



US00D827743S

(12) **United States Design Patent**  
**Chen et al.**

(10) **Patent No.:** **US D827,743 S**  
(45) **Date of Patent:** **\*\* Sep. 4, 2018**

(54) **GOLF CLUB HEAD**

(71) Applicant: **KARSTEN MANUFACTURING CORPORATION**, Phoenix, AZ (US)

(72) Inventors: **Xiaojian Chen**, Phoenix, AZ (US);  
**Ryan M. Stokke**, Anthem, AZ (US);  
**Calvin S. Wang**, Chandler, AZ (US)

(73) Assignee: **Karsten Manufacturing Corporation**, Phoenix, AZ (US)

(\*\*) Term: **15 Years**

(21) Appl. No.: **29/610,703**

(22) Filed: **Jul. 14, 2017**

(51) **LOC (11) Cl.** ..... **21-02**

(52) **U.S. Cl.**  
USPC ..... **D21/743**

(58) **Field of Classification Search**  
USPC ..... D21/736-746, 759  
CPC ..... A63B 53/00; A63B 53/04; A63B 53/007;  
A63B 53/065; A63B 53/0487; A63B  
60/00; A63B 60/46  
See application file for complete search history.

(56) **References Cited**

**U.S. PATENT DOCUMENTS**

D212,890 S	12/1968	Rose	
3,652,094 A	3/1972	Glover	
3,884,477 A	5/1975	Bianco	
4,030,766 A	6/1977	Derr	
D255,373 S *	6/1980	Solheim	..... D21/743
D303,276 S	9/1989	Oakleaf	
4,869,507 A	9/1989	Sahm	
D316,129 S	4/1991	Bryson	

(Continued)

**FOREIGN PATENT DOCUMENTS**

CN	2920325 Y	7/2007
CN	103252065 A	8/2013

(Continued)

**OTHER PUBLICATIONS**

Odyssey Works Tank Cruiser #1w, <http://www.pgatoursuperstore.com/odyssey-works-tank-cruiser-1w/1000000005200.jsp>, Date Accessed: Dec. 14, 2016.

(Continued)

*Primary Examiner* — Mitchell I. Siegel

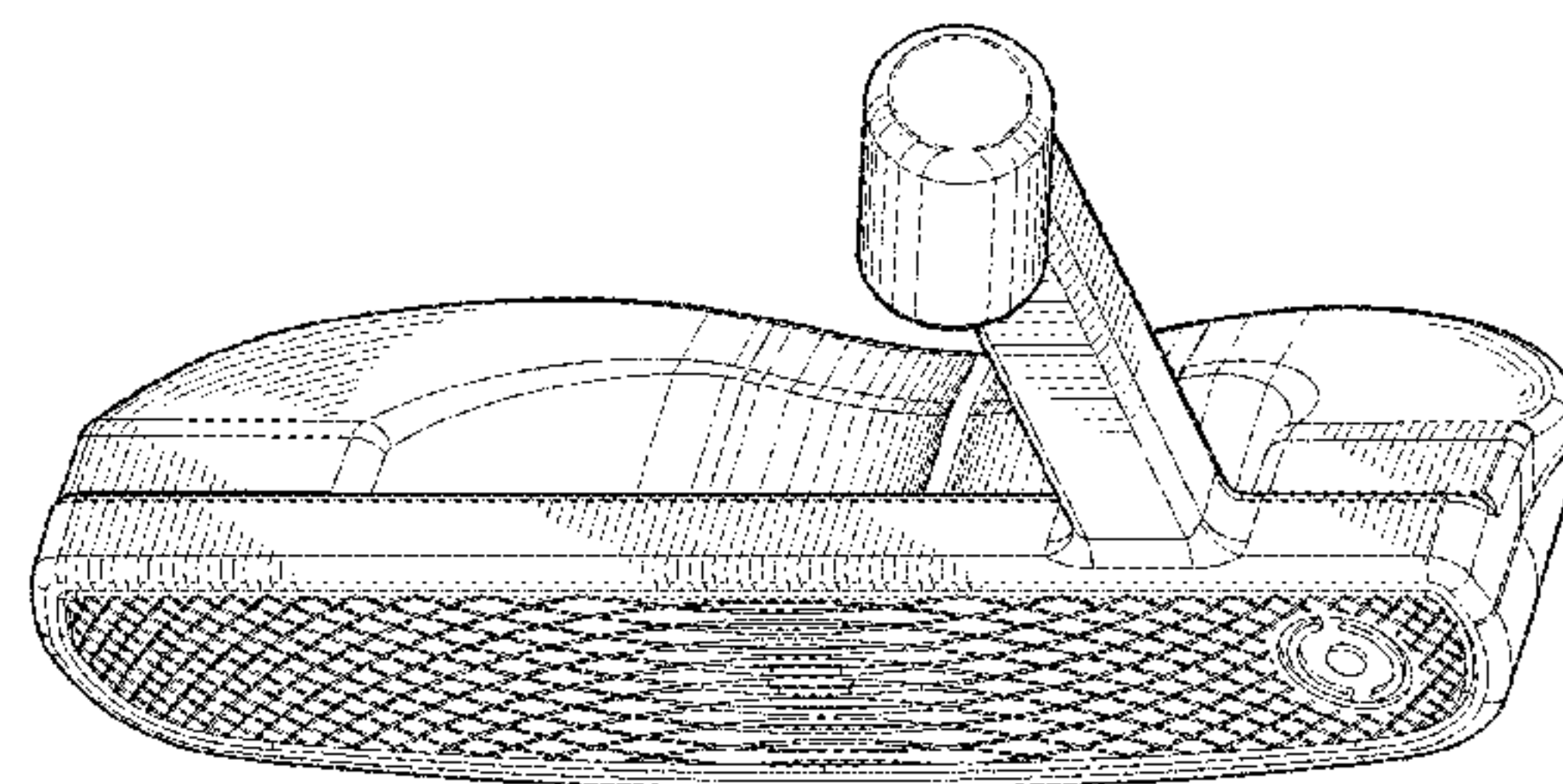
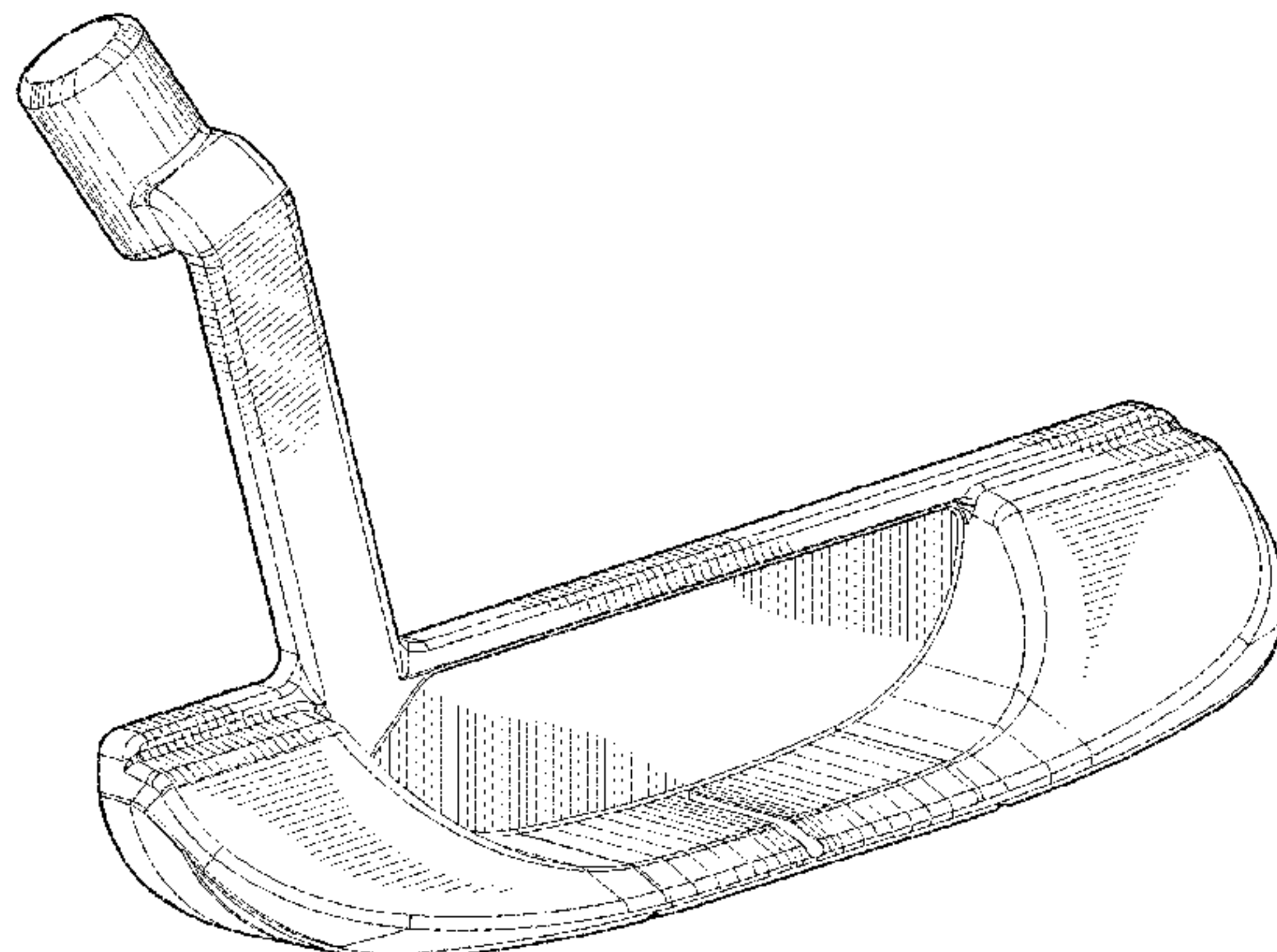
(57) **CLAIM**

The ornamental design for a golf club head, as shown and described.

**DESCRIPTION**

FIG. 1 is a front perspective view of a golf club head; FIG. 2 is a rear perspective view of the golf club head of FIG. 1; FIG. 3 is a front view of the golf club head of FIG. 1; FIG. 4 is a rear view of the golf club head of FIG. 1; FIG. 5 is a top view of the golf club head of FIG. 1; FIG. 6 is a bottom view of the golf club head of FIG. 1; FIG. 7 is a heel view of the golf club head of FIG. 1; FIG. 8 is a toe view of the golf club head of FIG. 1; FIG. 9 is a front perspective view of a second embodiment of the golf club head; FIG. 10 is a rear perspective view of the golf club head of FIG. 9; FIG. 11 is a front view of the golf club head of FIG. 9; FIG. 12 is a rear view of the golf club head of FIG. 9; FIG. 13 is a top view of the golf club head of FIG. 9; FIG. 14 is a bottom view of the golf club head of FIG. 9; FIG. 15 is a heel view of the golf club head of FIG. 9; and, FIG. 16 is a toe view of the golf club head of FIG. 9. The broken line showing is included for the purpose of illustrating unclaimed subject matter and forms no part of the claimed design.

**1 Claim, 8 Drawing Sheets**



(56)

References Cited

U.S. PATENT DOCUMENTS

D341,405 S 11/1993 Solheim  
 5,275,412 A 1/1994 Innes  
 5,685,784 A 11/1997 Butler  
 5,746,664 A 5/1998 Reynolds, Jr.  
 D396,081 S \* 7/1998 Sheets ..... D21/742  
 D396,258 S \* 7/1998 Sheets ..... D21/742  
 D402,343 S \* 12/1998 Helmstetter ..... D21/738  
 D420,079 S 2/2000 Frazetta  
 6,048,275 A 4/2000 Gedeon  
 D428,457 S 7/2000 Rollinson  
 6,159,108 A 12/2000 De La Pena  
 6,273,831 B1 8/2001 Dewanjee  
 6,379,259 B1 4/2002 Opie  
 6,558,268 B2 \* 5/2003 Tindale ..... A63B 53/0487  
 473/244  
 D488,526 S 4/2004 Souza  
 D500,109 S 12/2004 Solheim  
 D500,110 S 12/2004 Solheim  
 6,837,801 B1 1/2005 Souza  
 6,878,071 B1 4/2005 Schweiger  
 6,893,355 B2 5/2005 Souza  
 6,902,496 B2 6/2005 Solheim  
 D507,612 S 7/2005 Souza  
 6,926,615 B1 8/2005 Souza  
 D511,802 S \* 11/2005 Cameron ..... D21/744  
 6,960,140 B2 11/2005 Solheim  
 6,966,845 B2 11/2005 Solheim  
 D514,181 S \* 1/2006 Cameron ..... D21/738  
 D520,584 S 5/2006 Karlsen  
 D521,582 S 5/2006 Souza  
 7,052,411 B2 5/2006 Solheim  
 D522,598 S 6/2006 Solheim  
 7,077,758 B2 7/2006 Rohrer  
 7,086,957 B2 8/2006 Solheim  
 D527,777 S 9/2006 Solheim  
 D529,108 S 9/2006 Stites  
 D532,847 S 11/2006 Rollinson  
 D533,243 S 12/2006 Fife  
 7,235,021 B2 6/2007 Solheim  
 D548,295 S 8/2007 Jertson  
 7,255,650 B2 8/2007 Bryant  
 D552,197 S 10/2007 Wells  
 D565,137 S 3/2008 Oldknow  
 D569,462 S 5/2008 Rollinson  
 7,371,185 B1 5/2008 Rohrer  
 D574,910 S \* 8/2008 Jones ..... D21/743  
 D581,473 S 11/2008 Thomas  
 D583,003 S 12/2008 Solheim  
 D587,325 S 2/2009 Solheim  
 D595,372 S 6/2009 Rollinson  
 D600,760 S 9/2009 Serrano  
 D600,761 S 9/2009 Solheim  
 D600,762 S 9/2009 Serrano  
 7,601,076 B2 10/2009 Rollinson  
 D604,782 S 11/2009 Franklin  
 D607,950 S 1/2010 Souza

D621,458 S 8/2010 Serrano  
 D621,460 S 8/2010 Serrano  
 D621,461 S 8/2010 Serrano  
 D621,462 S 8/2010 Serrano  
 D621,891 S 8/2010 Serrano  
 7,803,066 B2 9/2010 Solheim  
 D624,978 S \* 10/2010 Rollinson ..... D21/743  
 7,815,515 B1 10/2010 Hunt  
 D635,625 S 4/2011 Rollinson  
 D638,891 S 5/2011 Nicolette  
 D640,341 S 6/2011 Foster et al.  
 D641,441 S \* 7/2011 Hilton ..... D21/743  
 D643,080 S 8/2011 Serrano  
 D643,485 S 8/2011 Nicolette  
 D643,486 S 8/2011 Serrano  
 D643,487 S 8/2011 Serrano  
 D644,703 S \* 9/2011 Serrano ..... D21/743  
 8,100,779 B2 1/2012 Solheim  
 D653,718 S 2/2012 Stokke  
 8,109,838 B2 2/2012 Solheim  
 8,128,505 B2 3/2012 Tryner et al.  
 D664,617 S 7/2012 Serrano  
 D720,022 S 12/2014 Rollinson  
 D720,023 S 12/2014 Rollinson  
 D759,172 S \* 6/2016 Rollinson ..... D21/743  
 6/2016 Rollinson  
 D769,996 S \* 10/2016 Abbott ..... D21/744  
 D796,599 S \* 9/2017 Serrano ..... D21/743  
 D796,601 S \* 9/2017 Serrano ..... D21/743  
 2003/0083149 A1 5/2003 Scarpa et al.  
 2005/0170904 A1 8/2005 Smeeth  
 2006/0089206 A1 4/2006 Lo  
 2006/0094533 A1 5/2006 Warren  
 2006/0166755 A1 7/2006 Brown  
 2007/0010348 A1 1/2007 Jung  
 2007/0191135 A1 8/2007 Nilsson  
 2008/0045353 A1 2/2008 Lo et al.  
 2008/0096686 A1 4/2008 Bikhu  
 2009/0270198 A1 10/2009 Solheim et al.  
 2009/0305806 A1 12/2009 Campadore et al.  
 2009/0305807 A1 12/2009 Solheim et al.  
 2010/0048321 A1 2/2010 Beach et al.  
 2010/0222155 A1 9/2010 Jones et al.  
 2010/0227704 A1 9/2010 Souza  
 2012/0115628 A1 5/2012 Woods  
 2014/0179459 A1 6/2014 Schartiger et al.  
 2015/0360099 A1 12/2015 Ban et al.

FOREIGN PATENT DOCUMENTS

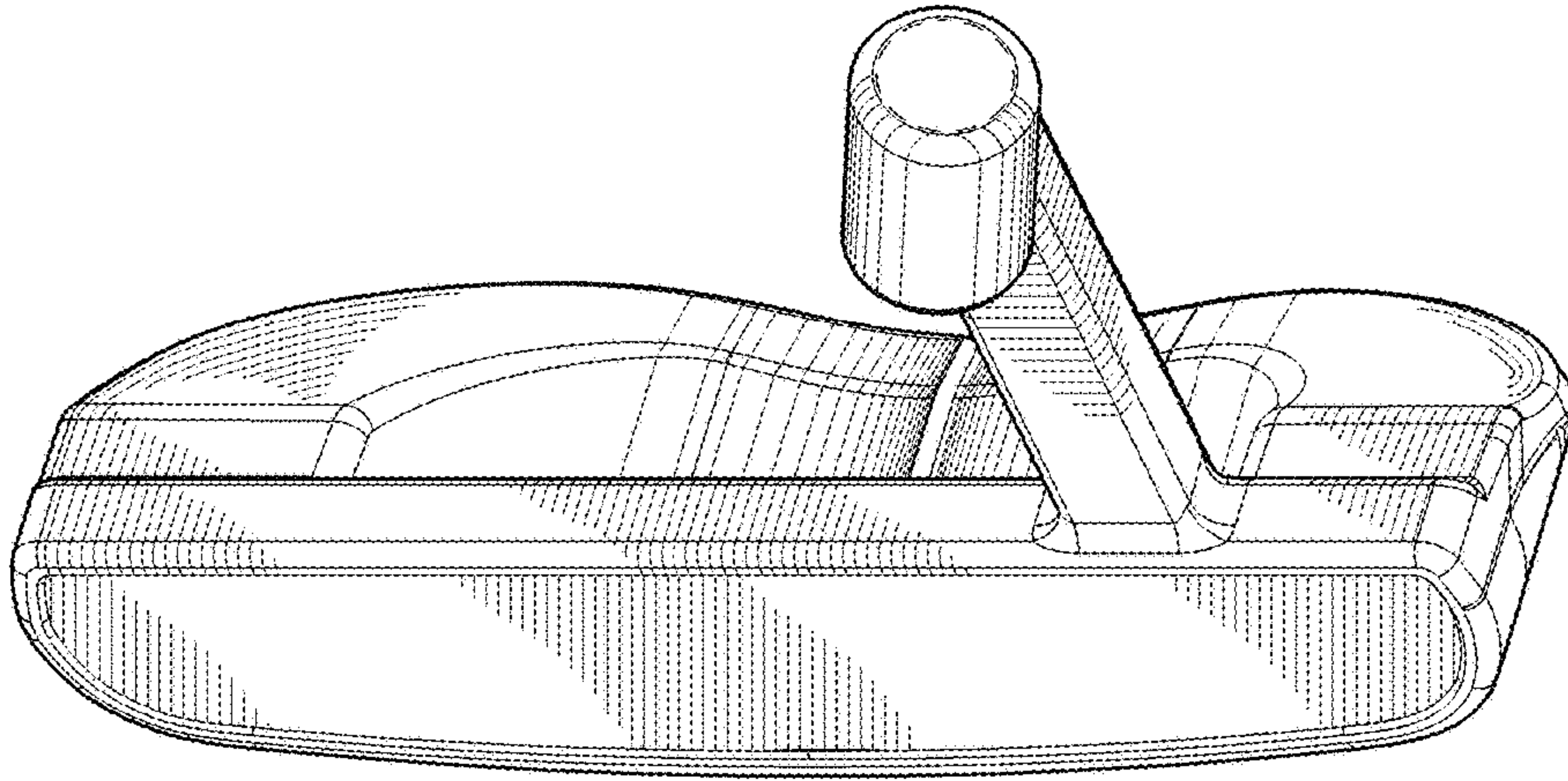
GB 2133295 A 7/1984  
 JP 2001137400 A 5/2001

OTHER PUBLICATIONS

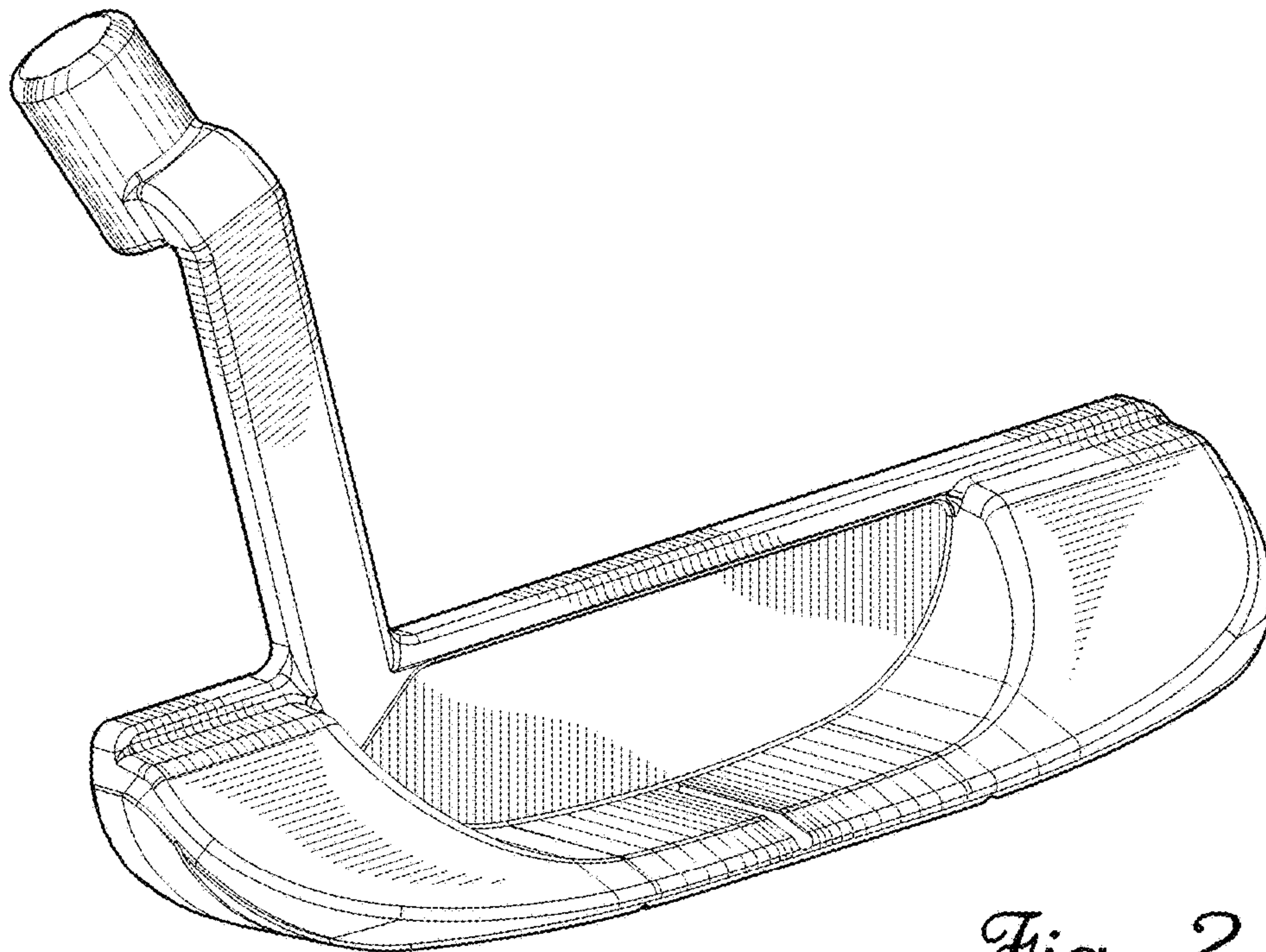
Cx1, <http://cureputters.com/products/cx1> , Date Accessed: Dec. 13, 2016.

\* cited by examiner

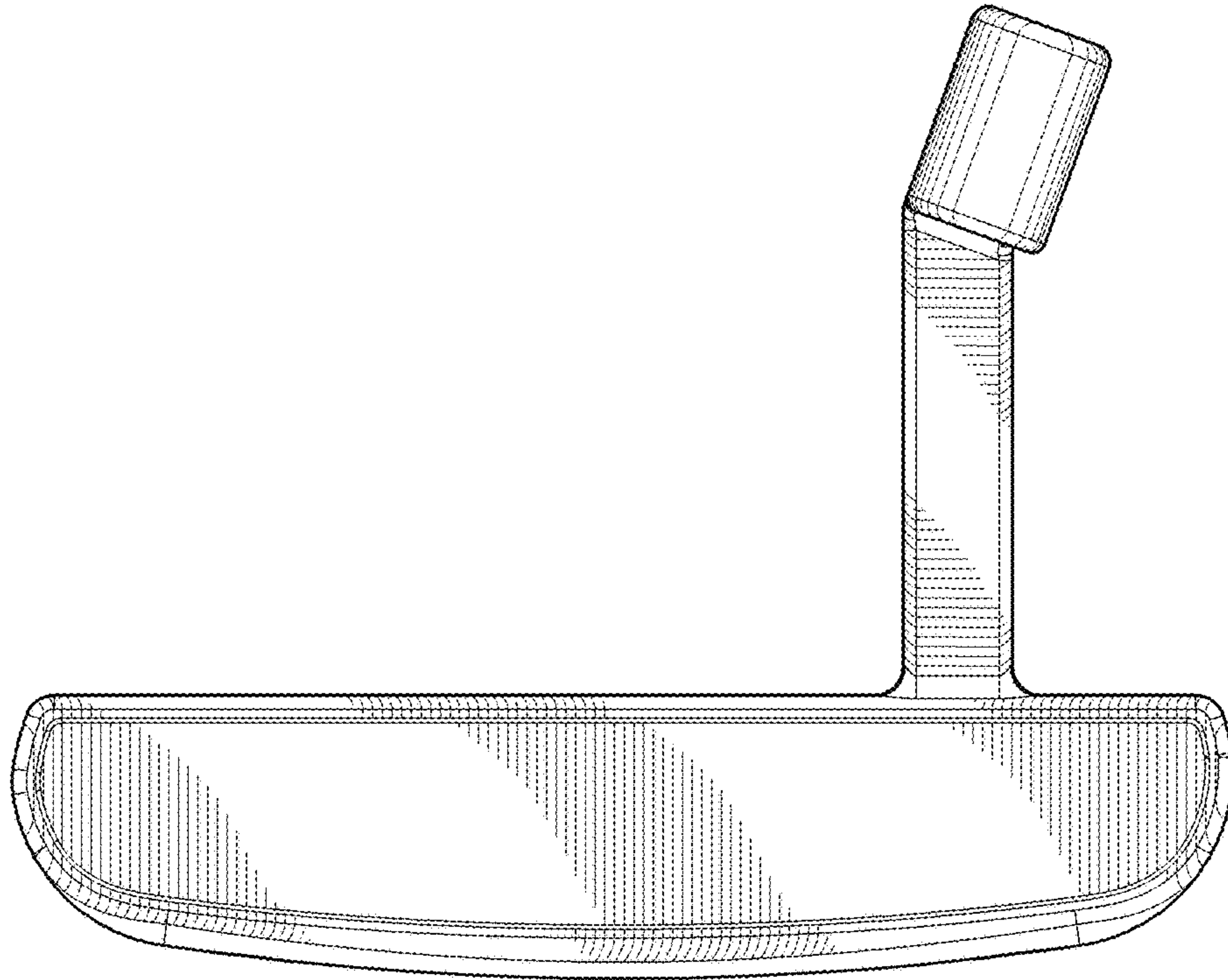




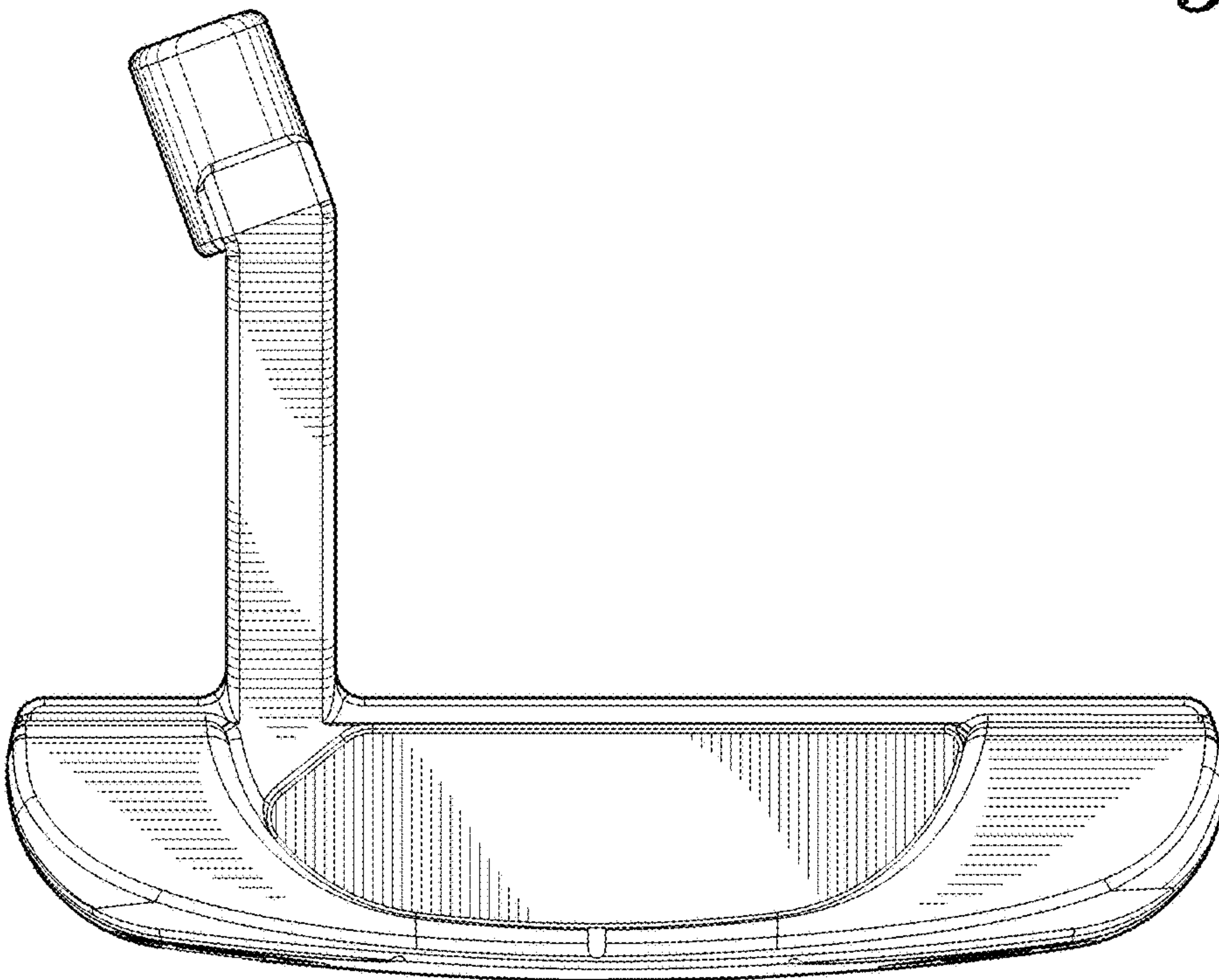
*Fig. 1*



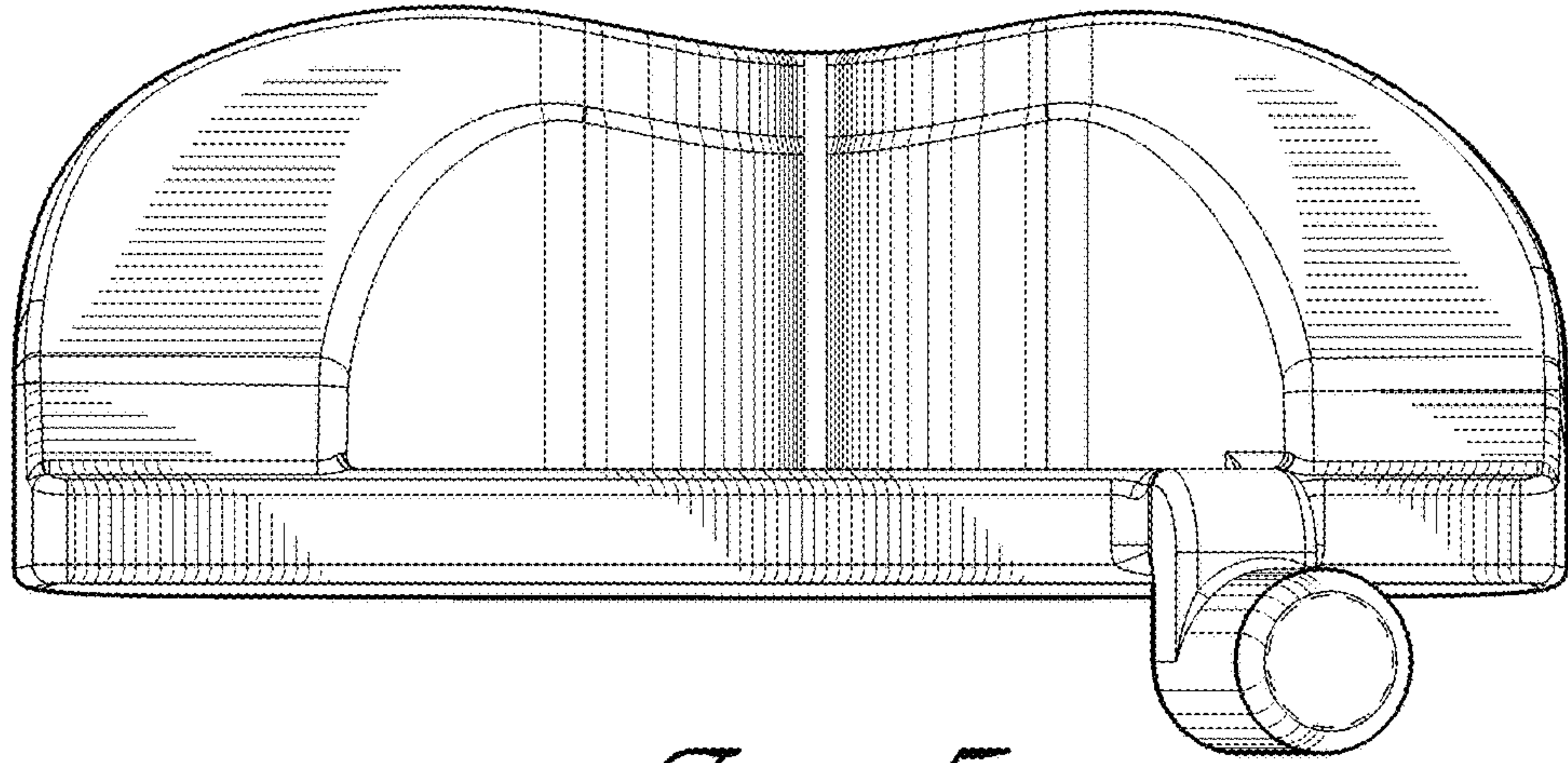
*Fig. 2*



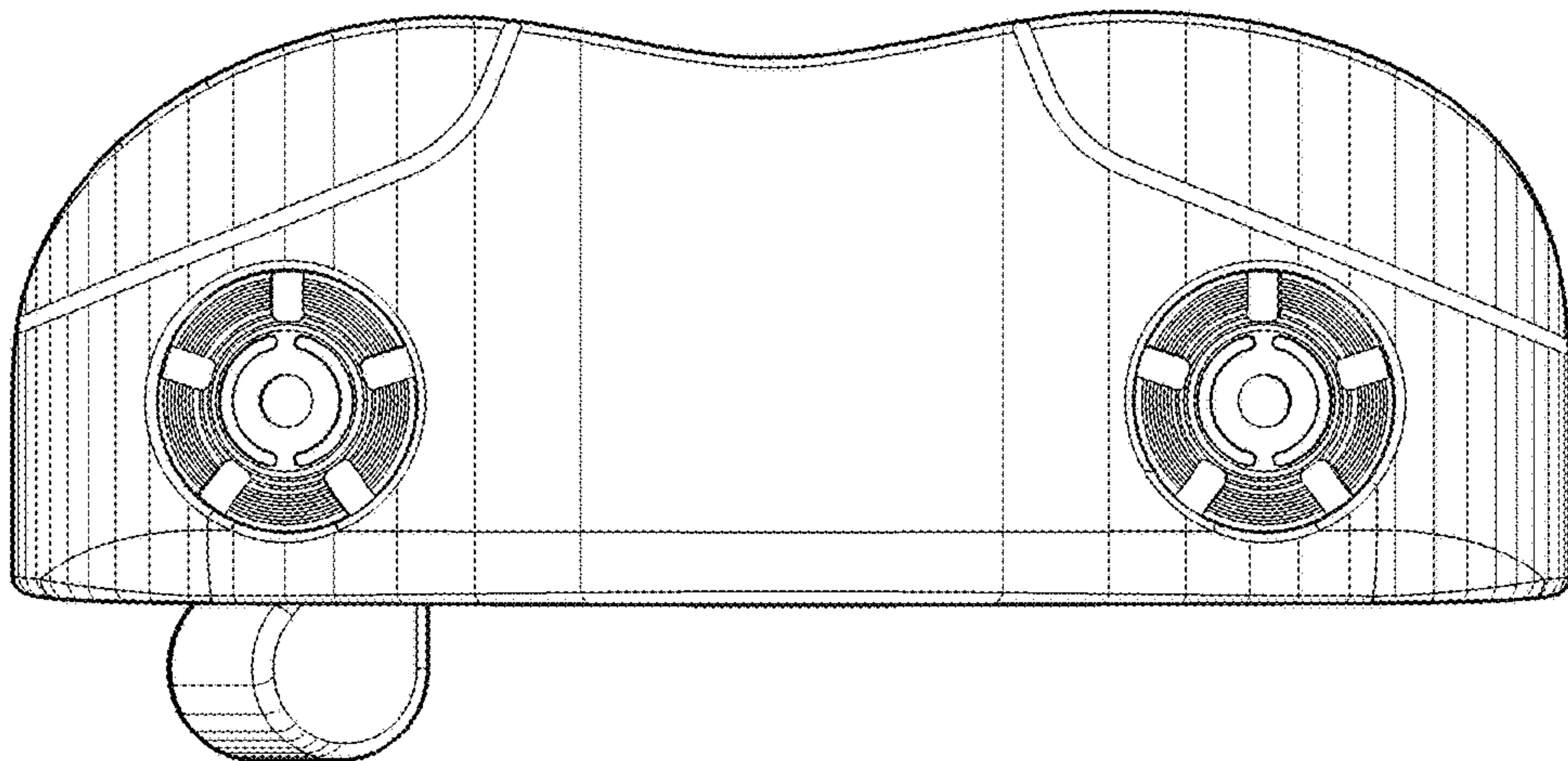
*Fig. 3*



*Fig. 4*

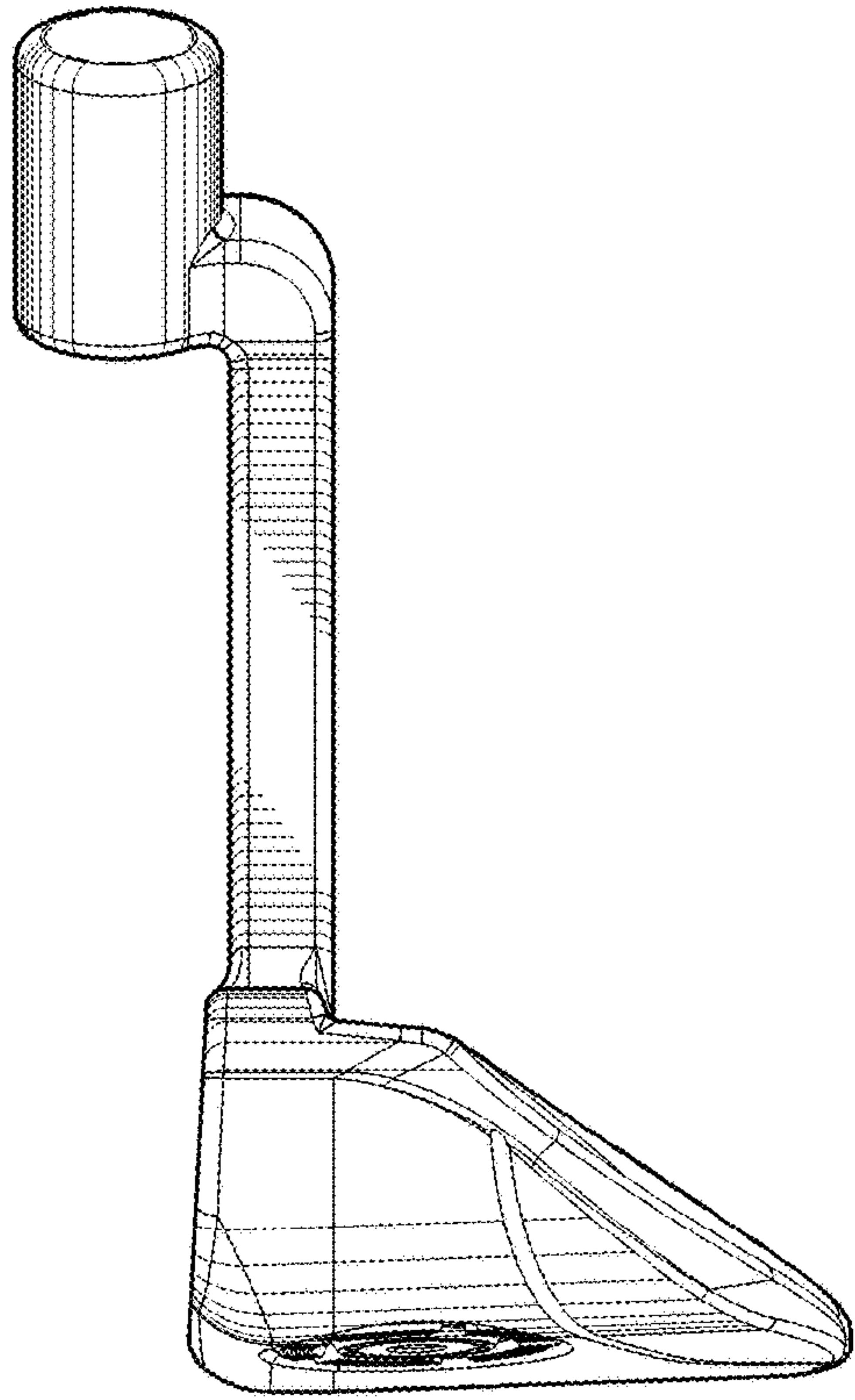


*Fig. 5*

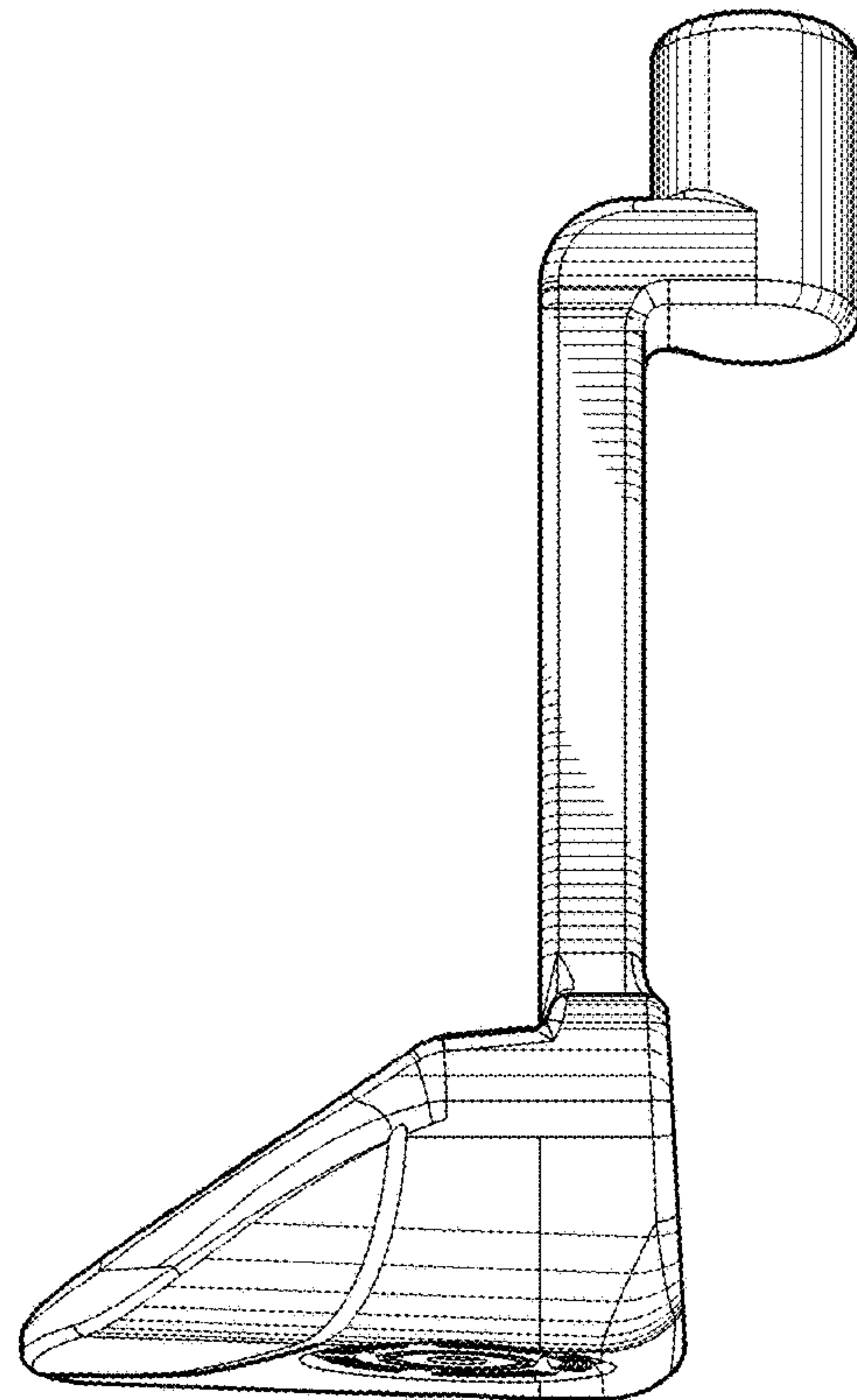


*Fig. 6*

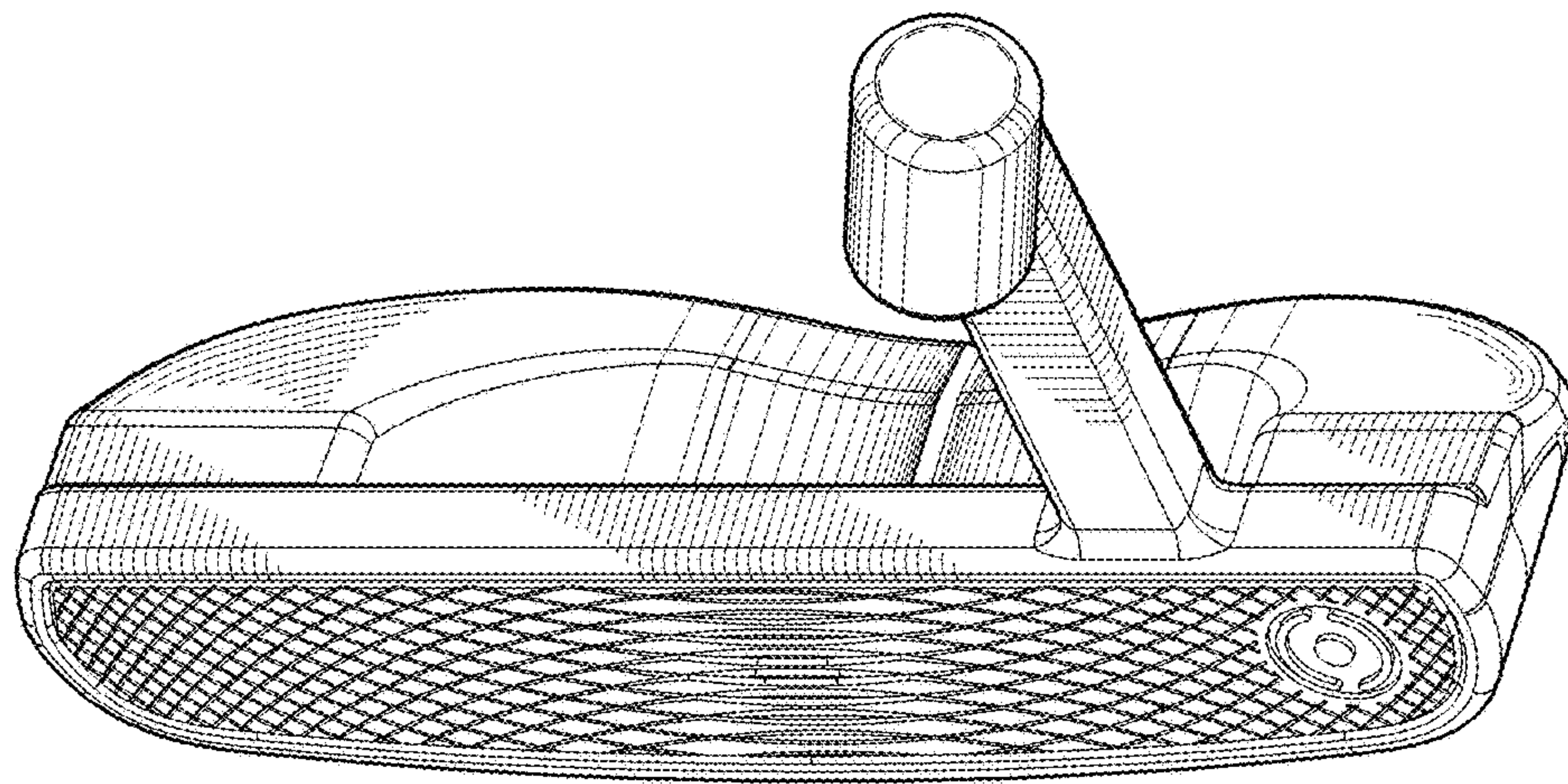




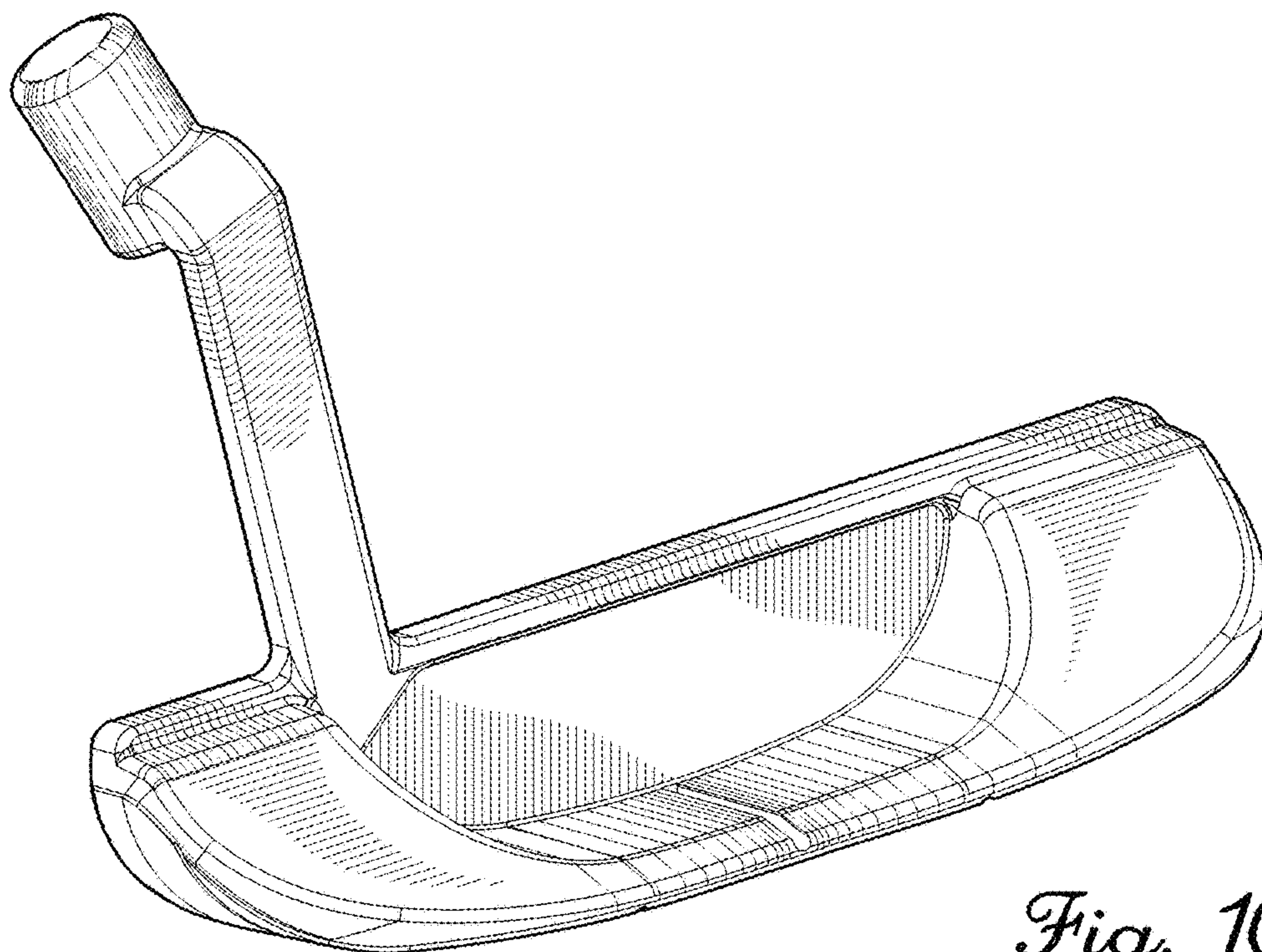
*Fig. 7*



*Fig. 8*

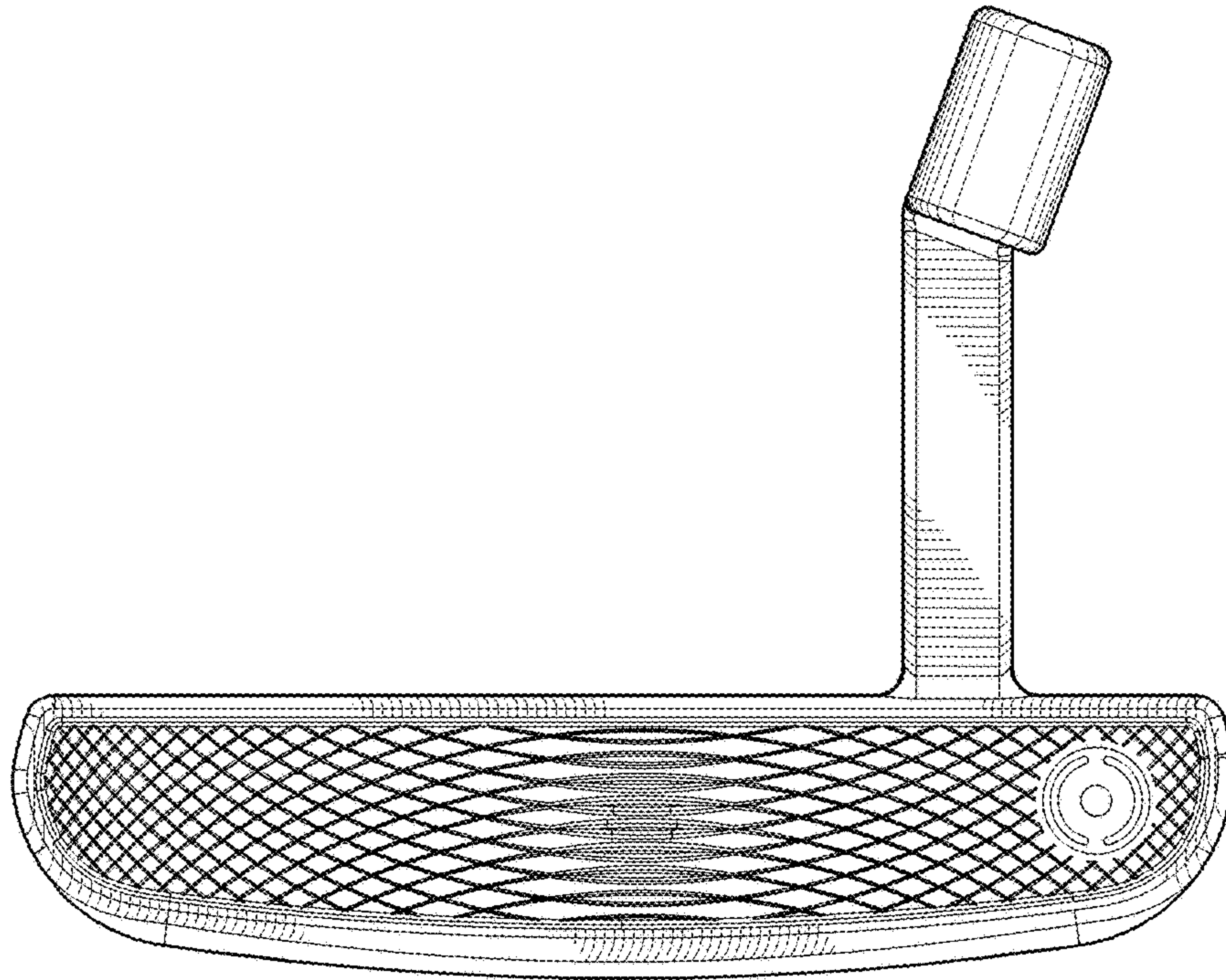


*Fig. 9*

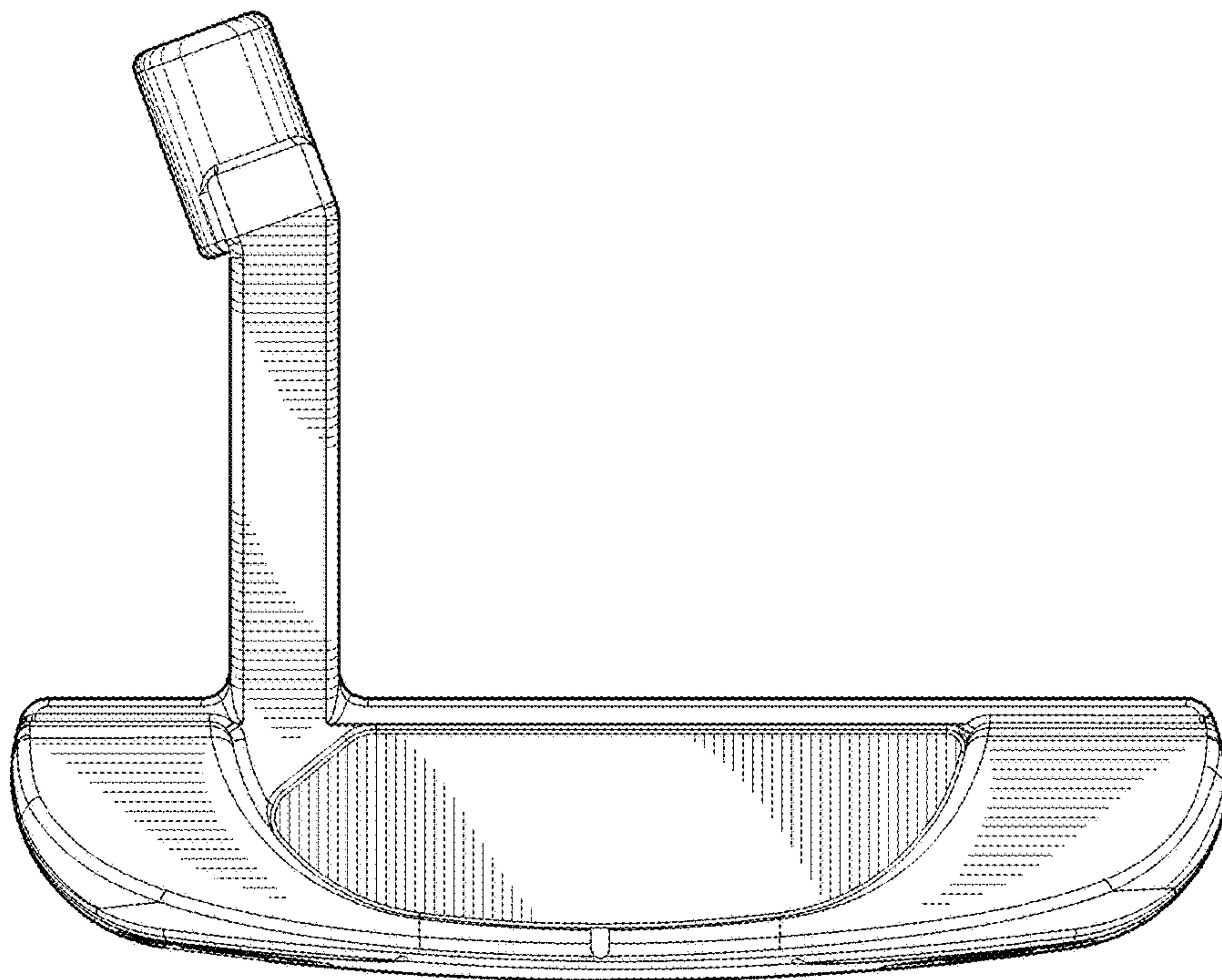


*Fig. 10*



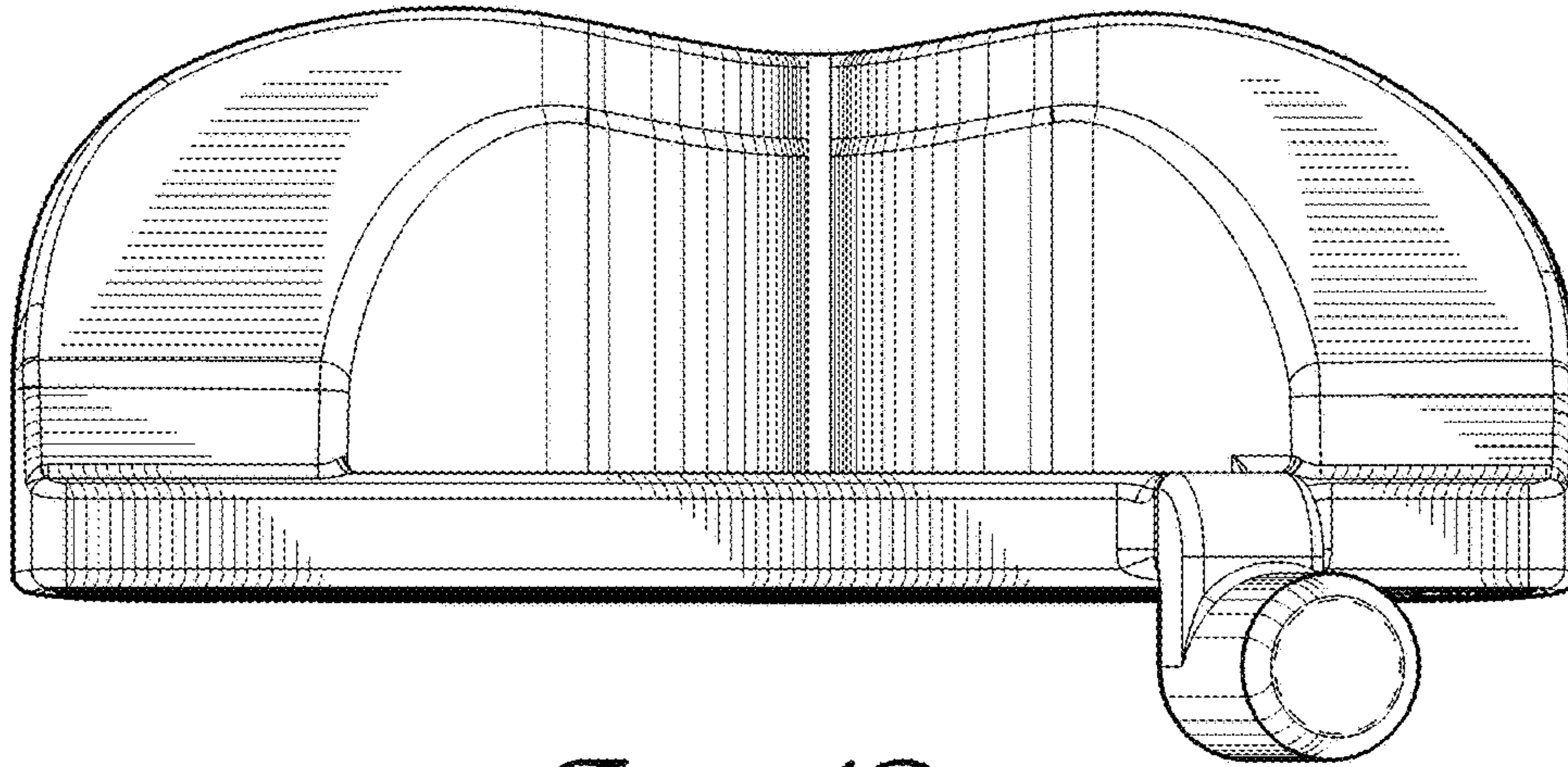


*Fig. 11*

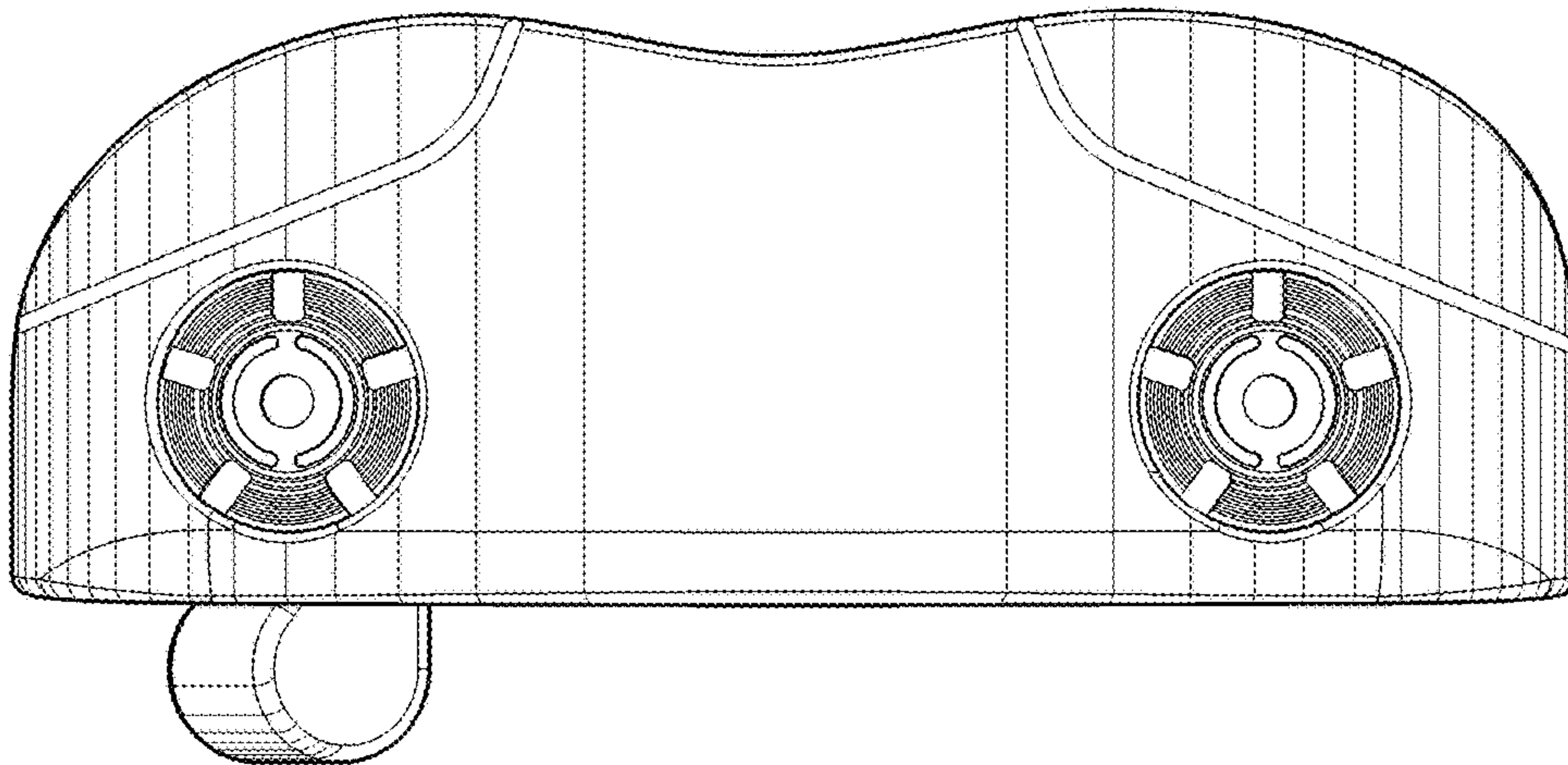


*Fig. 12*

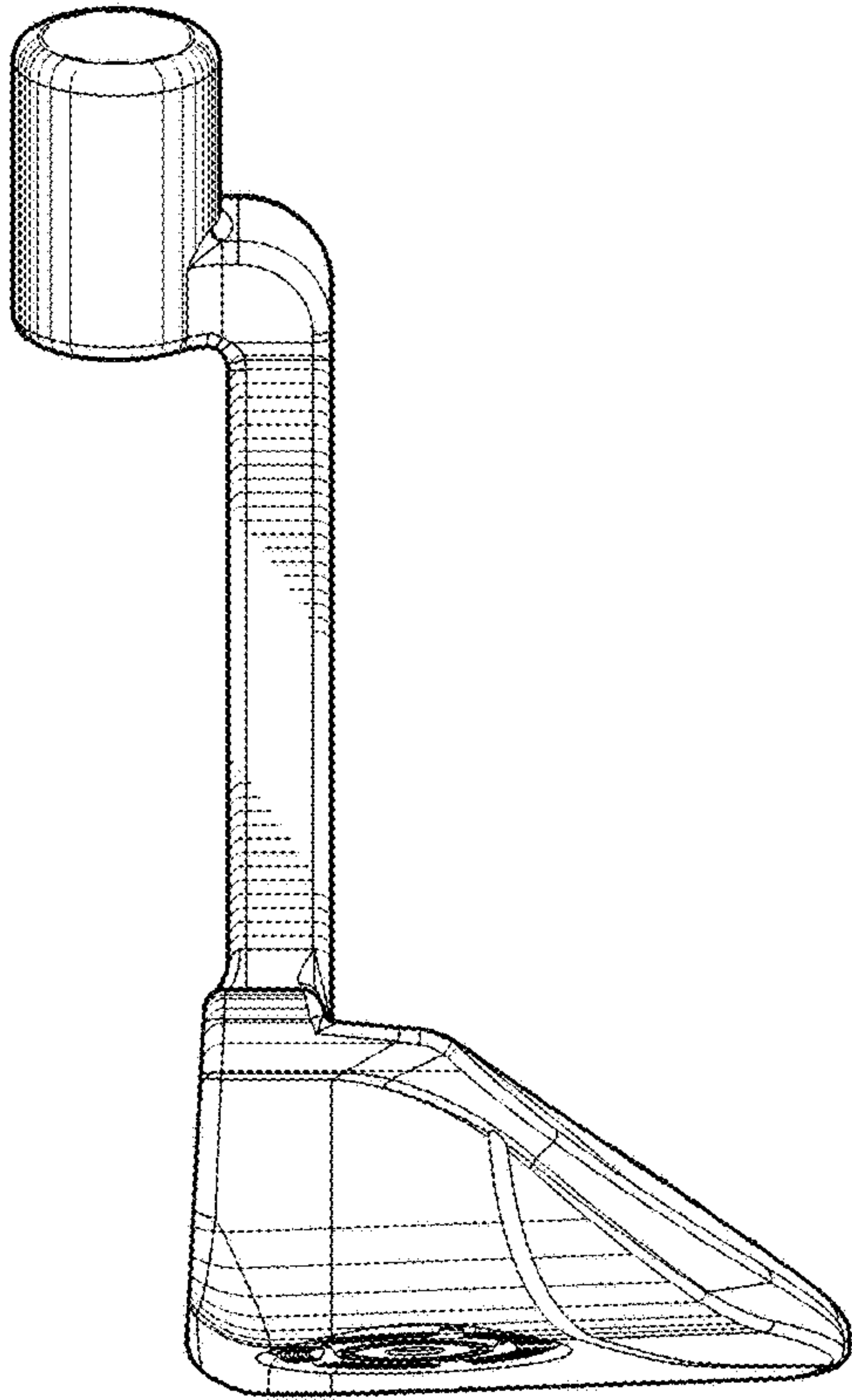




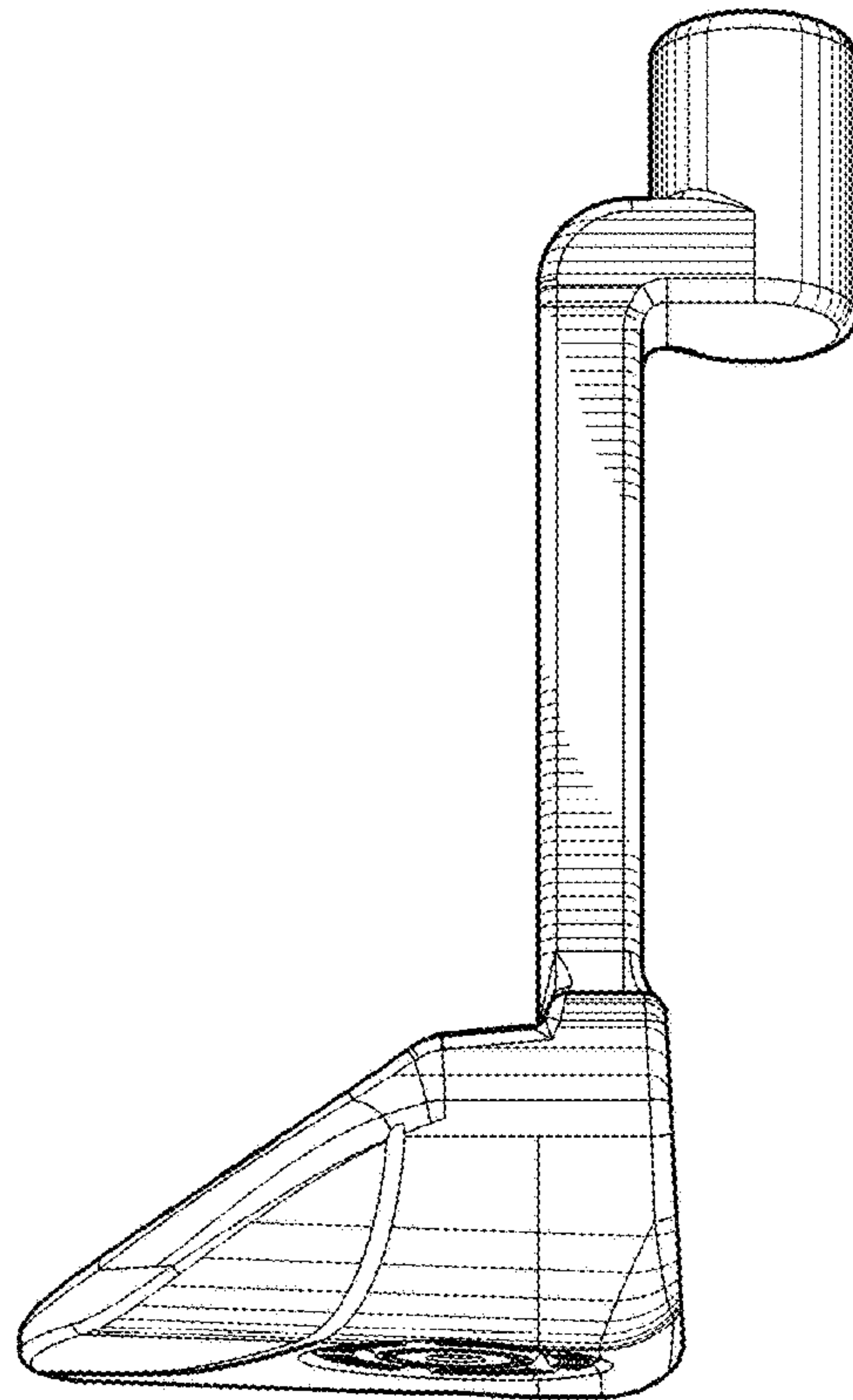
*Fig. 13*



*Fig. 14*



*Fig. 15*



*Fig. 16*