



US00D827740S

(12) **United States Design Patent**  
**Withers**

(10) **Patent No.:** **US D827,740 S**  
(45) **Date of Patent:** **\*\* Sep. 4, 2018**

(54) **PITCHING MACHINE BALL HOLDER**

(71) Applicant: **Gregory W. Withers**, Bethalto, IL (US)

(72) Inventor: **Gregory W. Withers**, Bethalto, IL (US)

(73) Assignee: **BALLBOY PRO, LLC**

(\*\*) Term: **15 Years**

(21) Appl. No.: **29/561,239**

(22) Filed: **Apr. 14, 2016**

(51) **LOC (11) Cl.** ..... **21-02**

(52) **U.S. Cl.**

USPC ..... **D21/715; D21/720; D6/552**

(58) **Field of Classification Search**

USPC ..... D21/300-303, 312-323, 385, 392, 393, D21/698, 715, 720, 722, 723, 753, 780, D21/781, 782-784, 785, 788, 789, 796, D21/799.1, 799.2; D6/512, 515, D6/517-520, 522, 523, 552, 553, 567, D6/572, 573, 574, 675, 675.4, 678, 678.3, D6/683, 683.1, 705; D8/372, 373, 376, D8/380; D23/267; D25/112, 164; D30/121, 131; D3/257, 304, 305; D11/156; 473/21, 22, 132, 134, 106-114, 473/415, 417, 418, 420, 422, 428, 431, 473/432, 433, 436, 438, 447, 451, 453, 473/459, 460, 468, 470, 472, 474, 475, 473/503, 569; 221/283, 285; 211/14, 211/59.2, 88.01, 107, 112, 126.1, 126.16, 211/133.4, 133.6; 220/475, 480, 482  
CPC ..... A63B 47/00; A63B 47/002; A63B 47/007; A63B 47/02; A63B 2047/004; A63B 69/0002; A63B 69/0073; A63B 69/0075; A63B 69/40; A63B 69/406; A63B 69/408; A63B 69/409; A63B 2069/0004; A63B 2069/0006; A63B 2069/0008; A63B 2069/401; A63B 2069/402; A63B

2069/403; A63B 2069/404; A63B 2069/405; A63B 71/0036; A63B 71/0045; A63B 2225/68

See application file for complete search history.

(56) **References Cited**

U.S. PATENT DOCUMENTS

D238,085 S *	12/1975	Kitson	.....	D30/131
D291,342 S *	8/1987	Turnidge	.....	D21/720
4,913,427 A *	4/1990	Wilson	.....	A63B 24/0021
				473/432
5,066,010 A *	11/1991	Pingston	.....	A63B 47/002
				124/1
5,087,039 A *	2/1992	Laseke	.....	A63B 69/0002
				473/417
5,292,119 A *	3/1994	Norcross	.....	A63B 43/004
				124/49

(Continued)

*Primary Examiner* — Catherine A Tuttle

(74) *Attorney, Agent, or Firm* — Grace J. Fishel

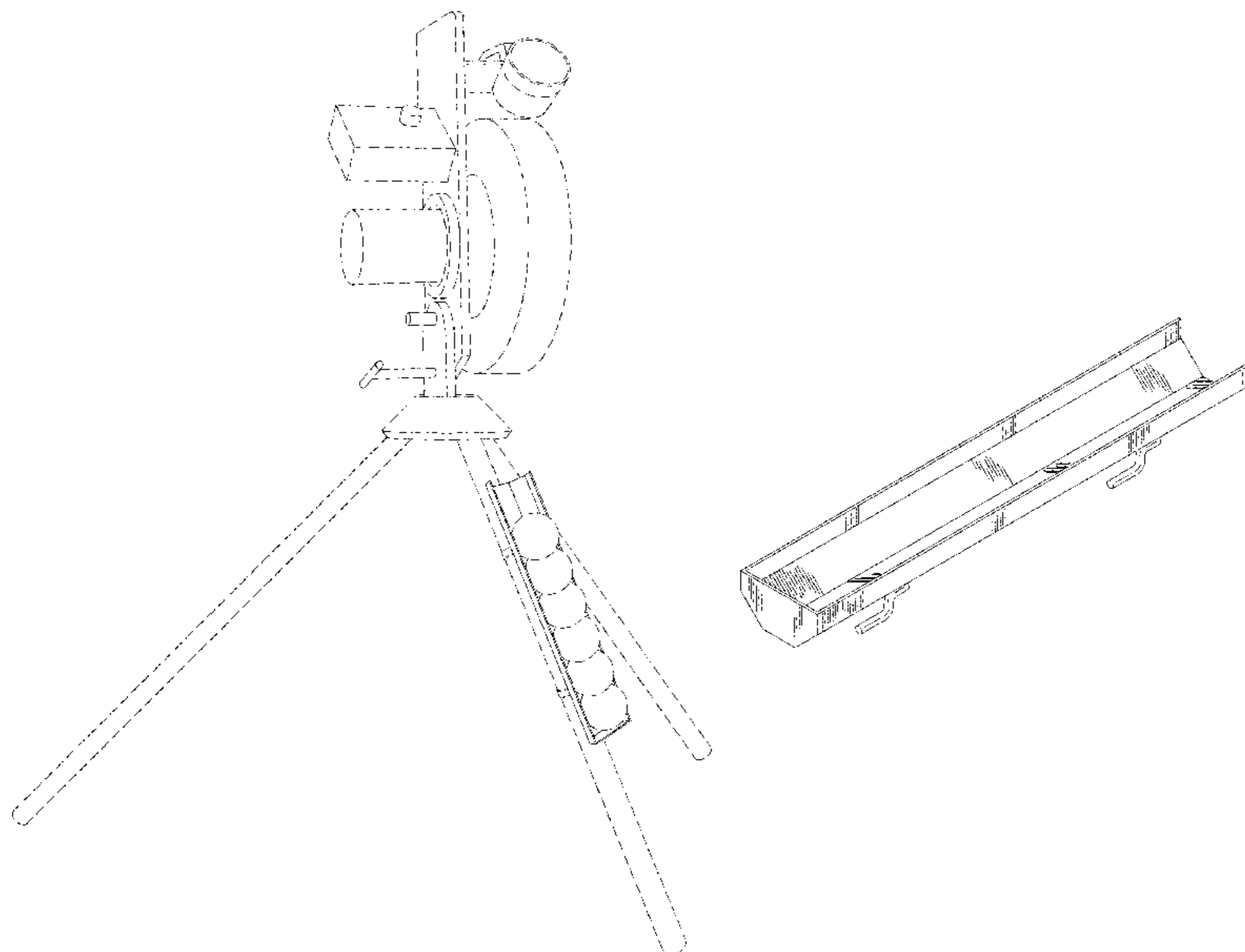
(57) **CLAIM**

The ornamental design for a pitching machine ball holder, as shown and described.

**DESCRIPTION**

FIG. 1 is a perspective view of a pitching machine ball holder showing my new design in use;  
FIG. 2 is a perspective view thereof;  
FIG. 3 is a top plan view thereof;  
FIG. 4 is a right side view thereof, the left side view being a mirror image;  
FIG. 5 is a closed end view thereof;  
FIG. 6 is an open end view thereof; and,  
FIG. 7 is a bottom plan view thereof.  
The pitching machine, balls and hose clamps shown in broken lines in FIG. 1 denote the nature and environmental use of the design and form no part of the claimed design.

**1 Claim, 3 Drawing Sheets**



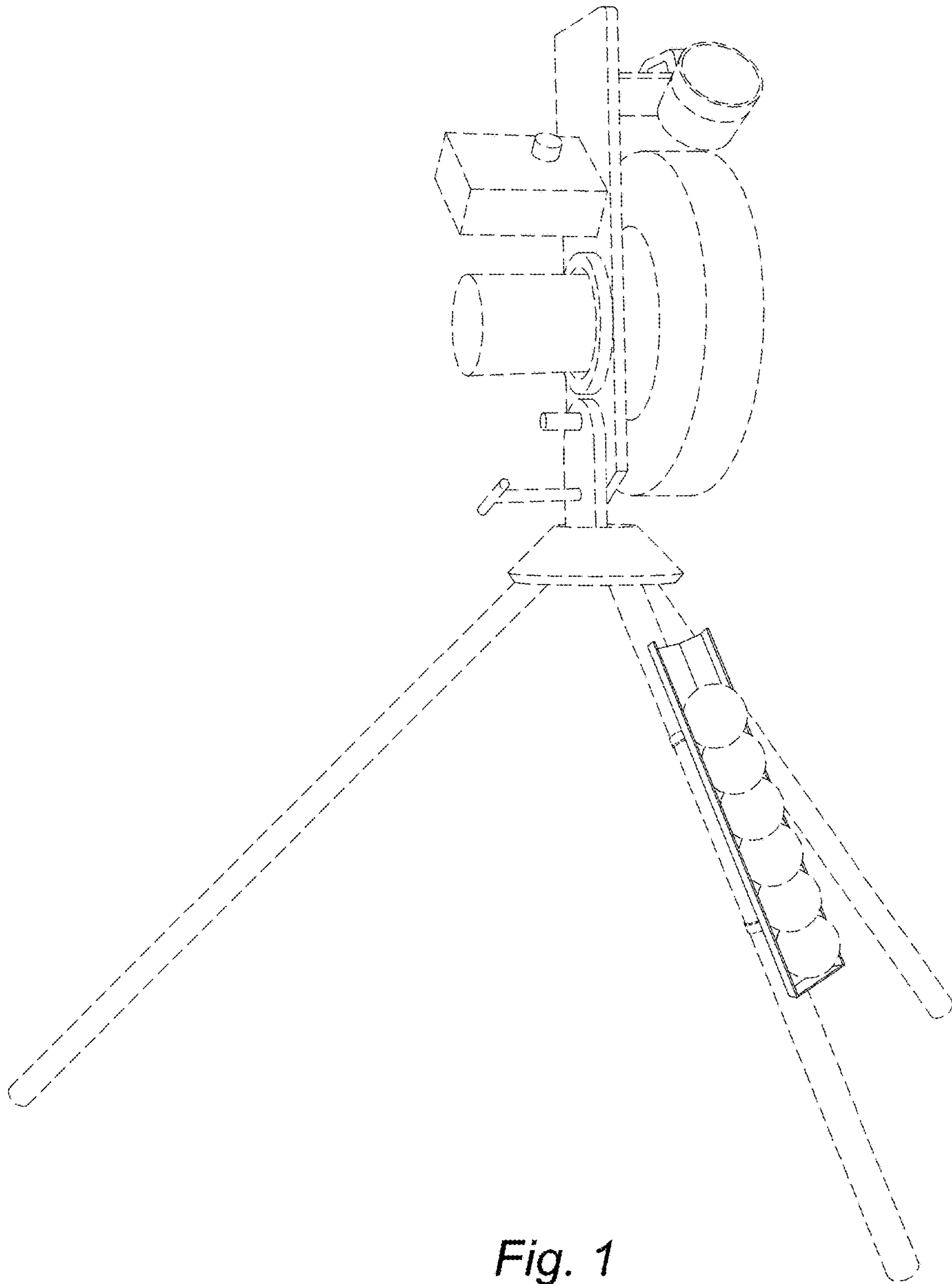
(56)

**References Cited**

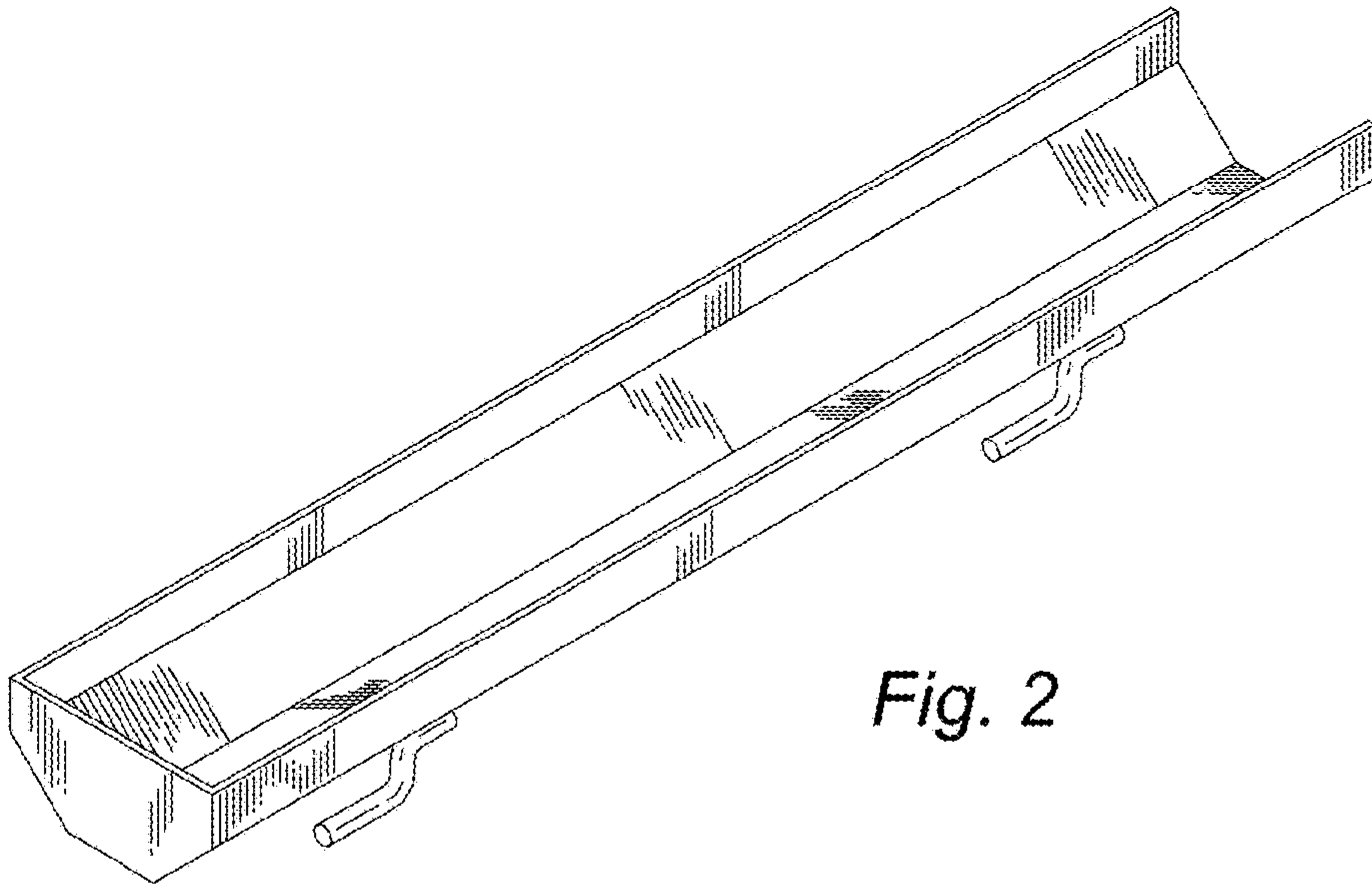
## U.S. PATENT DOCUMENTS

D348,709 S \* 7/1994 Leps ..... D21/720  
5,472,189 A \* 12/1995 Pfeiffer ..... A63B 47/002  
221/155  
6,267,461 B1 \* 7/2001 Dunagan ..... A63B 47/00  
220/345.1  
D540,409 S \* 4/2007 Martin ..... D21/720  
D543,757 S \* 6/2007 White ..... D6/552  
D565,338 S \* 4/2008 St. Peter ..... D6/552  
7,398,888 B1 \* 7/2008 Nowak ..... A63B 71/0036  
206/315.9  
D600,962 S \* 9/2009 St. Peter ..... D6/552  
D636,198 S \* 4/2011 Gibbs ..... D6/513  
7,958,880 B1 \* 6/2011 Mashburn ..... A63B 69/0002  
124/65  
D769,642 S \* 10/2016 Holton ..... D6/552  
D769,643 S \* 10/2016 Holton ..... D6/553  
2004/0038756 A1 \* 2/2004 Brophy ..... A63B 69/38  
473/451  
2004/0192456 A1 \* 9/2004 Wyeth ..... A63B 47/002  
473/134  
2009/0288969 A1 \* 11/2009 Winn ..... A63B 71/0045  
206/315.1  
2009/0301452 A1 \* 12/2009 Lay ..... A63B 69/406  
124/6  
2012/0149504 A1 \* 6/2012 Miller ..... A63B 69/38  
473/459  
2014/0305420 A1 \* 10/2014 Deese ..... A63B 69/406  
124/78  
2016/0256751 A1 \* 9/2016 Barandao ..... A63B 47/002

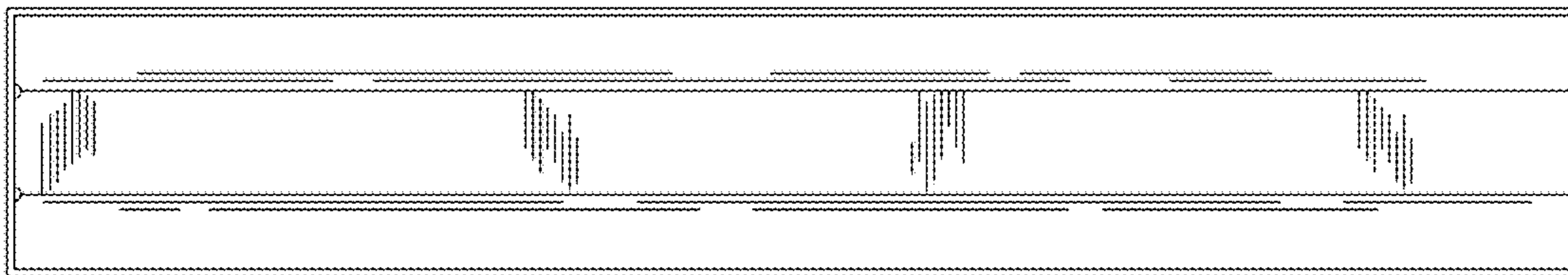
\* cited by examiner



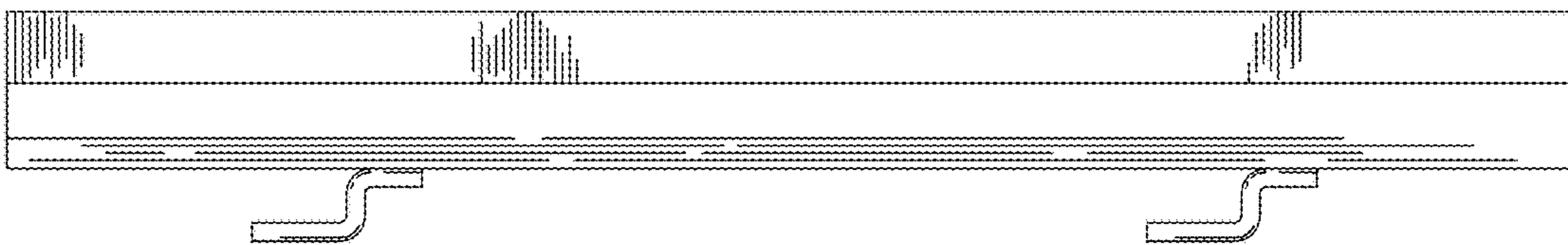
*Fig. 1*



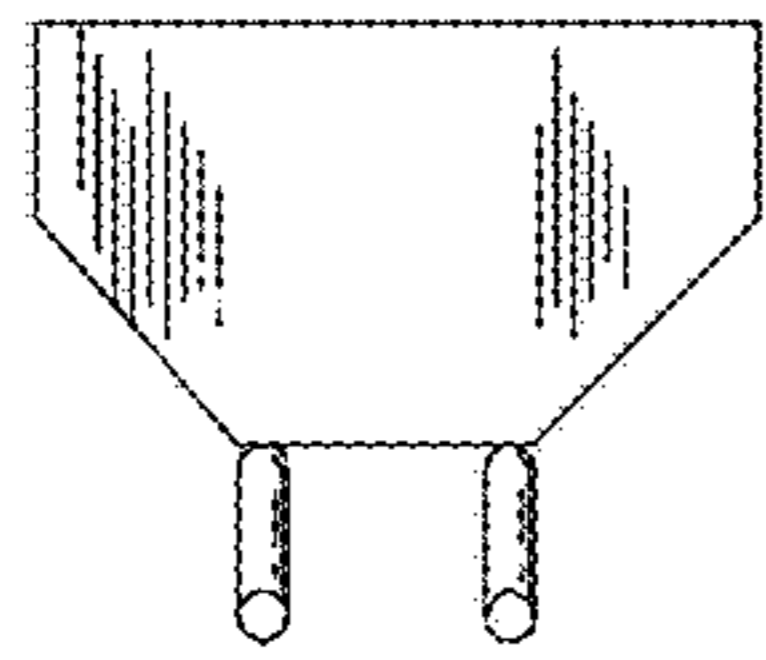
*Fig. 2*



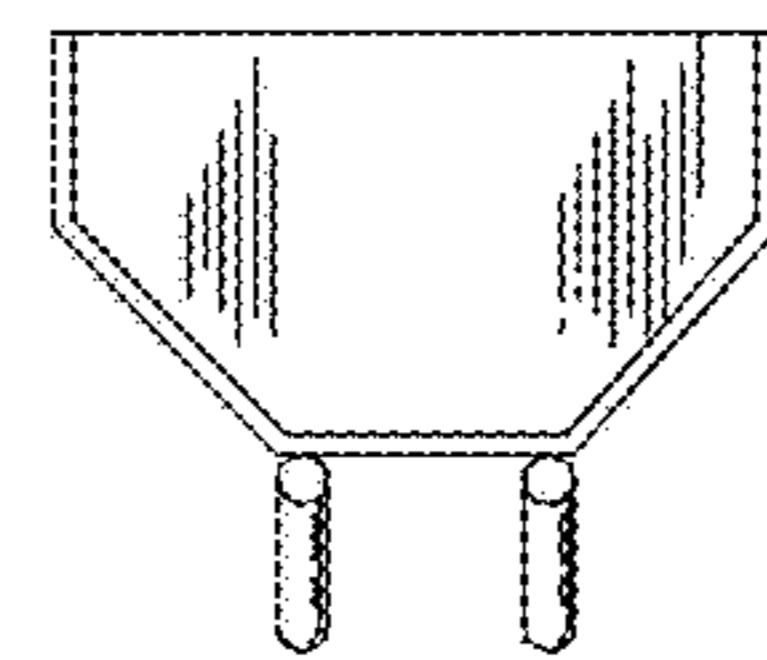
*Fig. 3*



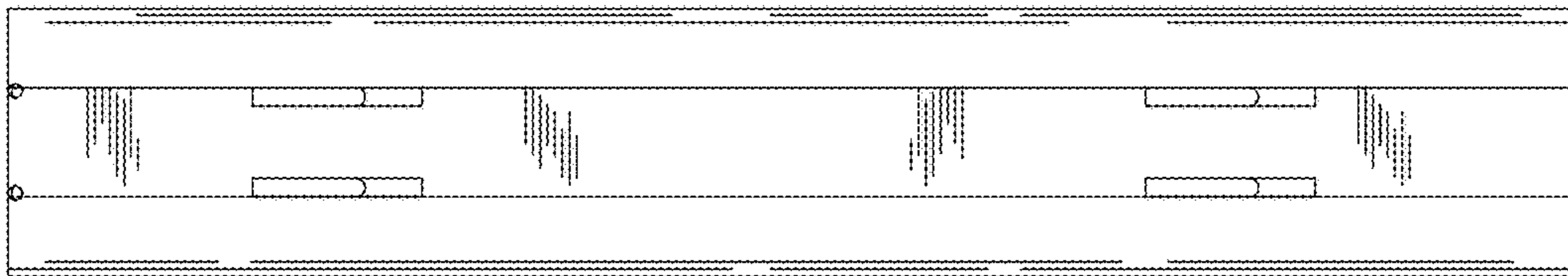
*Fig. 4*



*Fig. 5*



*Fig. 6*



*Fig. 7*