

US00D827739S

(12) **United States Design Patent** (10) **Patent No.:** **US D827,739 S**  
**Bagumyan et al.** (45) **Date of Patent:** **\*\* Sep. 4, 2018**

(54) **FIELD GOAL**

(71) Applicant: **Magic Jump, Inc.**, Sun Valley, CA (US)

(72) Inventors: **Sarmen Bagumyan**, Sun Valley, CA (US); **Arthur Bagumyan**, Sun Valley, CA (US); **Andranik Andy Bagumyan**, Sun Valley, CA (US)

(\*\*) Term: **15 Years**

(21) Appl. No.: **29/611,520**

(22) Filed: **Jul. 21, 2017**

(51) **LOC (11) Cl.** ..... **21-02**

(52) **U.S. Cl.**  
USPC ..... **D21/699**

(58) **Field of Classification Search**  
USPC ..... D21/699, 702, 705, 706, 708, 712, 718, D21/722, 788, 790, 797, 811, 814, 820, D21/824, 835, 836; D6/332, 345.358, D6/359, 391, 392, 688.1, 707.13, 21, 22, D6/45, 63; 472/116, 117; 482/35, 36; 446/126; 206/501  
CPC ..... E04H 15/20; E04H 2015/201; E06B 9/02; E06B 9/04; E06B 7/32; E06B 9/0607; A63G 31/12

See application file for complete search history.

(56) **References Cited**

**U.S. PATENT DOCUMENTS**

D353,426 S \* 12/1994 Amram ..... D21/705  
5,669,855 A \* 9/1997 Dunn, Jr. .... A63B 9/00  
482/35  
D422,667 S \* 4/2000 Lau ..... D21/814  
D460,141 S \* 7/2002 Gourchounian ..... D21/820  
D511,363 S \* 11/2005 Nicholson ..... D21/818  
D590,459 S \* 4/2009 Caswell ..... D21/705

D595,802 S \* 7/2009 Boulton ..... D21/835  
D639,886 S \* 6/2011 Cirjak ..... D21/811  
D649,209 S \* 11/2011 Silvi ..... D21/705  
D680,184 S \* 4/2013 O'Rourke ..... D21/835  
D744,053 S \* 11/2015 Cirjak ..... D21/835  
D805,142 S \* 12/2017 Metcalfe ..... D21/699  
9,861,901 B1 \* 1/2018 Pierzynski ..... A63G 31/12  
9,919,229 B1 \* 3/2018 Bagumyan ..... A63G 31/12  
2005/0284031 A1 \* 12/2005 Chen ..... A63G 31/12  
52/2.11  
2015/0315808 A1 \* 11/2015 Cronk ..... E04H 15/34  
135/121

**OTHER PUBLICATIONS**

“Field Goal Challenge”, pulished May 18, 2017 [online], [retrived May 8, 2018]. Retreived from internet: <https://www.youtube.com/watch?v=te--naJuXU8>.\*

\* cited by examiner

*Primary Examiner* — Barbara Fox  
*Assistant Examiner* — Mehri F Bajoul  
(74) *Attorney, Agent, or Firm* — Not Just Patents LLC;  
Wendy S. Peterson

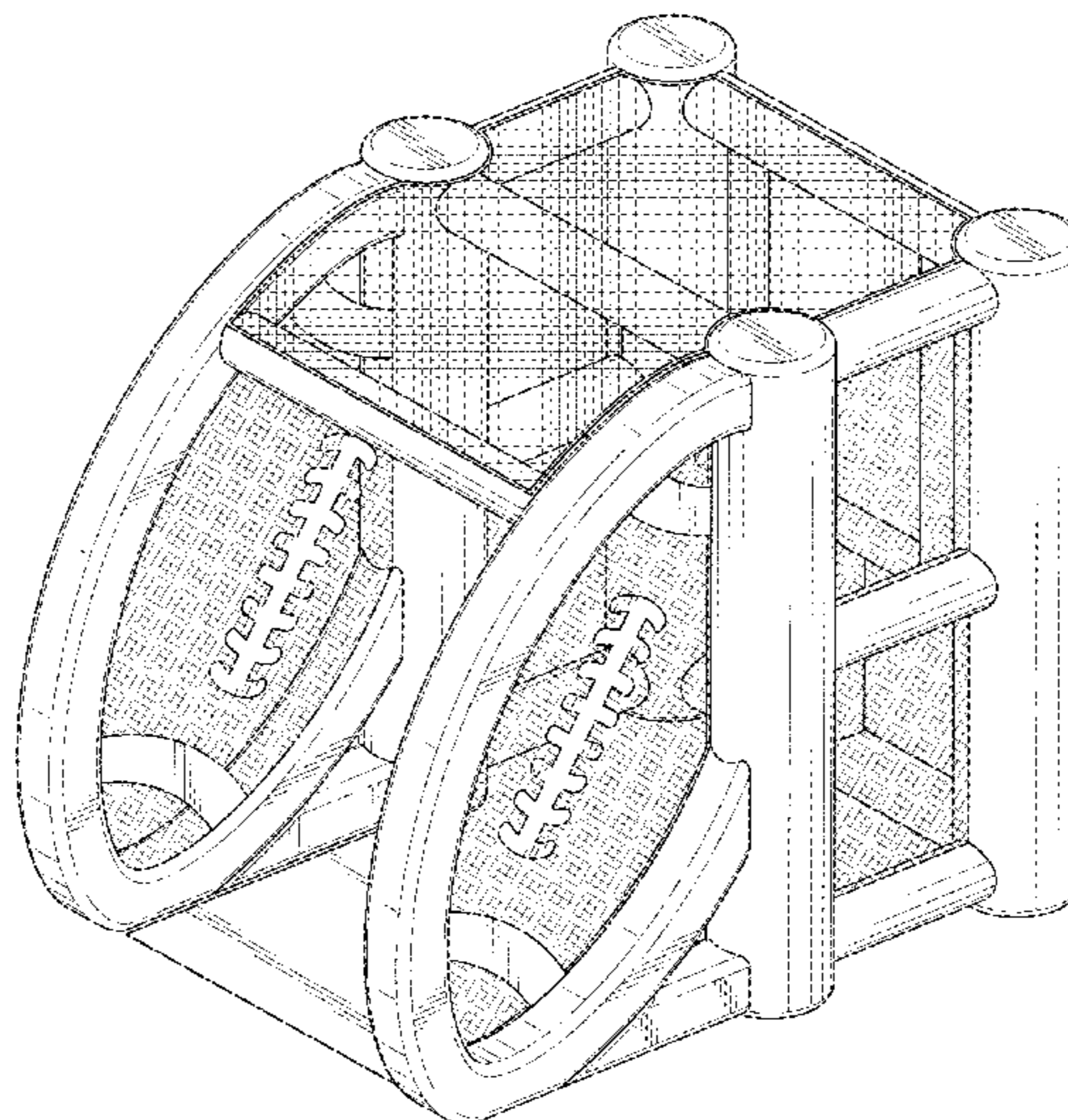
(57) **CLAIM**

The ornamental design for a field goal, as shown.

**DESCRIPTION**

FIG. 1 is a top, front, right perspective view of a field goal showing our new design;  
FIG. 2 is a right view thereof;  
FIG. 3 is a left view thereof;  
FIG. 4 is a top view thereof;  
FIG. 5 is a bottom view thereof;  
FIG. 6 is a back view thereof; and,  
FIG. 7 is a front view thereof.

**1 Claim, 6 Drawing Sheets**



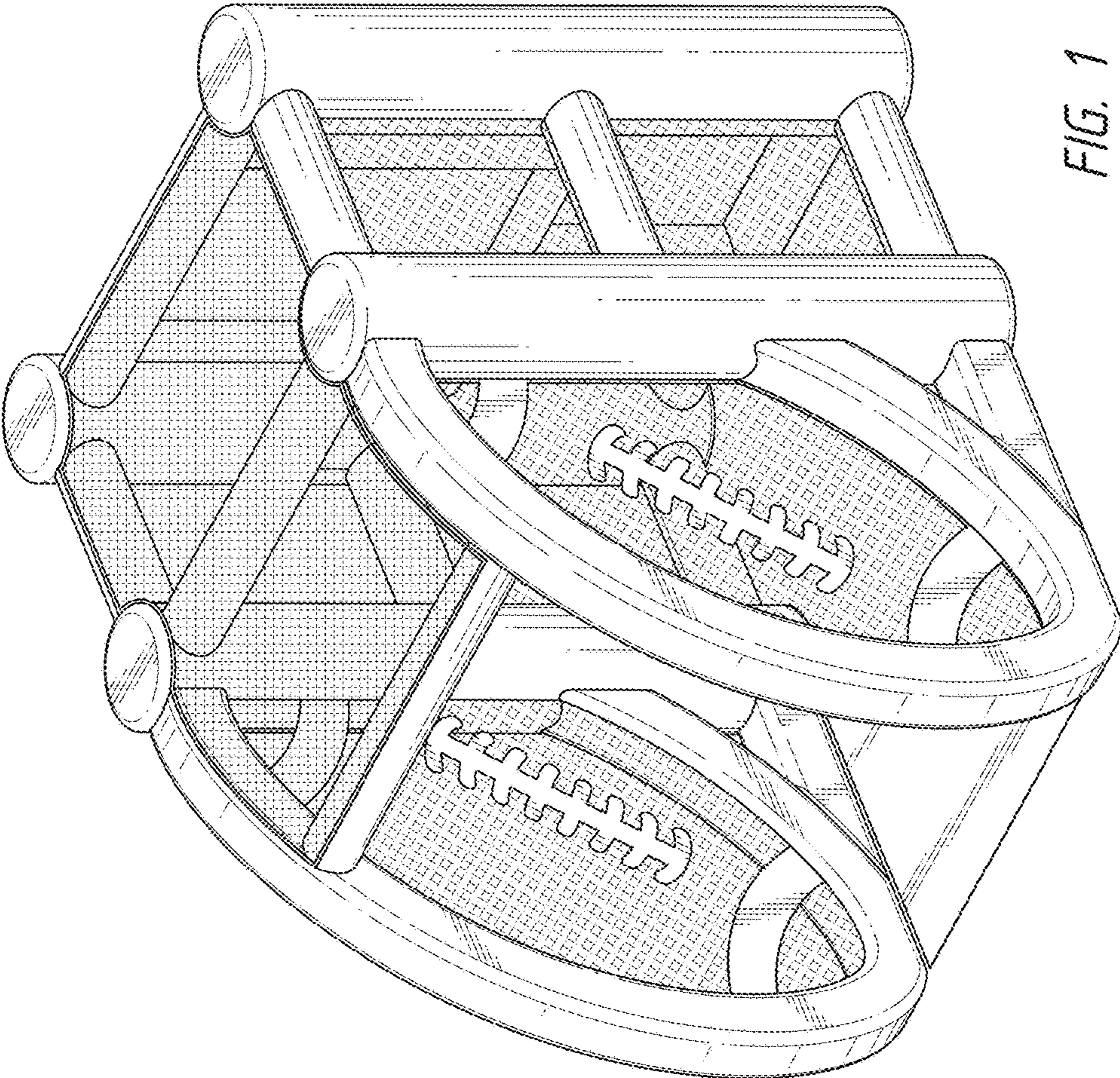


FIG. 1



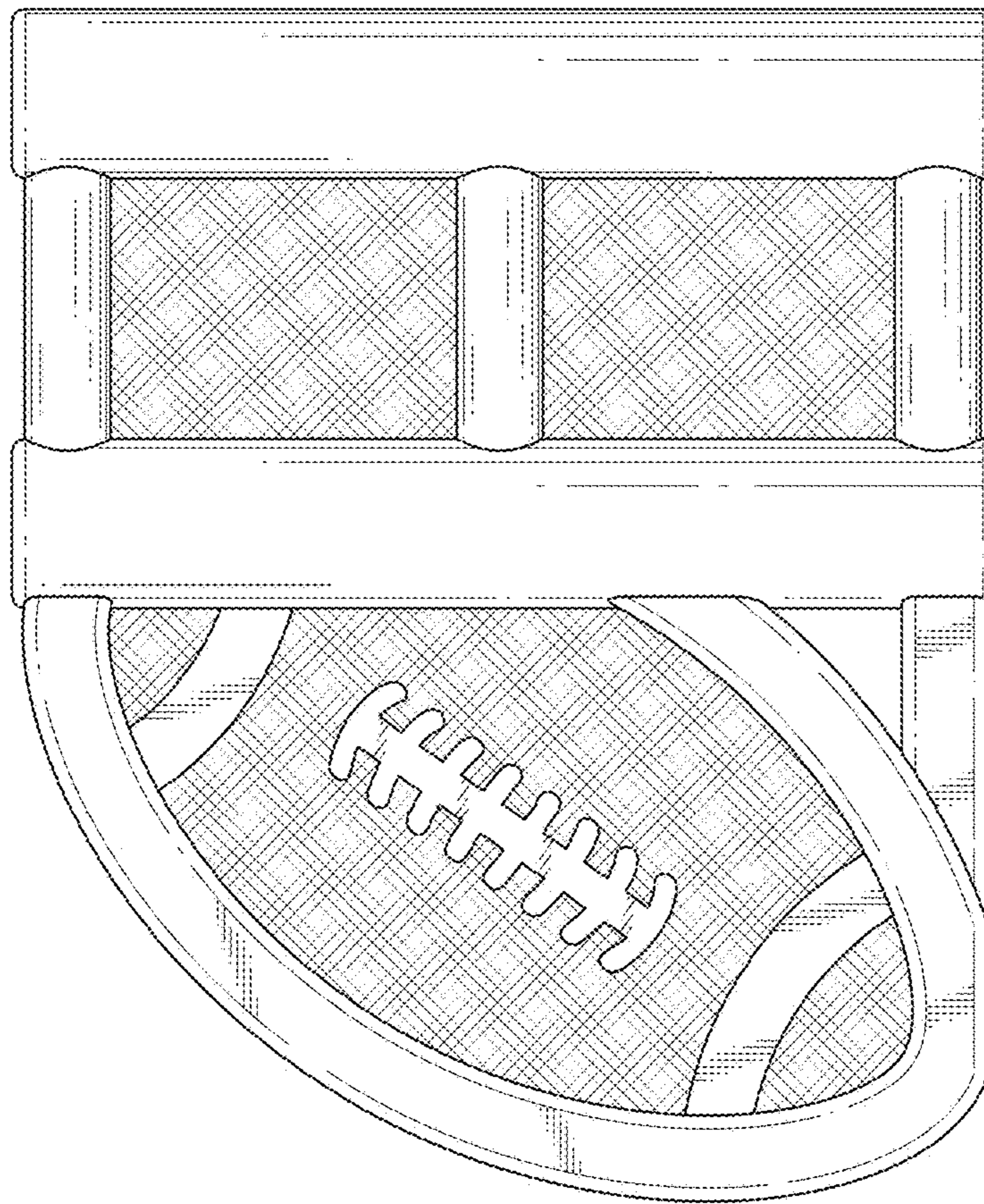


FIG. 2

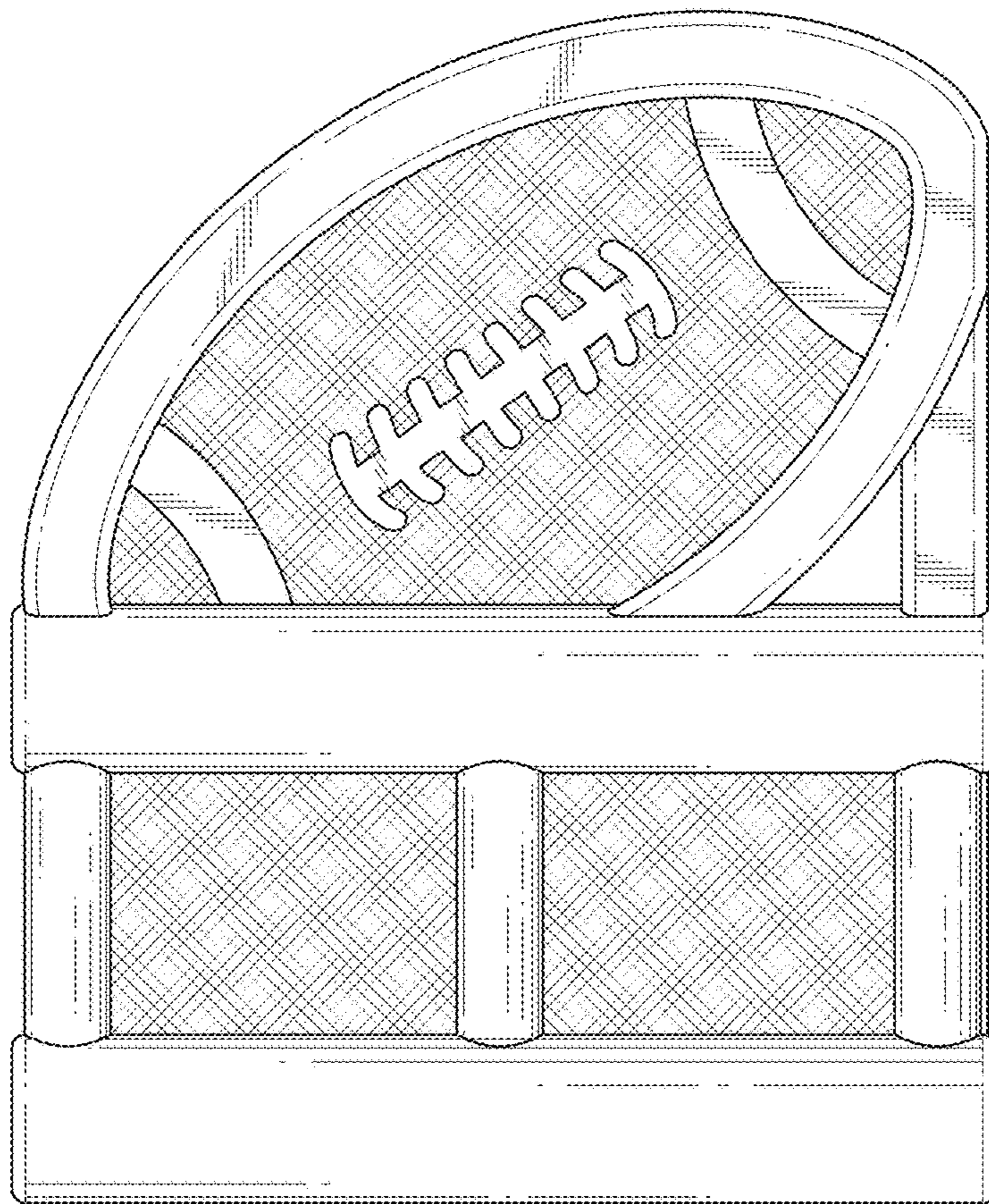


FIG. 3



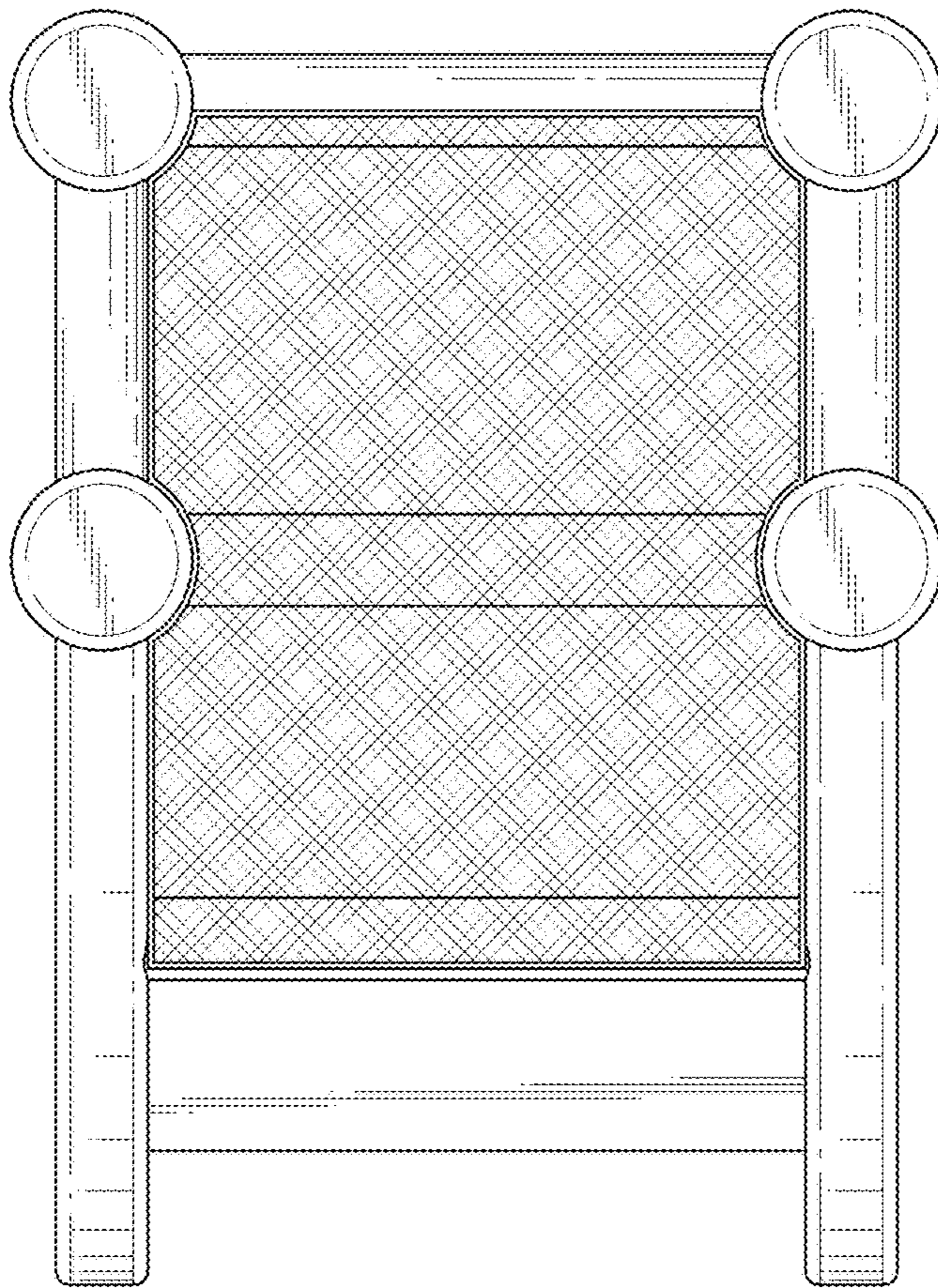


FIG. 4

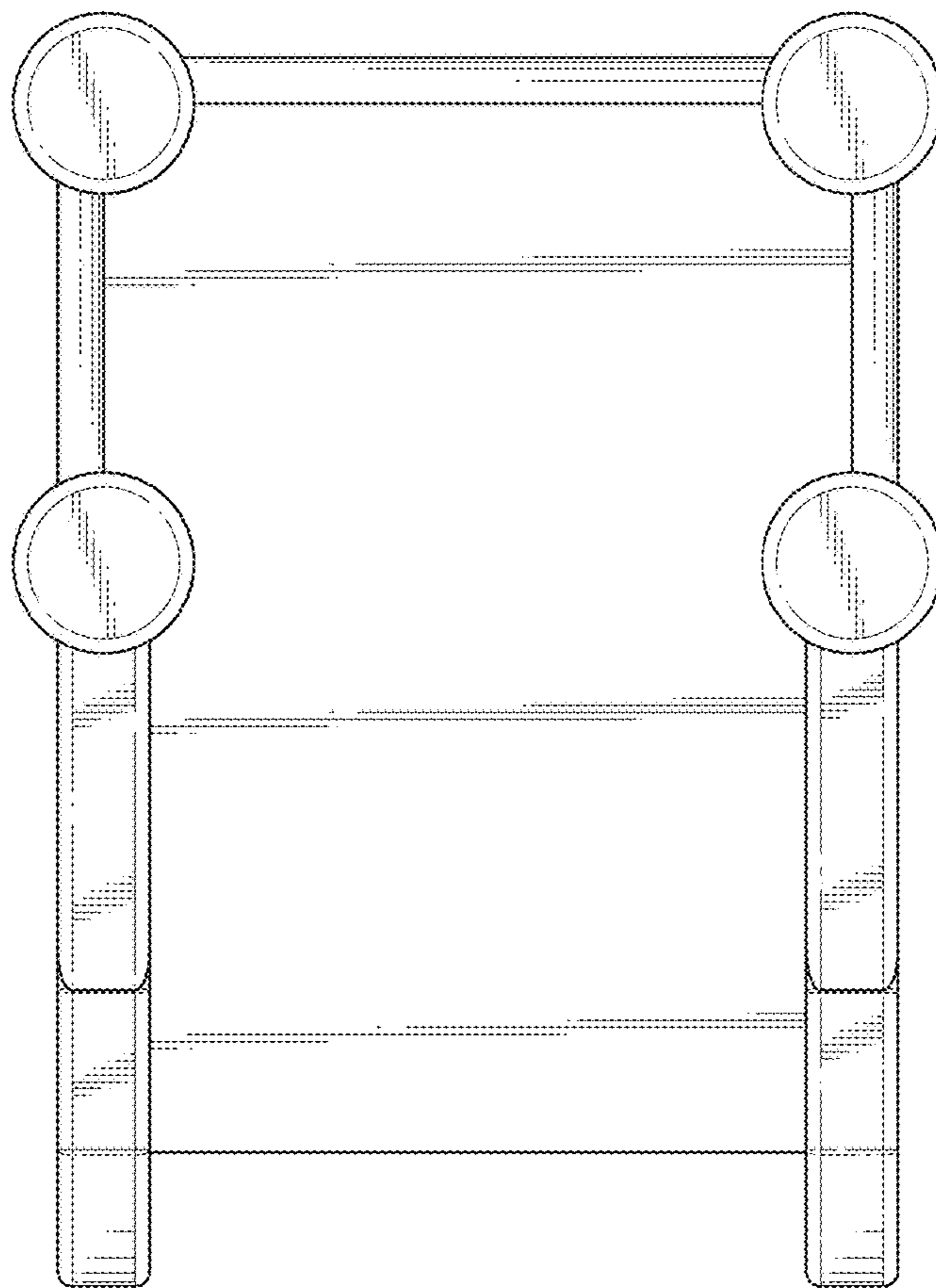


FIG. 5



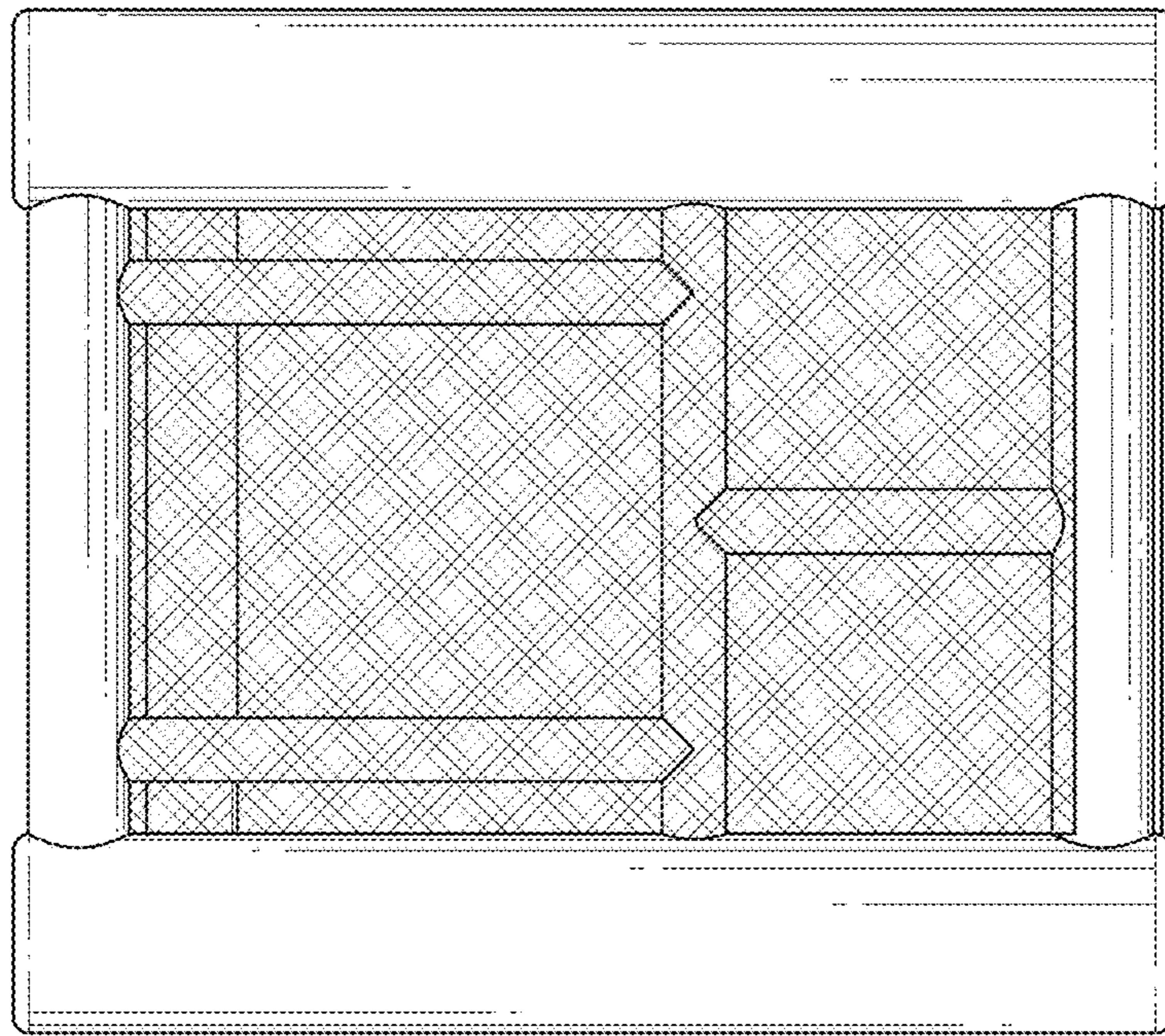


FIG. 7

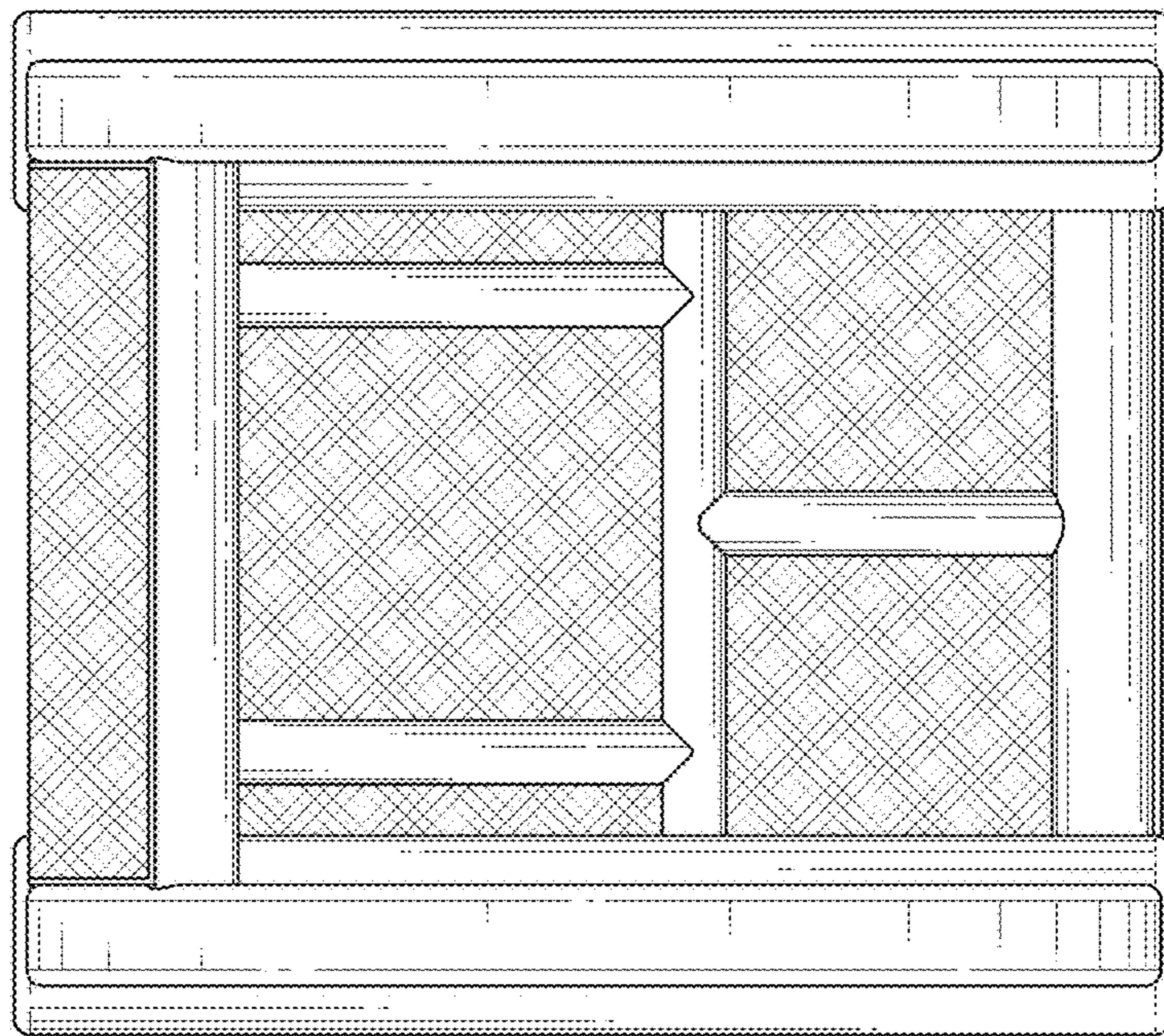


FIG. 6