



US00D827737S

(12) **United States Design Patent** (10) **Patent No.:** **US D827,737 S**  
**Schmidt-Gabriel et al.** (45) **Date of Patent:** **\*\* Sep. 4, 2018**

(54) **EXERCISE DEVICE**

(71) Applicant: **HYVE AG**, Munich (DE)

(72) Inventors: **Michael Schmidt-Gabriel**, Wesling (DE); **Johannes Scholl**, Munich (DE)

(73) Assignee: **Icaros GmbH**, Planegg (DE)

(\*\*) Term: **15 Years**

(21) Appl. No.: **29/547,962**

(22) Filed: **Dec. 9, 2015**

(30) **Foreign Application Priority Data**

Sep. 29, 2015 (DE) ..... 40 2015 203 323

(51) **LOC (11) Cl.** ..... **21-02**

(52) **U.S. Cl.**  
USPC ..... **D21/686**

(58) **Field of Classification Search**  
USPC ..... D21/662, 663, 665, 667-671, 674, 676, D21/690  
CPC ..... A63B 21/00; A63B 22/00; A63B 23/00; A63B 24/00; B60R 9/10  
See application file for complete search history.

(56) **References Cited**

**U.S. PATENT DOCUMENTS**

D344,993 S *	3/1994	Laratta	.....	D21/676
5,441,255 A *	8/1995	Verbick	.....	A63B 23/03508 473/422
D362,700 S *	9/1995	Breibart	.....	D21/673
D376,397 S *	12/1996	Prodan	.....	D21/673
D474,516 S *	5/2003	Kuo	.....	D21/673
D499,456 S *	12/2004	Hsu	.....	D21/668
D519,583 S *	4/2006	Chen	.....	D21/668
D526,032 S *	8/2006	Wu	.....	D21/673
D528,615 S *	9/2006	Black	.....	D21/694
D556,274 S *	11/2007	Morgan	.....	D21/662

D567,312 S *	4/2008	Tsai	.....	D21/662
D606,599 S *	12/2009	Murray	.....	D21/668
D608,401 S *	1/2010	Campanaro	.....	D21/662
D612,000 S *	3/2010	Campanaro	.....	D21/662
D627,011 S *	11/2010	Potok	.....	D21/662
7,878,957 B1 *	2/2011	Chen	.....	A63B 22/0046 482/131
7,938,763 B2 *	5/2011	Campanaro	.....	A63B 21/068 482/140
8,052,583 B1 *	11/2011	Tsai	.....	A63B 23/03525 482/132
D667,513 S *	9/2012	Lee	.....	D15/199
D671,997 S *	12/2012	Lien	.....	D21/662
D705,367 S *	5/2014	Ho	.....	D21/687
D740,377 S *	10/2015	Halper, Jr.	.....	D21/662
D745,615 S *	12/2015	Ho	.....	D21/686
D770,236 S *	11/2016	Pattipati	.....	D7/619.1

**FOREIGN PATENT DOCUMENTS**

EP	2682164 A3 *	2/2016	.....	A63B 22/205
EP	2682164 A3 *	2/2016	.....	A63B 22/205

\* cited by examiner

*Primary Examiner* — Caron D Veynar  
*Assistant Examiner* — Mehri F Bajoul  
(74) *Attorney, Agent, or Firm* — Hassan Abbas Shakir;  
Katten Muchin Rosenman LLP

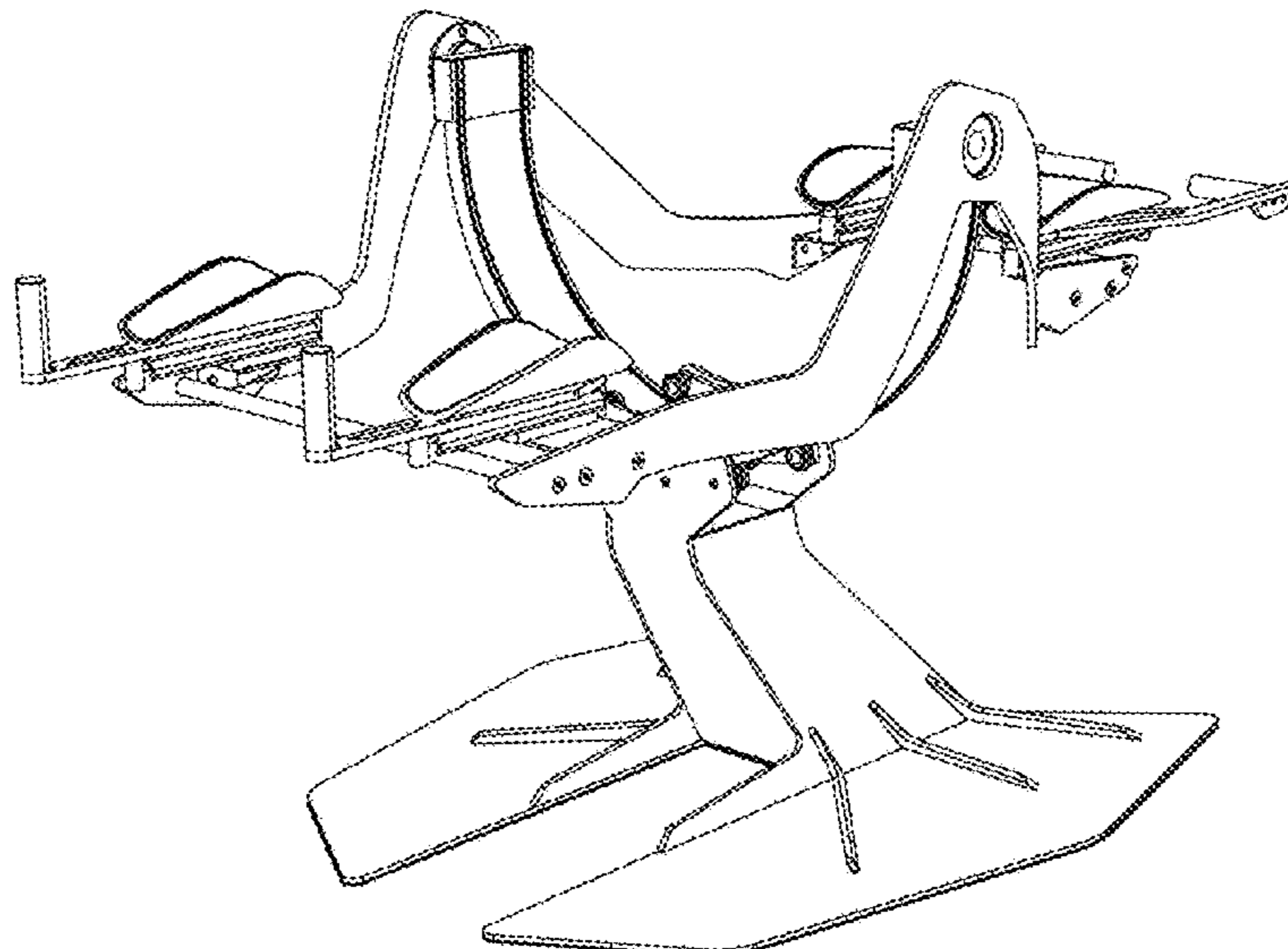
(57) **CLAIM**

The ornamental design of the exercise device, as shown and described.

**DESCRIPTION**

FIG. 1 is a front isometric view of the exercise device; FIG. 2 is a rear isometric view of the exercise device; FIG. 3 is a rear view of the exercise device; FIG. 4 is a front view of the exercise device; FIG. 5 is a right-side view of the exercise device; and, FIG. 6 is a top view of the exercise device.

**1 Claim, 6 Drawing Sheets**



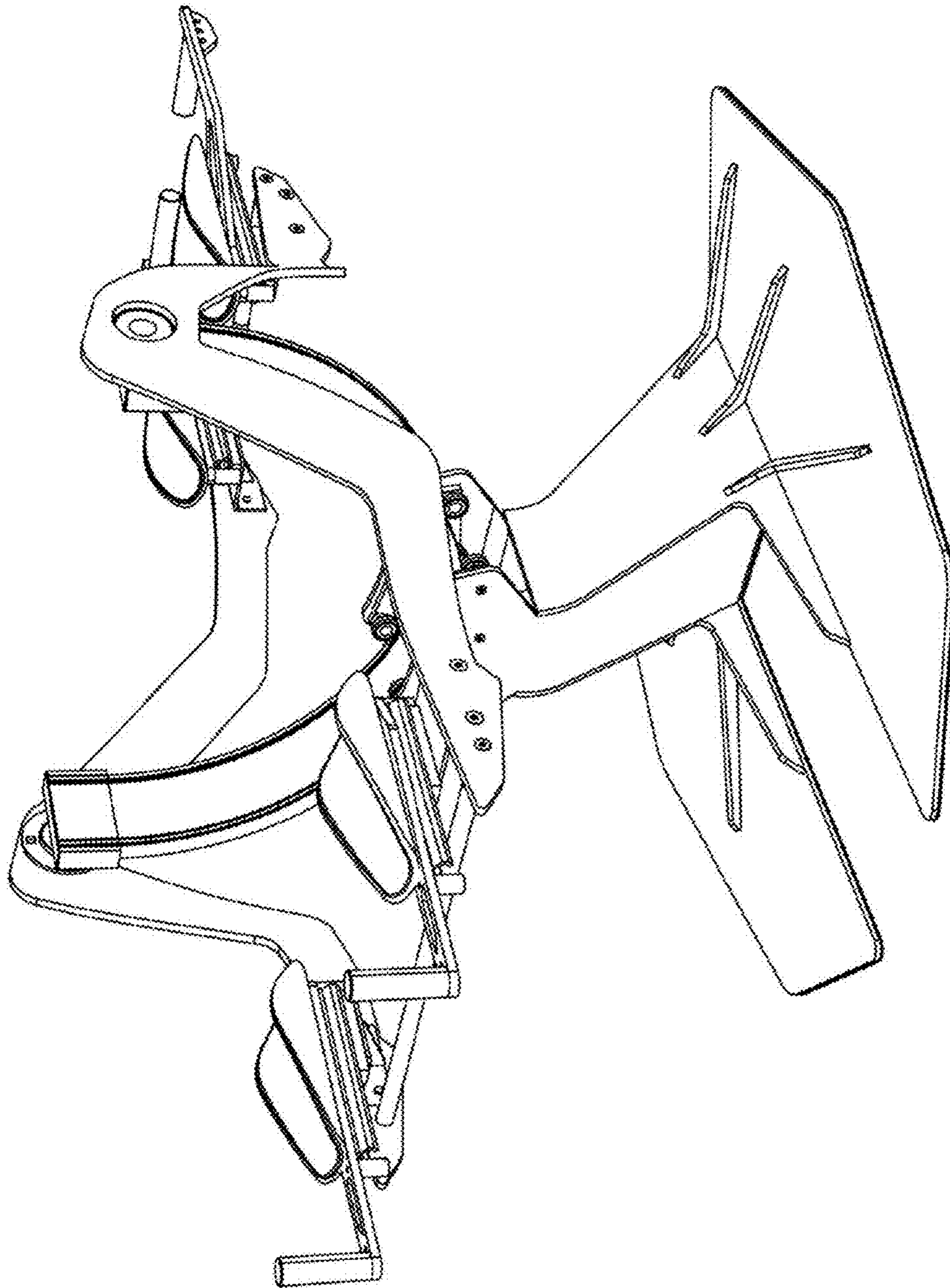


FIG. 1

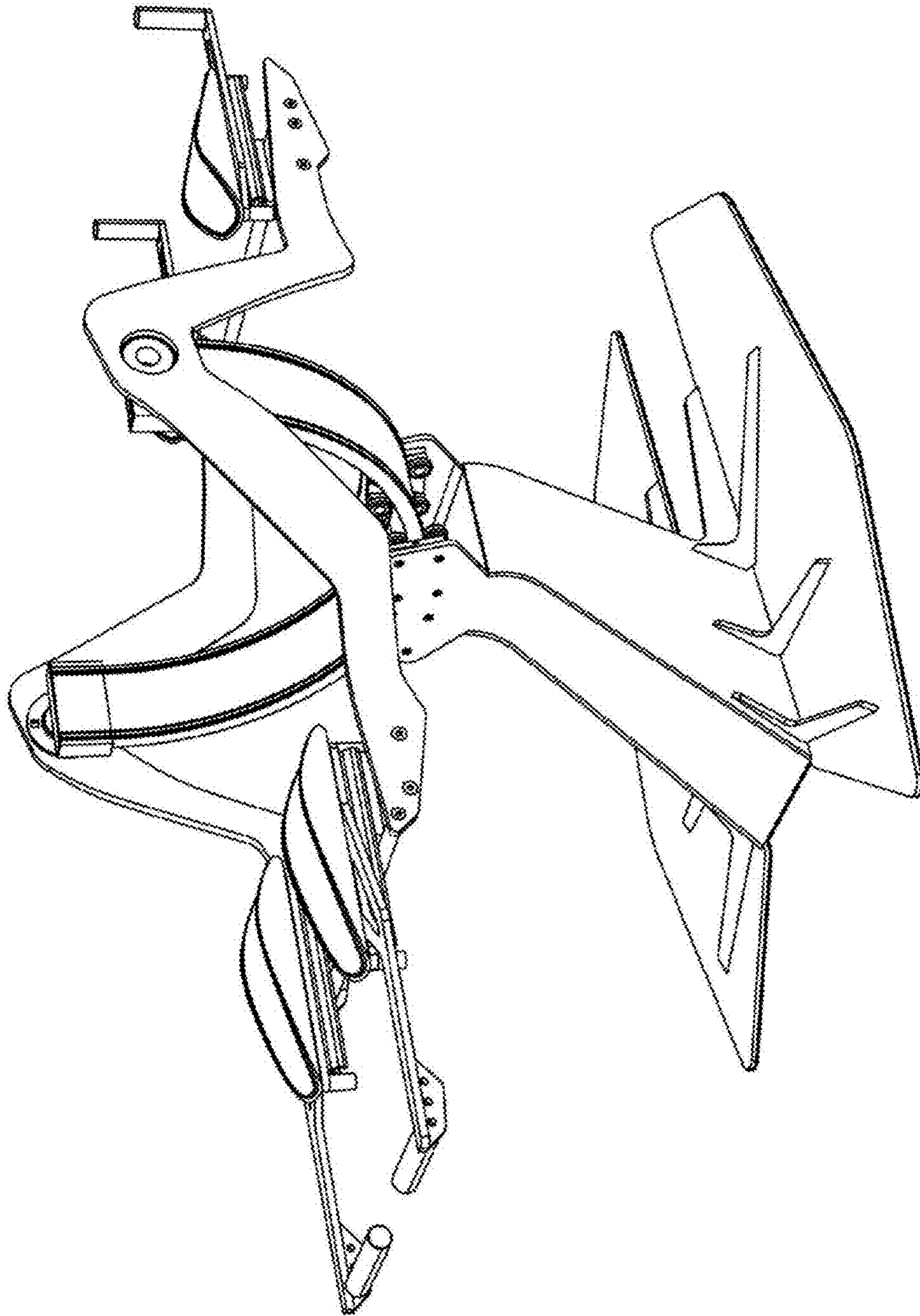


FIG. 2

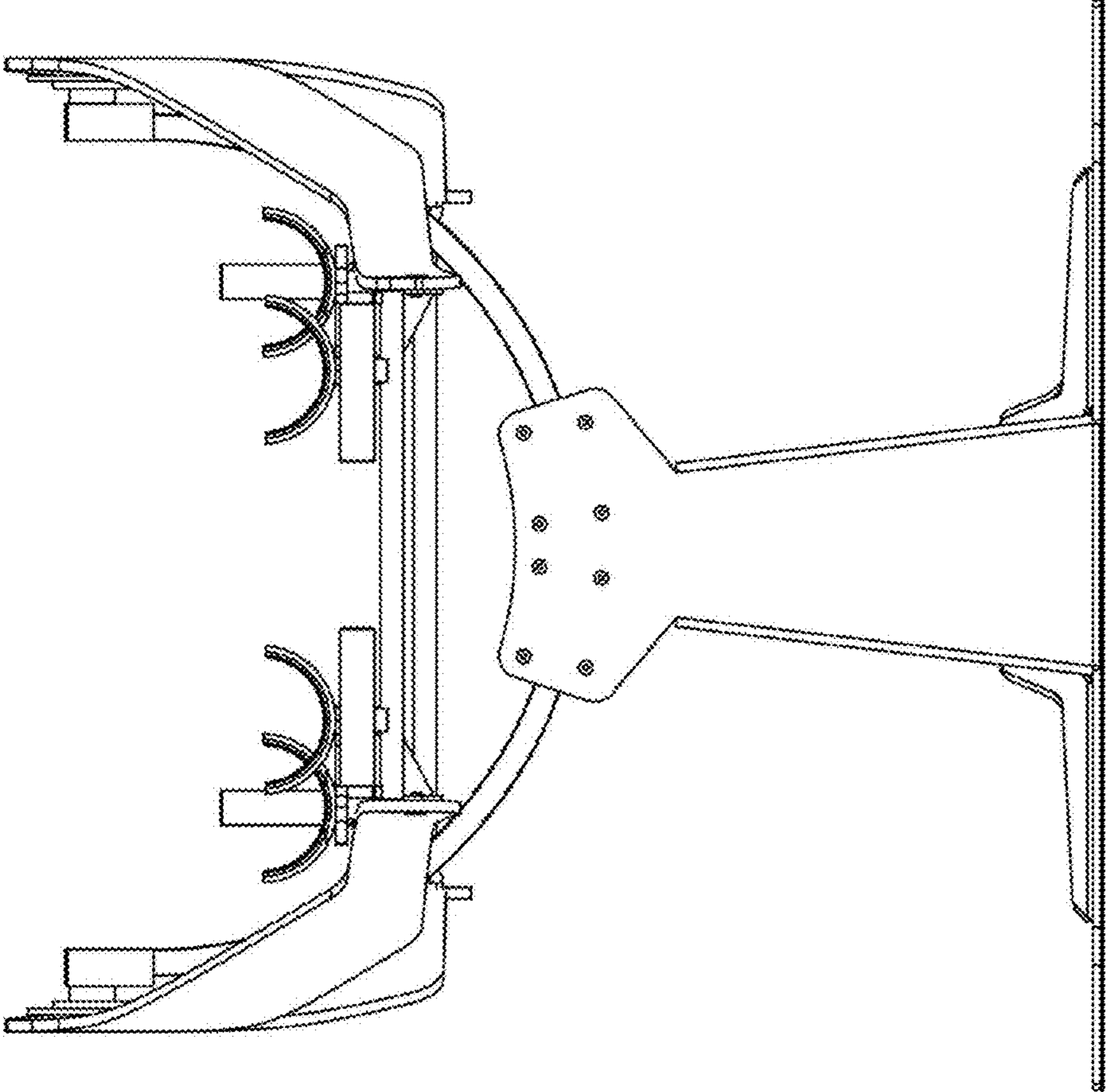


FIG. 3

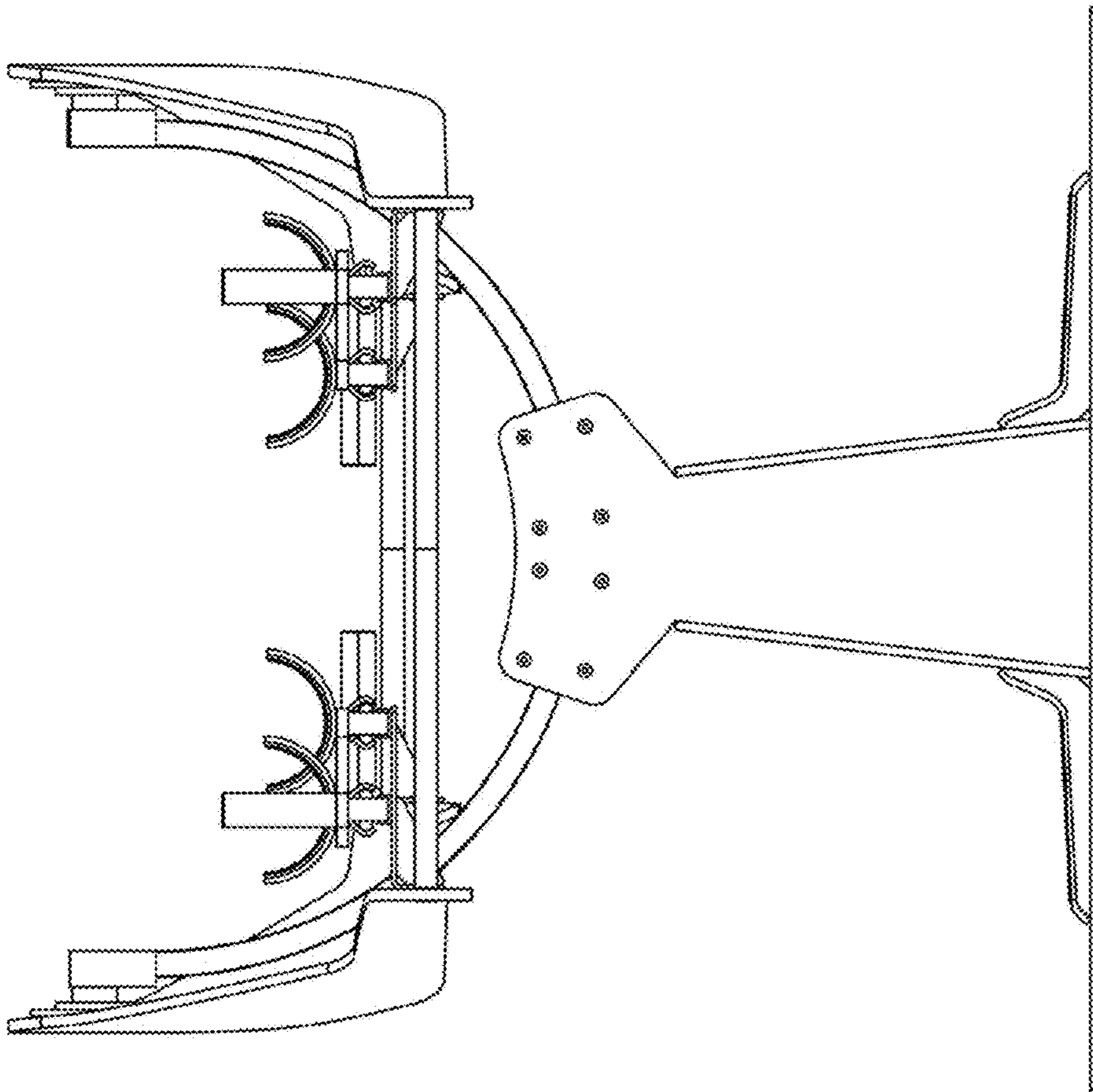


FIG. 4

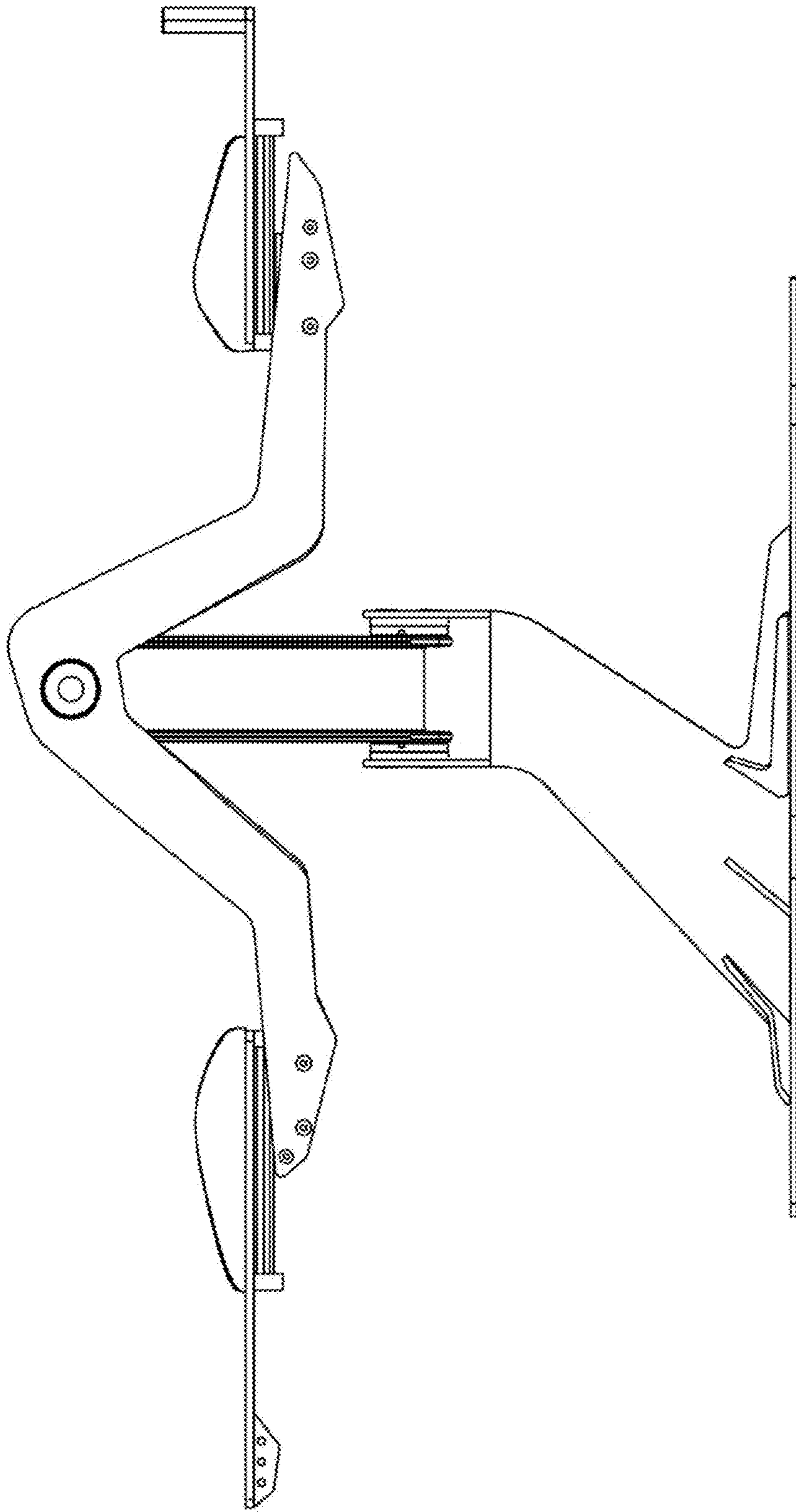


FIG. 5

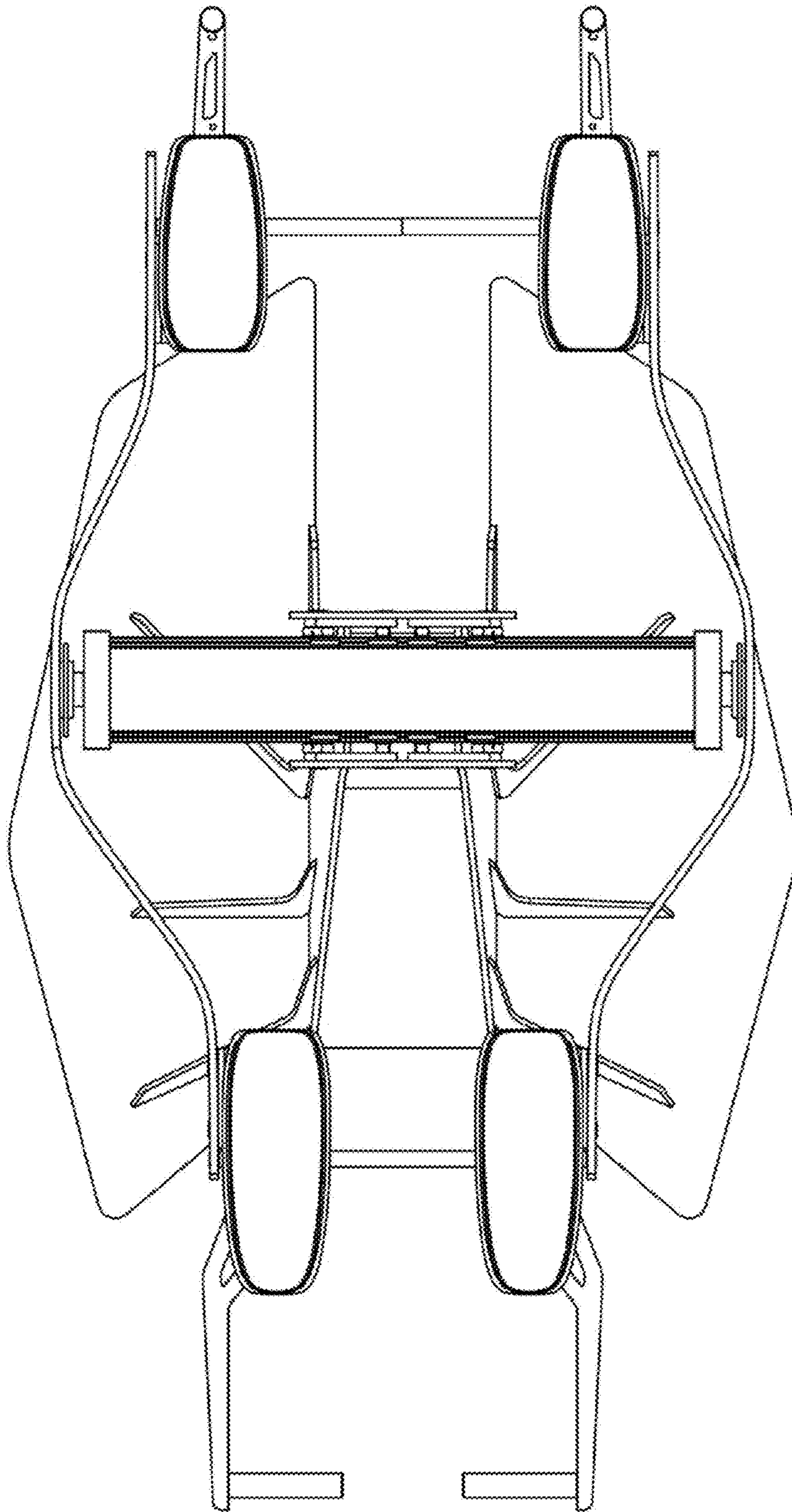


FIG. 6