



US00D827736S

(12) **United States Design Patent**  
**Meyer**

(10) **Patent No.:** **US D827,736 S**

(45) **Date of Patent:** **\*\* Sep. 4, 2018**

(54) **ERGONOMIC STRENGTH CONDITIONING GRIP**

(71) Applicant: **Philip Berend Meyer**, Surprise, AZ (US)

(72) Inventor: **Philip Berend Meyer**, Surprise, AZ (US)

(\*\*) Term: **15 Years**

(21) Appl. No.: **29/631,615**

(22) Filed: **Dec. 30, 2017**

**Related U.S. Application Data**

(63) Continuation-in-part of application No. 15/851,334, filed on Dec. 21, 2017.

(51) **LOC (11) Cl.** ..... **21-02**

(52) **U.S. Cl.**  
USPC ..... **D21/684**

(58) **Field of Classification Search**  
USPC ..... D21/680-684; D30/160  
CPC ..... A63B 2071/027; A63B 21/00061; A63B 21/00065; A63B 21/025; A63B 21/0442; A63B 21/0552; A63B 21/0557; A63B 21/16; A63B 21/4033; A63B 21/4035; A63B 21/4043; A63B 2210/50; A63B 23/03541; A63B 23/03558; A63B 23/0458; A63B 23/1209  
See application file for complete search history.

(56) **References Cited**

**U.S. PATENT DOCUMENTS**

- 3,265,389 A \* 8/1966 Carlson ..... A63B 23/16 482/49
- D256,958 S \* 9/1980 Markham ..... D30/160
- D333,937 S \* 3/1993 Prosser ..... D30/160
- D363,148 S \* 10/1995 Frasier ..... 411/84
- D370,704 S \* 6/1996 Oberhoff ..... D21/684

- D379,104 S \* 5/1997 Beard ..... D21/684
- D445,855 S \* 7/2001 Kumazawa ..... D21/684
- RE40,430 E \* 7/2008 Markham ..... A01K 15/026 119/707
- D624,264 S \* 9/2010 Li ..... D32/51
- D636,037 S \* 4/2011 Chuang ..... D21/682
- D658,817 S \* 5/2012 Costello ..... D30/121
- 8,225,747 B2 \* 7/2012 Markham ..... A01K 5/0114 119/51.01
- 8,474,404 B2 \* 7/2013 Costello ..... A01K 15/025 119/51.01
- D708,952 S \* 7/2014 Fu ..... D9/500
- D765,193 S \* 8/2016 Taylor, Sr. .... D21/684

(Continued)

*Primary Examiner* — George D. Kirschbaum

*Assistant Examiner* — Jennifer L. Watkins

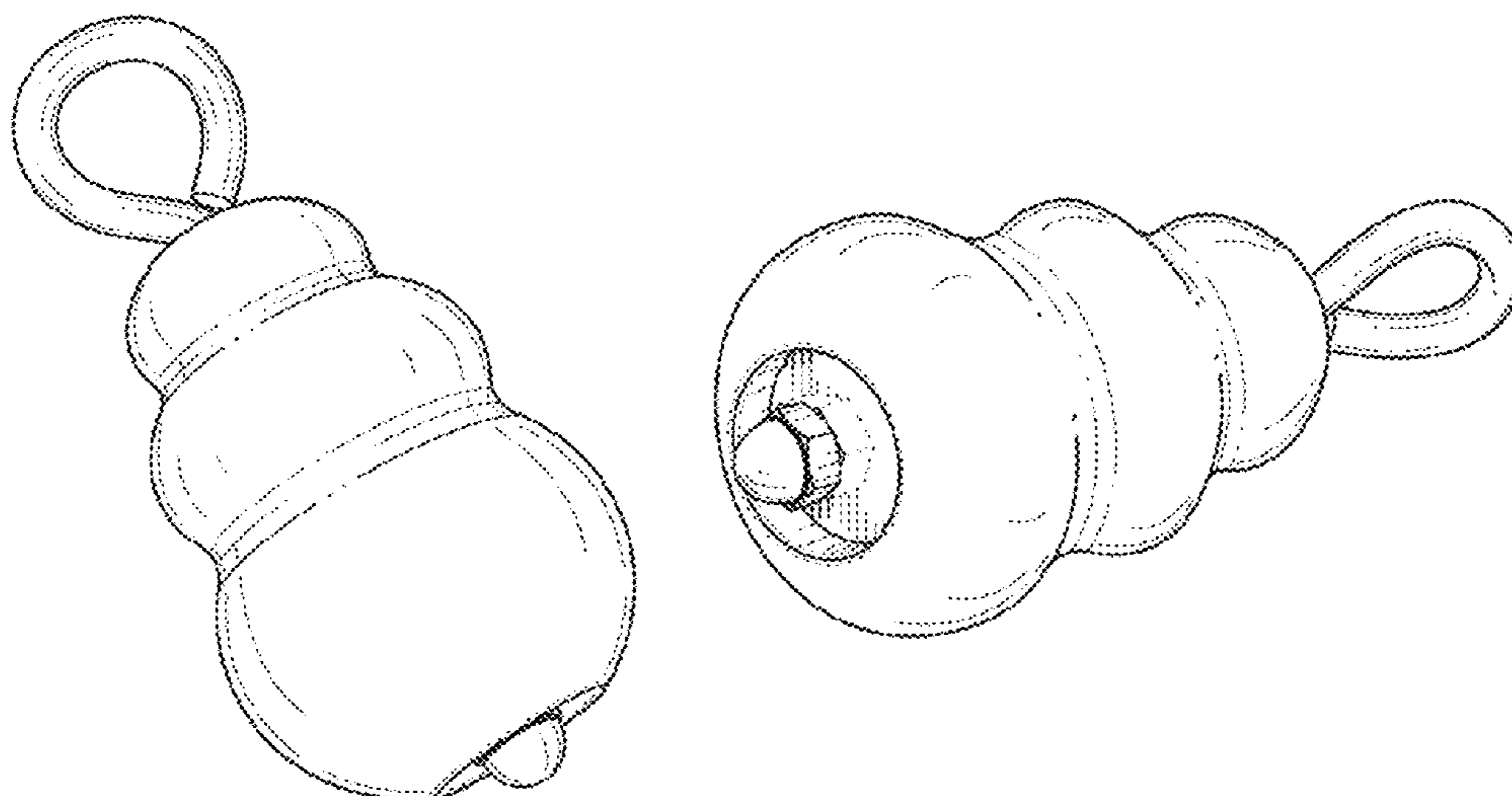
(57) **CLAIM**

The ornamental design for an ergonomic strength conditioning grip, as shown and described herein.

**DESCRIPTION**

FIG. 1 is a front side elevation view of a new design for an ergonomic strength conditioning grip;  
 FIG. 2 is a right side elevation view thereof;  
 FIG. 3 is a rear side elevation view thereof;  
 FIG. 4 is a left side elevation view thereof;  
 FIG. 5 is a top plan view thereof;  
 FIG. 6 is a bottom plan view of thereof;  
 FIG. 7 is an enlarged sectional view taken along line 7-7 in FIG. 6;  
 FIG. 8 is a perspective view thereof; and,  
 FIG. 9 is another perspective view thereof.  
 The dash dot dash line shown with arrows in FIGS. 6 and 7 is for the purpose of illustrating the cut line and forms no part of the claim. The evenly dashed broken lines shown in FIGS. 6-9 are for the purpose of illustrating portions of the ergonomic strength conditioning grip and form no part of the claim.

**1 Claim, 2 Drawing Sheets**



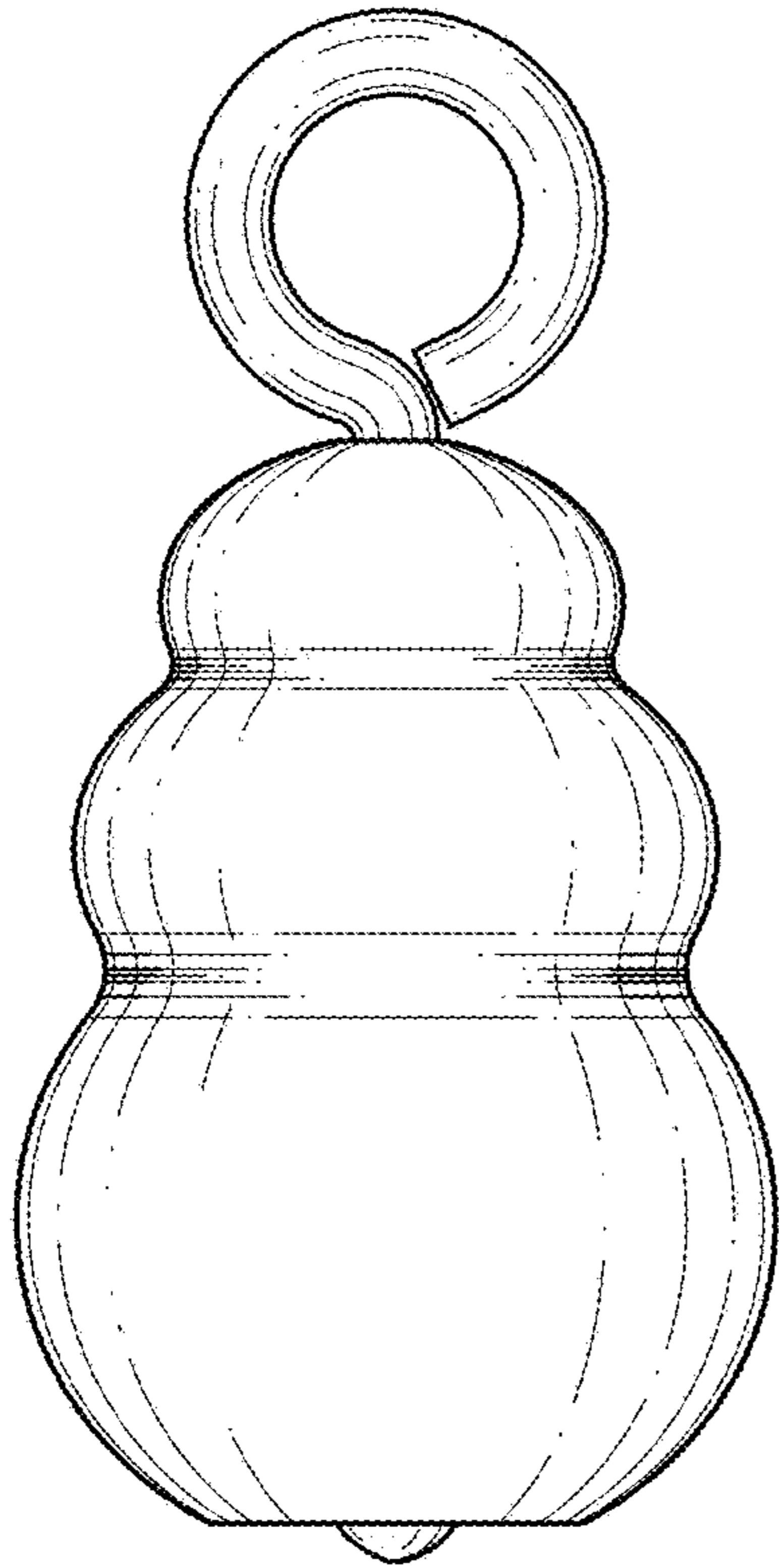
(56)

**References Cited**

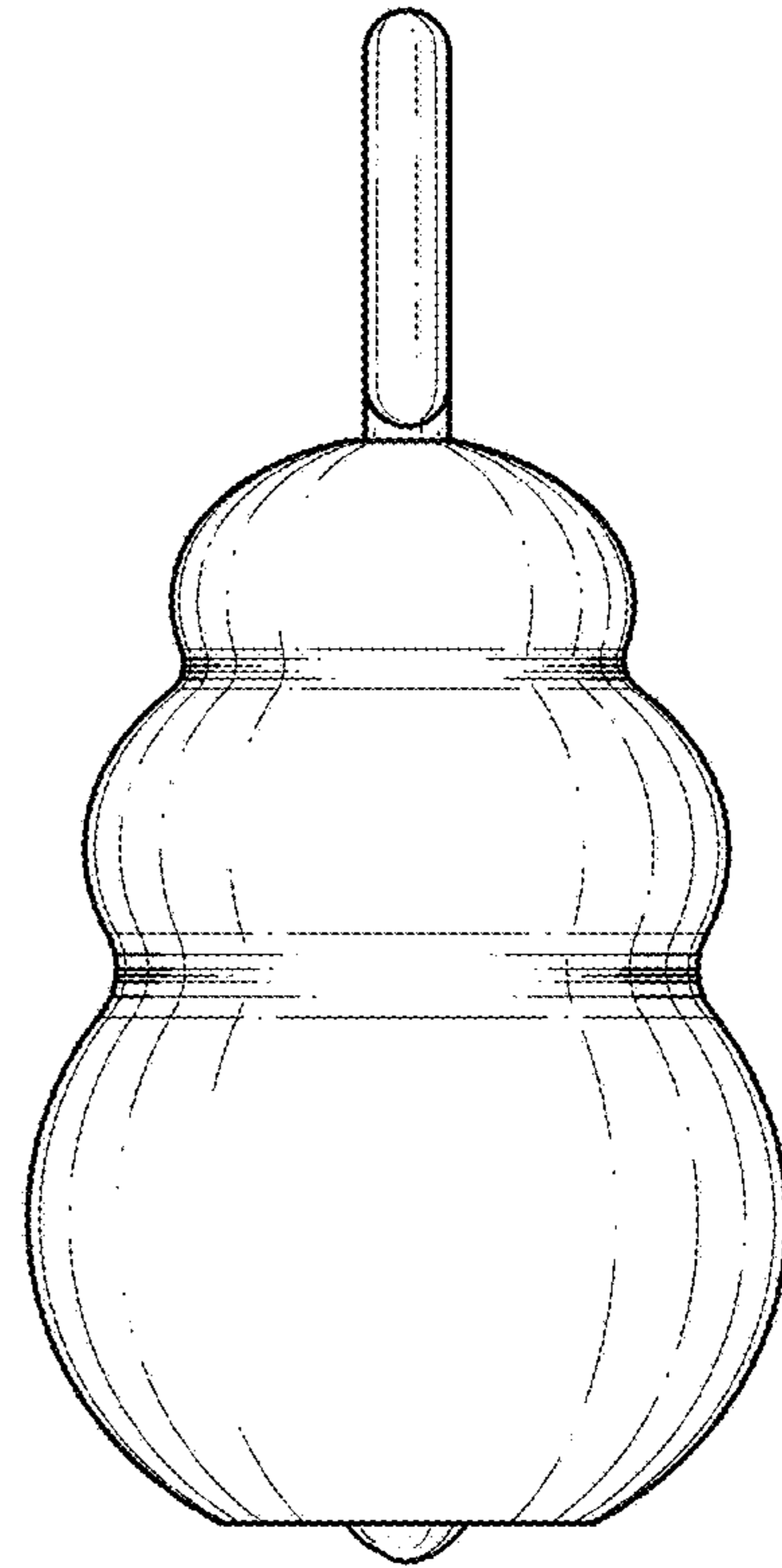
U.S. PATENT DOCUMENTS

D799,611 S \* 10/2017 Charles ..... D21/684  
D810,844 S \* 2/2018 Hao ..... D21/684  
2016/0354628 A1\* 12/2016 Hao ..... A63B 21/023

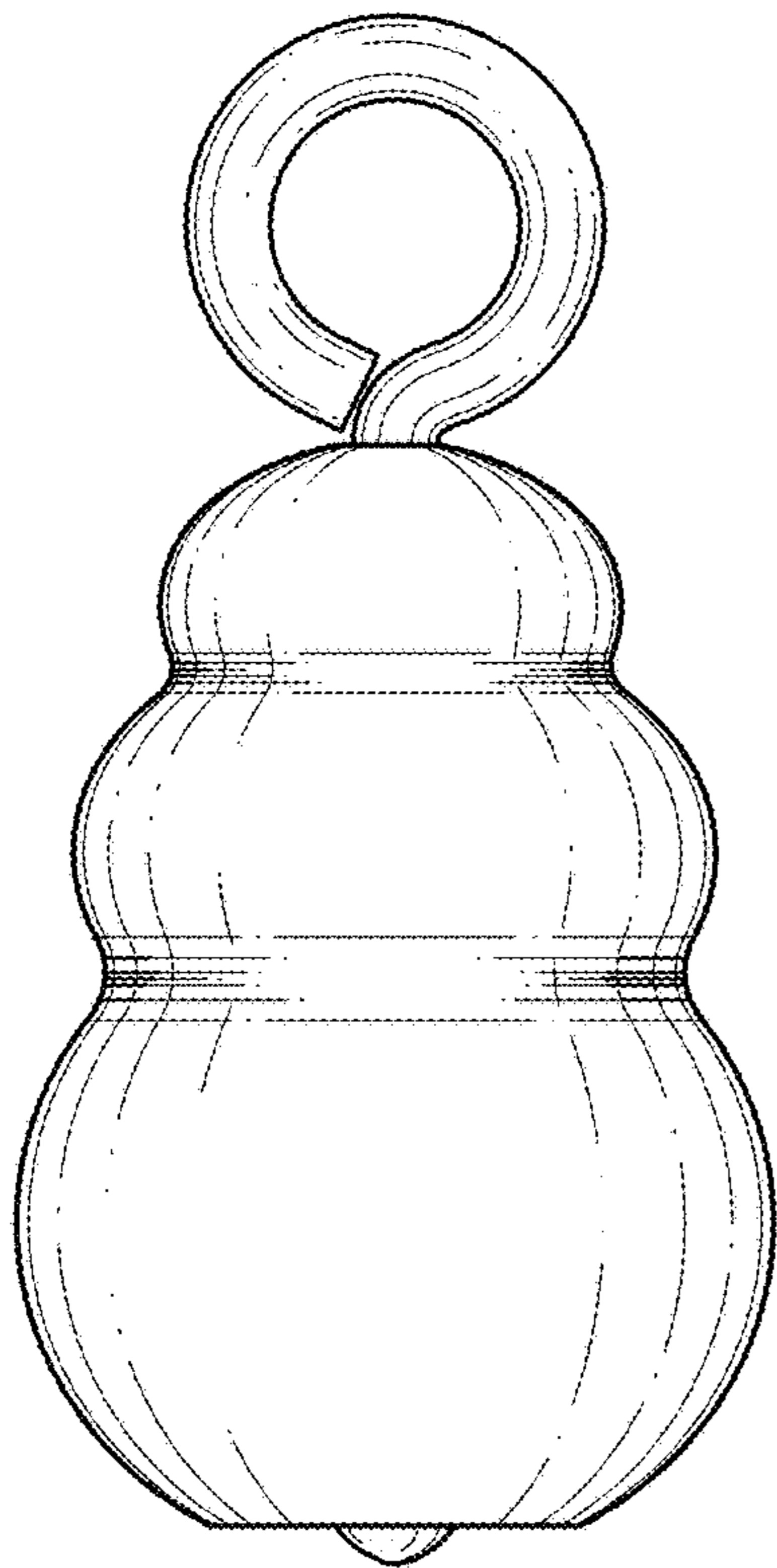
\* cited by examiner



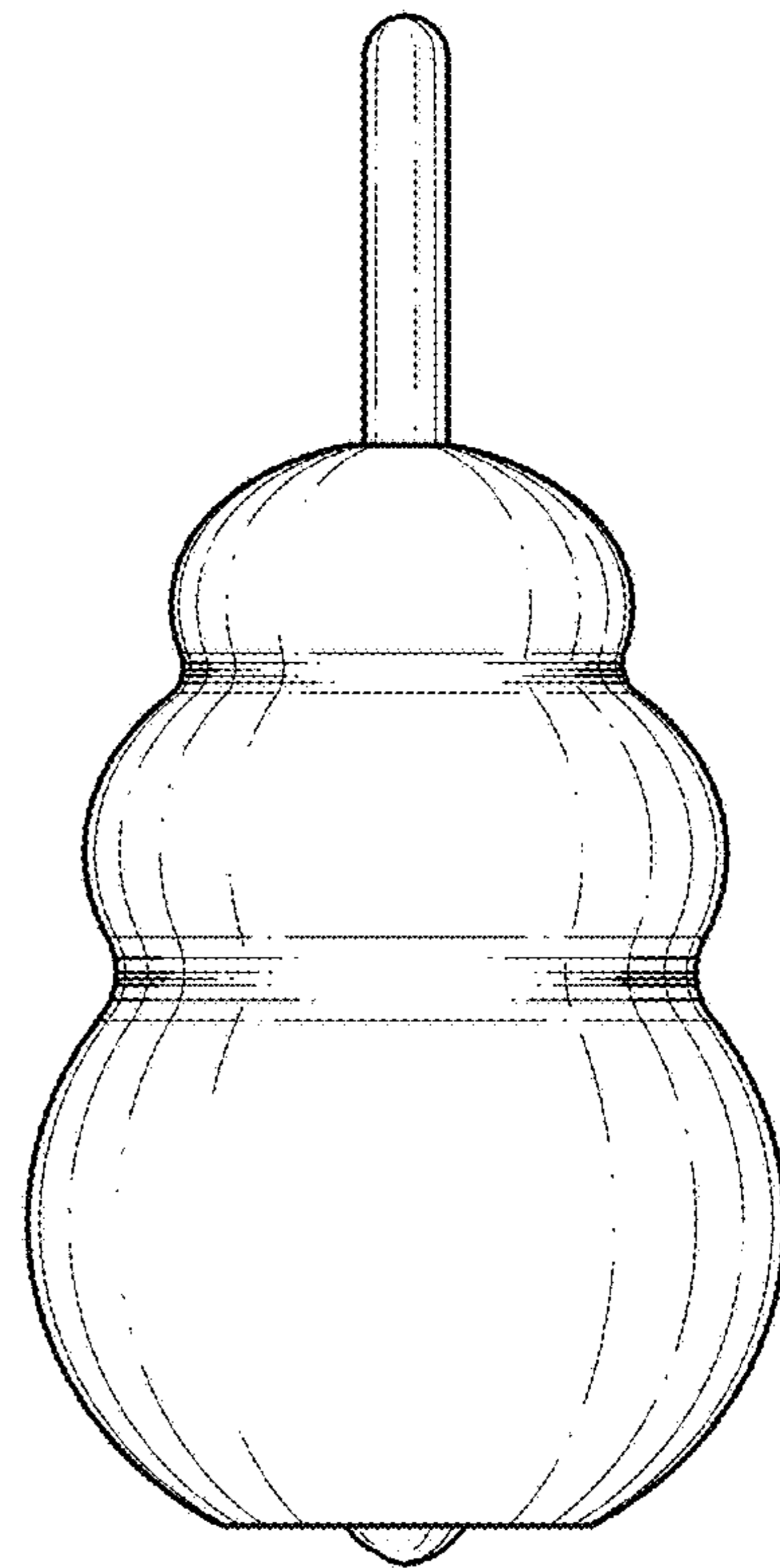
**FIG. 1**



**FIG. 2**



**FIG. 3**



**FIG. 4**

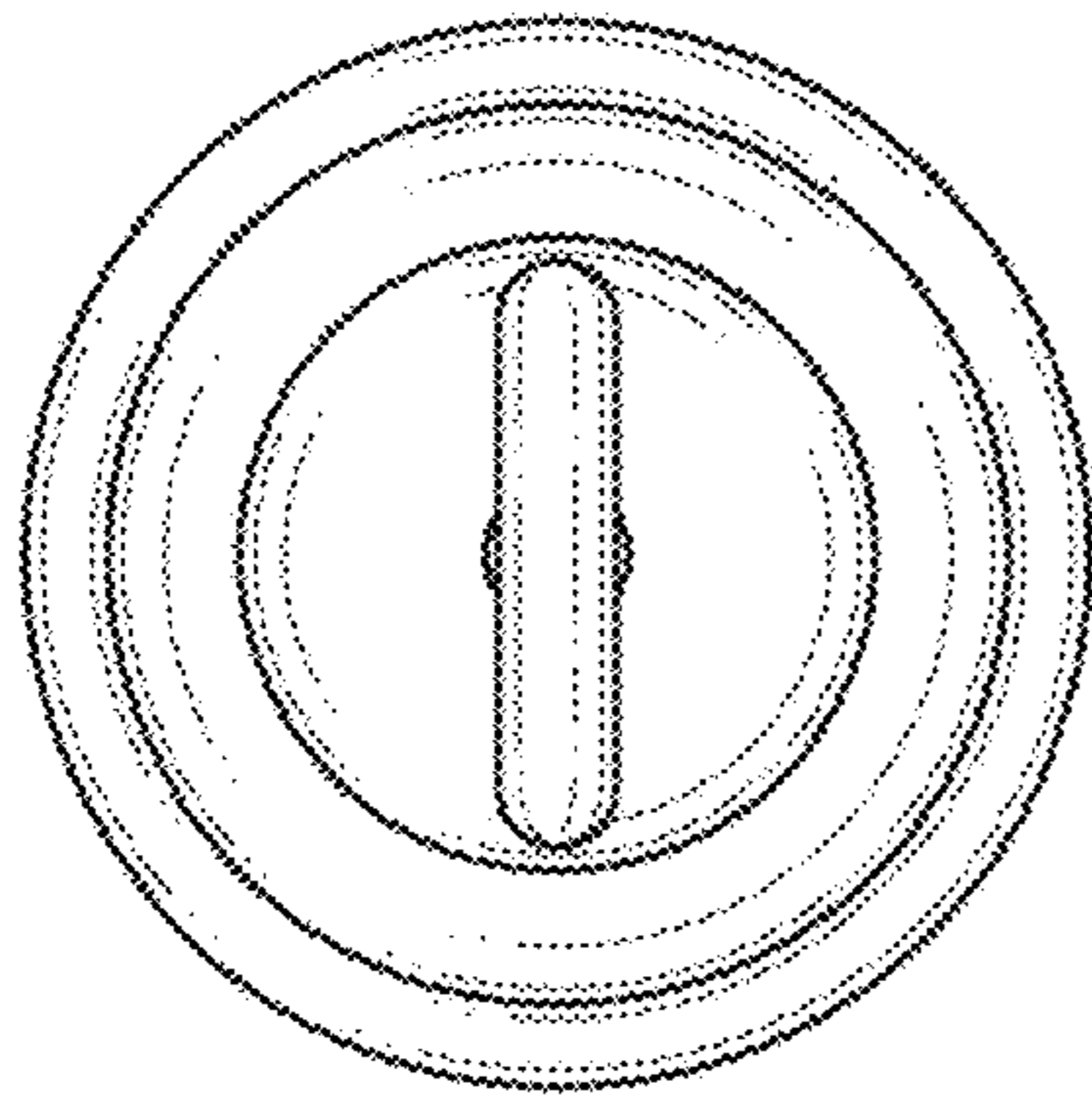


FIG. 5

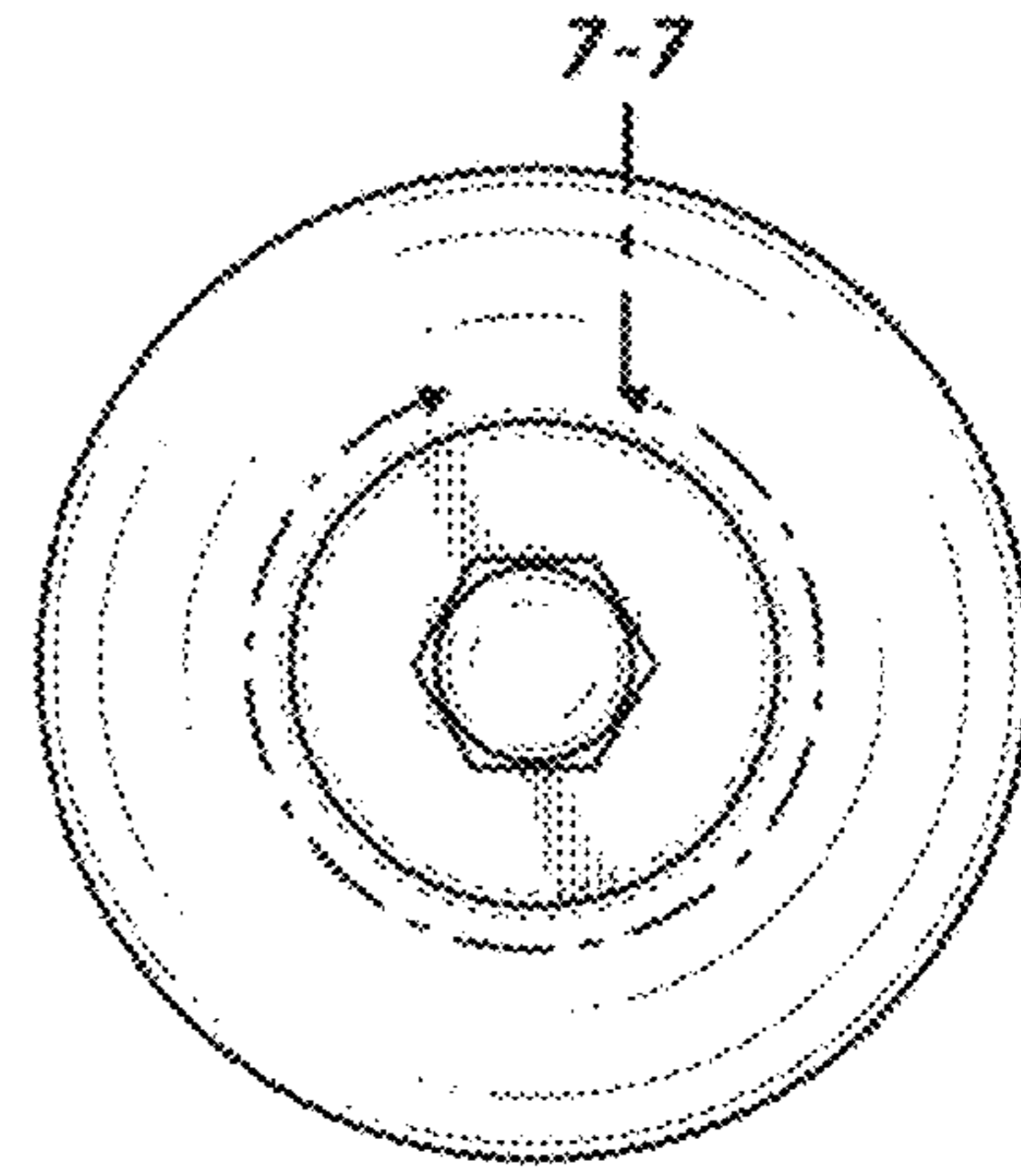


FIG. 6

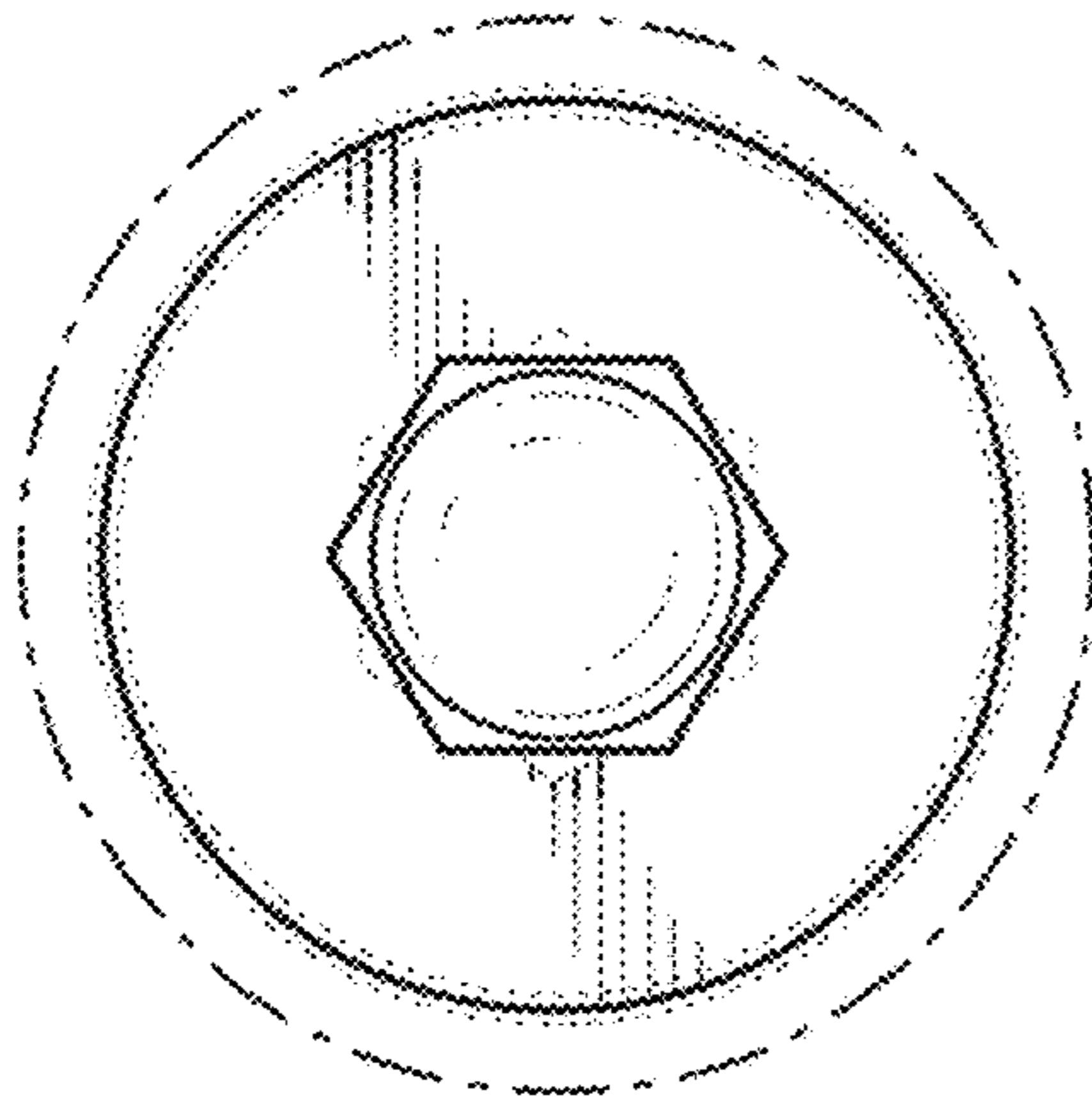


FIG. 7

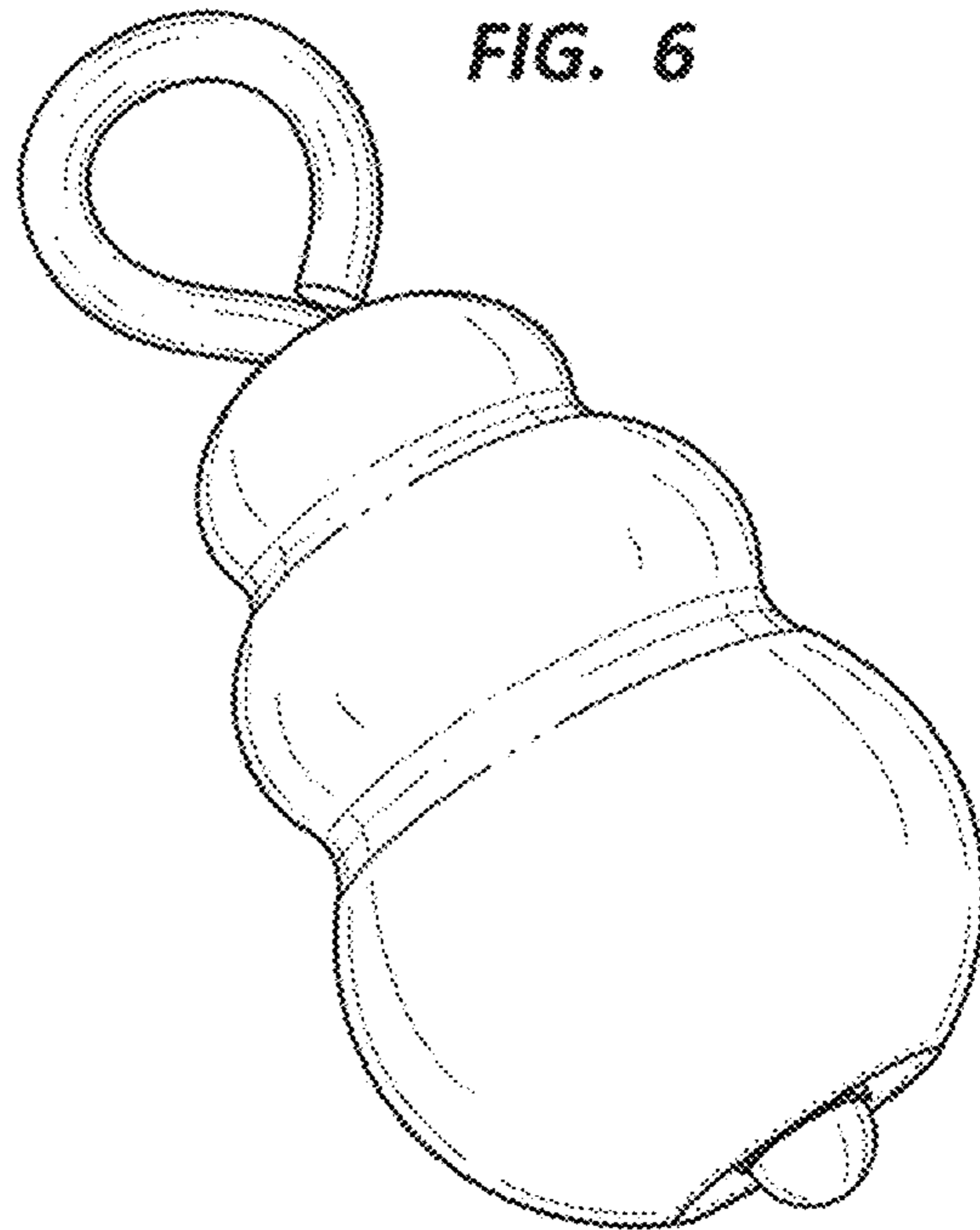


FIG. 8

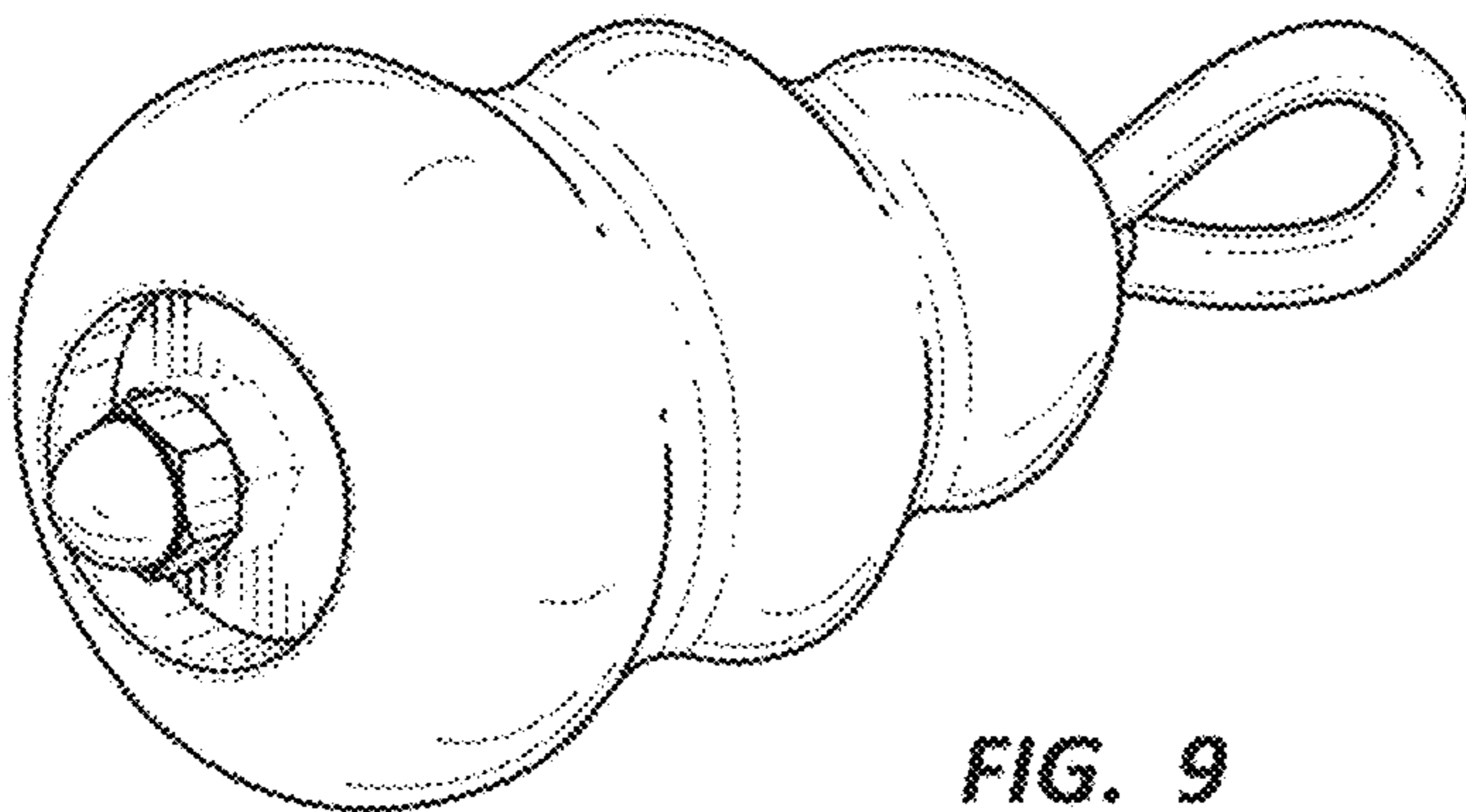


FIG. 9