



US00D827734S

(12) **United States Design Patent** (10) **Patent No.:** **US D827,734 S**
Exley (45) **Date of Patent:** **** Sep. 4, 2018**

(54) **HINGED ARM EXERCISING DEVICE**

4,861,022 A 8/1989 Boatcallie
5,399,138 A 3/1995 Jones
5,674,164 A 10/1997 Kravitz
5,690,596 A 11/1997 Parker

(71) Applicant: **ONTEL PRODUCTS CORPORATION**, Fairfield, NJ (US)

(Continued)

(72) Inventor: **Ross Exley**, Morristown, NJ (US)

OTHER PUBLICATIONS

(73) Assignee: **Ontel Products Corporation**, Fairfield, NJ (US)

Wonder Arms by Penny Gumm dated Apr. 4, 2017. Found online [Mar. 13, 2017] <https://www.youtube.com/watch?v=cLFwq-ZZtK0>.*

(**) Term: **15 Years**

Primary Examiner — Philip S Hyder

Assistant Examiner — Ryan Harvey

(21) Appl. No.: **29/601,865**

(74) *Attorney, Agent, or Firm* — John S. Artz; Dickinson Wright PLLC

(22) Filed: **Apr. 26, 2017**

(51) **LOC (11) Cl.** **21-02**

(52) **U.S. Cl.**
USPC **D21/673**

(57) **CLAIM**

I claim the ornamental design for a hinged arm exercising device, as shown and described.

(58) **Field of Classification Search**
USPC 482/47, 45, 49, 48, 44, 121, 105, 122, 482/128, 112, 141, 51, 66, 70, 126, 46, 482/107, 8, 901, 139, 108, 82, 106, 594, 482/124, 131, 11, 93, 97; D21/684, 692, D21/662, 679, 693, 714, 682; 127/45; D11/133; D19/97, 82, 96; D27/156; D32/35; D22/112; 73/379.03; 84/465, 84/265; D8/303; D24/211; 74/558; 601/125, 133, 135, 137, 204, 38; 473/594
CPC A63B 21/0552; A63B 2208/0204; A63B 22/001; A63B 21/00069; A63B 23/12
See application file for complete search history.

DESCRIPTION

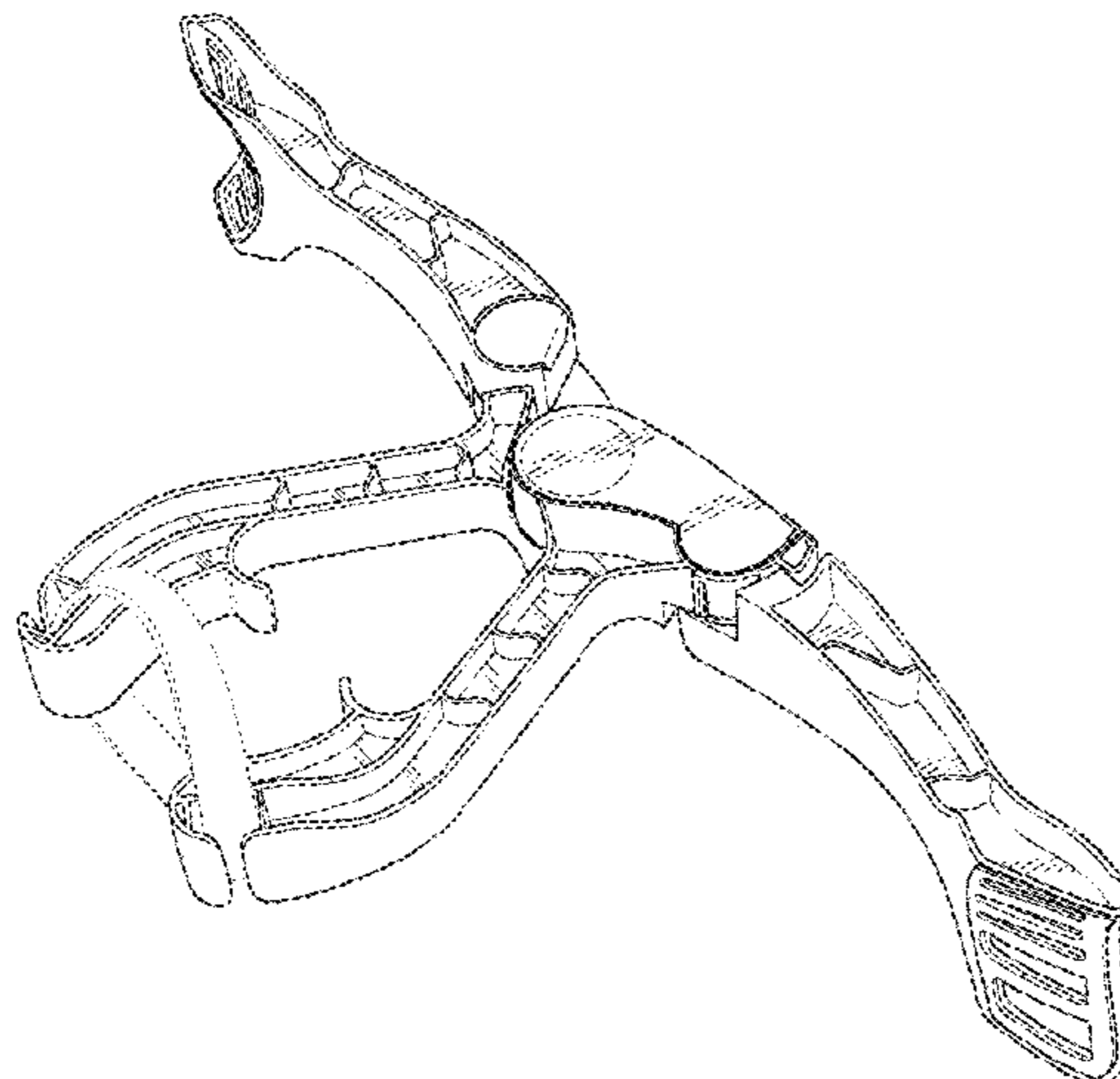
FIG. 1 is a top perspective view of a hinged arm exercising device in an open configuration;
FIG. 2 is a top view of the hinged arm exercising device of FIG. 1 in the open configuration;
FIG. 3 is a left side view of the hinged arm exercising device of FIG. 1 in the open configuration;
FIG. 4 is a bottom view of the hinged arm exercising device of FIG. 1 in the open configuration;
FIG. 5 is a right side view of the hinged arm exercising device of FIG. 1 in the open configuration;
FIG. 6 is a rear view of the hinged arm exercising device of FIG. 1 in the open configuration;
FIG. 7 is a front view of the hinged arm exercising device of FIG. 1 in the open configuration; and,
FIG. 8 is a top perspective view of the hinged arm exercising device of FIG. 1 in a folded configuration.
The broken lines in the drawings are included for the purpose of illustrating an environmental structure and form no part of the claimed design.

(56) **References Cited**

U.S. PATENT DOCUMENTS

2,529,347 A * 11/1950 Ross, Jr. A63B 21/0004
482/126
4,022,463 A 5/1977 Scott, Jr.
4,210,323 A * 7/1980 Feather A63B 21/0004
482/122
D277,593 S * 2/1985 Terrian D21/693
4,629,186 A * 12/1986 Aldridge A63B 21/0004
482/126

1 Claim, 6 Drawing Sheets



(56)

References Cited

U.S. PATENT DOCUMENTS

D388,846	S *	1/1998	Burghoffer	D21/662
5,713,822	A	2/1998	Newman et al.	
D408,063	S *	4/1999	Van Der Hoeven	D21/692
D563,491	S *	3/2008	Kaplan	D21/692
D589,574	S *	3/2009	Tsai	D21/692
7,828,704	B1	11/2010	Hsieh et al.	
D655,355	S *	3/2012	Hsu	D21/679
D671,179	S *	11/2012	Chang	D21/684
D675,688	S *	2/2013	Francis	D21/684
8,597,164	B2 *	12/2013	Francis	A63B 21/0004 482/121
9,211,430	B1	12/2015	Higginbotham, III	
9,713,733	B2 *	7/2017	Dennis	A63B 21/02
D810,844	S *	2/2018	Hao	D21/684
D812,160	S *	3/2018	Dennis	D21/692
2011/0224056	A1 *	9/2011	Allen	A63B 21/0004 482/126

* cited by examiner

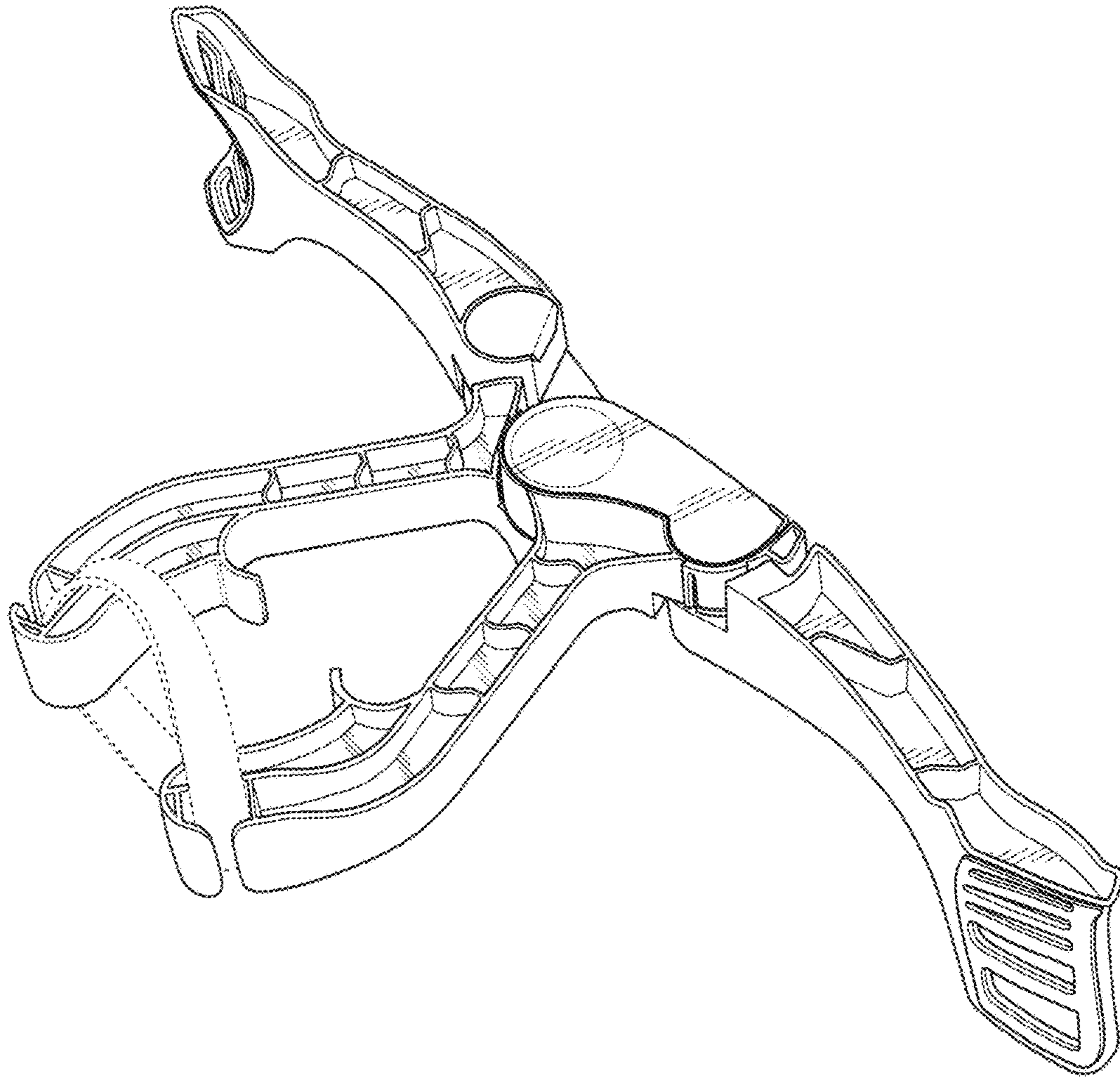


FIG. 1

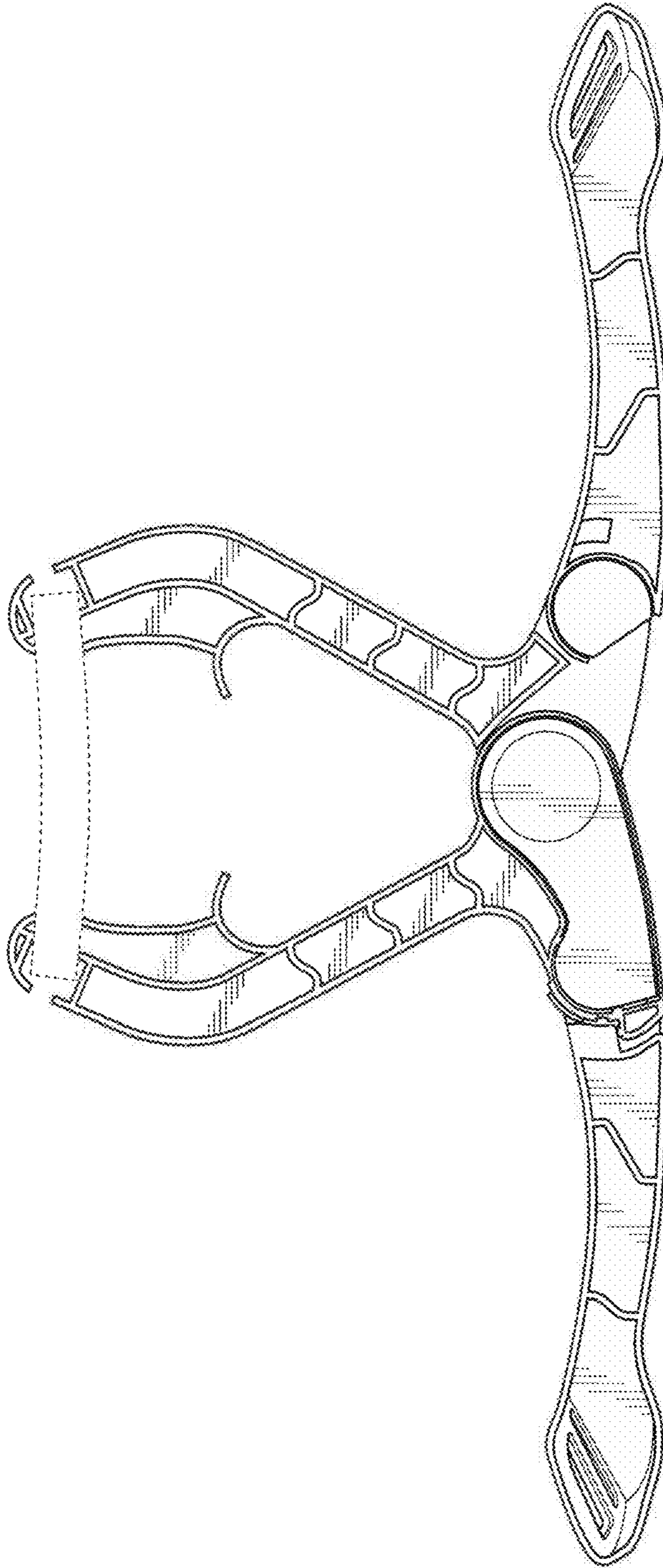


FIG. 2

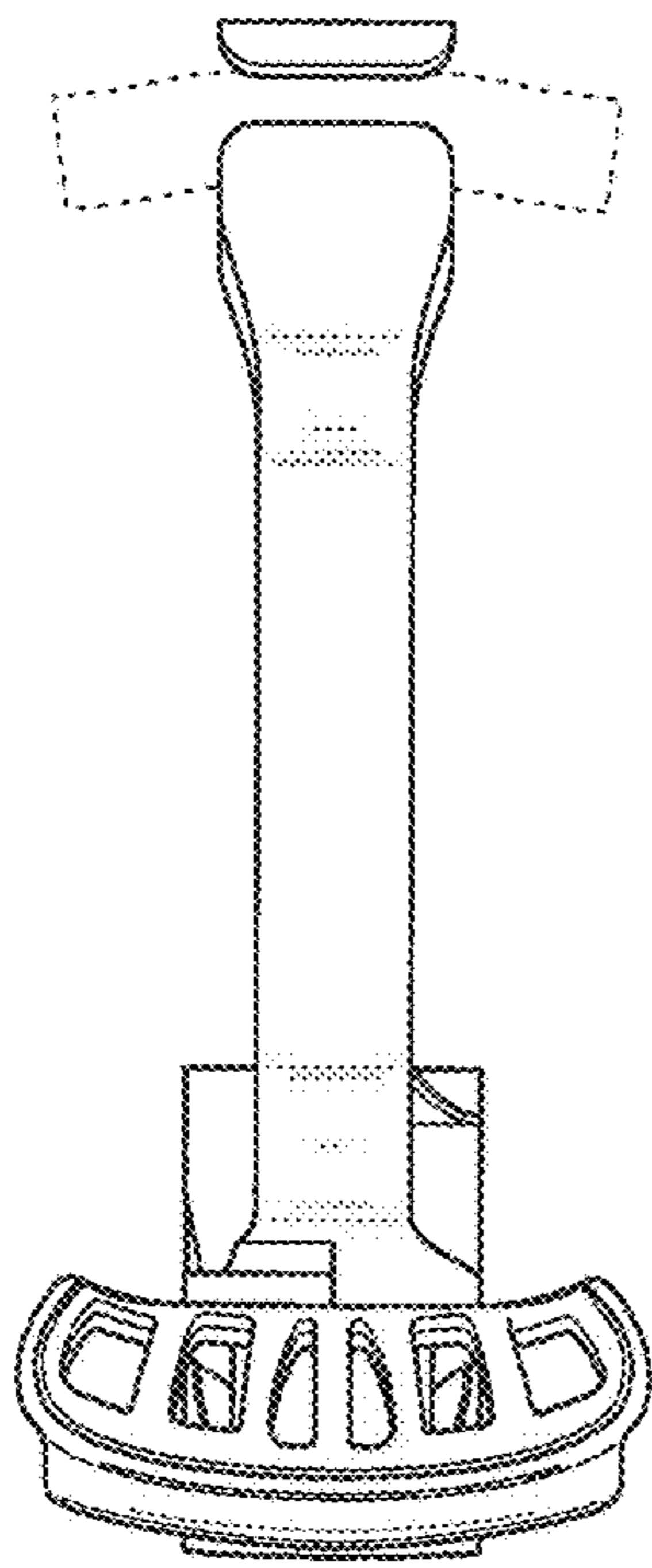


FIG. 3

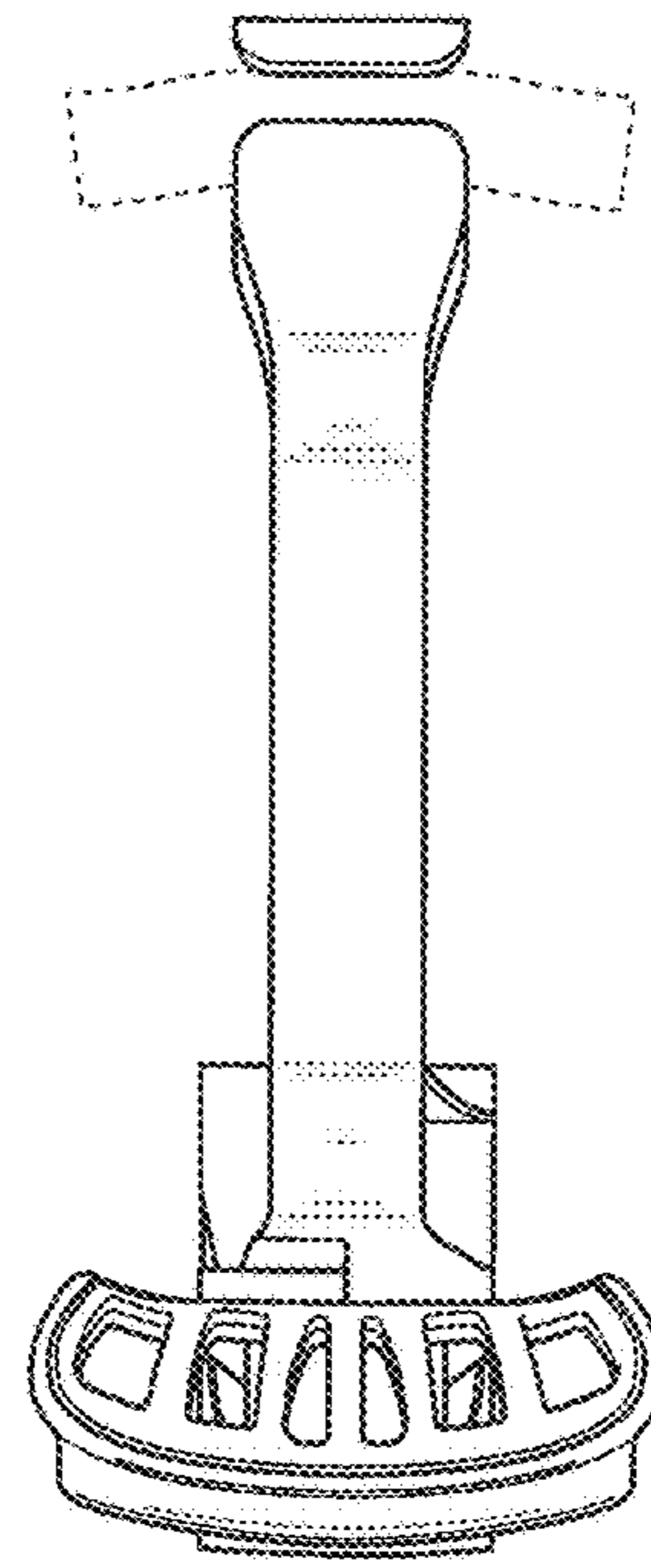


FIG. 5

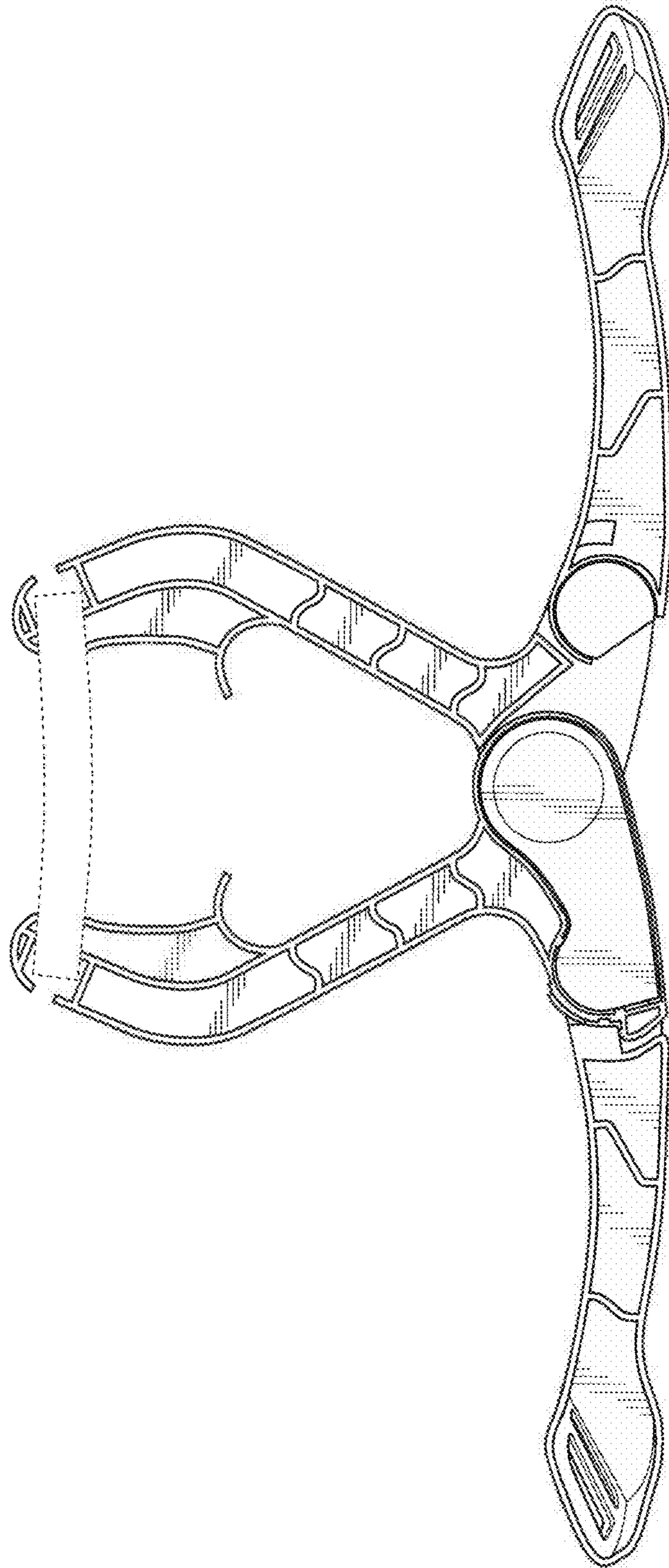


FIG. 4

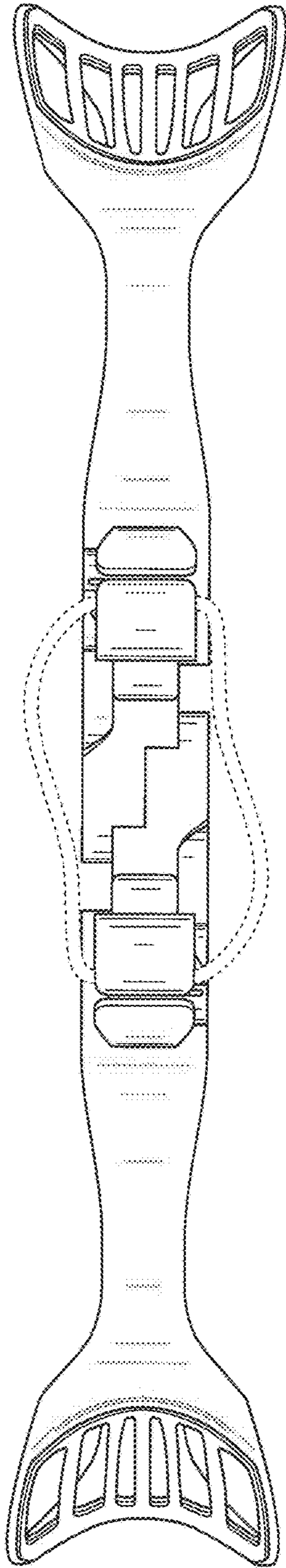


FIG. 6

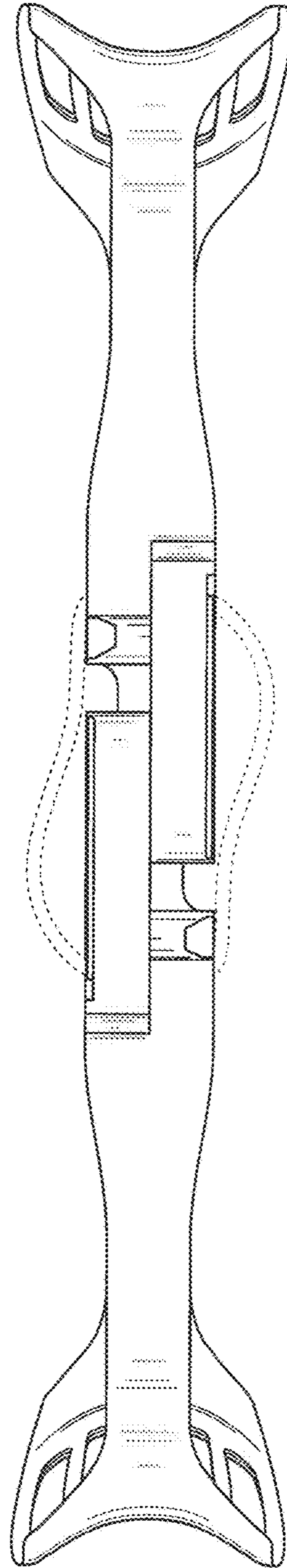


FIG. 7

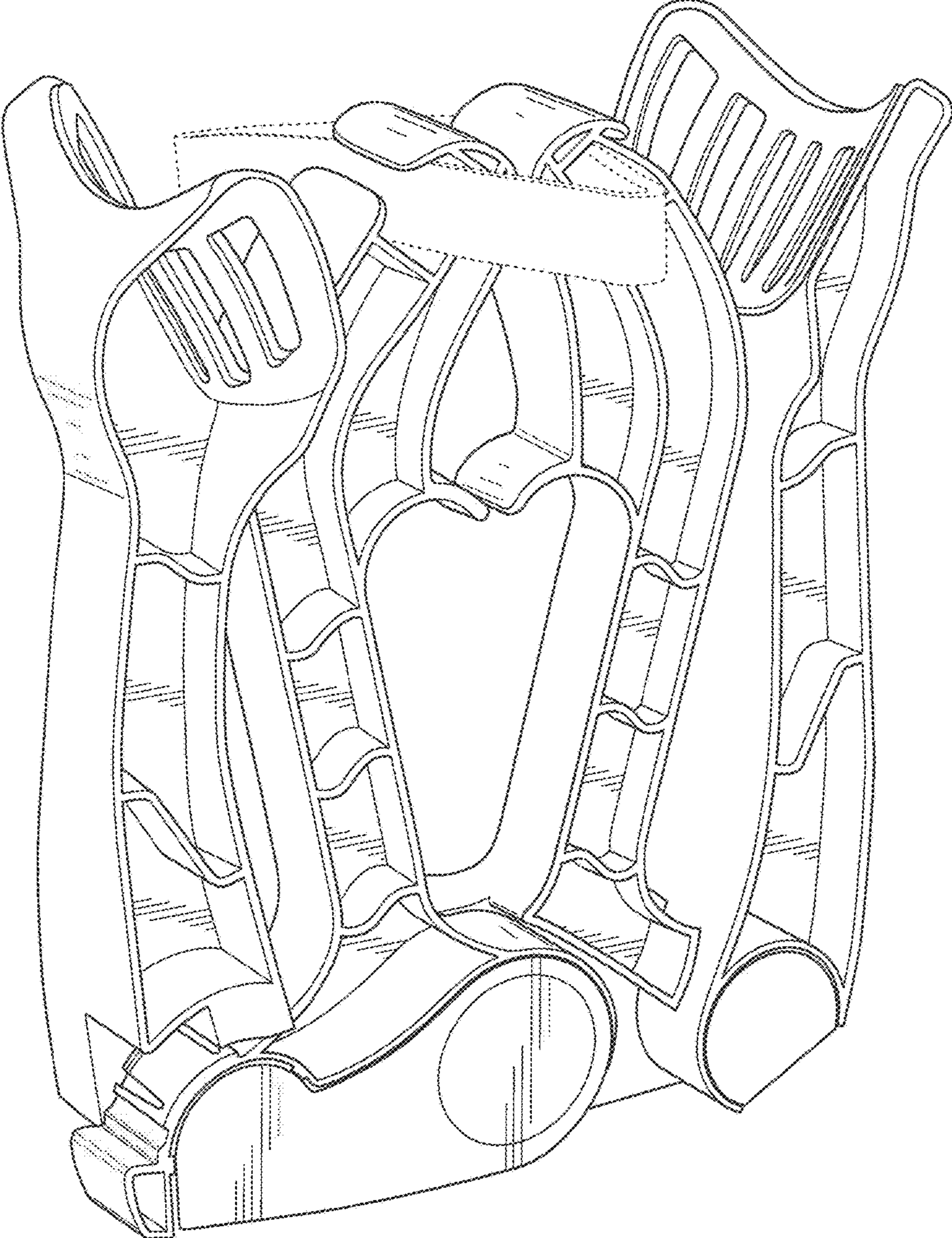


FIG. 8