



US00D827733S

(12) **United States Design Patent** (10) **Patent No.:** **US D827,733 S**
Hochstrasser (45) **Date of Patent:** **** Sep. 4, 2018**

(54) **TREADMILL**
(71) Applicant: **ICON Health & Fitness, Inc.**, Logan, UT (US)
(72) Inventor: **Ryan Hochstrasser**, Hyrum, UT (US)
(73) Assignee: **ICON Health & Fitness, Inc.**, Logan, UT (US)
(**) Term: **15 Years**

9,005,085 B2 * 4/2015 Astilean A63B 22/02 482/54
D751,156 S * 3/2016 Tasca D21/669
9,675,839 B2 * 6/2017 Dalebout A63B 22/02
2002/0151413 A1 * 10/2002 Dalebout A63B 22/02 482/54
2009/0017991 A1 * 1/2009 Hung G06F 19/3481 482/8
2014/0066263 A1 * 3/2014 Huang A63B 71/0054 482/54
2014/0113770 A1 * 4/2014 Yim A63B 24/0062 482/8

(Continued)

(21) Appl. No.: **29/564,567**
(22) Filed: **May 13, 2016**
(51) **LOC (11) Cl.** **21-02**
(52) **U.S. Cl.** **D21/669**
USPC **D21/669**
(58) **Field of Classification Search**
USPC D21/662, 668, 669, 670, 671
CPC A63B 24/0062; A63B 24/0087; A63B 24/0075; A63B 22/0605; A63B 2024/0065; A63B 21/225; A63B 21/4034; A63B 21/4035; A63B 2220/12; A63B 22/02; A63B 22/0664; A63B 71/0622; A63B 2024/0068; A63B 2024/0093
See application file for complete search history.

OTHER PUBLICATIONS

iFit Treadmill's Giant OLED Screen Lets You Run Anywhere, [online], [site visited Oct. 23, 2017]. Available from Internet, URL: <https://www.tomsguide.com/us/ifit-nordictrack-escape-treadmill-oled,news-22040.html>.*

(Continued)

Primary Examiner — Caron D Veynar
Assistant Examiner — Katrina N Gonzalez

(57) **CLAIM**

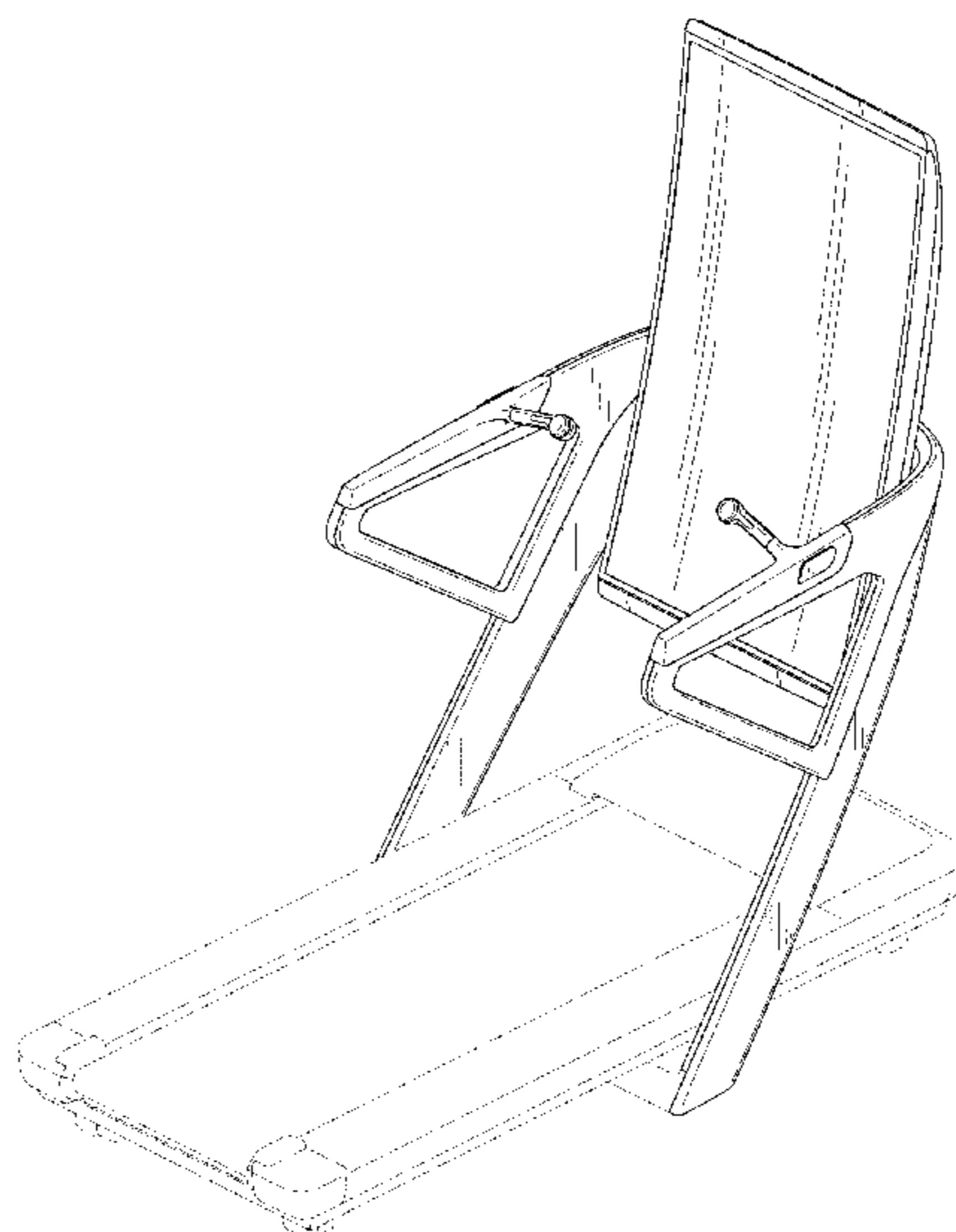
The ornamental design for a treadmill, as shown and described.

DESCRIPTION

FIG. 1 is a perspective view of a treadmill of the present invention;
FIG. 2 is a first end view of the treadmill of FIG. 1;
FIG. 3 is a second end view of the treadmill of FIG. 1;
FIG. 4 is a right side view of the treadmill of FIG. 1;
FIG. 5 is a left side view of the treadmill of FIG. 1;
FIG. 6 is a top view of the treadmill of FIG. 1; and,
FIG. 7 is a bottom view of the treadmill of FIG. 1.
The broken lines are shown for the purpose of illustrating parts of the treadmill that form no part of the claimed design.

1 Claim, 6 Drawing Sheets

(56) **References Cited**
U.S. PATENT DOCUMENTS
5,899,834 A * 5/1999 Dalebout A63B 22/02 482/54
D416,596 S * 11/1999 Armstrong D21/694
D521,577 S * 5/2006 Wu D21/669
D531,683 S * 11/2006 Choi D21/669
D579,992 S * 11/2008 Cesaroni D21/694
D624,975 S * 10/2010 Flick D21/669
D690,782 S * 10/2013 Perkins D21/669
D704,778 S * 5/2014 Decommer D21/669
8,864,627 B2 * 10/2014 Bayerlein A63B 21/0053 482/2



(56)

References Cited

U.S. PATENT DOCUMENTS

2014/0121066 A1* 5/2014 Huang A63B 22/02
482/54
2014/0274579 A1* 9/2014 Olson A63B 22/0235
482/54
2015/0367169 A1* 12/2015 Ashby G10K 11/178
482/4
2016/0096064 A1* 4/2016 Gatti A63B 22/02
482/54

OTHER PUBLICATIONS

iFit NordicTrack Escape Treadmill Release Date, [online], [site visited Oct. 23, 2017]. Available from Internet, URL:<https://www.cnet.com/au/products/ifit-nordictrack-escape-treadmill/preview/>.*

* cited by examiner

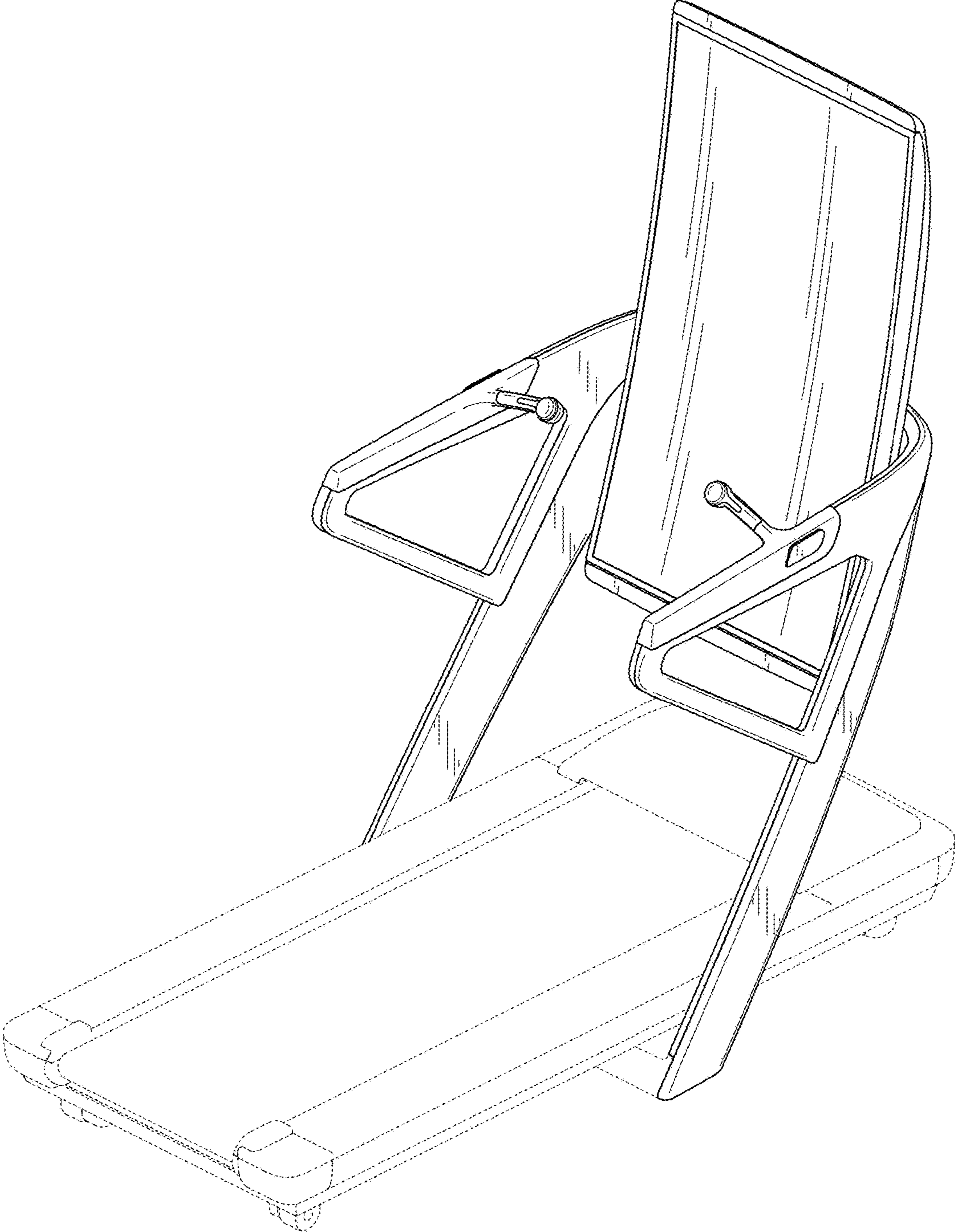


FIG. 1

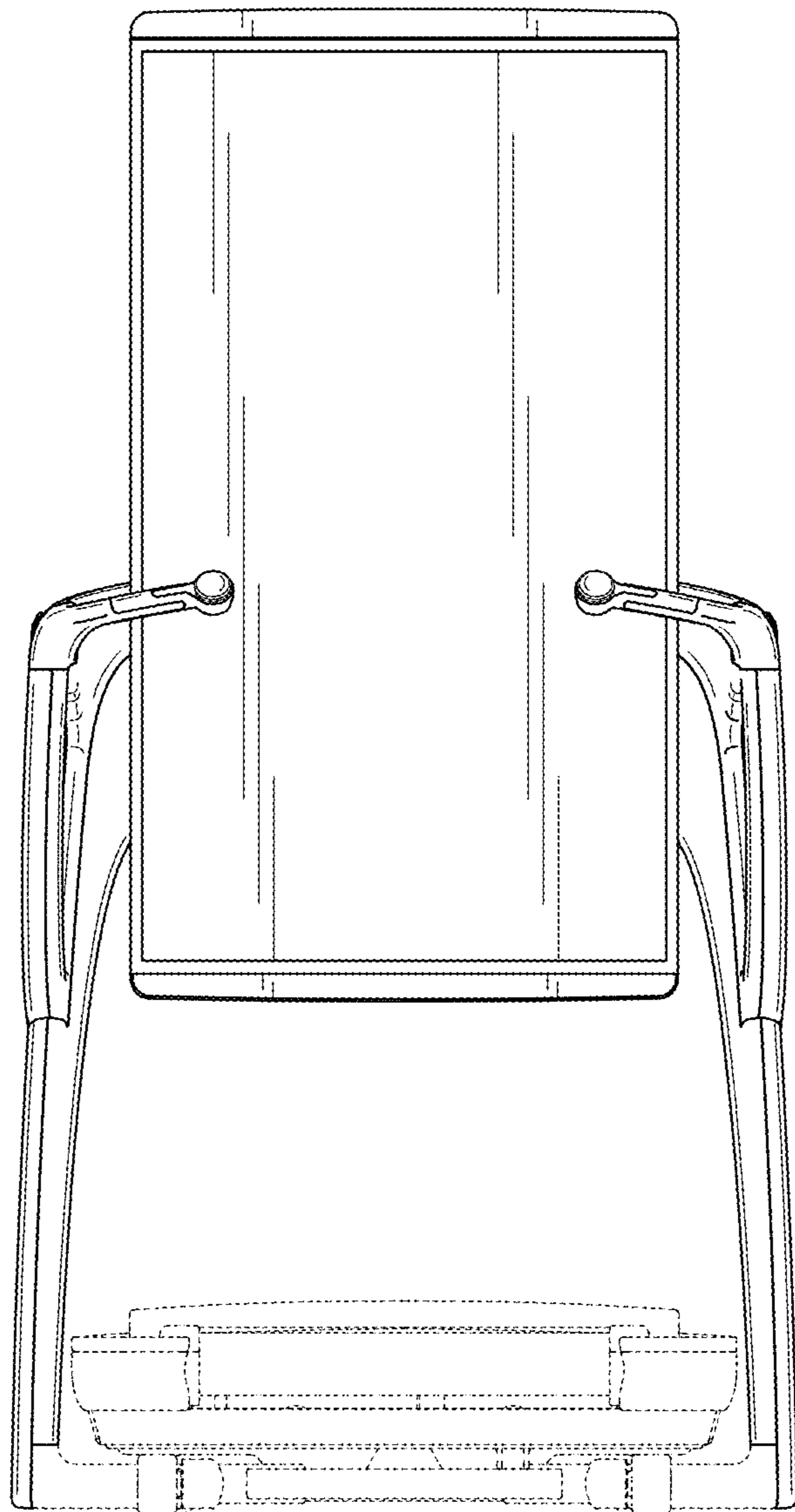


FIG. 2

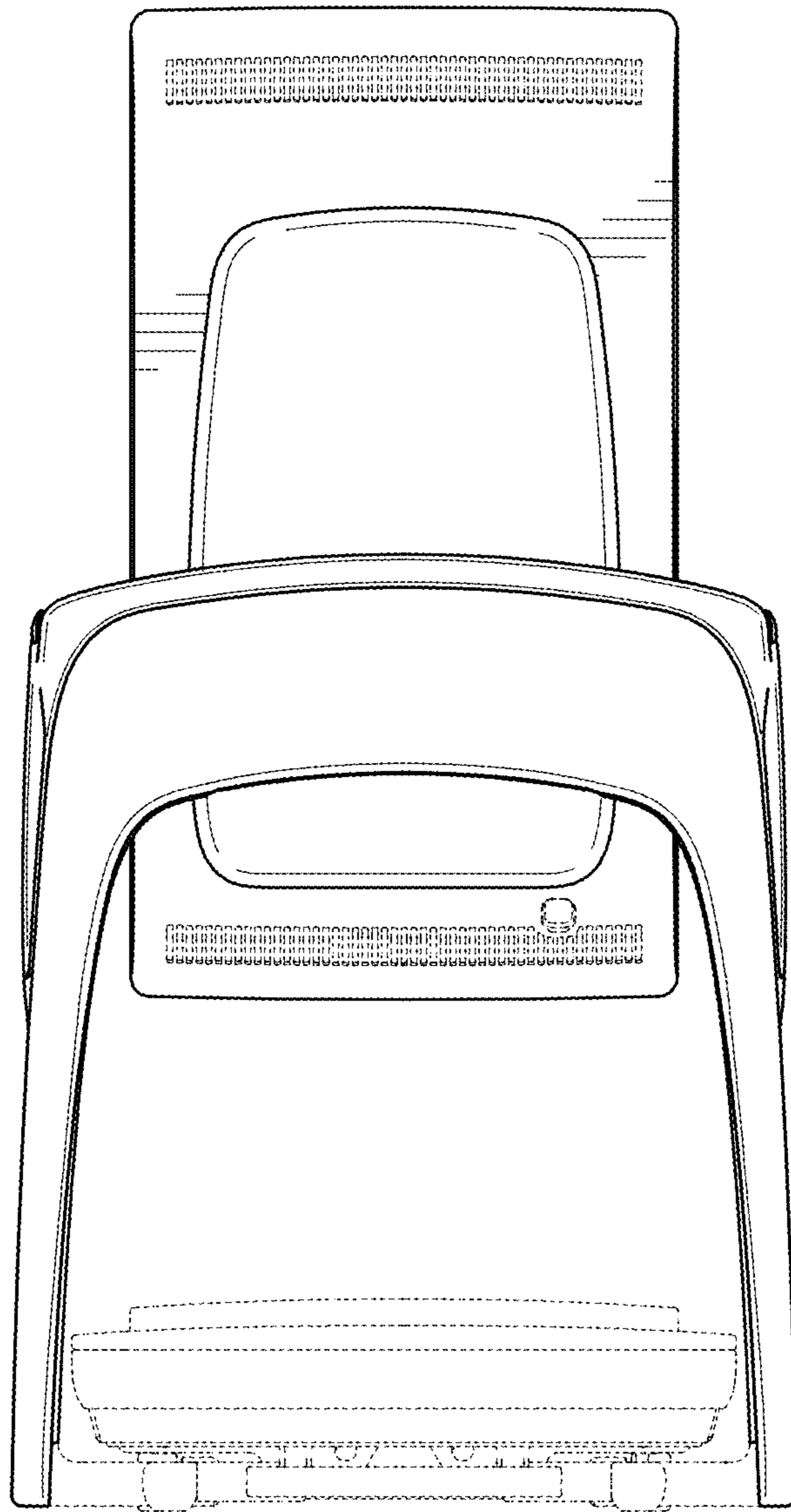


FIG. 3

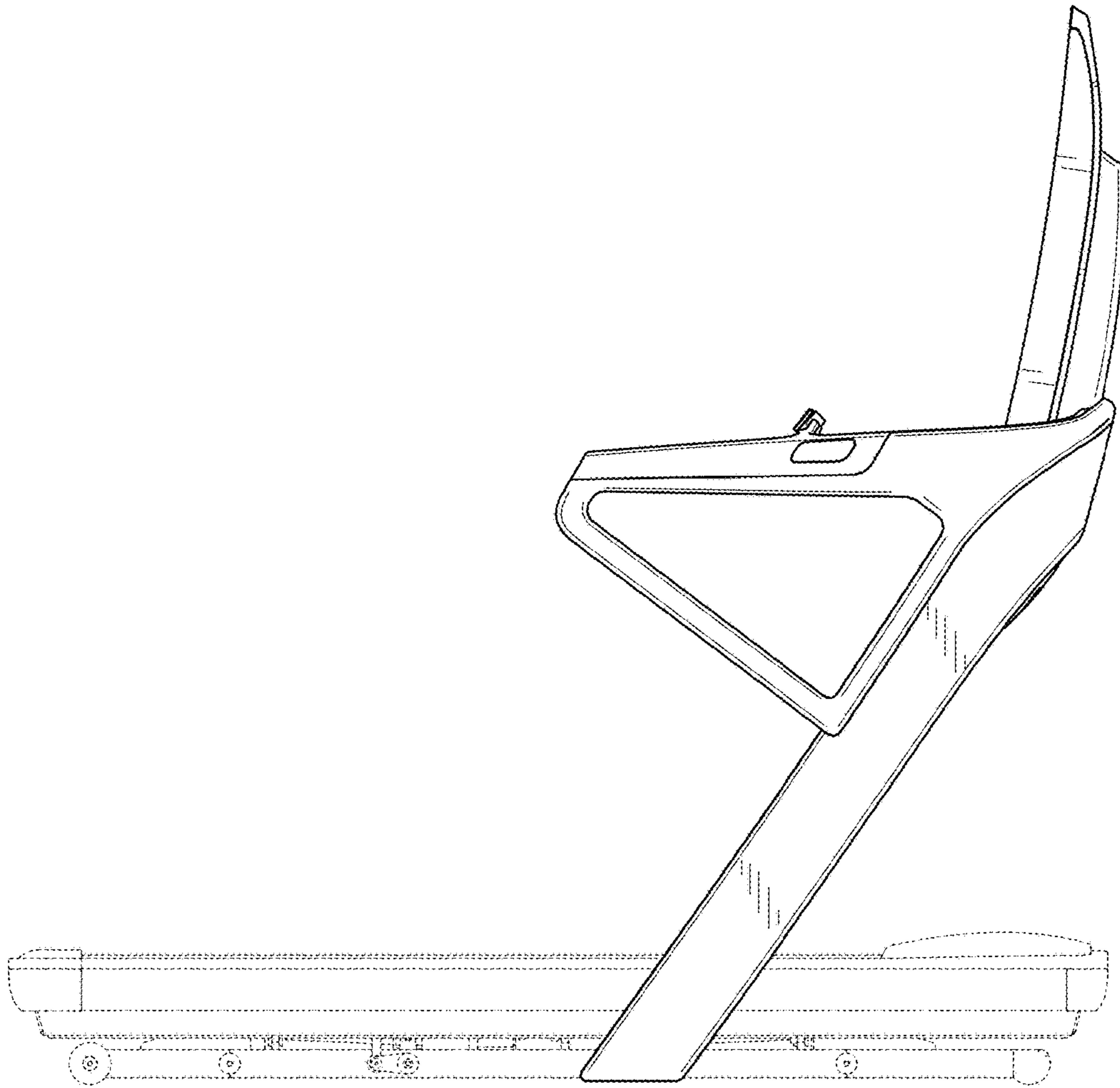


FIG. 4

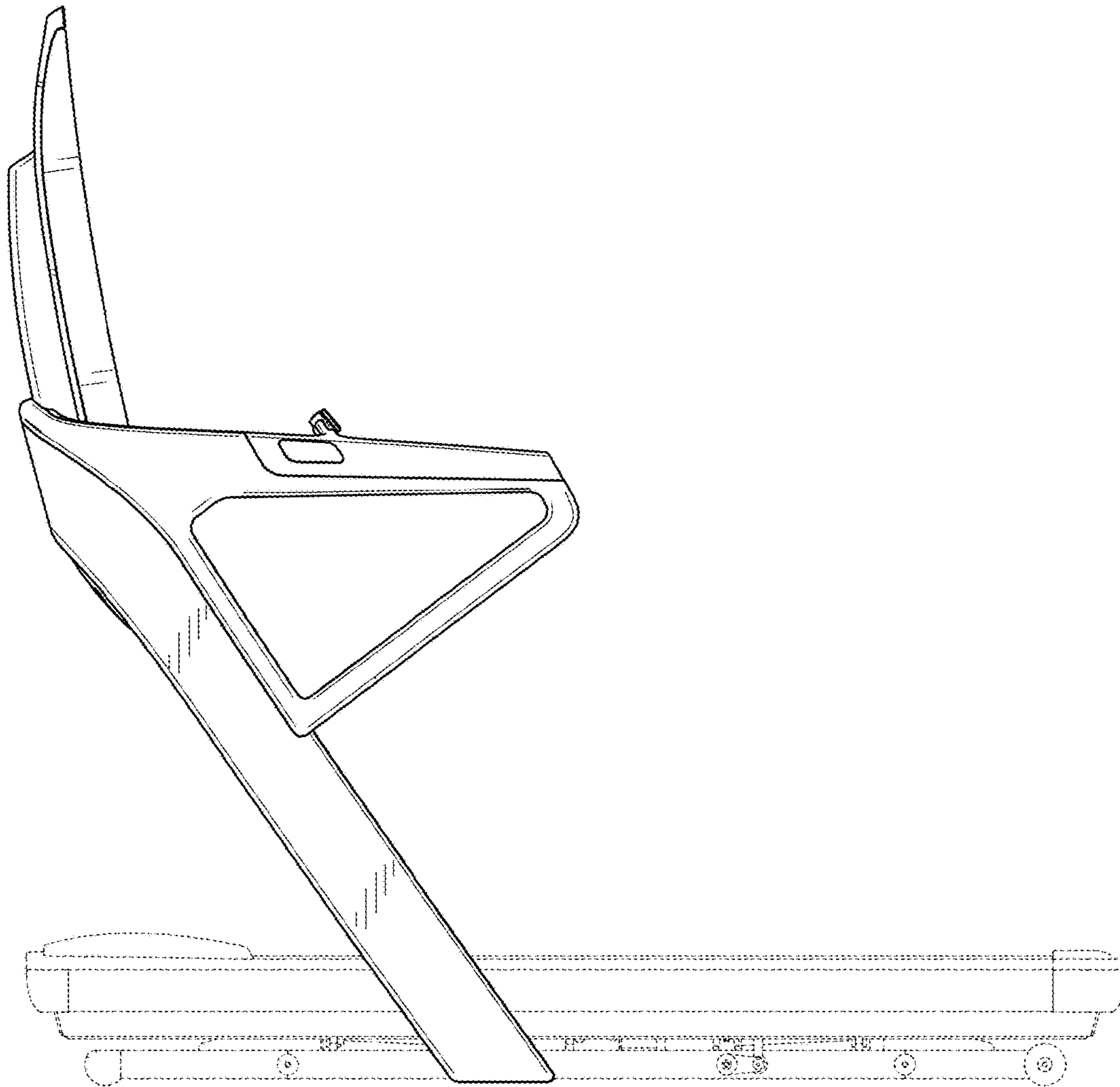


FIG. 5

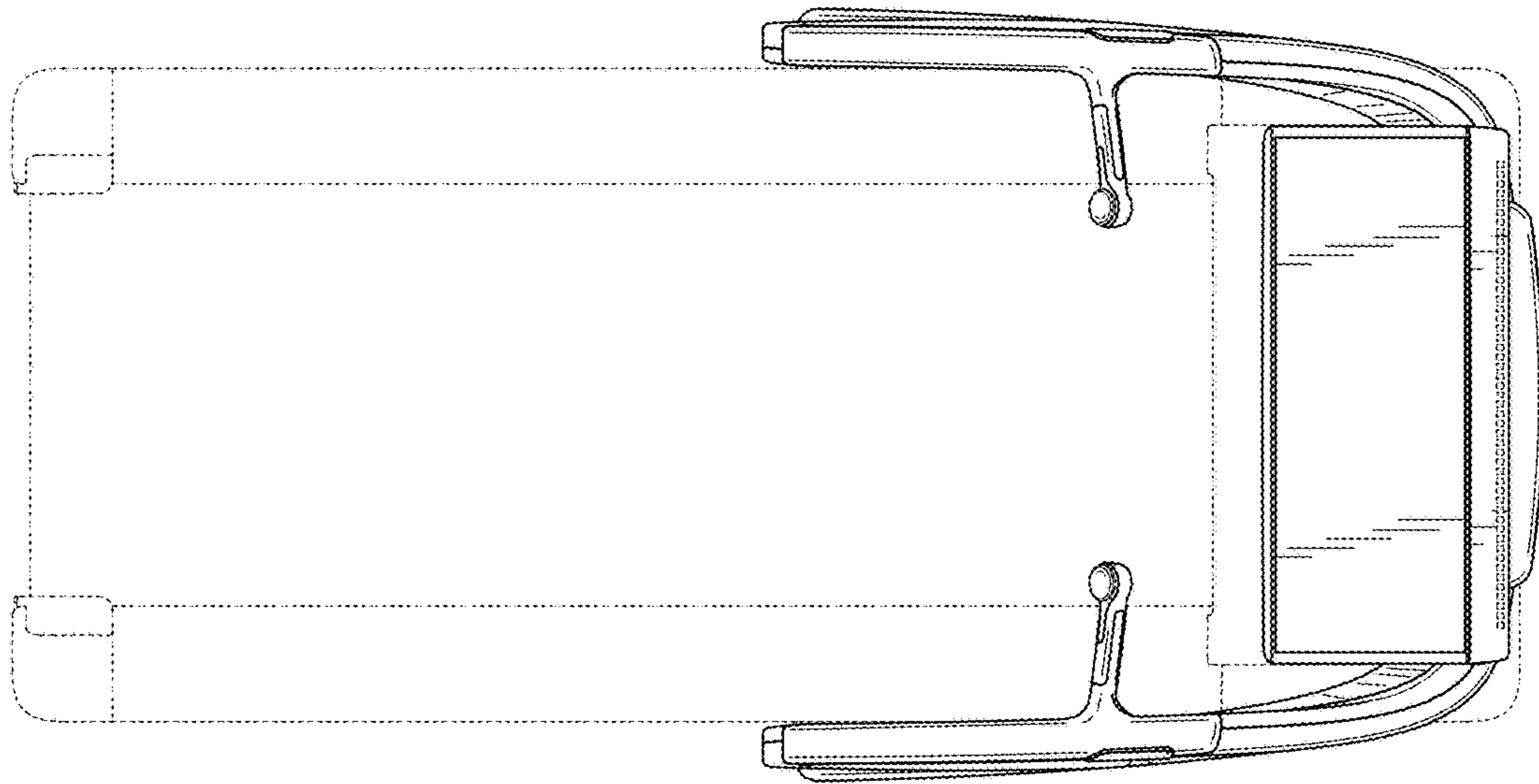


FIG. 6

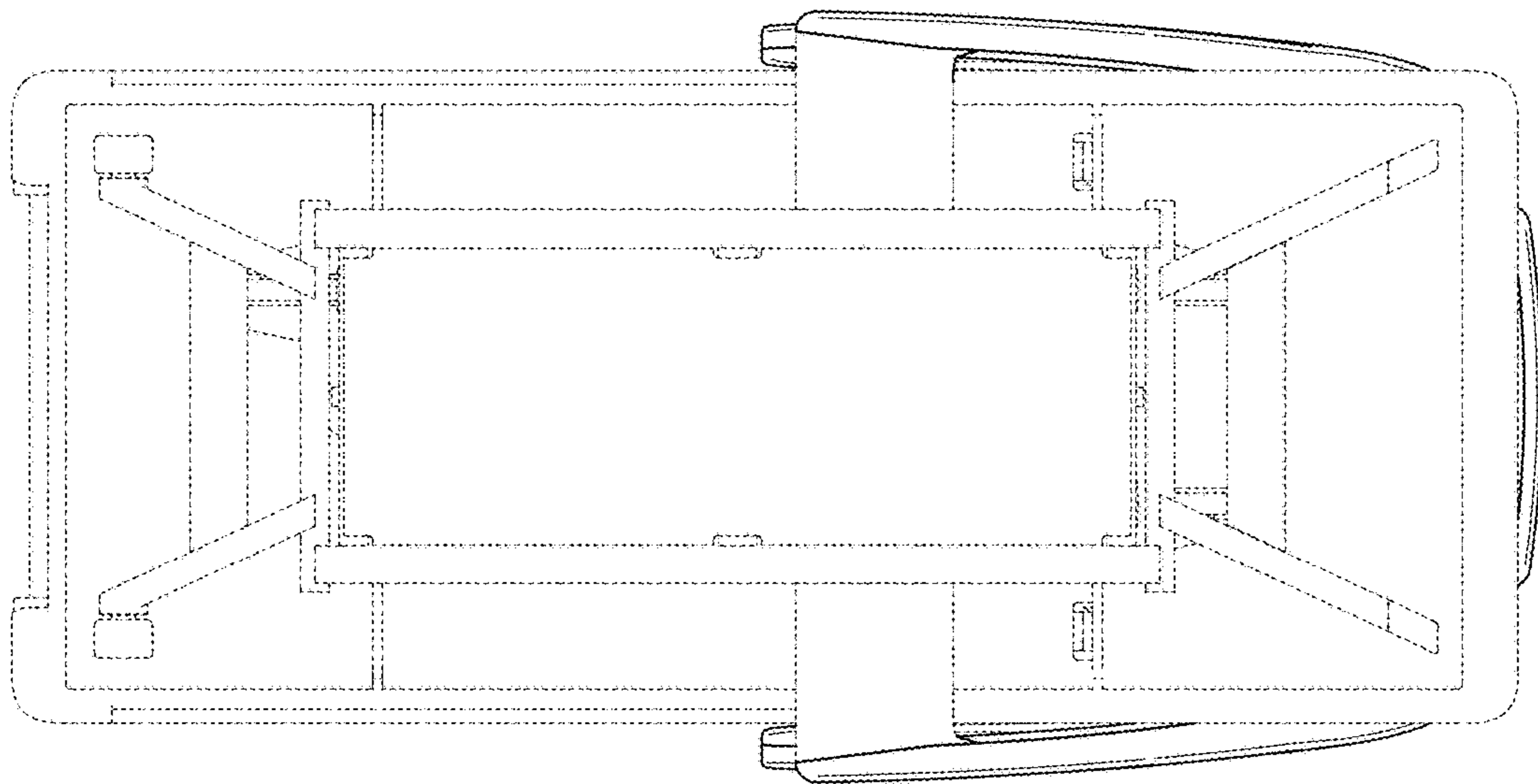


FIG. 7