



US00D827727S

(12) **United States Design Patent** (10) **Patent No.:** **US D827,727 S**  
**McLachlan et al.** (45) **Date of Patent:** **\*\* Sep. 4, 2018**

(54) **HANDHELD TOUCH OBJECT**  
(71) Applicant: **Antsy Labs, LLC**, Dacono, CO (US)  
(72) Inventors: **Matthew McLachlan**, Dacono, CO (US); **Mark McLachlan**, Frederick, CO (US)

3,488,880 A 1/1970 Taylor  
D251,993 S 5/1979 Birdsall  
D262,549 S 1/1982 Clanton  
D269,984 S 8/1983 McKechnie  
(Continued)

**FOREIGN PATENT DOCUMENTS**

(73) Assignee: **Antsy Labs, LLC**, Dacono, CO (US)  
(\*\*) Term: **15 Years**

CN 300713262 11/2007  
CN 301999293 7/2012  
(Continued)

(21) Appl. No.: **29/636,892**  
(22) Filed: **Feb. 12, 2018**

**OTHER PUBLICATIONS**

**Related U.S. Application Data**

Antsy Labs Fidget Cube, YouTube video published Aug. 31, 2016 at <https://www.youtube.com/watch?v=m5eq0TVxCKw> : Screen shots of the main page and 2:02, 3:28, 3:51, 3:56, 3:59, 4:06, 4:07, 4:14, 4:15, 4:22, 4:24, 4:32, 4:36, 4:43, 4:56, 4:52. [accessed Mar. 2, 2018] (Year: 2016).\*

(63) Continuation of application No. 29/590,129, filed on Jan. 6, 2017, now Pat. No. Des. 818,054.

(51) **LOC (11) Cl.** ..... **21-01**

(Continued)

(52) **U.S. Cl.**  
USPC ..... **D21/468**; D21/398; D21/475

*Primary Examiner* — Catherine A Tuttle  
(74) *Attorney, Agent, or Firm* — Polsinelli PC

(58) **Field of Classification Search**

USPC ..... D21/300, 324, 331, 333, 385, 386, 373, D21/398, 404, 405, 406, 468, 471, 475, D21/476, 478, 479, 499; D3/208; D99/99; D19/59, 60, 95, 100; D24/200, D24/211, 214; D14/357, 358, 388, 400, D14/401, 412, 415, 454-457; 446/71, 446/227, 236, 397, 404, 487, 489, 491; D13/158-178  
CPC ..... A63H 5/00; A63H 33/00; A63H 2200/00; A63F 2009/0007; A63F 2009/0027; A63F 2009/0049; A63F 2009/2402-2009/241; A63F 2009/2438; A63F 9/001; A63F 9/0826; A63F 2250/025; A63F 2250/48  
See application file for complete search history.

(57) **CLAIM**

The ornamental design for a handheld touch object, as shown and described.

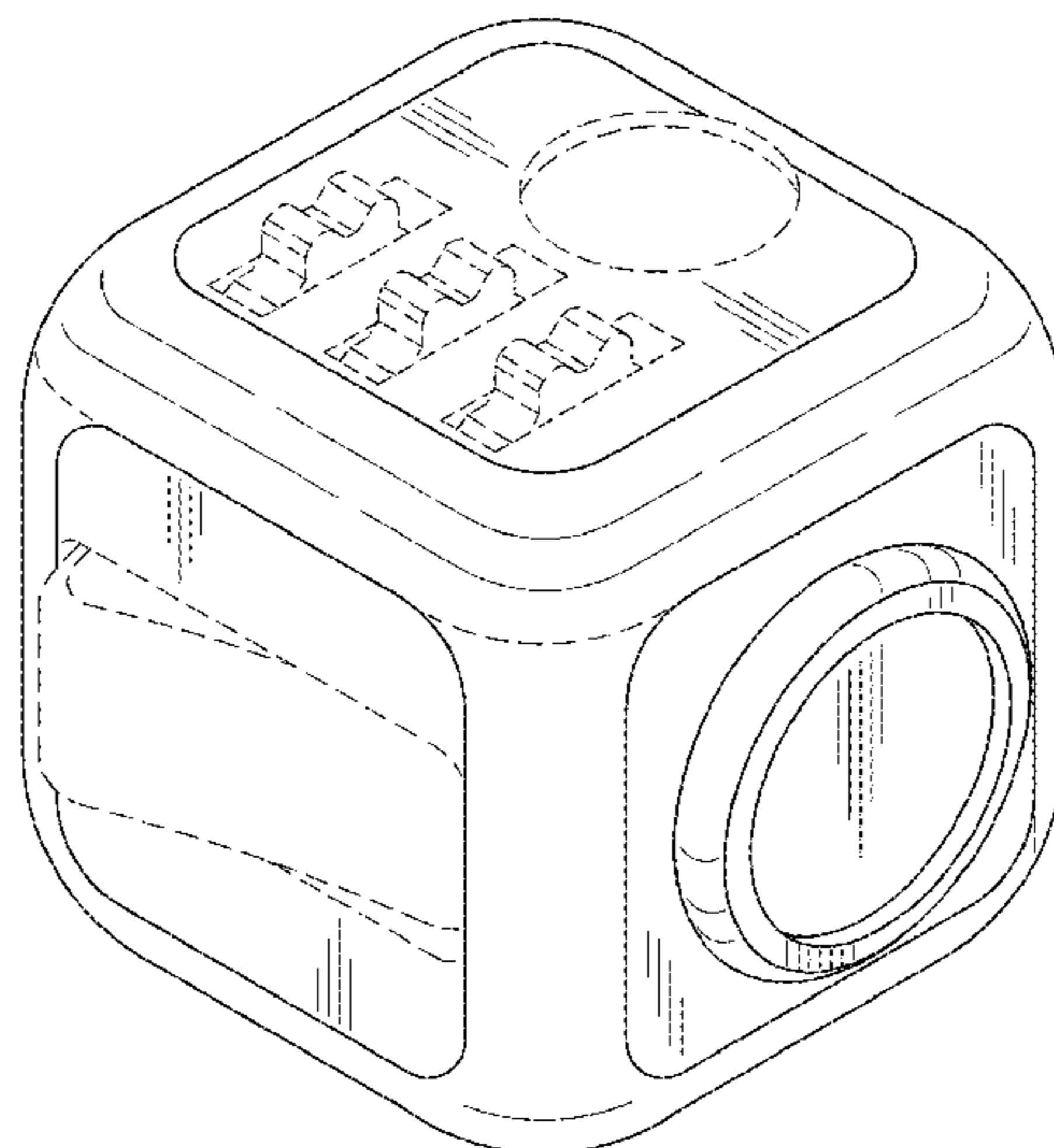
**DESCRIPTION**

FIG. 1 is a top, front and left perspective view showing our new design for the handheld touch object.  
FIG. 2 is a front view thereof.  
FIG. 3 is a back view thereof.  
FIG. 4 is a top view thereof.  
FIG. 5 is a bottom view thereof.  
FIG. 6 is a right side view thereof; and,  
FIG. 7 is a left side view thereof.  
The dashed lines represent features of the handheld touch object that form no part of the claimed design.

(56) **References Cited**  
U.S. PATENT DOCUMENTS

2,999,688 A 9/1961 Gabriclson  
3,225,460 A 12/1965 Randell et al.

**1 Claim, 4 Drawing Sheets**



(56)

References Cited

U.S. PATENT DOCUMENTS

D273,688 S 5/1984 Rocco  
 4,698,023 A 10/1987 Marino  
 D296,451 S \* 6/1988 Ming ..... D21/470  
 D319,803 S 9/1991 Traner  
 5,249,808 A 10/1993 Batté  
 5,292,276 A 3/1994 Manalo  
 D366,506 S 1/1996 Lindquist  
 5,591,062 A 1/1997 Hettinger  
 D391,517 S 3/1998 Gusky  
 D391,999 S 3/1998 Chininis  
 D404,826 S 1/1999 Cherry  
 6,200,193 B1 3/2001 Nadel  
 D446,826 S 8/2001 Dunn et al.  
 D464,682 S \* 10/2002 Lin ..... D21/499  
 6,461,216 B1 10/2002 Applewhite et al.  
 6,491,562 B1 12/2002 Jackson  
 D490,483 S 5/2004 Auberger  
 6,893,316 B2 5/2005 Maxwell et al.  
 D506,023 S 6/2005 Huang  
 7,044,827 B1 5/2006 Krull  
 D531,229 S 10/2006 Vanbeneden  
 7,238,026 B2 7/2007 Brown et al.  
 7,361,075 B1 4/2008 Krull  
 D579,057 S 10/2008 Arms  
 D584,312 S \* 1/2009 Bishop ..... D14/412  
 7,677,946 B2 3/2010 Mayer  
 D616,045 S 5/2010 Tervo  
 8,033,547 B1 10/2011 Bryce  
 D667,382 S \* 9/2012 Cosentino ..... D13/168  
 8,408,549 B2 4/2013 Howard et al.  
 D698,869 S \* 2/2014 Strzelewicz ..... D21/499  
 D710,951 S 8/2014 Robertson et al.  
 D718,715 S 12/2014 Si  
 D722,658 S 2/2015 Marschall et al.  
 D725,049 S \* 3/2015 Paredes ..... D13/168  
 D745,903 S 12/2015 Armani  
 D754,263 S 4/2016 Wolff  
 D760,324 S 6/2016 Akimoto  
 D760,825 S \* 7/2016 Solorzano et al. .... D15/122  
 D761,230 S 7/2016 Si  
 D763,972 S 8/2016 Kiribuchi  
 D806,178 S \* 12/2017 Chow ..... D21/475  
 2009/0325458 A1 12/2009 Liu

2015/0125838 A1 5/2015 Pack  
 2015/0202544 A1 7/2015 Snee, Jr. et al.  
 2016/0030854 A1 2/2016 Shaanti

FOREIGN PATENT DOCUMENTS

CN 303997727 1/2017  
 CN 304082333 3/2017  
 EM DM/096997 3/2017  
 JP D1236629 \* 4/2005

OTHER PUBLICATIONS

U.S. Appl. No. 29/590,129, filed Jan. 6, 2017, McLachlan et al.  
 U.S. Appl. No. 29/615,501, filed Aug. 29, 2017, McLachlan et al.  
 Antsy Labs, "Fidget Cube", youtube video, published Aug. 31, 2016, <https://www.youtube.com/watch?v=m5eq0TVxCKw>.  
 Fancy White. Latest stress relief colorful mini fidget cube magic small toys for kids. [https://www.alibaba.com/product-detail/Latest-stress-relief-colorful-mini-fidget\\_60573942317.html](https://www.alibaba.com/product-detail/Latest-stress-relief-colorful-mini-fidget_60573942317.html). Webpage accessed Jul. 18, 2017.  
 Fidget Cube: A Vinyl Desk Toy. <https://web.archive.org/web/20160912092344/https://www.kickstarter.com/projects/antsylabs/fidget-cube-a-vinyl-desk-toy>. Web Archive capture date: Sep. 12, 2016, accessed Nov. 22, 2017. (Year 2016).  
 IceGo. Promo Fish Animal Shaped Stress Balls. <https://icego.com.au/product/promo-fish-animal-shaped-stress-balls>. Webpage accessed Jul. 18, 2017.  
 International Search Report and Written Opinion, PCT/US2017/049461, dated Nov. 20, 2017.  
 Newest Design 11 Styles Puzzle Magic Fidget Cube Stress Relief Toys. [https://www.alibaba.com/product-detail/Newest-Design-11-Styles-Puzzle-Magic\\_60588460525.html](https://www.alibaba.com/product-detail/Newest-Design-11-Styles-Puzzle-Magic_60588460525.html). Webpage accessed Jul. 18, 2017.  
 Polden J. Pop till you drop! 'Infinite bubble wrap' is the must-have toy for those permanently in need of stress relief. DailyMail.com. Published Jan. 14, 2016. <http://www.dailymail.co.uk/news/article-3398950/Pop-till-drop-Infinite-bubble-wrap-toy-permanently-need-stress-relief.html>.  
 Squidget. <http://www.squidgetinc.com>. Webpage accessed Jul. 18, 2017.

\* cited by examiner

FIG. 1

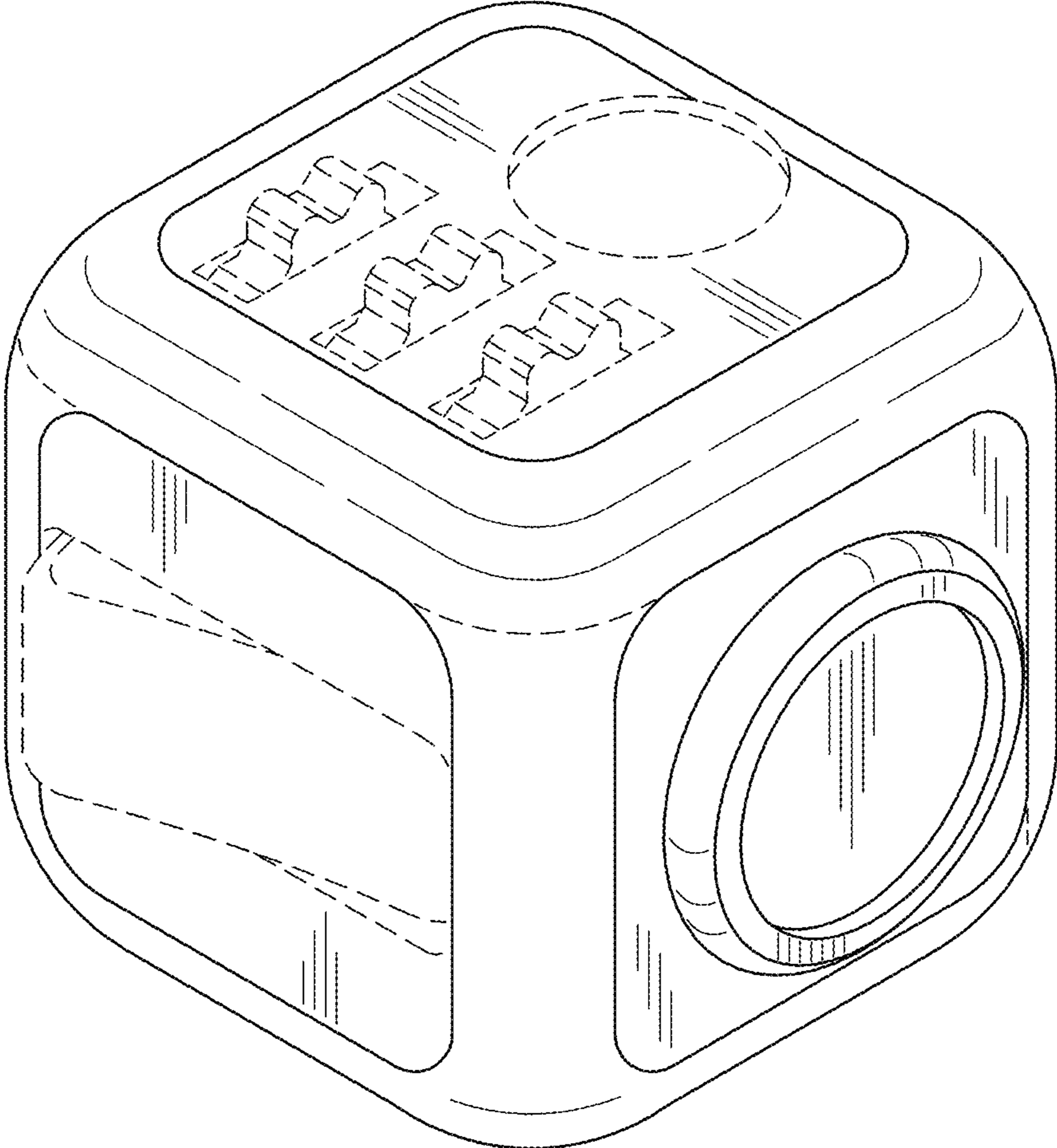


FIG. 2

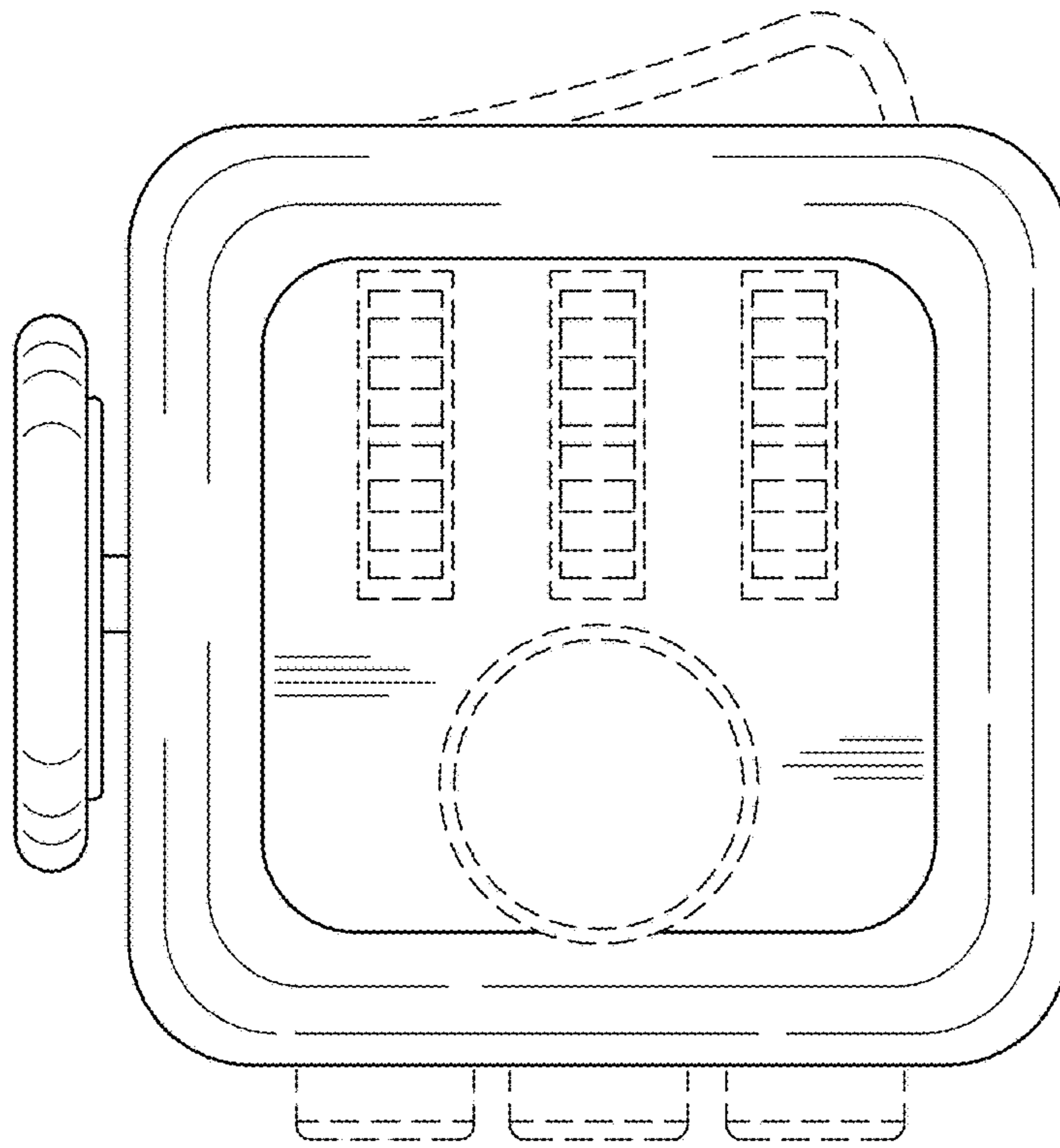


FIG. 3

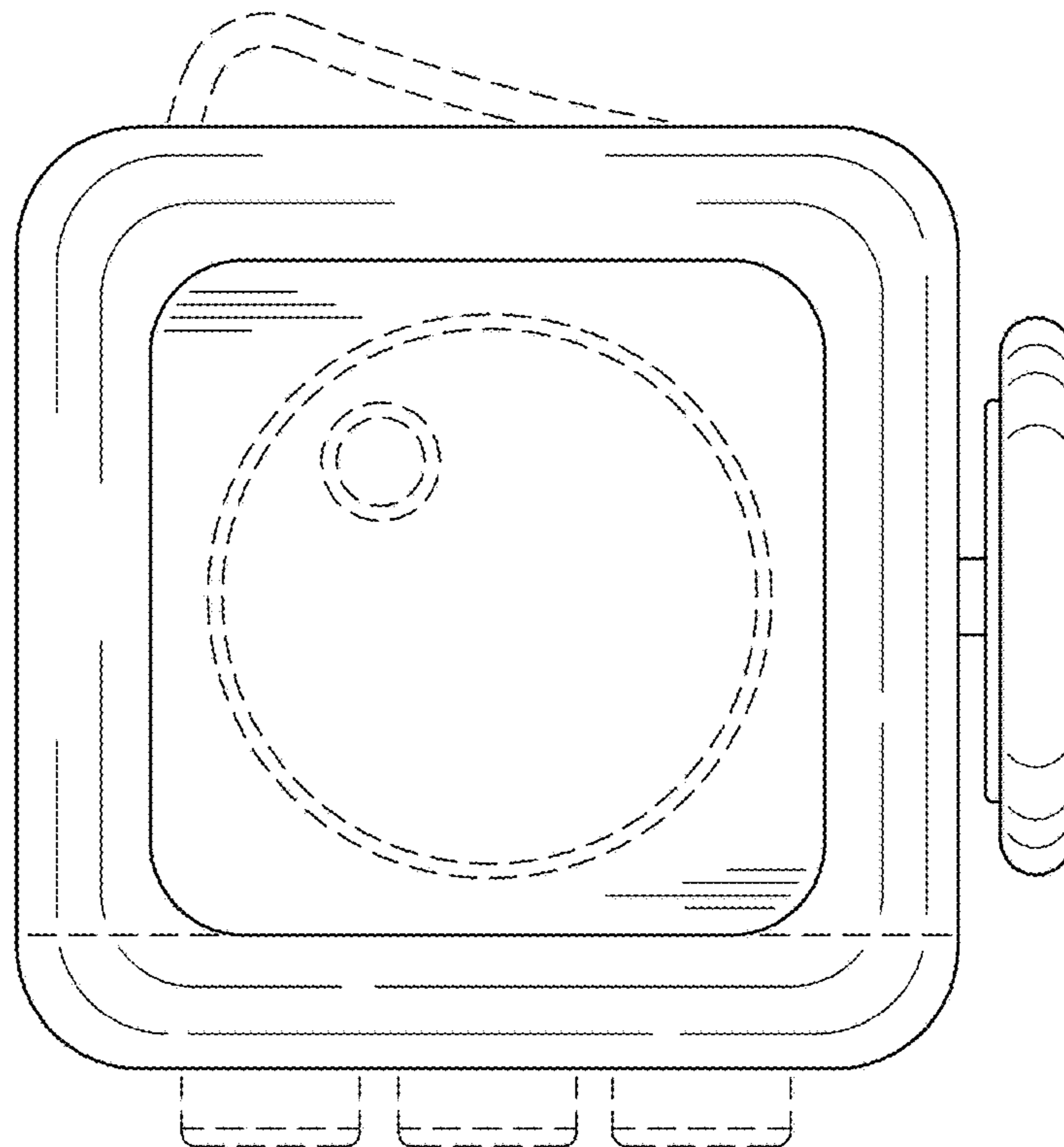


FIG. 4

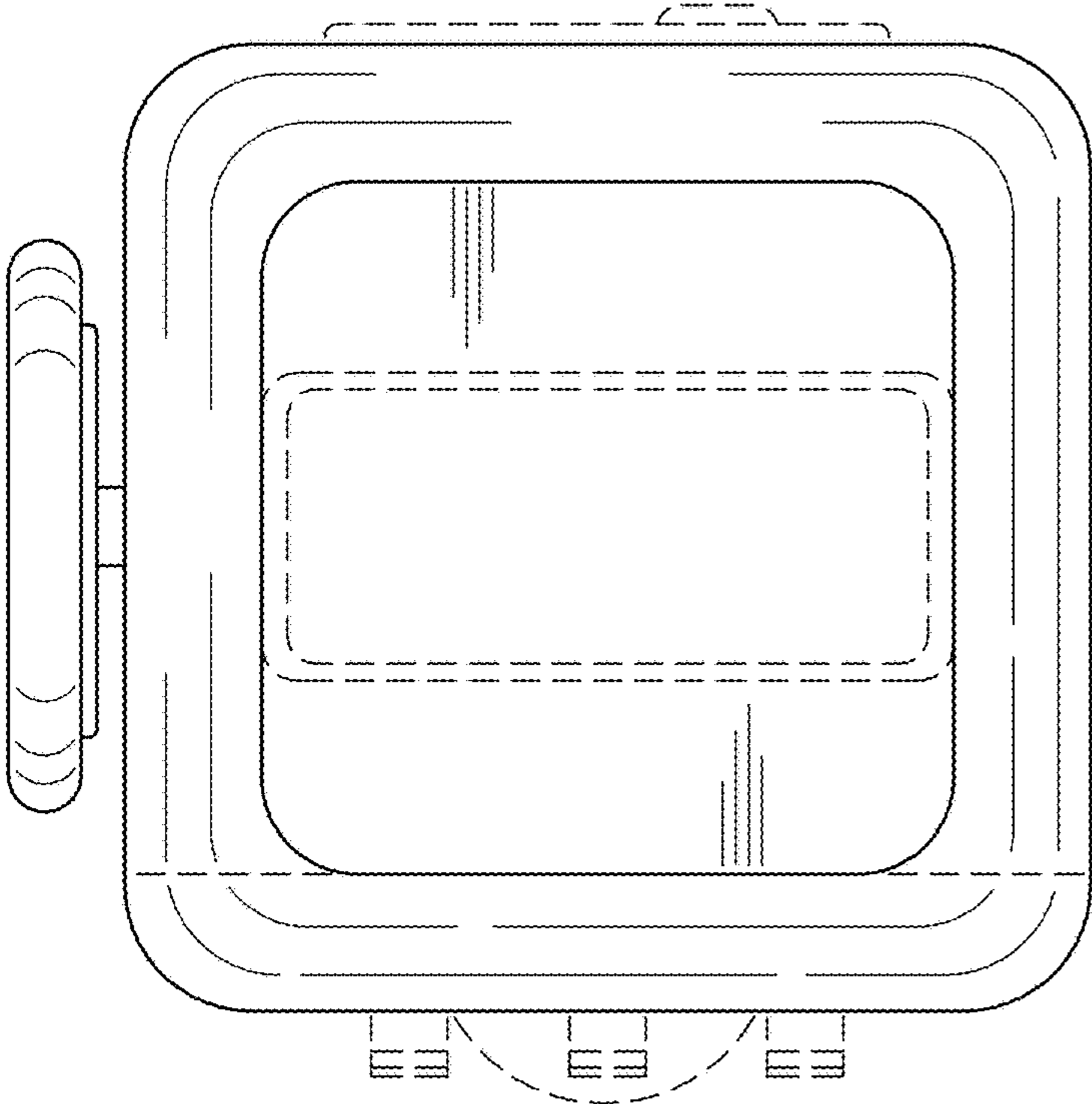


FIG. 5

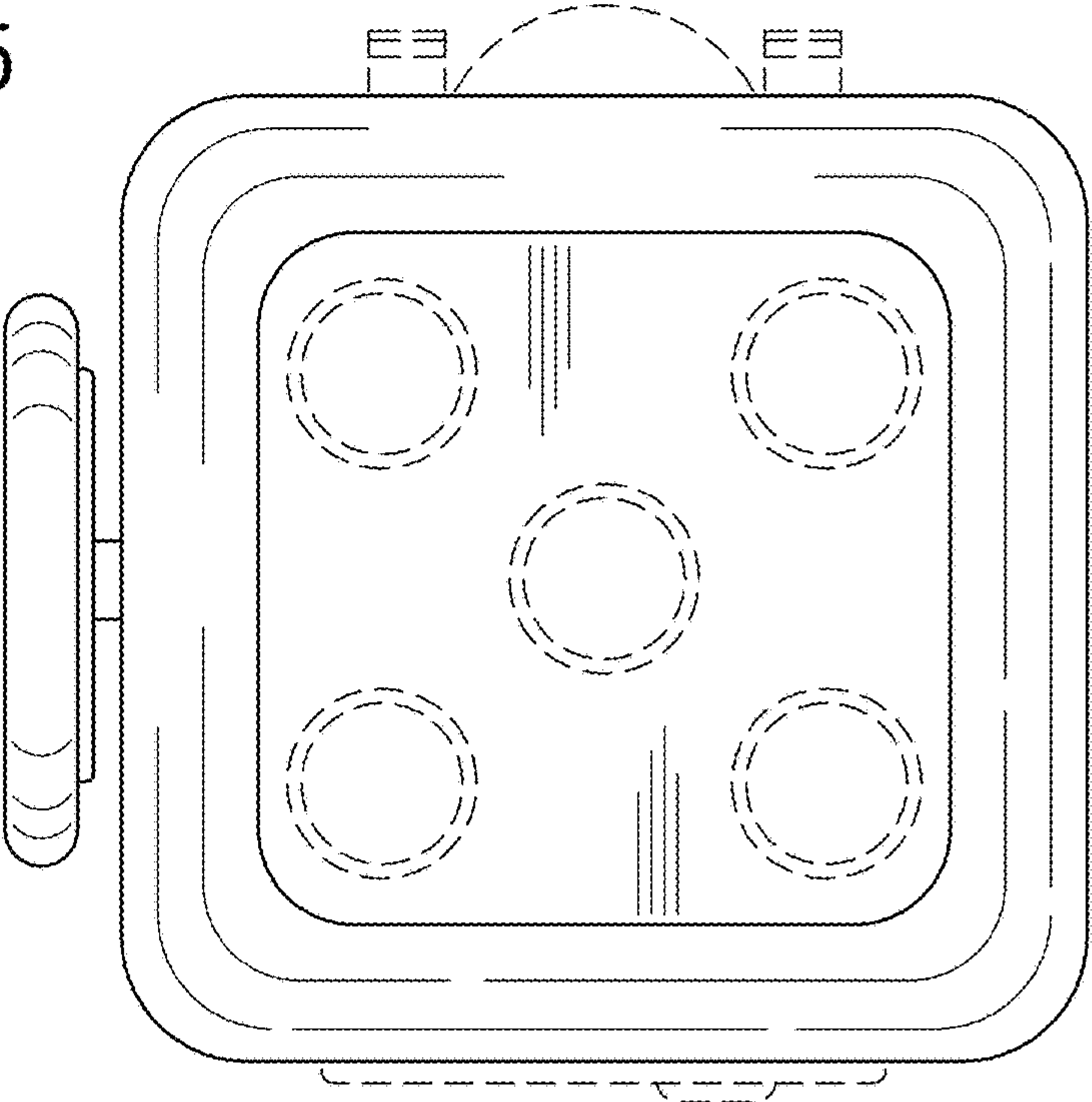


FIG. 6

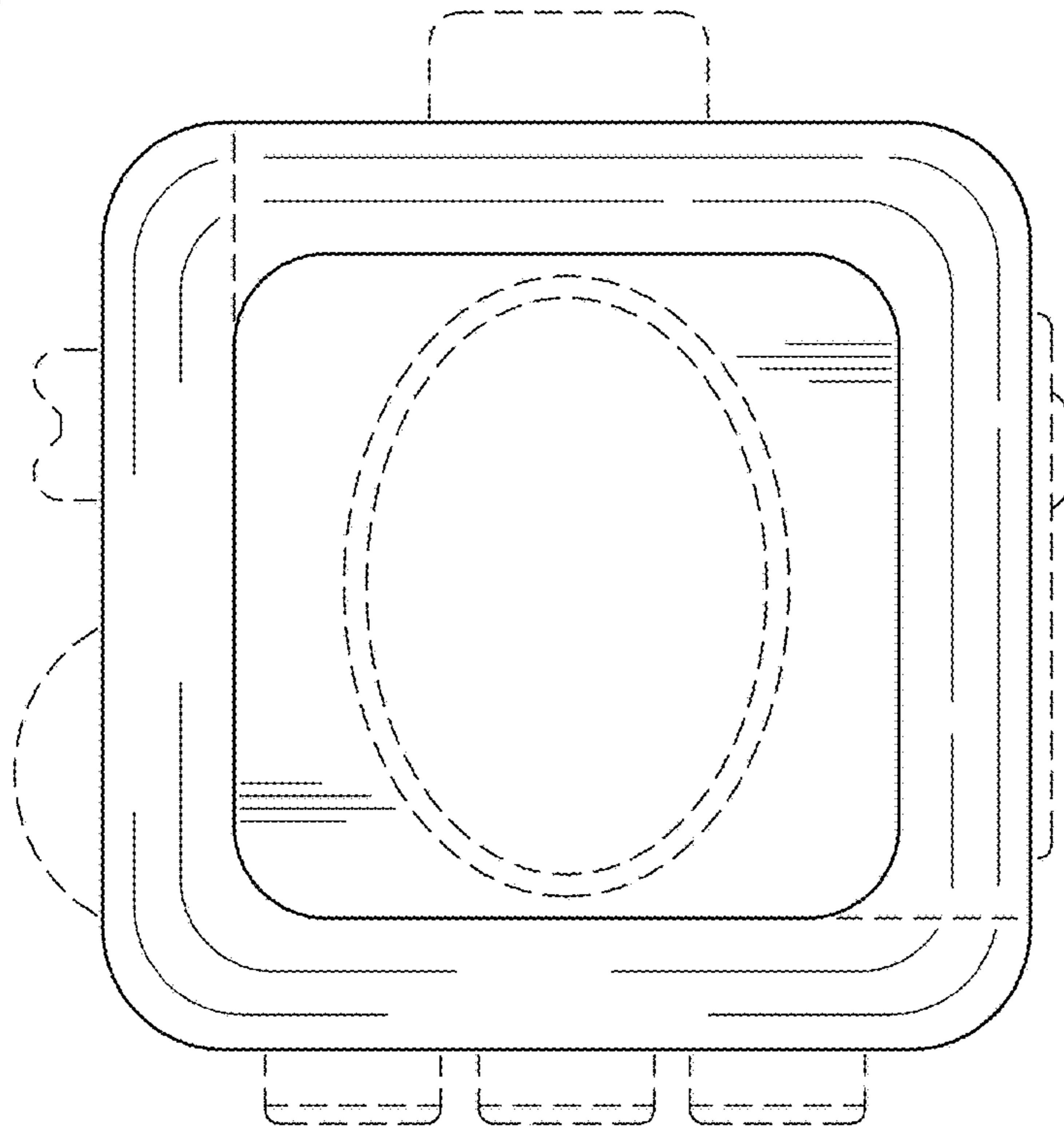


FIG. 7

