



US00D827723S

(12) **United States Design Patent** (10) **Patent No.:** **US D827,723 S**
Barajas et al. (45) **Date of Patent:** **** Sep. 4, 2018**

(54) **QUADROTOR MODEL HELICOPTER**

D628,658 S 12/2010 Wurm
7,980,740 B2 7/2011 Hu
D648,808 S 11/2011 Seydoux et al.
(Continued)

(71) Applicant: **TRAXXAS LP**, McKinney, TX (US)

(72) Inventors: **Jaime Felix Barajas**, Dallas, TX (US);
Jonathan Scott Wood, Plano, TX (US)

FOREIGN PATENT DOCUMENTS

(73) Assignee: **TRAXXAS LP**, McKinney, TX (US)

CN 202170017 U 3/2012
CN 203047531 U 7/2013
(Continued)

(**) Term: **15 Years**

OTHER PUBLICATIONS

(21) Appl. No.: **29/540,837**

Traxxas Aton Quadcopter Drone by Dean Berry, dated Dec. 22, 2015. found online [Sep. 18, 2016] <http://www.rcdriver.com/its-almost-here-the-traxxas-aton-quadcopter-drone/>.
(Continued)

(22) Filed: **Sep. 28, 2015**

(51) **LOC (11) Cl.** **21-01**

(52) **U.S. Cl.**
USPC **D21/442**; D12/16.1

(58) **Field of Classification Search**
USPC D12/16.1, 319, 323-345; D21/436, 438,
D21/439, 440, 441, 447, 448, 449, 450,
D21/452, 453, 454, 455
CPC B64C 1/062; B64C 39/024; B64C 27/08
See application file for complete search history.

Primary Examiner — Brandon M Rosati
Assistant Examiner — Marissa J Cash
(74) *Attorney, Agent, or Firm* — Daryl R. Wright; Greg Carr

(57) **CLAIM**

We claim the ornamental design for a quadrotor model helicopter, as shown and described.

(56) **References Cited**

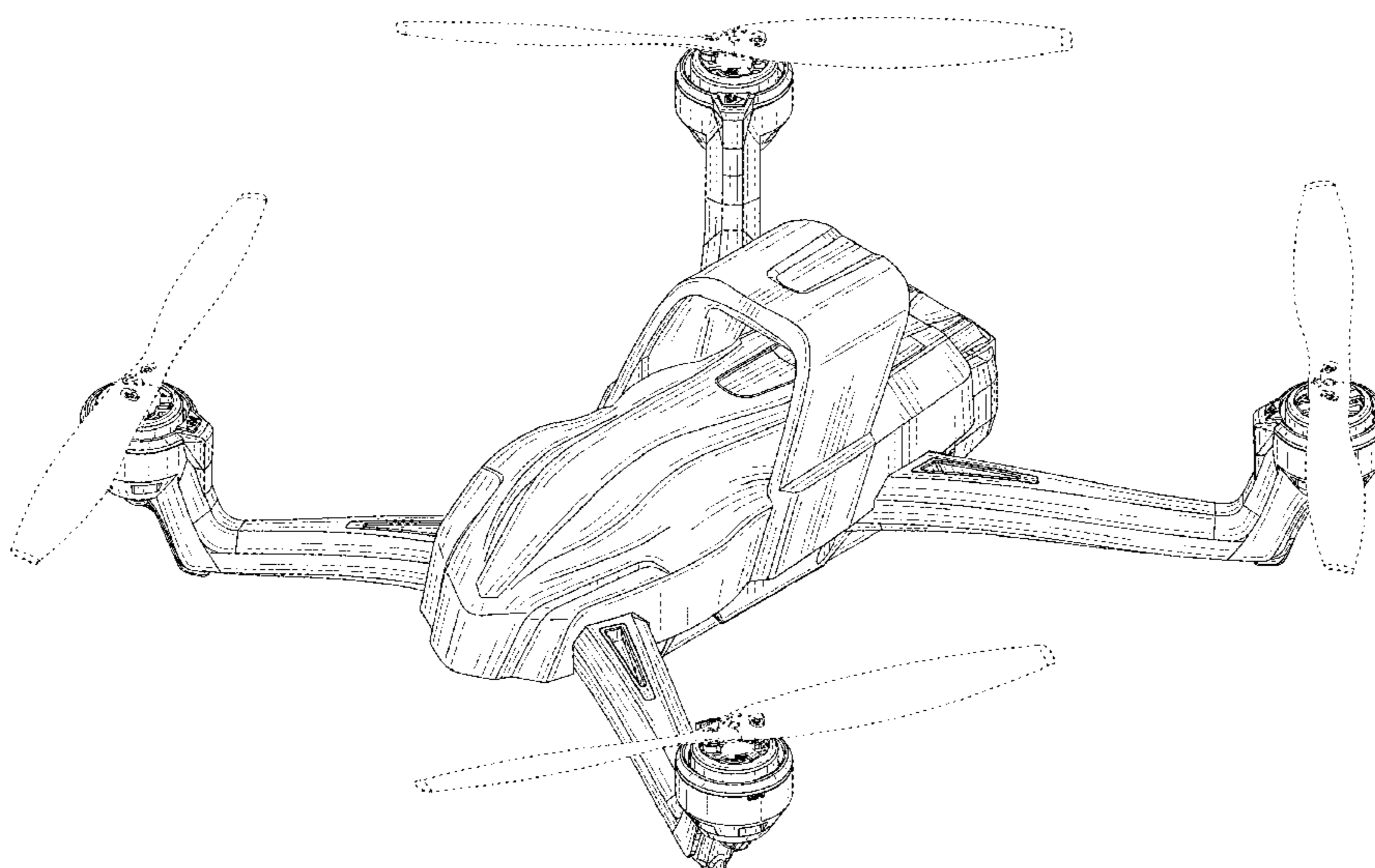
DESCRIPTION

U.S. PATENT DOCUMENTS

| | | | |
|-----------|----|---------|-----------------|
| 1,749,471 | A | 3/1930 | De Bothezat |
| 3,053,480 | A | 9/1962 | Vanderlip |
| 3,253,806 | A | 5/1966 | Eickmann |
| 3,345,016 | A | 10/1967 | Eickmann |
| 3,768,757 | A | 10/1973 | Eickmann |
| 4,184,119 | A | 1/1980 | Kerruish |
| 5,082,079 | A | 1/1992 | Lissaman et al. |
| 5,720,651 | A | 2/1998 | Chien |
| D453,317 | S | 2/2002 | DeTore et al. |
| D458,892 | S | 6/2002 | DeTore et al. |
| D465,196 | S | 11/2002 | Dammar |
| 6,626,078 | B2 | 9/2003 | Thornton |
| 6,688,936 | B2 | 2/2004 | Davis |
| 6,921,313 | B2 | 7/2005 | Yu |
| 7,367,863 | B2 | 5/2008 | Fosbeber et al. |

FIG. 1 is a, top, left, front perspective view of a quadrotor model helicopter;
FIG. 2 is a bottom, right, rear perspective view thereof;
FIG. 3 is a top plan view thereof;
FIG. 4 is a bottom plan view thereof;
FIG. 5 is a rear elevation view thereof;
FIG. 6 is a front elevation view thereof;
FIG. 7 is a right side elevation view thereof; and,
FIG. 8 is a left side elevation view thereof.
Structural elements depicted by broken lines have been shown for the purpose of illustrating portions of the quadrotor model helicopter that form no part of the claimed design.

1 Claim, 6 Drawing Sheets



(56)

References Cited

U.S. PATENT DOCUMENTS

| | | | | |
|--------------|------|---------|--------------------|--------------------------|
| D659,771 | S | 5/2012 | Seydoux et al. | |
| 8,282,437 | B2 | 10/2012 | Norman et al. | |
| D691,514 | S | 10/2013 | Wang et al. | |
| D710,452 | S * | 8/2014 | Barajas | D12/16.1 |
| D710,453 | S * | 8/2014 | Barajas | D12/16.1 |
| D710,454 | S * | 8/2014 | Barajas | D12/16.1 |
| 8,973,861 | B2 * | 3/2015 | Zhou | A63H 27/12 244/17.23 |
| 9,004,973 | B2 | 4/2015 | Condon et al. | |
| 9,061,763 | B1 * | 6/2015 | Christensen | A63H 17/28 |
| 9,099,902 | B2 * | 8/2015 | Chen | H02K 5/225 |
| 9,208,689 | B2 | 12/2015 | Fisher et al. | |
| 9,221,539 | B2 | 12/2015 | Christensen et al. | |
| 2002/0098768 | A1 | 7/2002 | Kuo et al. | |
| 2004/0150144 | A1 | 8/2004 | Goepfert et al. | |
| 2007/0049159 | A1 | 3/2007 | Kulis | |
| 2007/0105474 | A1 | 5/2007 | Gotou et al. | |
| 2008/0048065 | A1 | 2/2008 | Kuntz | |
| 2009/0283629 | A1 | 11/2009 | Kroetsch et al. | |
| 2010/0243794 | A1 | 9/2010 | Jermyn | |
| 2011/0017865 | A1 | 1/2011 | Achtelik et al. | |
| 2011/0288696 | A1 | 11/2011 | Lefebure | |
| 2011/0301784 | A1 | 12/2011 | Oakley et al. | |
| 2012/0056041 | A1 * | 3/2012 | Rhee | B64C 25/32 244/4 R |
| 2012/0078451 | A1 * | 3/2012 | Ohtomo | B64C 39/024 701/15 |
| 2012/0083945 | A1 | 4/2012 | Oakley et al. | |
| 2012/0138732 | A1 | 6/2012 | Olm et al. | |
| 2012/0234969 | A1 | 9/2012 | Savoie et al. | |
| 2013/0092799 | A1 | 4/2013 | Tian et al. | |
| 2014/0032034 | A1 | 1/2014 | Raptopoulos et al. | |
| 2014/0099853 | A1 | 4/2014 | Condon et al. | |
| 2014/0117149 | A1 | 5/2014 | Zhou et al. | |
| 2014/0131510 | A1 | 5/2014 | Wang et al. | |
| 2014/0312169 | A1 | 10/2014 | Fisher et al. | |
| 2014/0339355 | A1 * | 11/2014 | Olm | B64C 27/08 244/17.23 |
| 2015/0051755 | A1 * | 2/2015 | Erhart | A63H 27/12 701/2 |
| 2015/0336670 | A1 * | 11/2015 | Zhang | B64C 1/00 244/119 |
| 2016/0122017 | A1 * | 5/2016 | Welker | B64C 39/024 244/17.23 |
| 2016/0198088 | A1 * | 7/2016 | Wang | H04N 5/23238 348/36 |

FOREIGN PATENT DOCUMENTS

| | | | |
|----|--------------|----|---------|
| CN | 203127141 | U | 8/2013 |
| DE | 202013101170 | U1 | 5/2013 |
| EP | 1245257 | A2 | 10/2002 |
| JP | H01-201294 | A | 8/1989 |

OTHER PUBLICATIONS

MATTYP2013; "Phantom/Hero Black for sale" RC Groups bulletin board post; Jan. 13, 2013; <http://www.rcgroups.com/forums/showpost.php?p=23798876&postcount=1245>.

Elintocable; "Traxxas QR-1 Quad Rotor"; RC Groups bulletin board post; Nov. 22, 2012; <http://www.rcgroups.com/forums/showthread.php?t=1775303&highlight=qr+1#post23336888>.

Blade mQX, Ultra Micro Quad-Copter; Jun. 15, 2012.

Blade Nano QX 18 Gram Quad-Copter; Jul. 3, 2013.

Hobbico; "Heli Max1SQ Ready-to-Fly Quadcopter", fact sheet; 2012; <http://downloads.hobbico.com/factsheets/hmx/hmx0834-fact-sheet.pdf>.

Syma X1 quadcopter; photographed Apr. 22, 2013.

Dualsky, Hornet 460, 9th Shanghai International Model Exhibition 2012; Aug. 28, 2013.

Ariete; "Walkera Hoten X" RC Groups bulletin board post; Jul. 26, 2012; <http://www.rcgroups.com/forums/showpost.php?p=22269995&postcount=1>.

Walkera; "Ladybird" quadcopter; May 25, 2012.

Walkera; "Scorpion" quadcopter; Jul. 20, 2012.

Walkera; "MX400 UFO" quadcopter; May 23, 2012.

Parrot AR.Drone2.0; photographed May 26, 2012.

Bangkok; "Hubsan X4H107L"; RC Groups bulletin board post; Mar. 1, 2013; <http://www.rcgroups.com/forums/showthread.php?t=1842561#post24290286>.

Sky-Hero, Spyder, Jan. 2015, <http://www.sky-hero.com/en/content/12-spyder-black-edition>.

Team Black Sheep, TBS Discovery, Jan. 2015, <http://team-blacksheep.com/products/product:98>.

Jameschen072; "The UDi U839 review"; RC Groups; May 15, 2014; <http://www.rcgroups.com/forums/showthread.php?t=2167429>.

UDI RC; "U839 Nano 3D RC Quadcopter with 6-Axis Gyro, 2.4 GHz 4-Channel. 306°—Rolling Action"; UDIRCTOYS Industry Co., Ltd., Shantou City, Guangdong, China; photographs of typical unit with manual; Aug. 6, 2014; via Battery Superstore and amazon.com.

WL Toys; "Skylark V636 Headless Mode 2.4 G 4CH 6 Axis Quadcopter RTF"; Shantou Chenghai WL Toys Industrial Co., Ltd., Shantou City, Guangdong, China; web page offer for sale, Banggood.com/Banggood Ltd., Aug. 13, 2014.

Gemini Industries Ltd. / WL Toys; "Skylark R/C Quadcopter"; Gemini Industry Ltd., Shenzhen, China; photographs of typical unit with manual; Aug. 13, 2014; via Gemini (HK) Ind. Ltd.

Mohr, Tim; "Hobbico/Great Planes at the '14 HobbyTown USA Convention"; Jul. 11, 2014; Big Squid.

Barnes, Jon; "HobbyTown National Convention Held Jul. 9-10, 2014 in Lincoln, Nebraska"; Jul. 19, 2014; Fly RC Magazine web page: <http://www.flyrc.com/hobbytown-national-convention-held-july-9-10-2014-in-lincoln-nebraska/>.

Gauai.Co.Uk; "Gauai 500X Quad Flyer"; Hinckley, Leicestershire, England; Apr. 27, 2013; <https://web.archive.org/web/20130427105355/http://www.gauai.co.uk/>.

Empire Hobby; "Gauai LED Set (2 Red, 2Wh, 4 Lens)"; Mesa, Arizona; Jul. 21, 2011; <http://www.empirerc.com/gauai-led-set-2-red-2-wh-4-lens-p-5954.html?sess=90d4b90f52b3db5305af59d96954e6fa>.

Gauai; "Beijing Model Expo - Gauai 500X Quad Flyer"; Gauai Tai Shih Hobby Corp., New Taipei City, Taiwan; photographs of trade show booth and typical unit; May 1, 2011.

Mulcahy, Chris; "DJI Innovations Phantom RTF—Review"; RCGroups.com; Feb. 5, 2013; <http://www.rcgroups.com/forums/showthread.php?t=1811071>.

DJI; "Phantom Quick Start Manual V1.3"; DJI Innovations, Shenzhen, China; Jan. 22, 2013.

DJI; "Phantom Advanced Manual V1.1"; DJI Innovations, Shenzhen, China; Jan. 15, 2013.

HGT; "DJI Phantom Full inner nudity"; RC Groups; Jan. 11, 2013; <http://www.rcgroups.com/forums/showpost.php?p=23788478&postcount=1121>.

Draganfly; "DraganFlyer X4-P"; Draganfly Innovations Inc., Saskatoon, Canada; Mar. 23, 2013; <http://www.draganfly.com/uav-helicopter/draganflyer-x4p/gallery/pictures/>.

Draganfly; "Draganflyer X4-P"; Draganfly Innovations Inc., Saskatoon, Canada; Apr. 3, 2013; <http://www.draganfly.com/uav-helicopter/draganflyer-x4p/gallery/pictures/>.

Parrot; "AR.Drone 2.0 User Guide"; Parrot SA, Paris, France; May 3, 2012; <http://ardrone2.parrot.com/support>.

Hubsan; "The Hubsan X4 2.4GHz R/C Series 4 Channel Six-Axis Gyro" photographs of typical unit with manual; ; Hubsan, Tangxia Town, Dong guan, China; Sep. 10, 2012.

Horizonhobby; "Blade Mqx Ultra Micro Quad Copter"; HorizonHobby, Champaign, IL; photographs of typical unit; Jan. 25, 2012.

Horizonhobby; "Blade Nano QX 18 Gram Quad-Copter"; HorizonHobby, Champaign, IL; photographs of typical unit; Jul. 8, 2013.

DJI; "Phantom"; DJI Innovations, Shenzhen, China; photographs of typical unit ; Jan. 31, 2013.

(56)

References Cited

OTHER PUBLICATIONS

Ares; "ETHOS PQ—A Handful of Fun"; Firelands Group, LLC, Champaign, IL; <http://ares-rc.com/ethosPQ/>; Jul. 31, 2014.

Big Squid RC; ETHOS PQ Quadcopter; Jul. 31, 2014; Big Squid RC; <http://www.bigsquid.rc.com/ethos-pq-quadcopter/>.

Hobbytown; "ETHOS PQ Instruction Manual"; Firelands Group LLC, Champaign, IL; Jul. 31, 2014.

Hobbico; "Dromida Ominus" quadcopter; Hobbico Inc., Champaign, IL; photographs of typical unit; Sep. 18, 2014.

Ares; "ETHOS HD Large Quad, Full 1080 HD Video, ONE Package"; Firelands Group, LLC, Champaign, IL; Jul. 2014.

Parrot; "AR.Drone 2.0" web page; Parrot SA, Paris, France; Jan. 2012.

Wikipedia; "Parrot AR.Drone"; Parrot SA, Paris, France; Jan. 2013.

Parrot; "AR.Drone 2.0" photographs of typical unit; Parrot SA, Paris, France; May 26, 2012.

Mohr, Tim; "Firelands Group at the 2014 HobbyTown USA Convention, ARES RC Ethos PQ nano quad"; Jul. 11, 2014; Big Squid RC.com.

Sievers, Steve. "Fundamentals of LED Light Pipes." May 8, 2013. <electronicdesign.com/components/fundamentals-led-light-pipes>.

"Light Up Your Plane With LEDs." Author Unknown. Fly RC Magazine. Jan. 1, 2010. <www.flyrc.com/light-up-your-plane-with-LEDs/>.

PCT/US2014/051361; International Search Report and Written Opinion; dated Dec. 15, 2015.

* cited by examiner

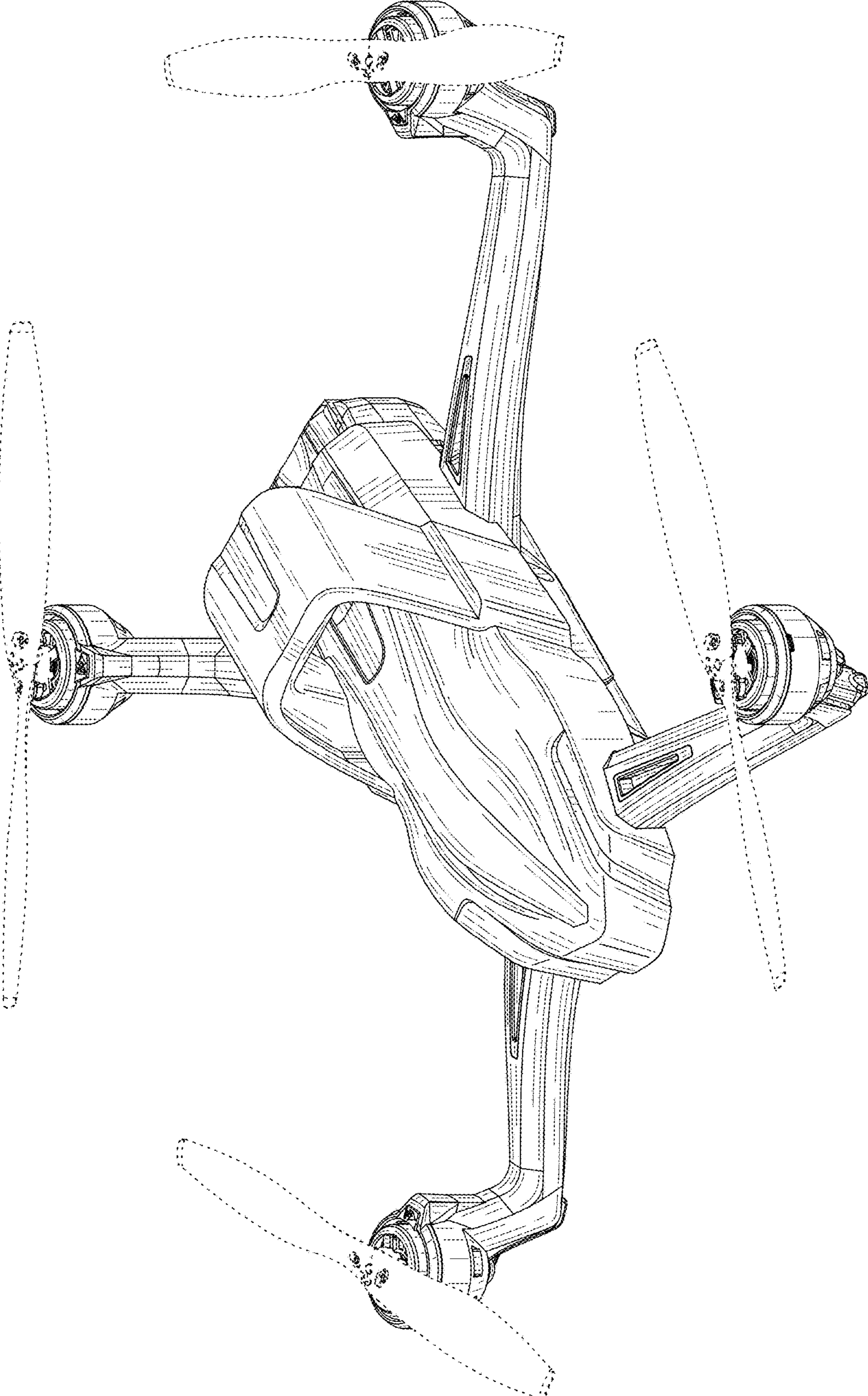


FIG. 1

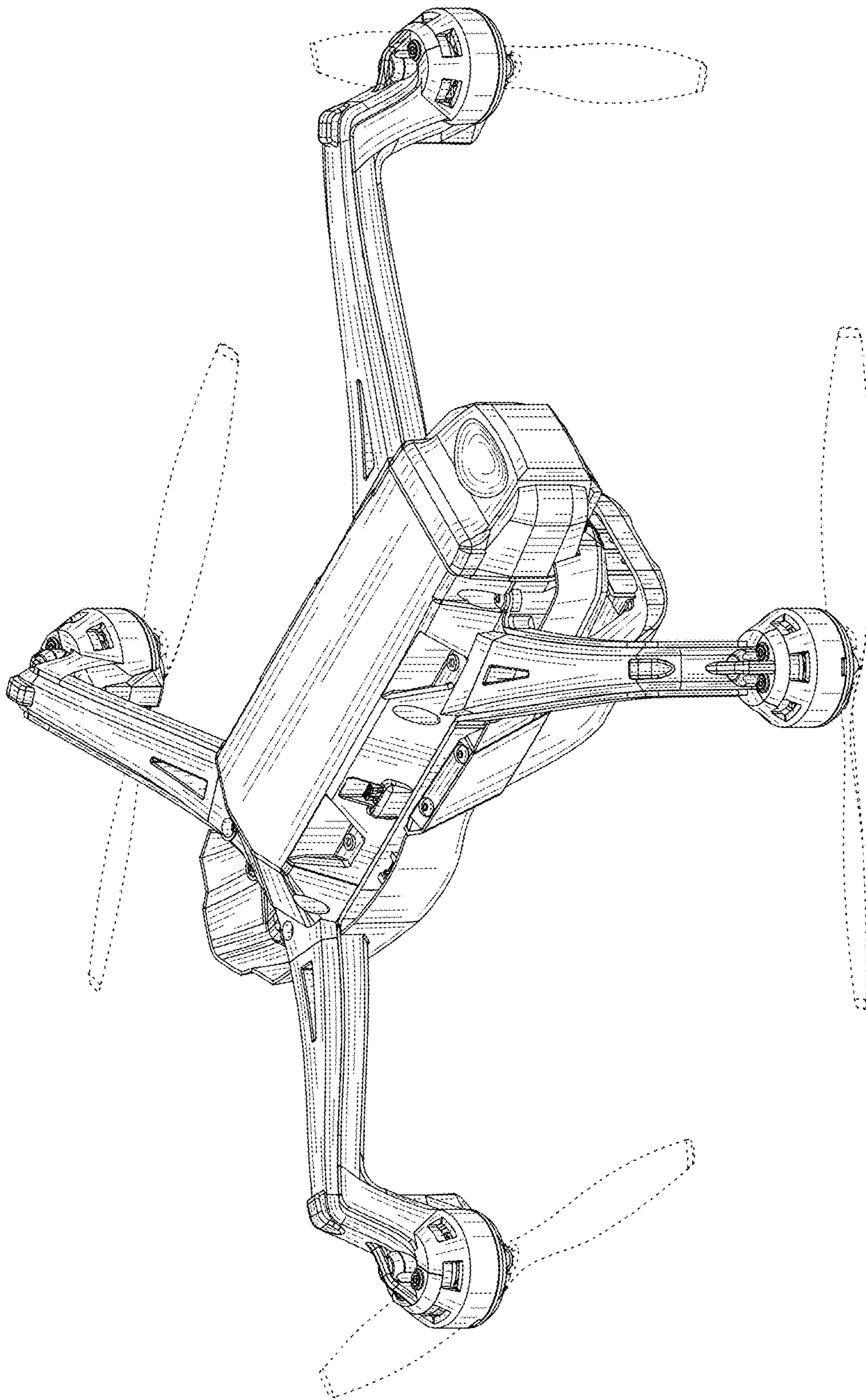


FIG. 2

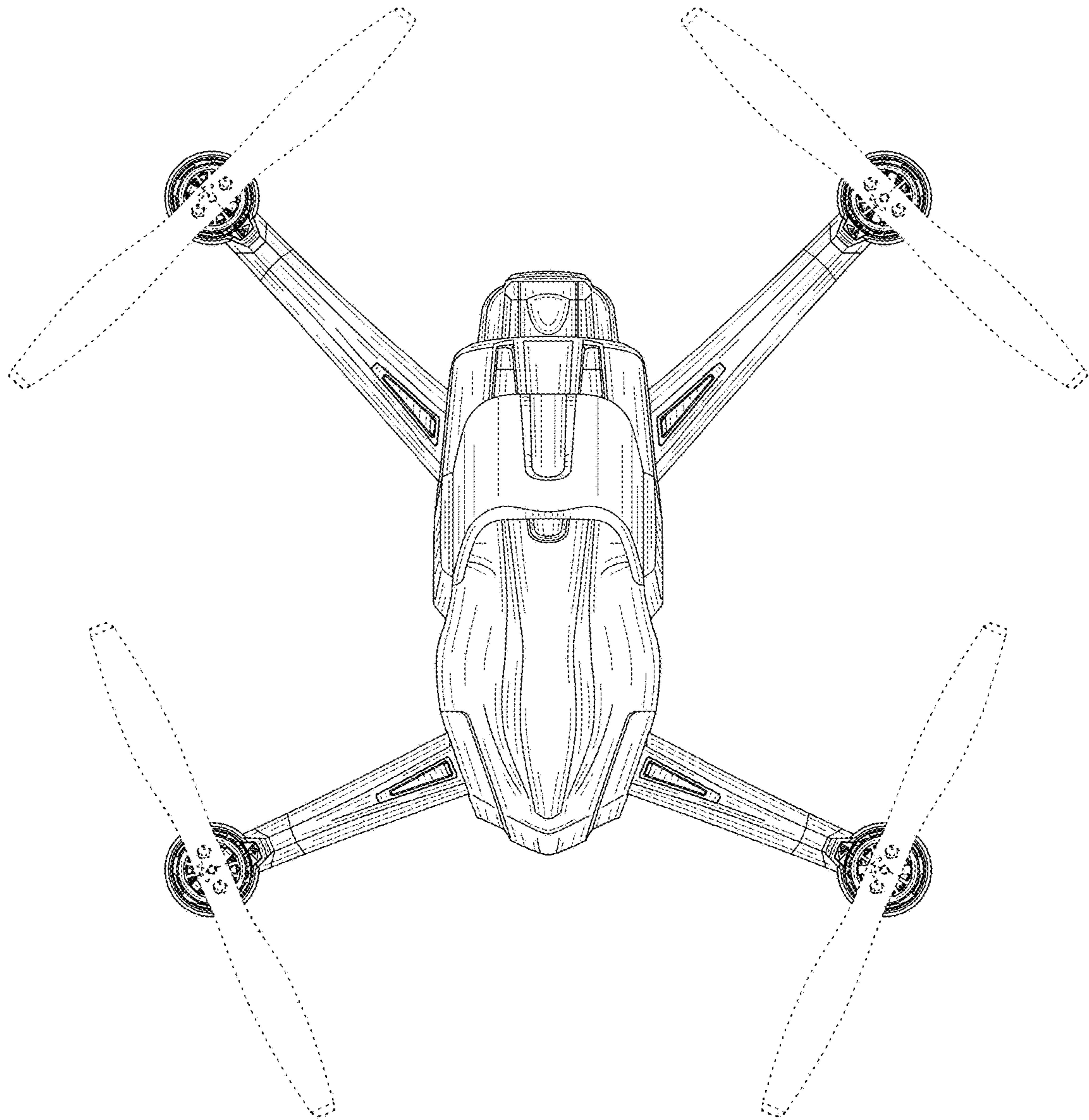


FIG. 3

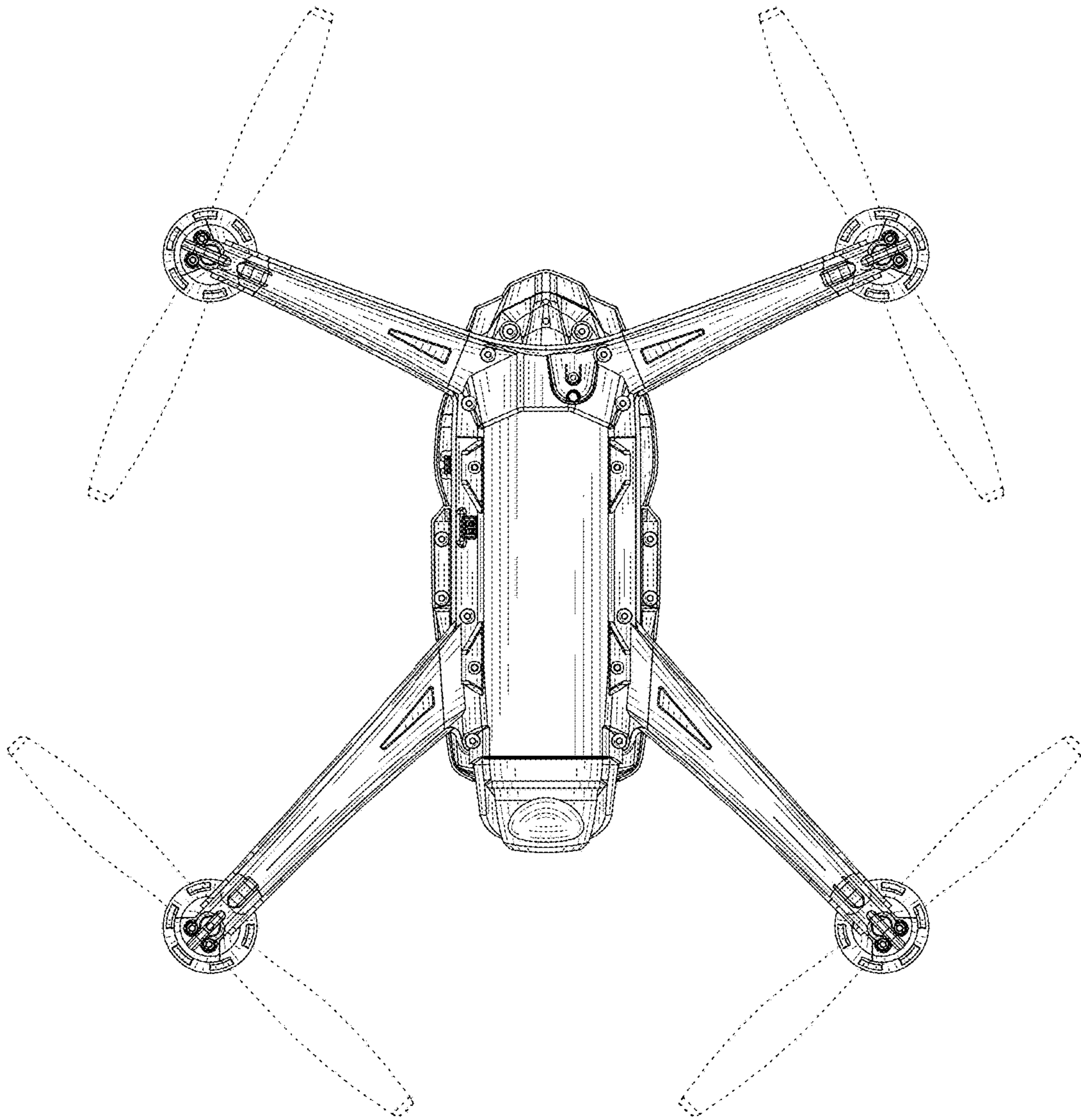


FIG. 4

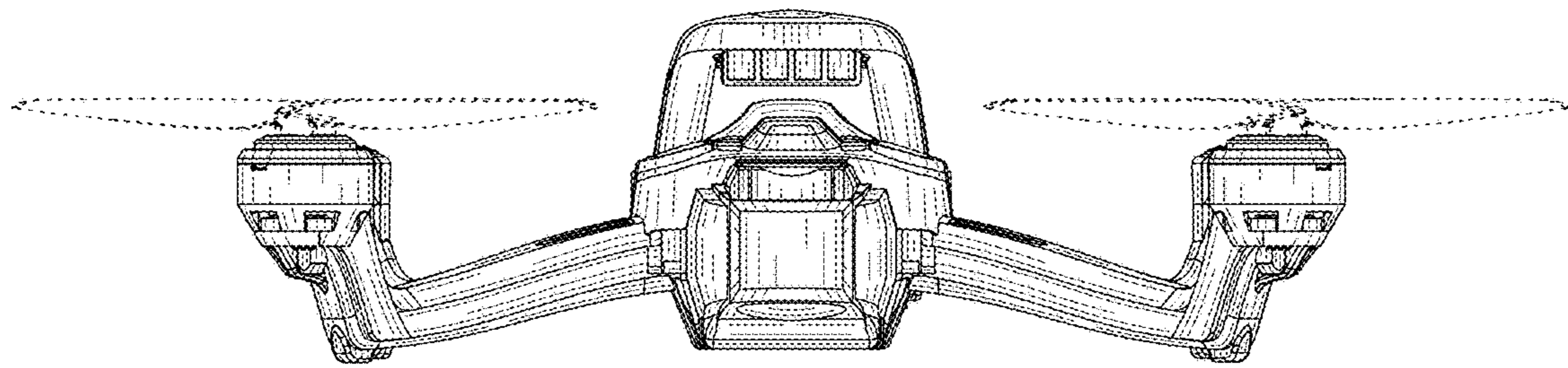


FIG. 5

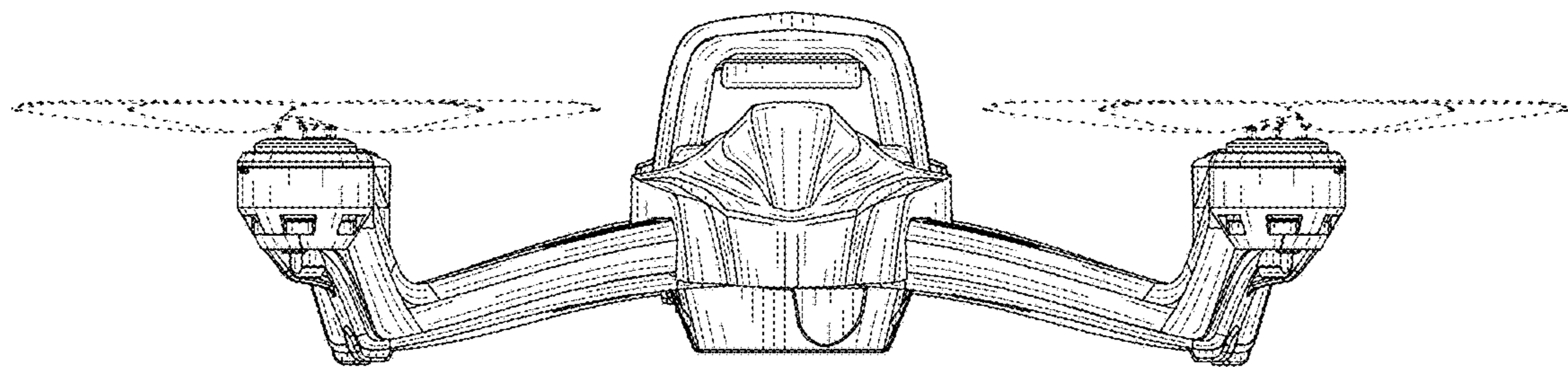


FIG. 6

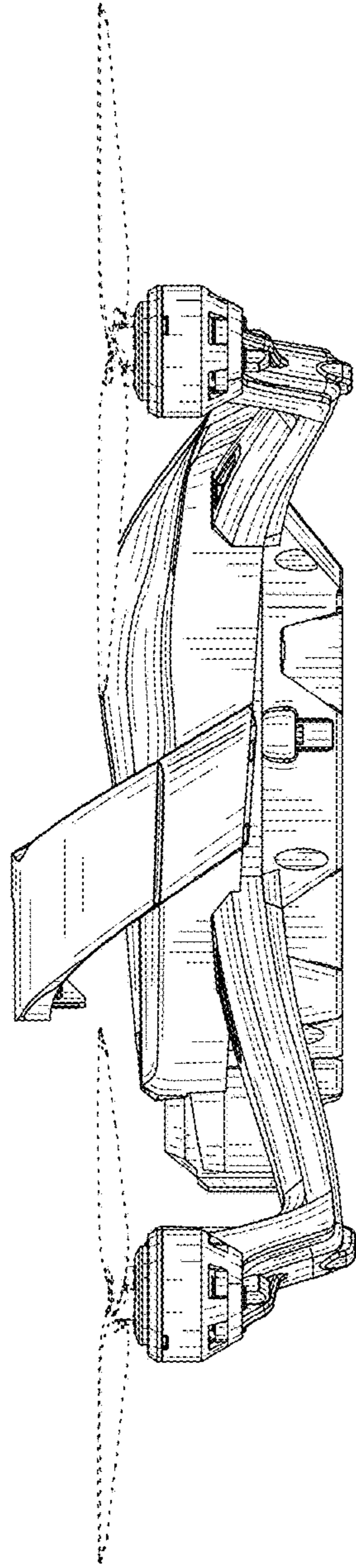


FIG. 7

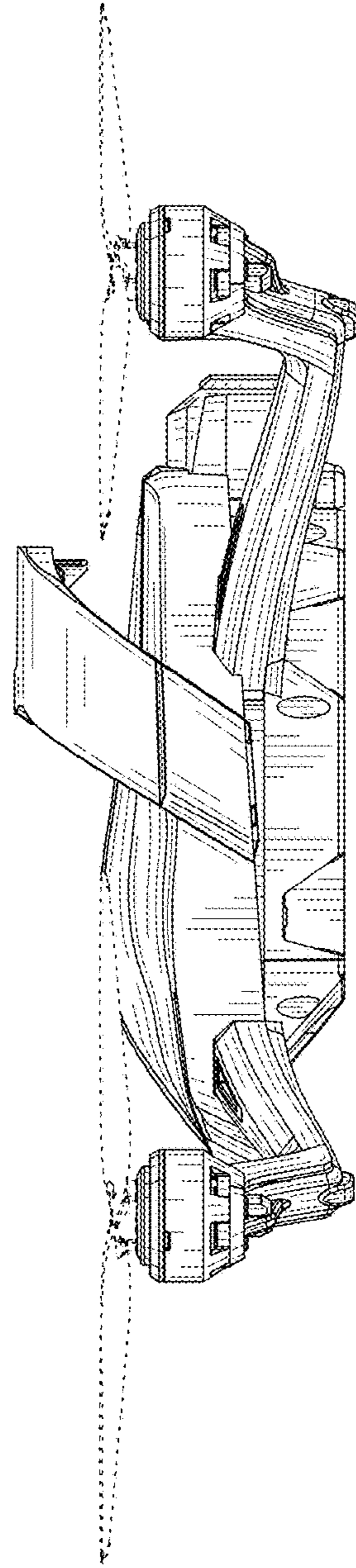


FIG. 8