



US00D827722S

(12) **United States Design Patent**
Sun

(10) **Patent No.:** **US D827,722 S**

(45) **Date of Patent:** **** Sep. 4, 2018**

(54) **FOLDING WAGON**

(71) Applicant: **Zhuji Youla Hardware Fitting Co., Ltd.**, Zhejiang (CN)

(72) Inventor: **Kedong Sun**, Zhejiang (CN)

(73) Assignee: **Zhuji Youla Hardware Fitting Co., Ltd.**, Zhengjiang (CN)

(**) Term: **15 Years**

(21) Appl. No.: **29/584,800**

(22) Filed: **Nov. 17, 2016**

(51) **LOC (11) Cl.** **21-01**

(52) **U.S. Cl.**
USPC **D21/425**

(58) **Field of Classification Search**
USPC D12/17, 19, 20, 102, 105, 129; D21/425, D21/534-536
CPC .. B62B 3/00; B62B 3/02; B62B 3/007; B62B 5/08; B62B 5/082; B60P 3/00; B60P 3/34; B60P 3/42

See application file for complete search history.

(56) **References Cited**

U.S. PATENT DOCUMENTS

D611,394 S *	3/2010	Santamaria	D12/129
D621,306 S *	8/2010	Liao	D12/129
D634,245 S *	3/2011	Liao	D12/129
D635,491 S *	4/2011	Ohnishi	D12/129
D636,709 S *	4/2011	Cho	D12/130
8,388,015 B2 *	3/2013	Chen	B62B 3/007 280/642

D738,436 S *	9/2015	Cummings	D21/425
D748,739 S *	2/2016	Horowitz	D21/425
9,580,095 B2 *	2/2017	Vargas, II	B62B 3/02
D782,580 S *	3/2017	Herlitz	D21/425
D793,911 S *	8/2017	Yim	D12/101
D794,133 S *	8/2017	Ostergaard	D21/425
9,815,355 B2 *	11/2017	Byrne	B60J 7/106

* cited by examiner

Primary Examiner — Robin V Webster

(74) *Attorney, Agent, or Firm* — Wood Herron & Evans LLP

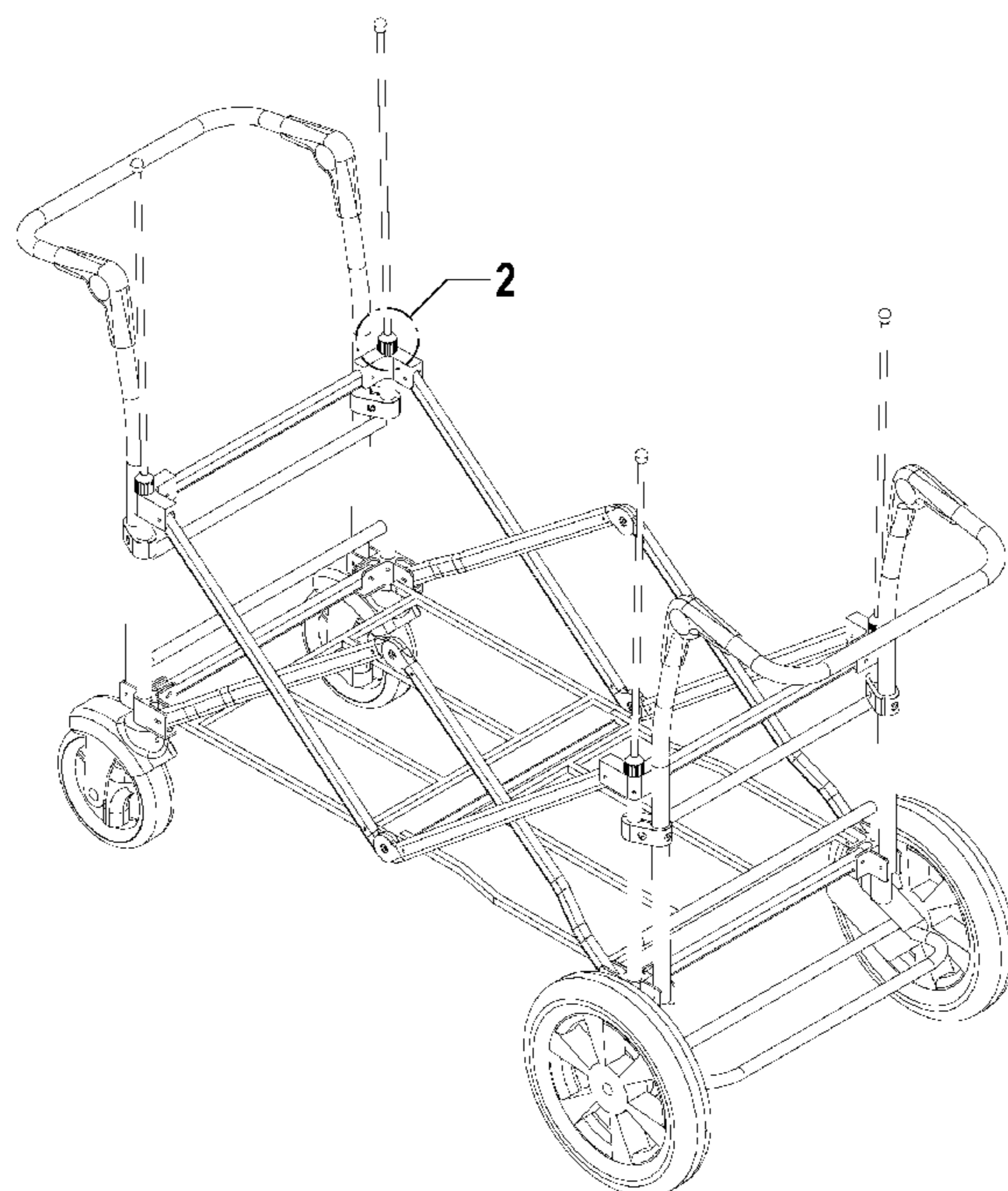
(57) **CLAIM**

The ornamental design for a folding wagon, as shown and described.

DESCRIPTION

FIG. 1 is a front isometric view of a folding wagon in accordance with one embodiment of this invention; FIG. 2 is a detail view of the encircled region shown in the folding wagon of FIG. 1; FIG. 3 is a front elevation view of the folding wagon of FIG. 1; FIG. 4 is a rear elevation view of the folding wagon of FIG. 1; FIG. 5 is a right side elevation view of the folding wagon of FIG. 1; FIG. 6 is a left side elevation view of the folding wagon of FIG. 1; FIG. 7 is a top plan view of the folding wagon of FIG. 1; and, FIG. 8 is a bottom plan view of the folding wagon of FIG. 1.

1 Claim, 6 Drawing Sheets



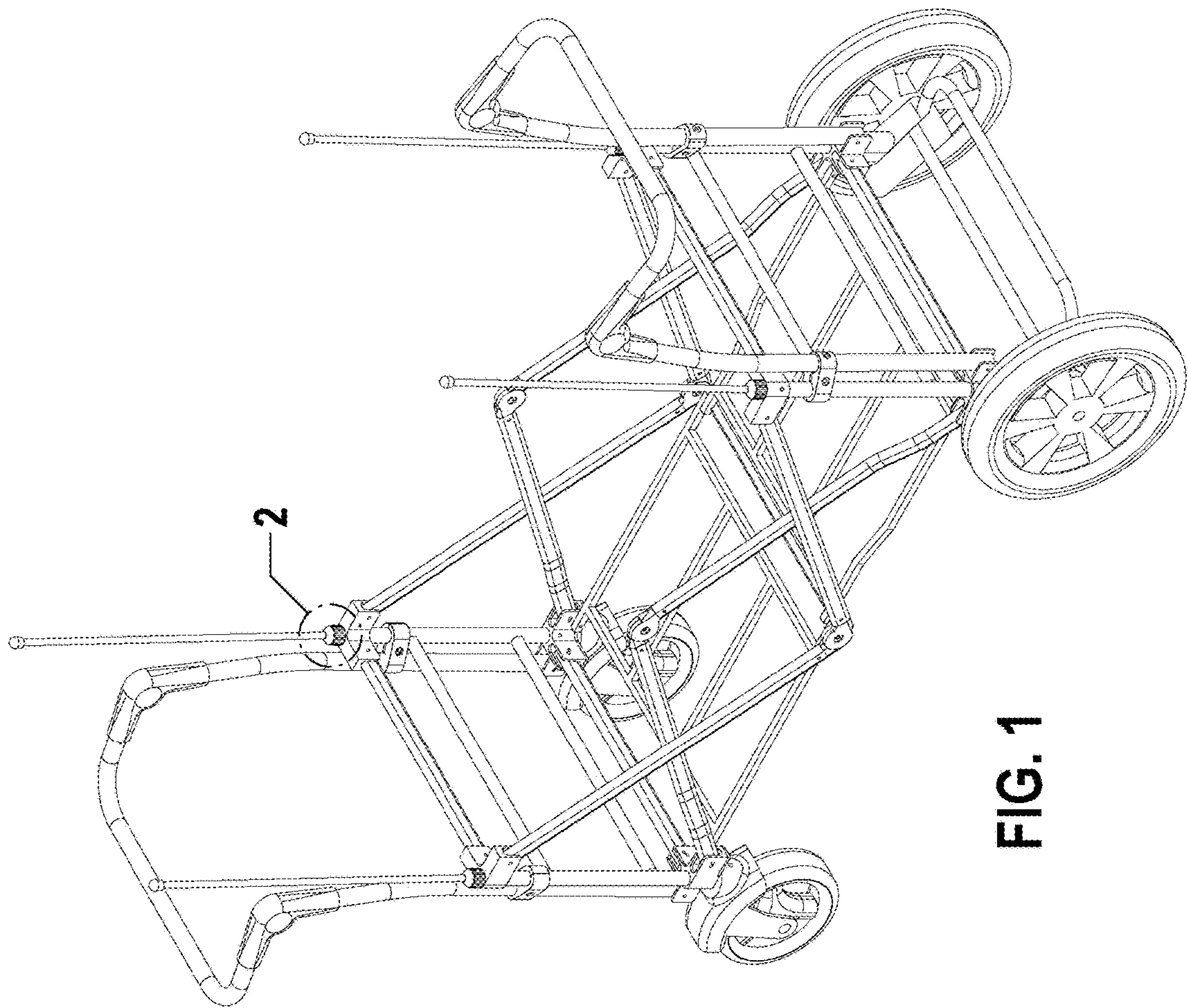


FIG. 1

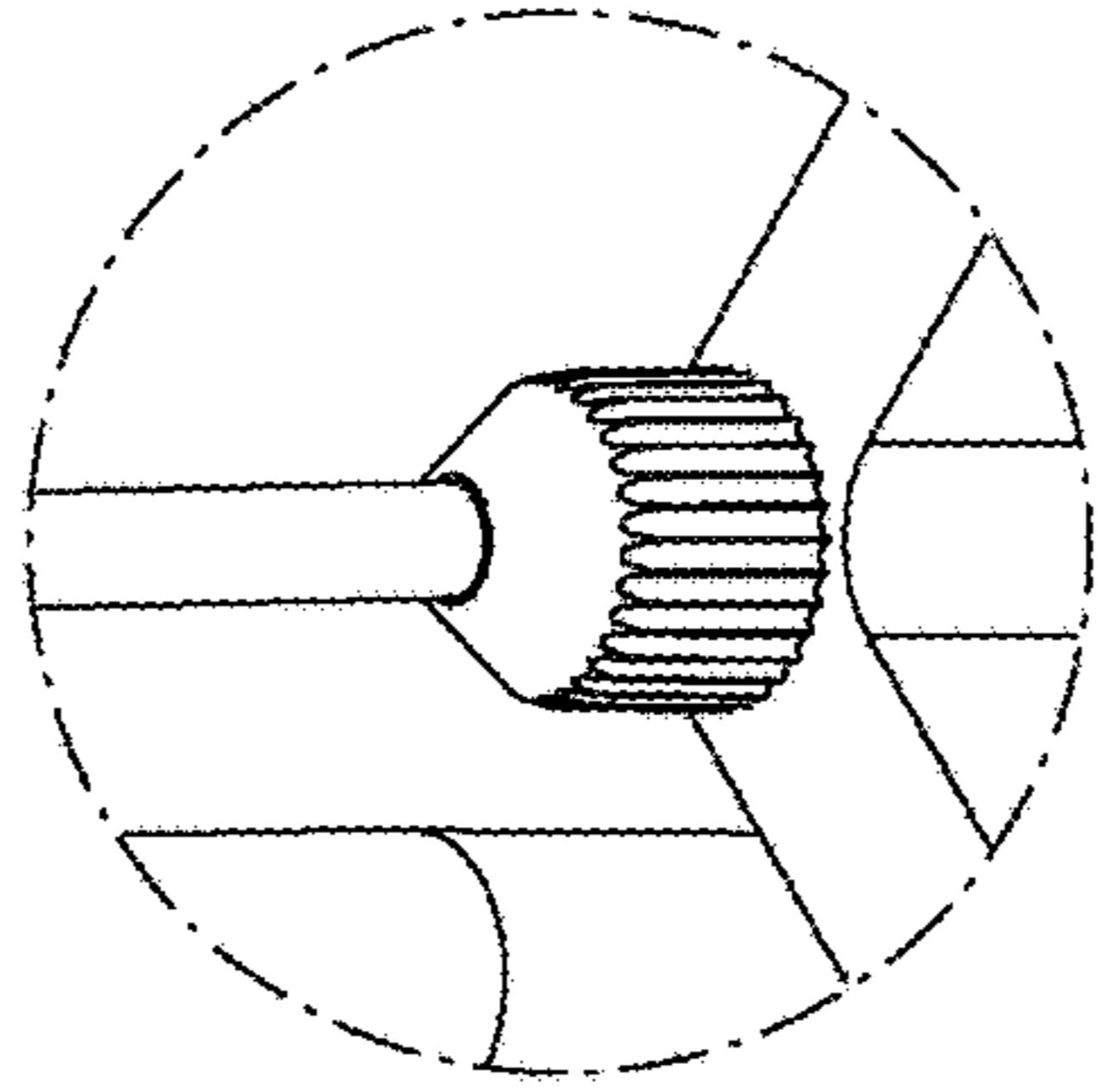


FIG. 2

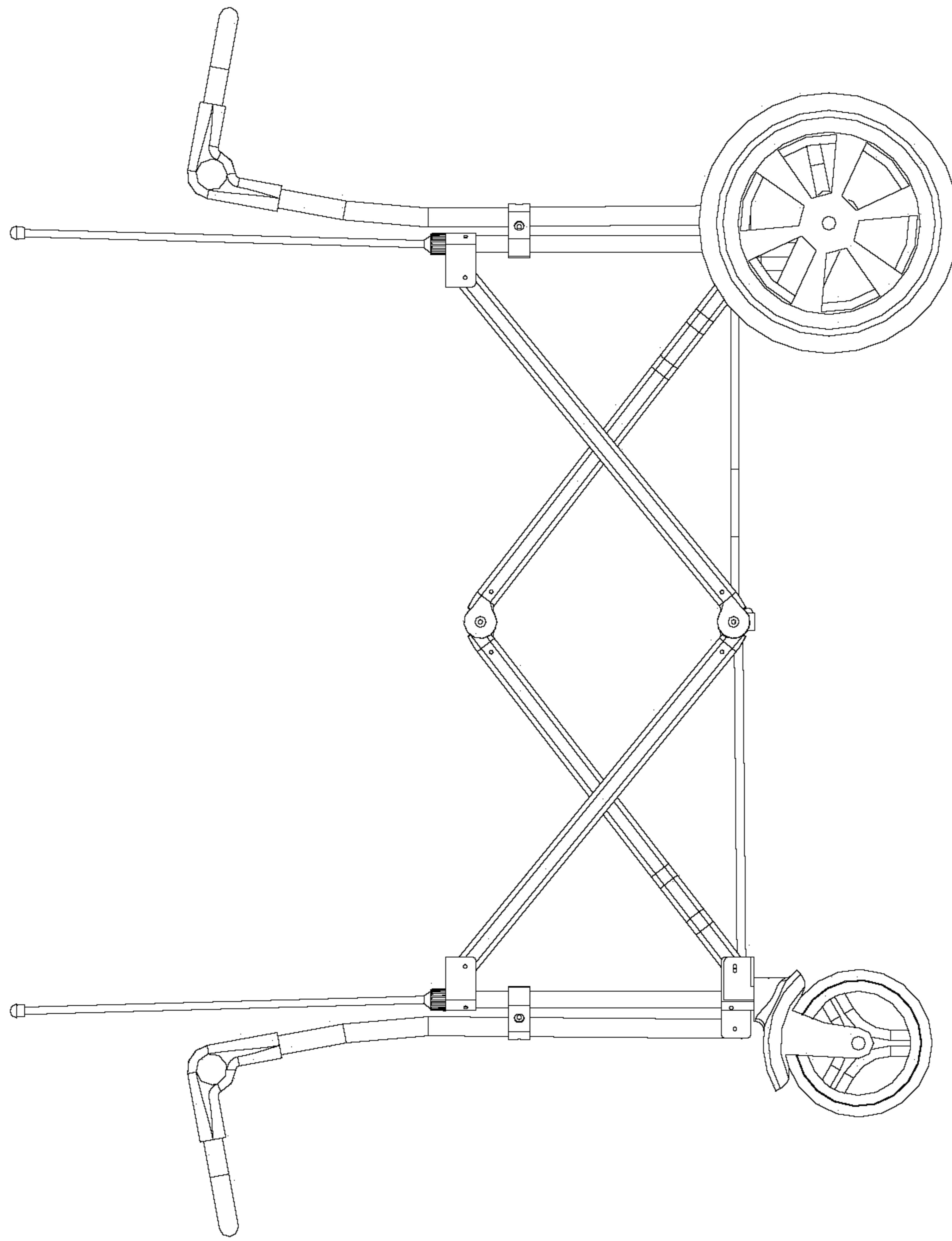


FIG. 3

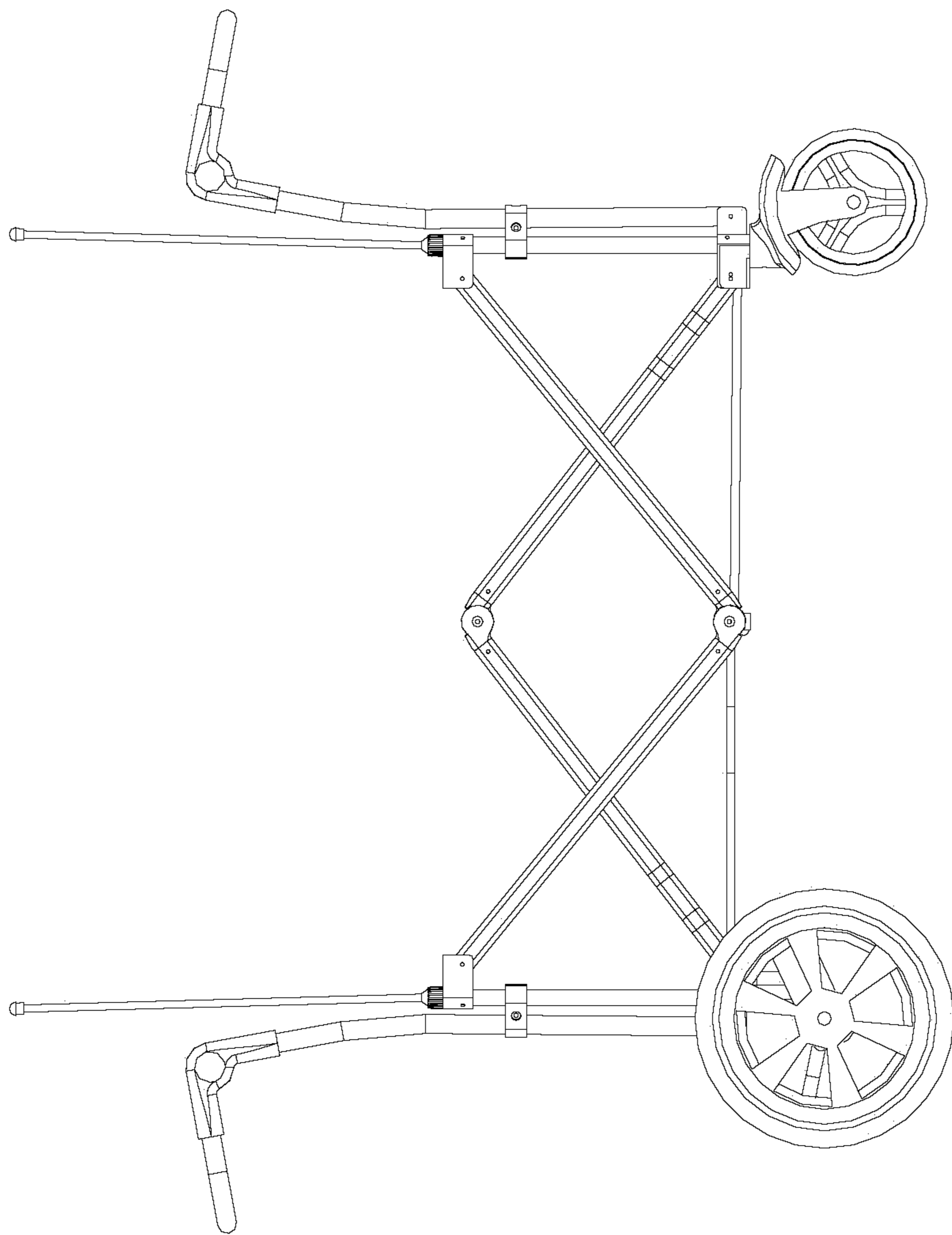


FIG. 4

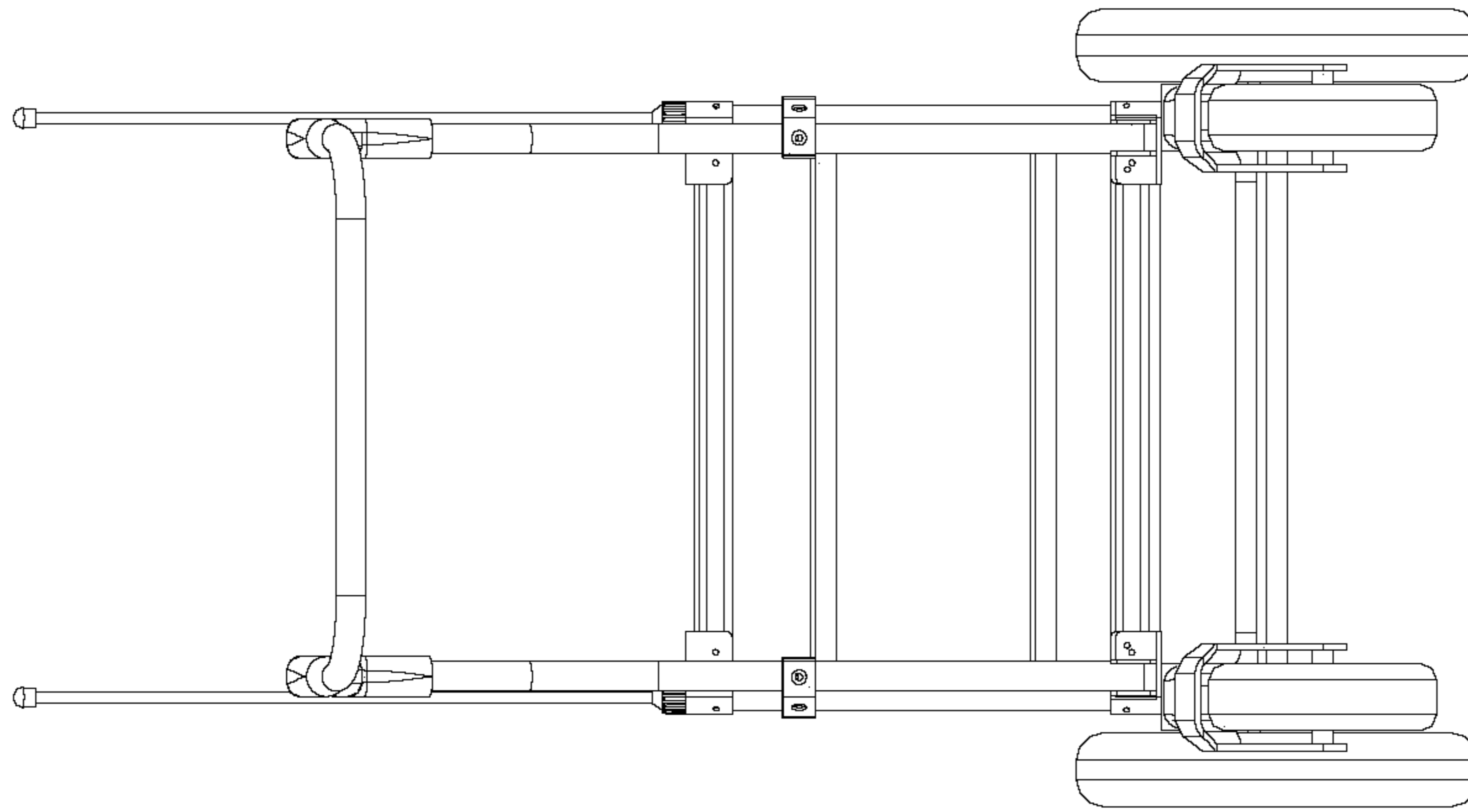


FIG. 6

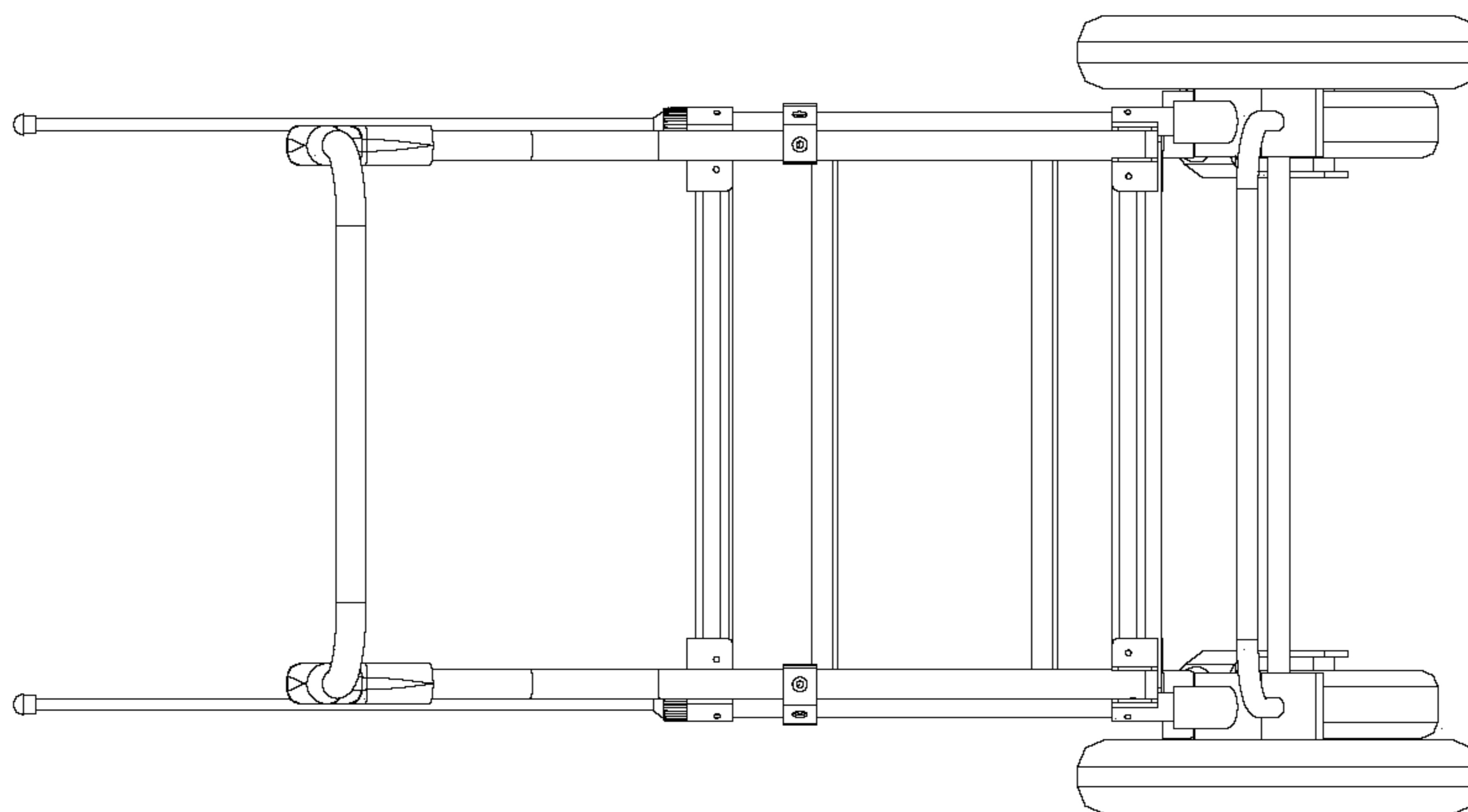


FIG. 5

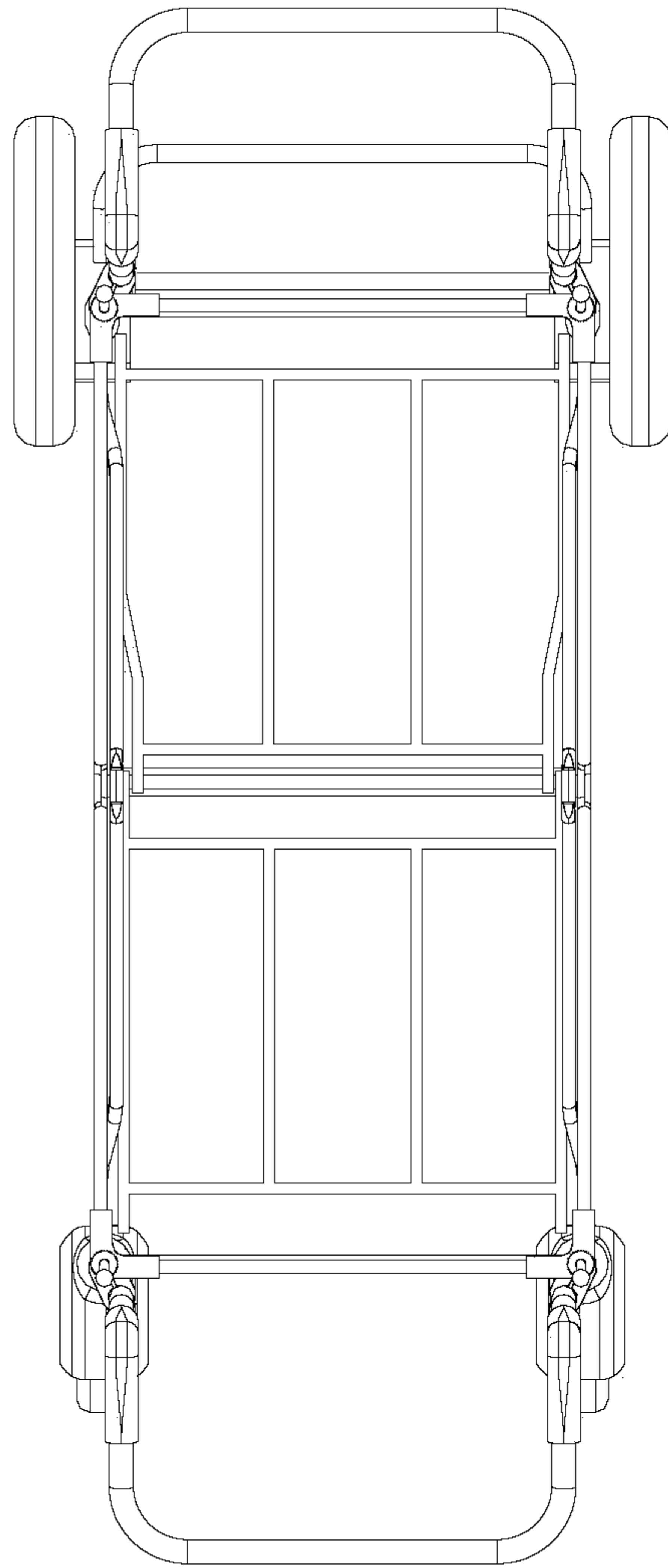


FIG. 7

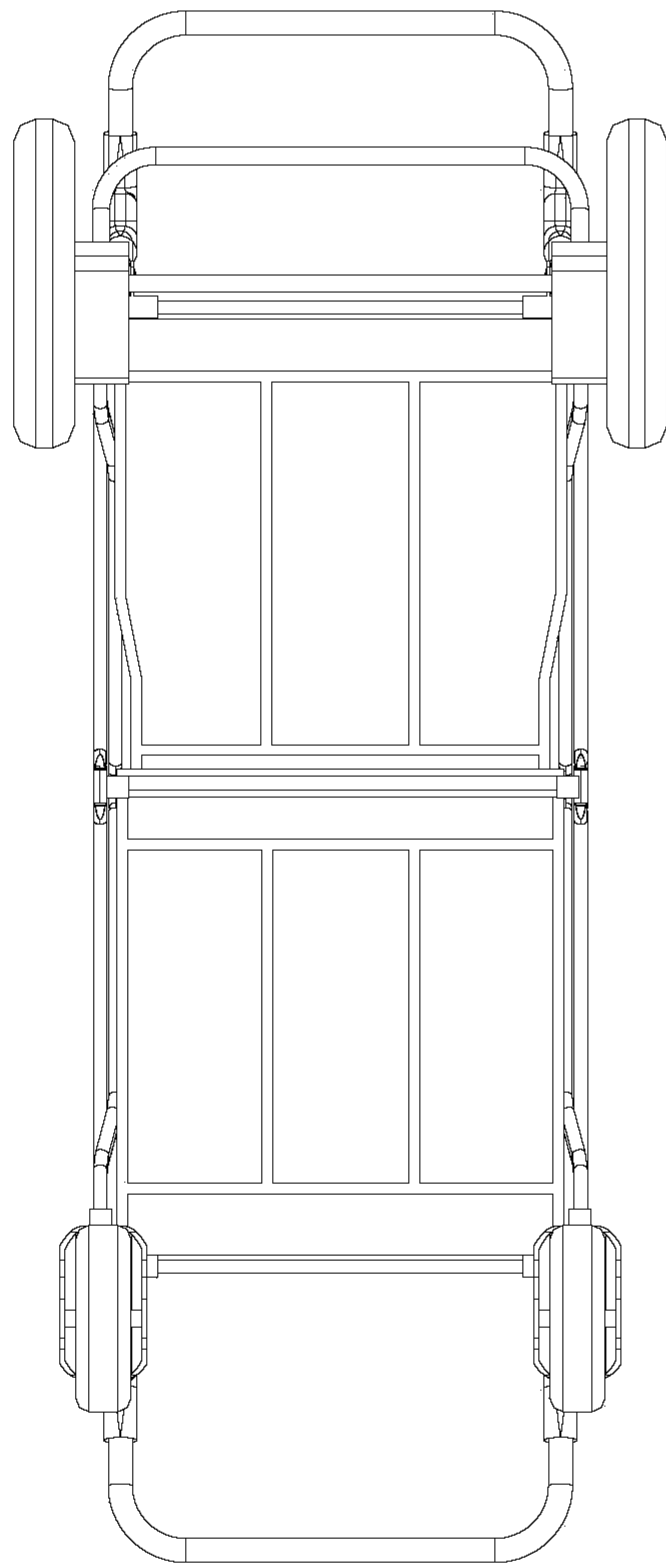


FIG. 8