



US00D827721S

(12) **United States Design Patent**  
**Whang**

(10) **Patent No.:** **US D827,721 S**  
(45) **Date of Patent:** **\*\* Sep. 4, 2018**

(54) **TRIANGULAR TILE MAGNETIC TOY**  
(71) Applicant: **Click-Block Corporation**, Rolling Meadows, IL (US)  
(72) Inventor: **Byung Hui Whang**, Chicago, IL (US)  
(73) Assignee: **CLICK-BLOCK CORPORATION**, Rolling Meadows, IL (US)  
(\*\*) Term: **15 Years**

4,063,725 A \* 12/1977 Snyder ..... A63B 9/00  
273/155  
4,258,027 A \* 3/1981 Ullman ..... A61K 9/2072  
424/467  
D260,848 S \* 9/1981 Hemeyer ..... D8/71  
D270,921 S \* 10/1983 Morgan ..... D21/335  
D329,145 S \* 9/1992 Pauer ..... D6/300  
D351,623 S \* 10/1994 Seiler ..... D11/131  
5,451,176 A \* 9/1995 Beltman ..... A63H 3/005  
206/457  
5,458,522 A \* 10/1995 Brooks, III ..... A63H 33/048  
446/85

(Continued)

(21) Appl. No.: **29/597,249**  
(22) Filed: **Mar. 15, 2017**  
(51) **LOC (11) Cl.** ..... **21-01**  
(52) **U.S. Cl.**  
USPC ..... **D21/404**  
(58) **Field of Classification Search**  
USPC ..... 446/69, 75, 76, 85, 102, 129, 256, 486,  
446/491; 473/124.04, 124.06, 569;  
D1/100, 117, 127, 128; D11/1, 40, 41,  
D11/42, 43, 75, 79, 80, 81, 86, 95, 121,  
D11/130, 131, 165, 181, 200, 238;  
D17/99; D18/183; D21/385, 398, 404,  
D21/468, 470, 471, 478, 479, 480, 483,  
D21/484, 491, 500, 504, 505; D24/100,  
D24/101, 102, 103, 104, 207; D28/4,  
D28/8.1, 8.2; D30/160; D32/40, 43;  
D6/300, 303  
CPC .... A63H 33/26; A63H 33/044; A63H 17/002;  
B29C 65/56  
See application file for complete search history.

(56) **References Cited**

**U.S. PATENT DOCUMENTS**

809,293 A \* 1/1906 Friendenthal ..... A63F 9/0415  
273/146  
D217,780 S \* 6/1970 Lindroth ..... D11/130.1  
3,608,906 A \* 9/1971 Odier ..... A63F 9/12  
273/146  
3,782,029 A \* 1/1974 Bardot ..... A63F 9/0073  
434/403

**OTHER PUBLICATIONS**

Amazon, "JuniClick Translucent Magnetic Building Tiles", Apr. 6, 2018. [https://www.amazon.com/JuniClick-Translucent-Magnetic-Building-Adventurer/dp/B06Y3GQG8J/ref=pd\\_ybh\\_a\\_2?\\_encoding=UTF8&psc=1&refRID=77SZ83N12TEE1WMD520](https://www.amazon.com/JuniClick-Translucent-Magnetic-Building-Adventurer/dp/B06Y3GQG8J/ref=pd_ybh_a_2?_encoding=UTF8&psc=1&refRID=77SZ83N12TEE1WMD520) (Year: 2018).\*

*Primary Examiner* — Cynthia Ramirez  
*Assistant Examiner* — Michael A Maharajh  
(74) *Attorney, Agent, or Firm* — Levenfeld Pearlstein, LLC

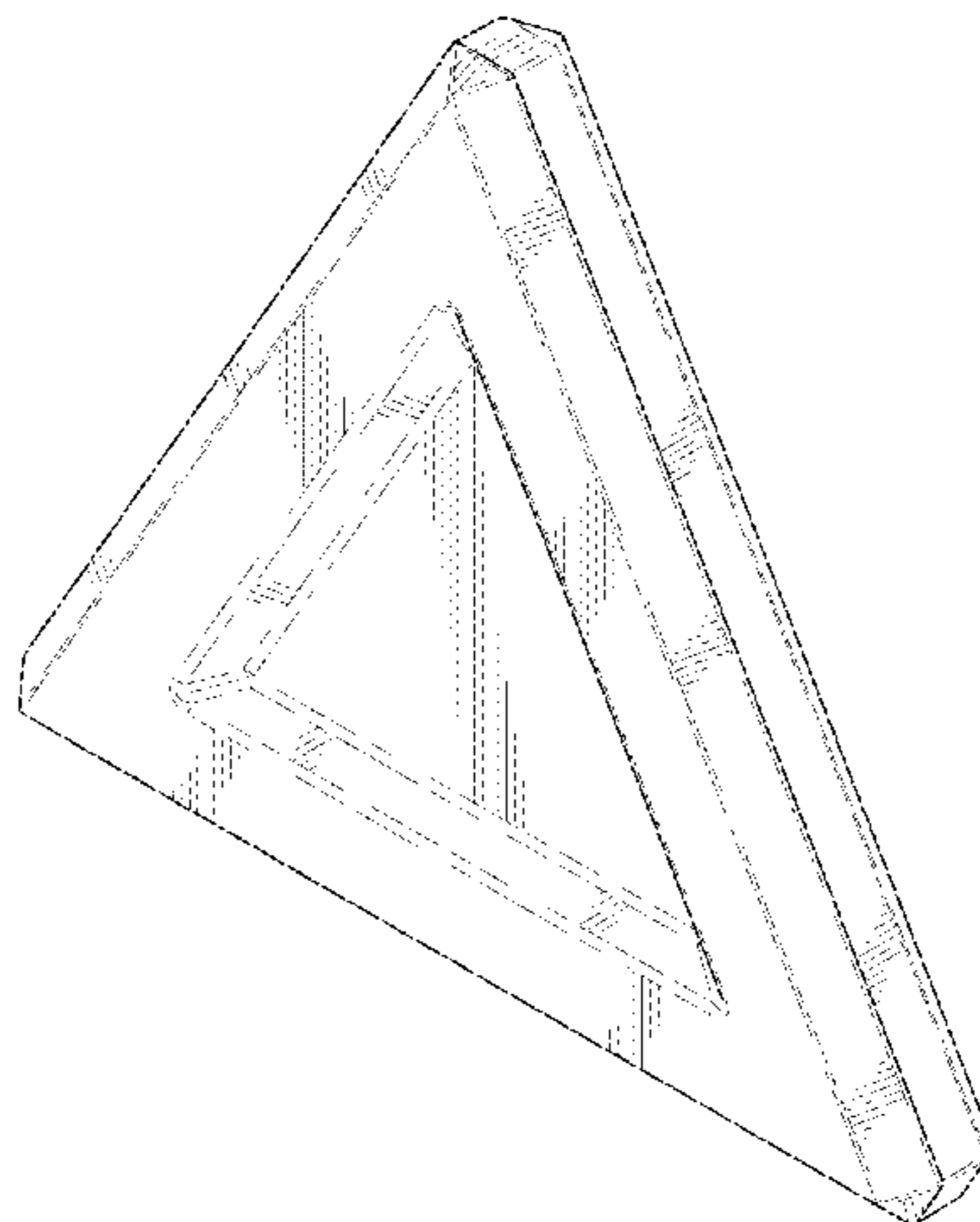
(57) **CLAIM**

The ornamental design for a triangular tile magnetic toy, as shown and described.

**DESCRIPTION**

FIG. 1 is a top, front perspective view of a triangular tile magnetic toy embodying my new design;  
FIG. 2 is a front view thereof;  
FIG. 3 is a side view thereof as seen from the right-hand side of FIG. 2;  
FIG. 4 is a rear view thereof;  
FIG. 5 is a side view thereof as seen from the left-hand side of FIG. 2;  
FIG. 6 is a top view thereof; and,  
FIG. 7 is a bottom view thereof.

**1 Claim, 5 Drawing Sheets**



(56)

References Cited

U.S. PATENT DOCUMENTS

D375,007 S \* 10/1996 Erickson ..... D6/300  
 5,620,325 A \* 4/1997 Glick ..... A63H 33/04  
 434/258  
 D413,361 S \* 8/1999 Silvey ..... D21/478  
 5,947,786 A \* 9/1999 Glick ..... A63H 33/04  
 446/85  
 D423,794 S \* 5/2000 Brownfield ..... D6/300  
 D425,138 S \* 5/2000 Haddad ..... D21/386  
 D427,438 S \* 7/2000 Dudek ..... D6/300  
 D429,775 S \* 8/2000 Adelman ..... D21/478  
 D432,592 S \* 10/2000 Yip ..... D21/480  
 D438,858 S \* 3/2001 del Castillo ..... D14/188  
 6,749,480 B1 \* 6/2004 Hunts ..... A63H 33/046  
 446/85  
 D497,238 S \* 10/2004 Maniak ..... D1/100  
 D551,116 S \* 9/2007 Devory, Jr. .... D11/131  
 D729,116 S \* 5/2015 Riccobono ..... D11/165  
 D801,443 S \* 10/2017 Du Toit ..... D21/499  
 D807,435 S \* 1/2018 Dykes ..... D21/337  
 D809,709 S \* 2/2018 Reda ..... D28/8.1  
 D809,710 S \* 2/2018 Reda ..... D28/8.1  
 2002/0119725 A1 \* 8/2002 Pupulin ..... A63H 33/04  
 446/85  
 2002/0187720 A1 \* 12/2002 Engle ..... A63H 33/10  
 446/85  
 2015/0079870 A1 \* 3/2015 Howard ..... A63H 33/046  
 446/92  
 2015/0079871 A1 \* 3/2015 Howard ..... A63H 33/046  
 446/92

\* cited by examiner

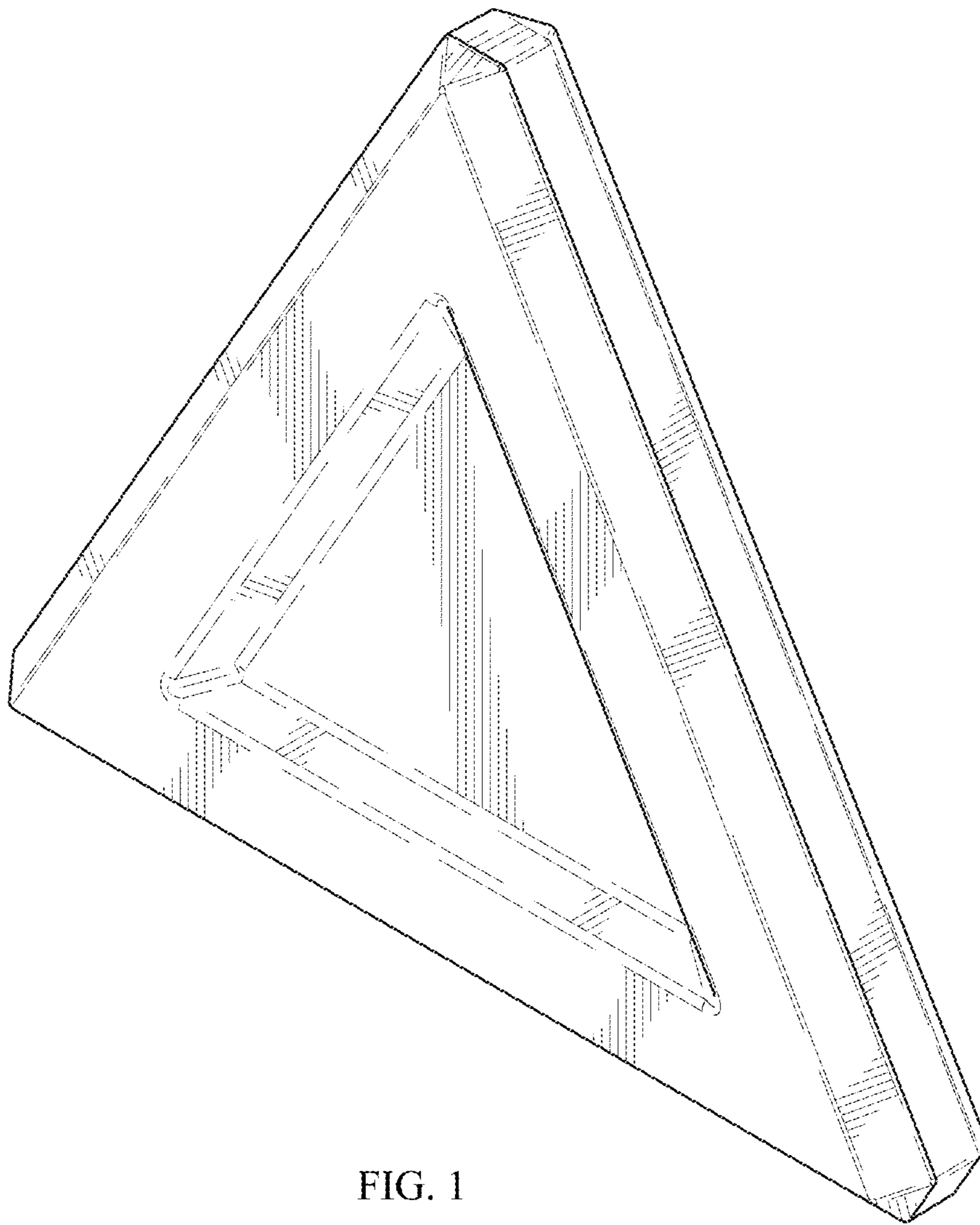


FIG. 1

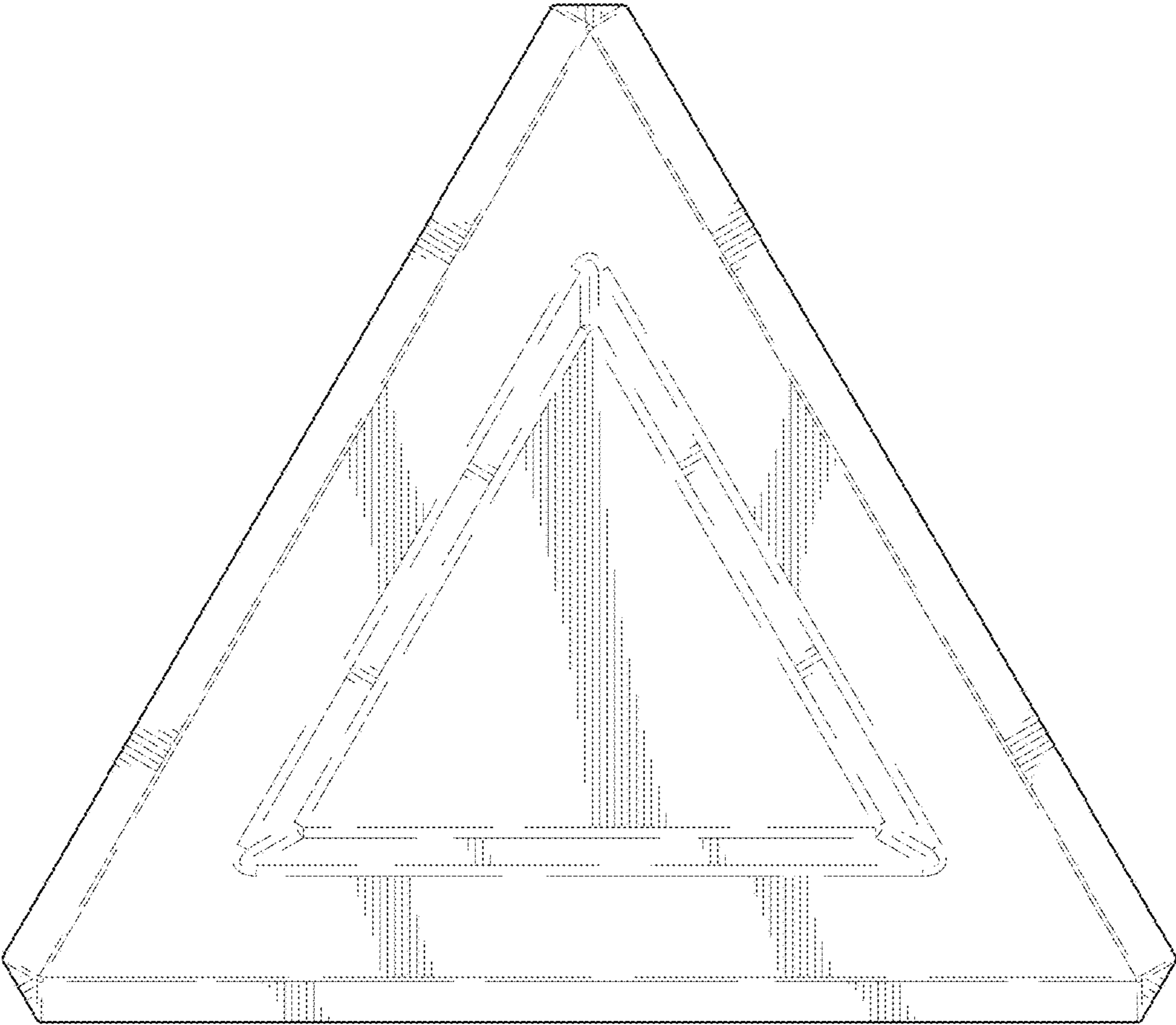


FIG. 2

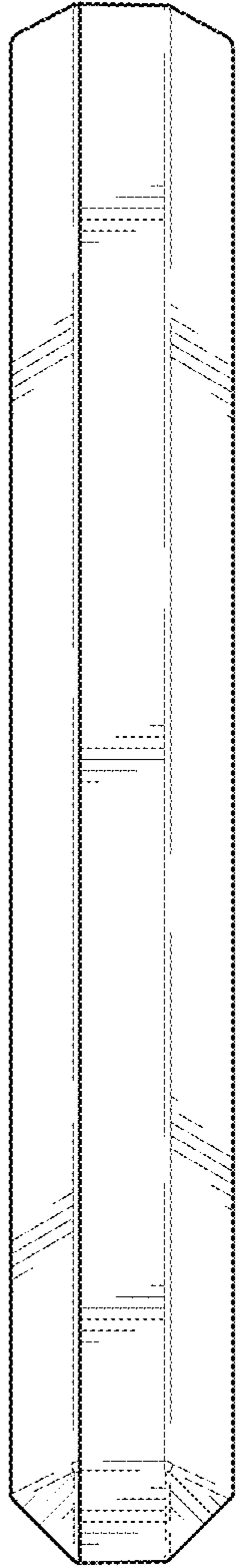


FIG. 3

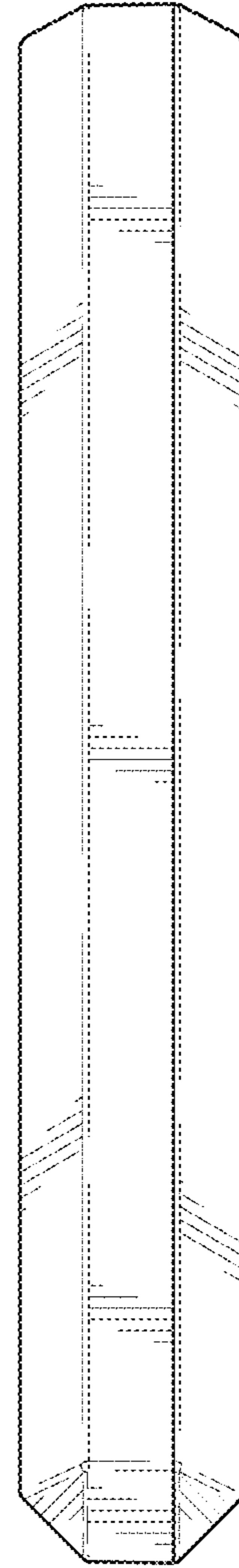


FIG. 5

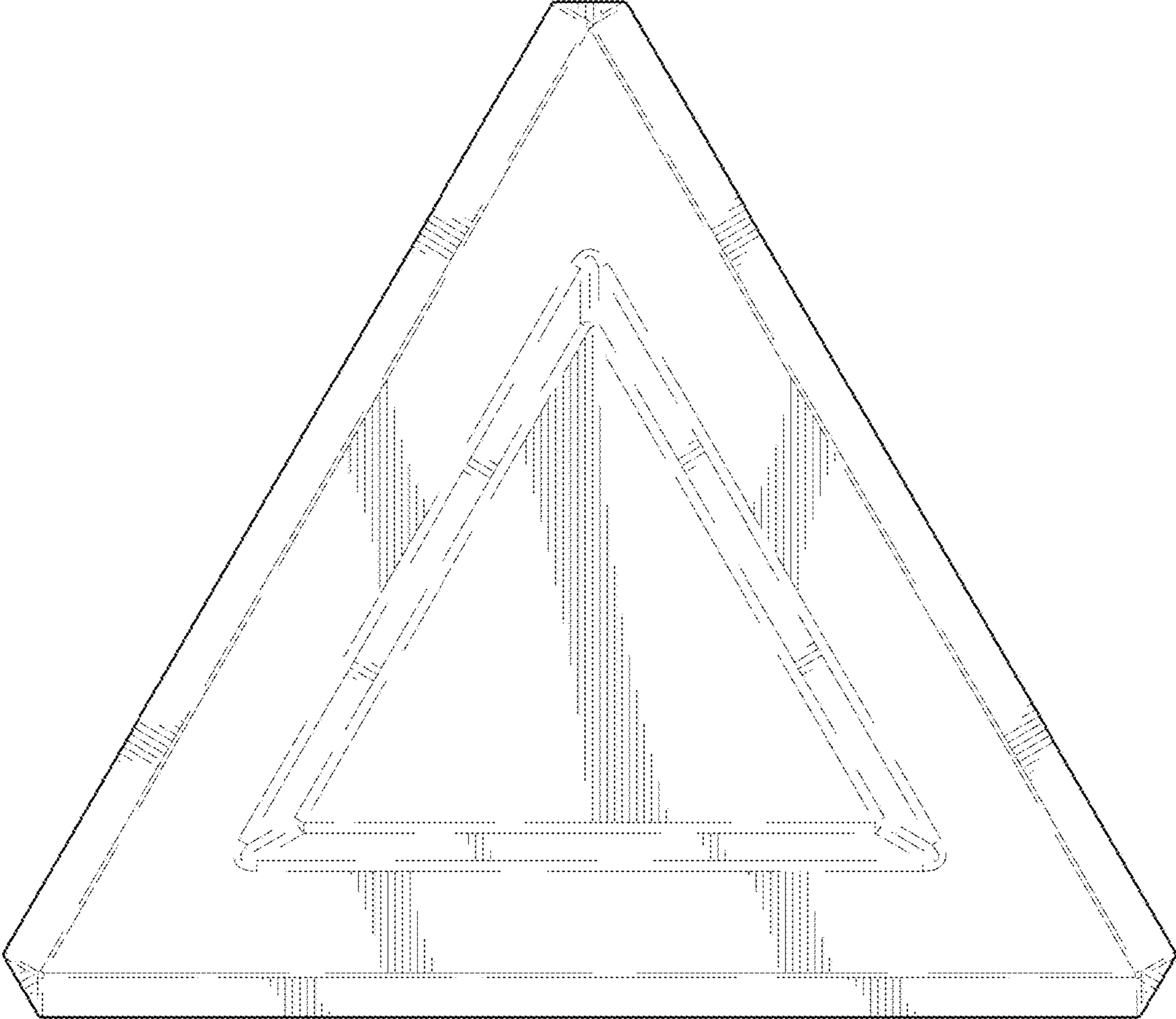


FIG. 4

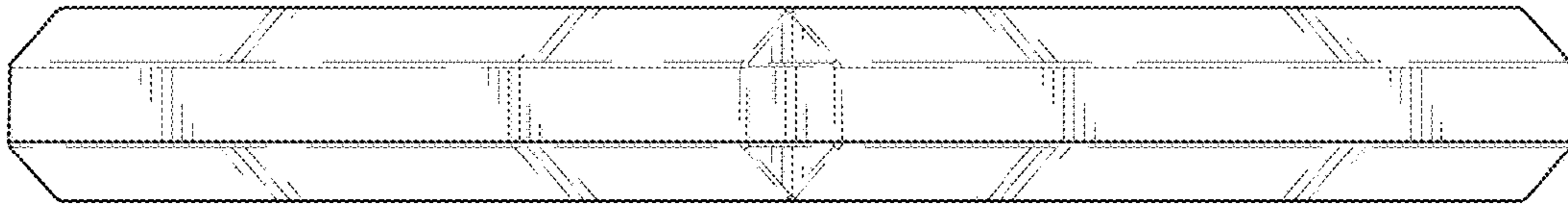


FIG. 6

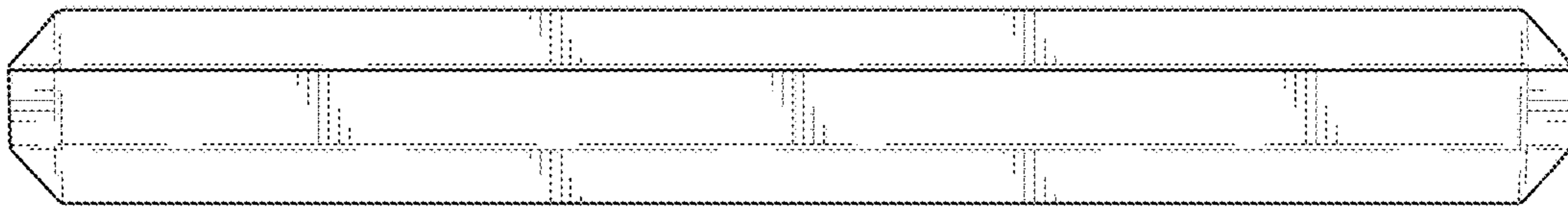


FIG. 7