



US00D827720S

(12) **United States Design Patent** (10) **Patent No.:** **US D827,720 S**  
**Whang** (45) **Date of Patent:** **\*\* Sep. 4, 2018**

(54) **RECTANGULAR TILE MAGNETIC TOY**  
(71) Applicant: **Click-Block Corporation**, Rolling Meadows, IL (US)  
(72) Inventor: **Byung Hui Whang**, Chicago, IL (US)  
(73) Assignee: **CLICK-BLOCK CORPORATION**, Rolling Meadows, IL (US)  
(\*\*) Term: **15 Years**

5,620,325 A \* 4/1997 Glick ..... A63H 33/04  
434/258  
D392,957 S \* 3/1998 Gaete ..... D20/10  
D397,397 S \* 8/1998 Strawcutter ..... D21/811  
D464,808 S \* 10/2002 Martinez ..... D6/300  
D497,212 S \* 10/2004 Poliacek ..... D25/138  
D499,773 S \* 12/2004 May ..... D21/484  
D508,300 S \* 8/2005 O'Dell ..... D34/38  
D531,027 S \* 10/2006 Ramirez ..... D9/435  
D590,123 S \* 4/2009 Hermans ..... D34/38  
D667,506 S \* 9/2012 Peeters ..... D21/478  
D674,123 S \* 1/2013 Yonash ..... D25/157

(Continued)

(21) Appl. No.: **29/597,234**  
(22) Filed: **Mar. 15, 2017**  
(51) **LOC (11) Cl.** ..... **21-01**  
(52) **U.S. Cl.**  
USPC ..... **D21/404**  
(58) **Field of Classification Search**  
USPC ..... 446/69, 75, 76, 85, 102, 129, 256, 486,  
446/491; 473/124.04, 124.06, 569;  
D1/100, 117, 127, 128; D11/1, 40, 41,  
D11/42, 43, 75, 79, 80, 81, 86, 95, 121,  
D11/130, 131, 165, 181, 200, 238;  
D17/99; D18/183; D21/385, 398, 404,  
D21/468, 470, 471, 478, 479, 480, 483,  
D21/484, 491, 500, 504, 505; D24/100,  
D24/101, 102, 103, 104, 207; D28/4,  
D28/8.1, 8.2; D30/160; D32/40, 43;  
D6/300, 303  
CPC .... A63H 33/26; A63H 33/044; A63H 17/002;  
B29C 65/56  
See application file for complete search history.

(56) **References Cited**  
U.S. PATENT DOCUMENTS  
1,802,698 A \* 4/1931 Blanchard ..... A23G 3/20  
426/138  
D299,870 S \* 2/1989 Jennings ..... D25/157  
5,458,522 A \* 10/1995 Brooks ..... A63H 33/048  
446/85  
D365,160 S \* 12/1995 Tinen ..... D25/138  
D375,298 S \* 11/1996 Calfee ..... D14/451

OTHER PUBLICATIONS

Amazon, "JuniClick Translucent Magnetic Building Tiles", Apr. 6, 2018. [https://www.amazon.com/JuniClick-Translucent-Magnetic-Building-Adventurer/dp/B06Y3GQG8J/ref=pd\\_ybh\\_a\\_2?encoding=UTF8&psc=1&refRID=77SZ83N12TEE1WMD520](https://www.amazon.com/JuniClick-Translucent-Magnetic-Building-Adventurer/dp/B06Y3GQG8J/ref=pd_ybh_a_2?encoding=UTF8&psc=1&refRID=77SZ83N12TEE1WMD520). Shown on p. 1. (Year: 2018).\*

*Primary Examiner* — Cynthia Ramirez  
*Assistant Examiner* — Michael A Maharajh  
(74) *Attorney, Agent, or Firm* — Levenfeld Pearlstein, LLC

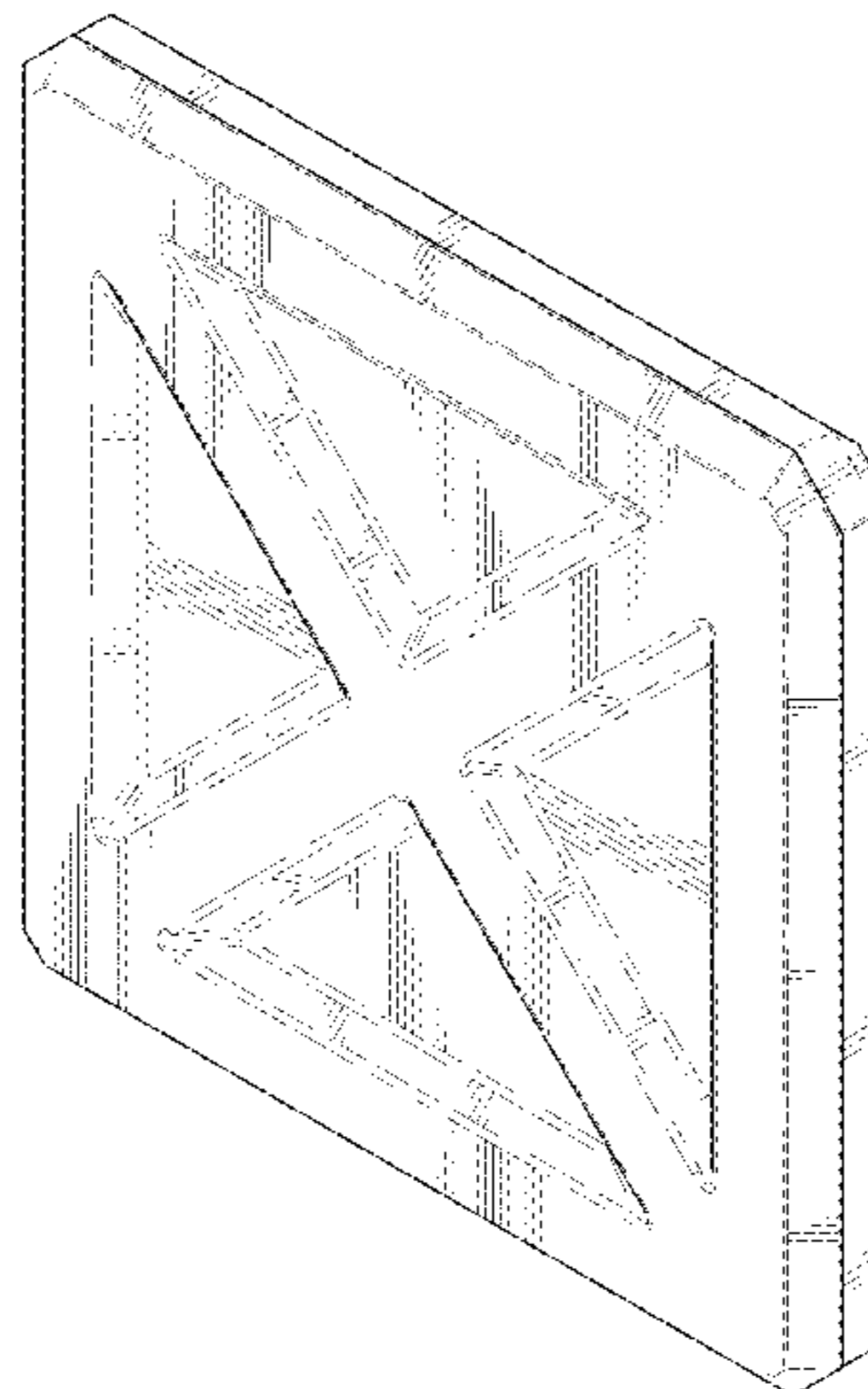
(57) **CLAIM**

The ornamental design for a rectangular tile magnetic toy, as shown and described.

**DESCRIPTION**

FIG. 1 is a top, front perspective view of a rectangular tile magnetic toy embodying my new design;  
FIG. 2 is a front view thereof;  
FIG. 3 is a side view thereof as seen from the right-hand side of FIG. 2;  
FIG. 4 is a rear view thereof;  
FIG. 5 is a side view thereof as seen from the left-hand side of FIG. 2;  
FIG. 6 is a top view thereof; and,  
FIG. 7 is a bottom view thereof.

**1 Claim, 5 Drawing Sheets**



(56)

**References Cited**

U.S. PATENT DOCUMENTS

D704,354	S	*	5/2014	Masaneck, Jr.	.....	D25/163
D708,358	S	*	7/2014	Masaneck, Jr.	.....	D25/163
D742,123	S	*	11/2015	Hansen	.....	D5/58
D789,829	S	*	6/2017	Nemeth	.....	D11/121
D789,830	S	*	6/2017	Nemeth	.....	D11/121
2002/0119725	A1	*	8/2002	Pupulin	.....	A63H 33/04 446/85
2009/0317599	A1	*	12/2009	Heuman	.....	A47G 1/065 428/189

\* cited by examiner

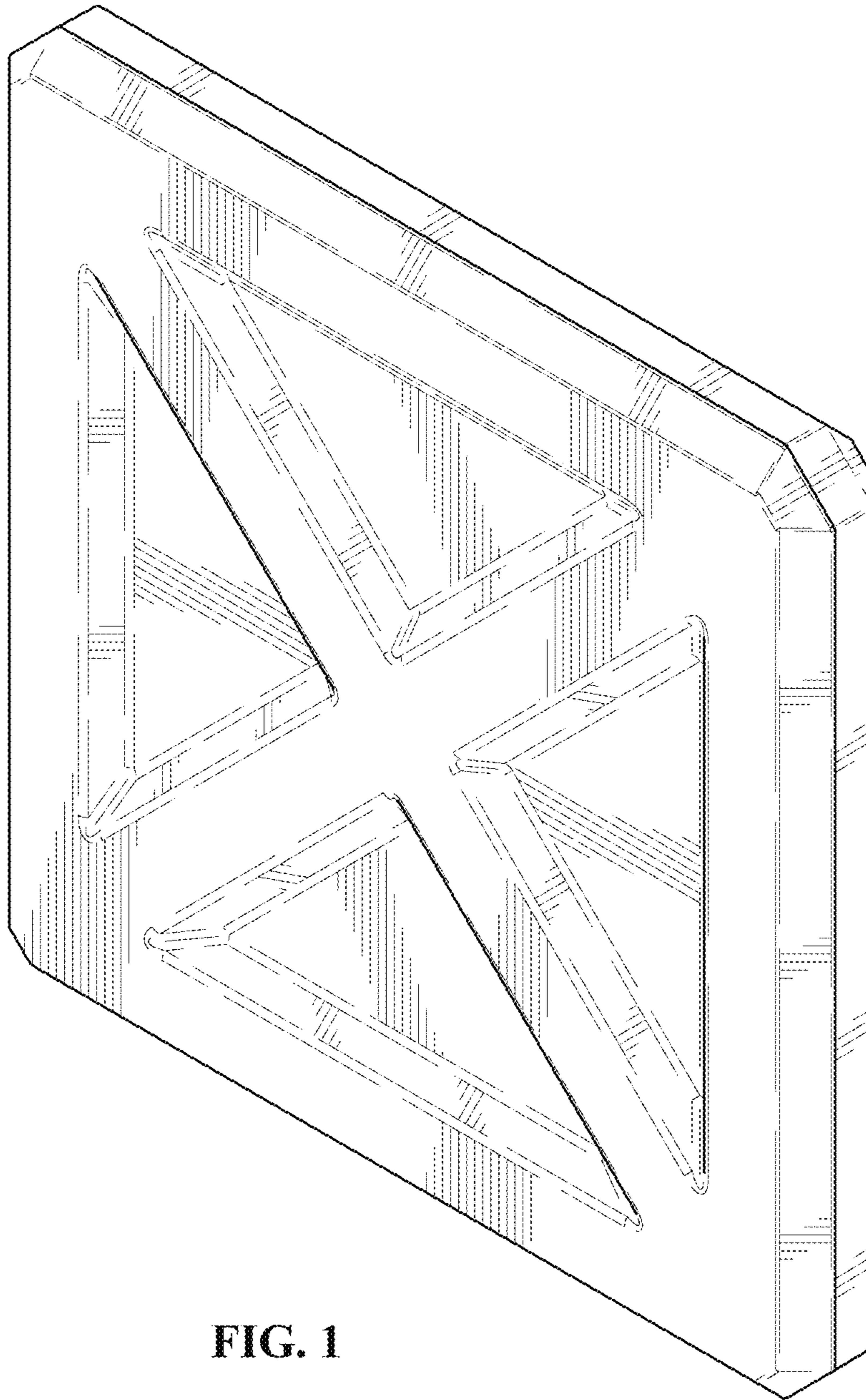


FIG. 1

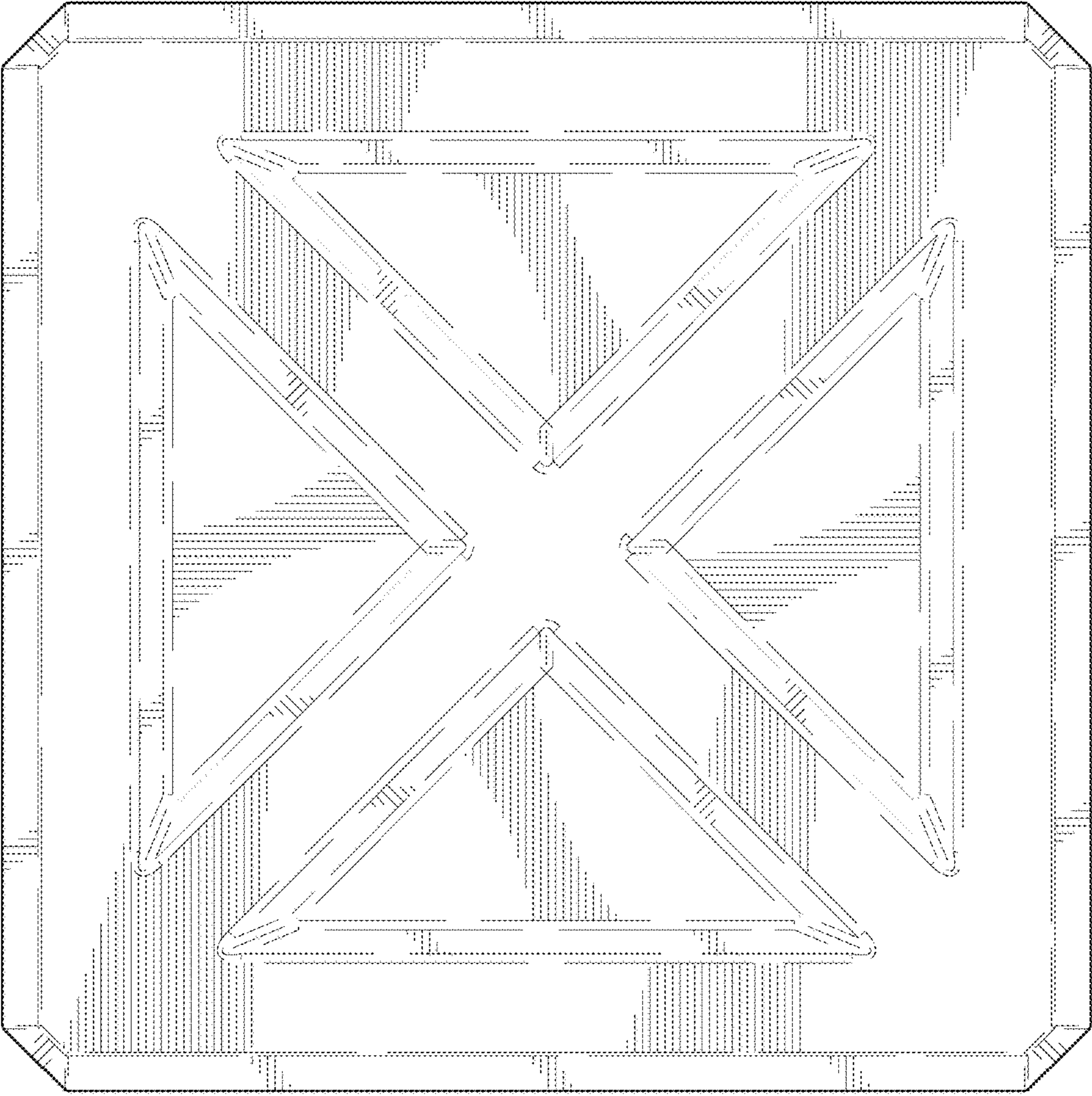


FIG. 2

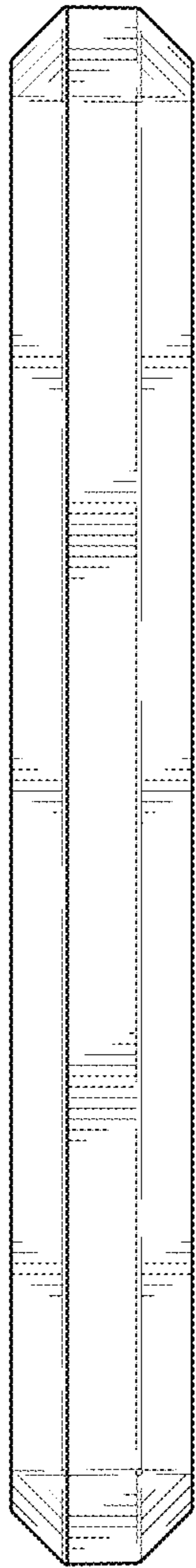


FIG. 3

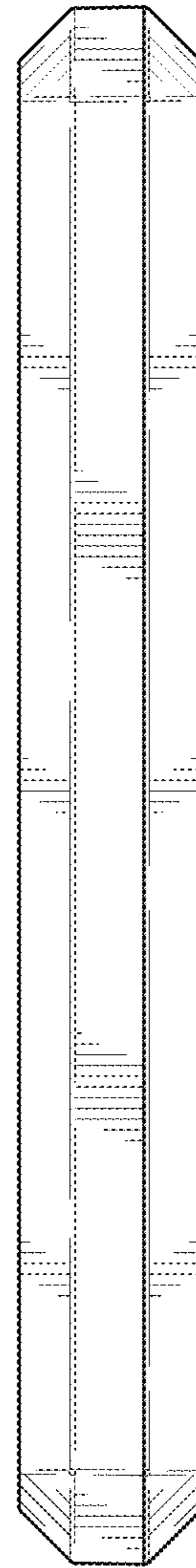


FIG. 5

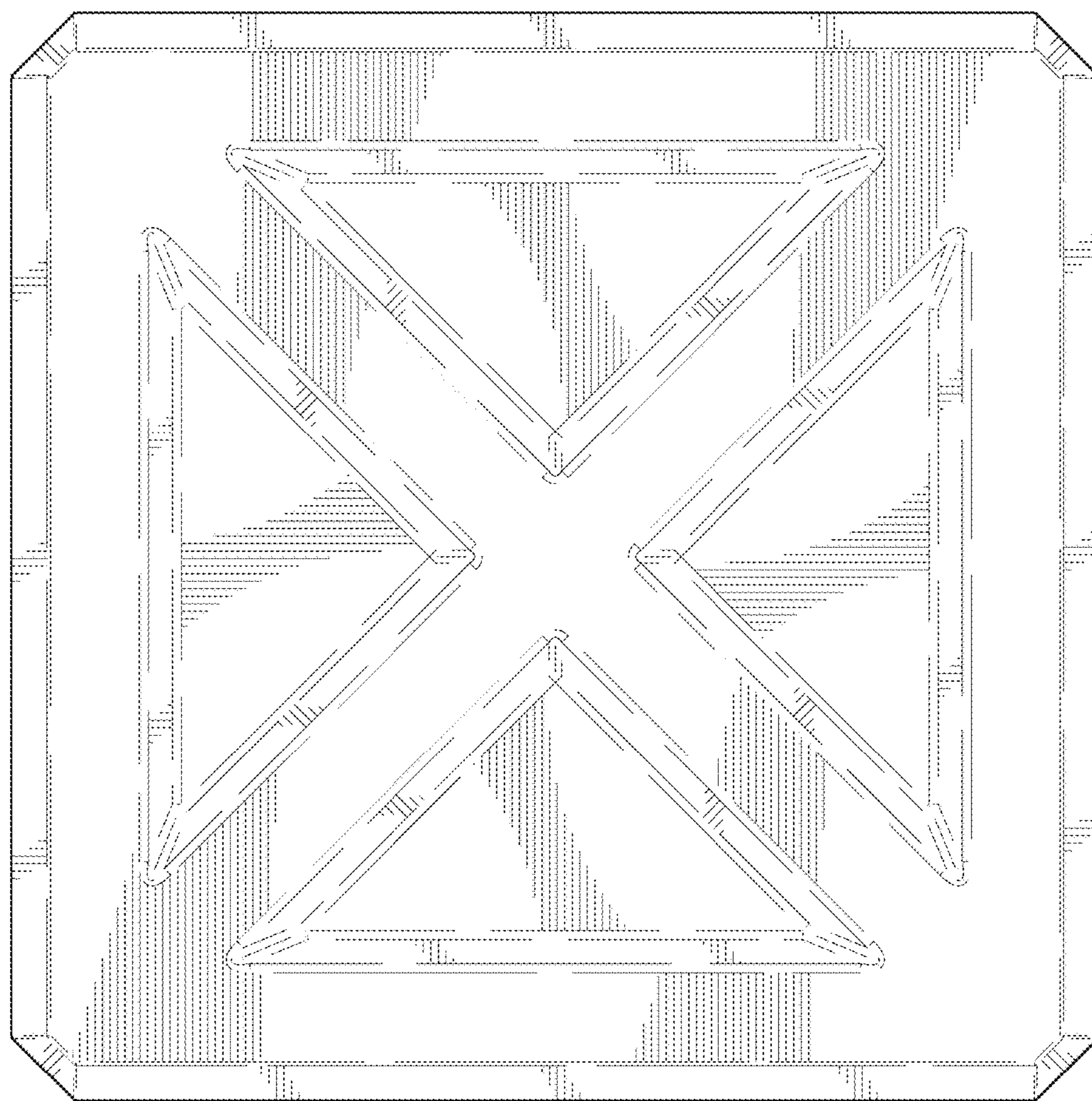


FIG. 4

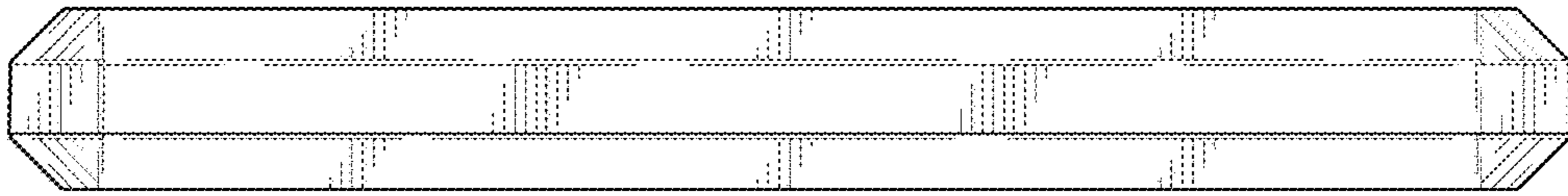


FIG. 6

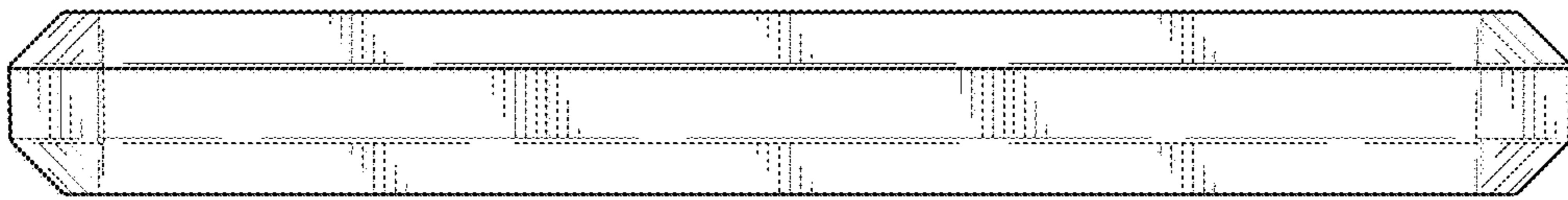


FIG. 7