



US00D827717S

(12) **United States Design Patent**
Sandahl

(10) **Patent No.:** **US D827,717 S**

(45) **Date of Patent:** **** Sep. 4, 2018**

(54) **PANEL FOR A REVERSE VENDING MACHINE**

(71) Applicant: **TOMRA SYSTEMS ASA**, Asker (NO)

(72) Inventor: **Silje Sandahl**, Oslo (NO)

(73) Assignee: **TOMRA SYSTEMS ASA**, Asker (NO)

(**) Term: **15 Years**

(21) Appl. No.: **29/555,123**

(22) Filed: **Feb. 18, 2016**

Related U.S. Application Data

(62) Division of application No. 29/453,752, filed on May 2, 2013, now Pat. No. Des. 753,227.

(30) **Foreign Application Priority Data**

Nov. 2, 2012 (EM) 002129569

Nov. 2, 2012 (NO) 20120946

(51) **LOC (11) Cl.** **20-01**

(52) **U.S. Cl.**
USPC **D20/8**

(58) **Field of Classification Search**

USPC D20/1-9; D17/79, 81, 89; D99/28
CPC . G07F 7/00; G07F 7/06; G07F 7/0609; G07F
7/069; G07F 9/026; G07F 9/10; G07F
9/16; G07F 11/00; G07F 11/005; G07F
11/007; G07F 11/02; G07F 11/04; G07F
11/10; G07F 11/14; G07F 11/32; G07F
11/46; G07F 11/54; G07F 11/62; B28B
3/02; B30B 9/321

See application file for complete search history.

(56) **References Cited**

U.S. PATENT DOCUMENTS

D179,460 S * 12/1956 Reynolds et al. D20/5
3,000,408 A * 9/1961 Vischer, Jr. G07F 13/10
141/174

5,152,387 A 10/1992 Hammond
5,333,542 A 8/1994 Lewis et al.
5,361,913 A 11/1994 Melchionna
5,461,972 A * 10/1995 Tahkanen B30B 9/321
100/137
D422,314 S 4/2000 Tandberg
D422,639 S * 4/2000 Bell D20/9
D425,563 S * 5/2000 Tandberg D20/8
D430,900 S 9/2000 Iwata et al.
6,186,308 B1 * 2/2001 Coyne G07F 7/0609
194/209
D441,022 S 4/2001 Vaajakallio
D441,023 S 4/2001 Vaajakallio
D521,073 S * 5/2006 Sandahl D20/8
D644,472 S 9/2011 Ponzio et al.
D647,355 S 10/2011 Ponzio et al.

(Continued)

Primary Examiner — Mary Ann Calabrese

(74) *Attorney, Agent, or Firm* — Knobbe, Martens, Olson & Bear LLP

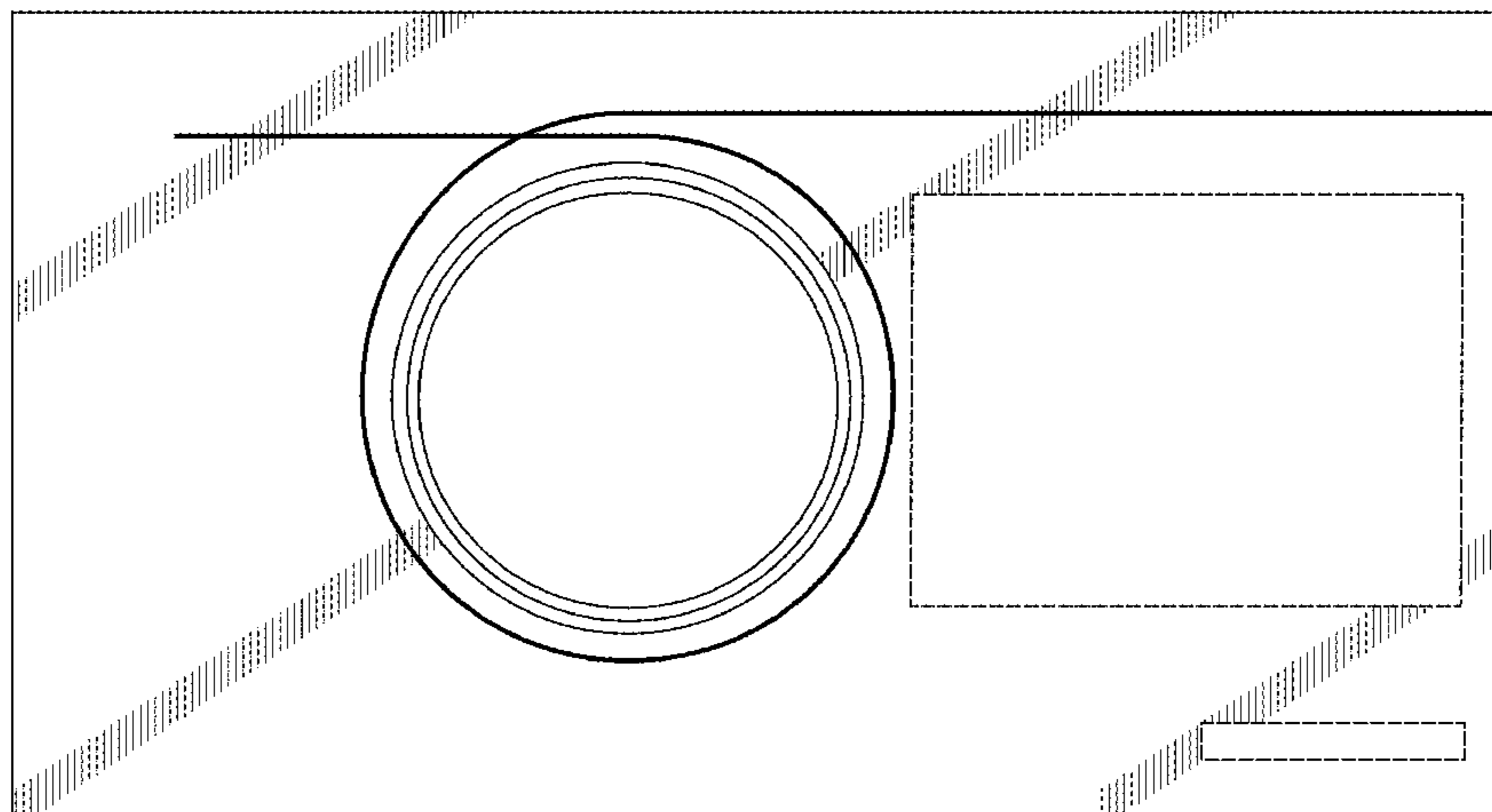
(57) **CLAIM**

The ornamental design for a panel for a reverse vending machine, as shown and described.

DESCRIPTION

FIG. 1 is a front elevational view of a panel for a reverse vending machine showing my new design.
FIG. 2 is a perspective view thereof.
FIG. 3 is a left side elevational view thereof.
FIG. 4 is a bottom plan view thereof.
FIG. 5 is a right side elevational view thereof; and,
FIG. 6 is a top plan view thereof.
The broken lines in FIGS. 1-2 depict environmental features that form no part of the claimed design. The rear view of the panel for a reverse vending machine is not shown because it is not visible during normal use.

1 Claim, 6 Drawing Sheets



(56)

References Cited

U.S. PATENT DOCUMENTS

8,718,818 B2 * 5/2014 Nordbryhn G07F 7/0609
700/232
8,851,265 B2 * 10/2014 Morishita B08B 3/02
194/208
D753,227 S * 4/2016 Sandahl D20/8
D772,522 S * 11/2016 Henderson D99/28
2004/0055854 A1 3/2004 Klein
2011/0264284 A1 10/2011 Rudick et al.
2012/0068585 A1 3/2012 Wind
2014/0147005 A1 5/2014 Kavli et al.

* cited by examiner

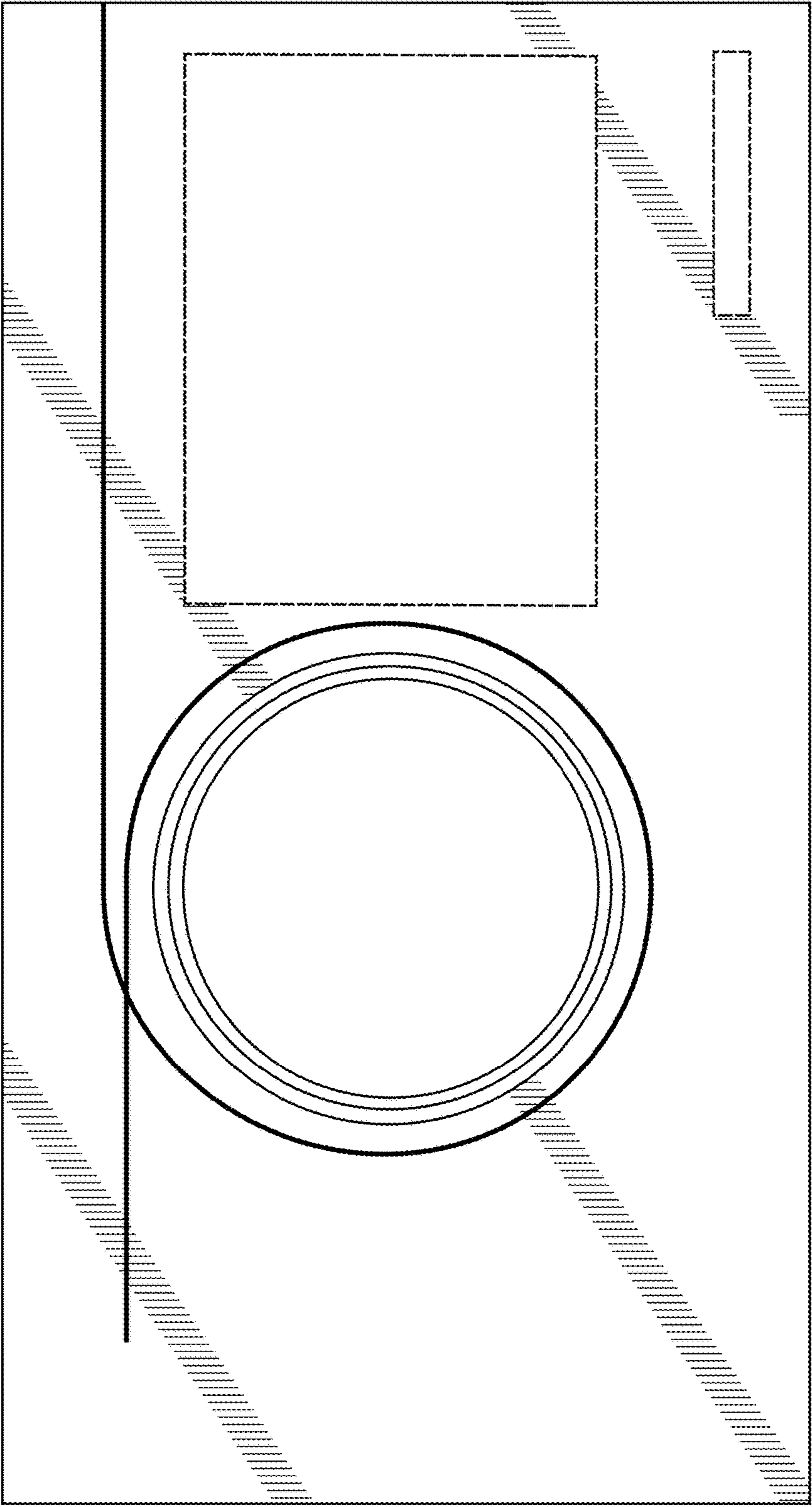


FIG. 1

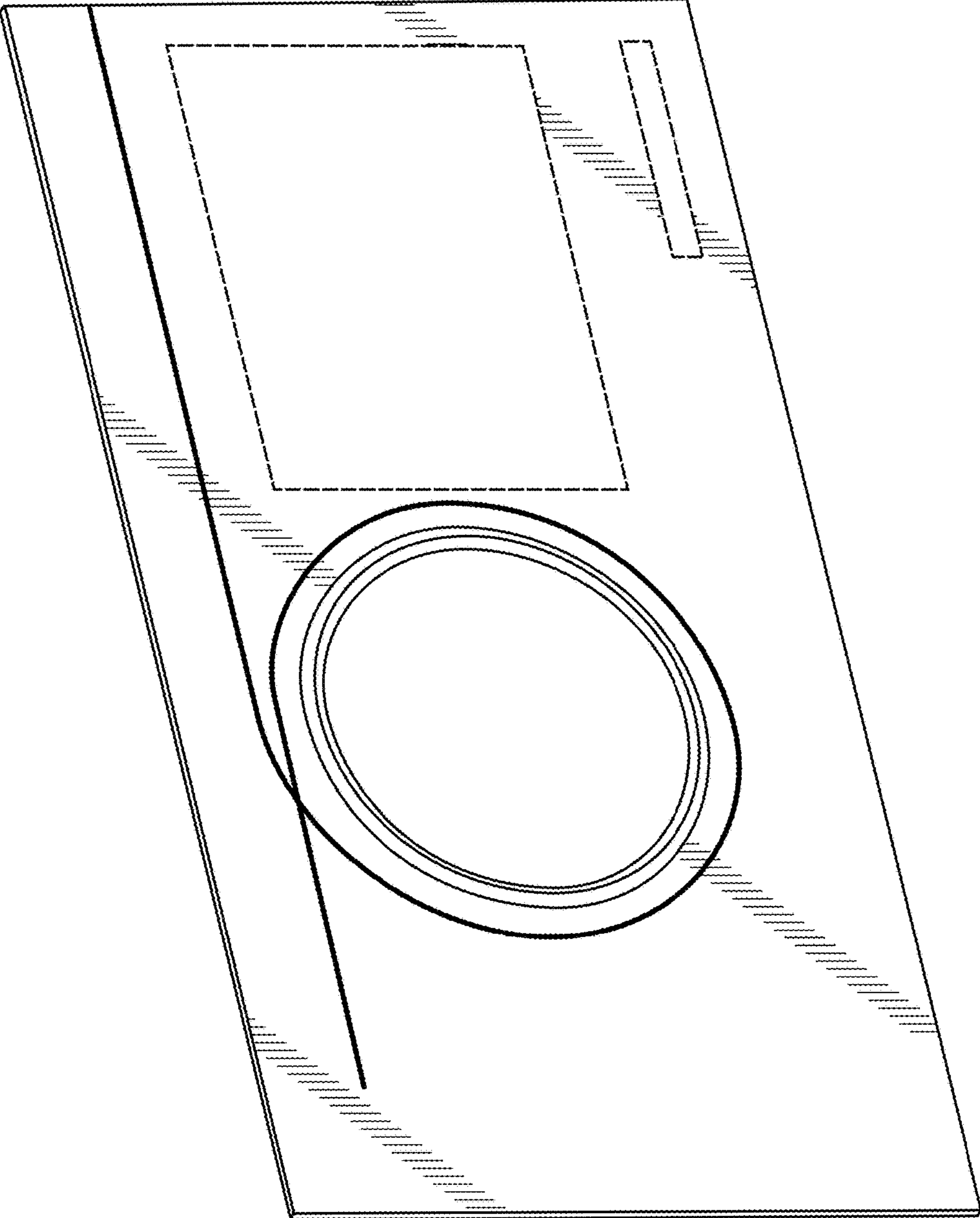


FIG. 2

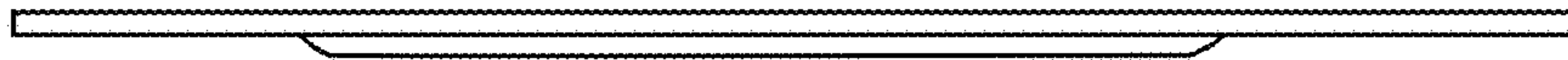


FIG. 3

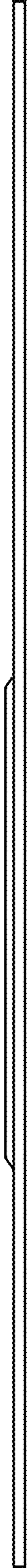


FIG. 4

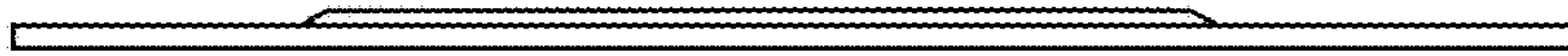


FIG. 5



FIG.6