



US00D827711S

(12) **United States Design Patent** (10) **Patent No.:** **US D827,711 S**  
**Casciotti et al.** (45) **Date of Patent:** **\*\* Sep. 4, 2018**

(54) **WRITING INSTRUMENT**

(71) Applicant: **Amsterdam Printing & Litho, Inc.**,  
North Mankato, MN (US)

(72) Inventors: **David M. Casciotti**, Amsterdam, NY  
(US); **Jing P. Mahler**, Glenville, NY  
(US); **Darren Costelloe**, Albany, NY  
(US)

(73) Assignee: **Amsterdam Printing & Litho, Inc.**,  
Mankato, MN (US)

(\*\*) Term: **15 Years**

(21) Appl. No.: **29/609,442**

(22) Filed: **Jun. 30, 2017**

(51) **LOC (11) Cl.** ..... **19-06**

(52) **U.S. Cl.**  
USPC ..... **D19/173; D19/904**

(58) **Field of Classification Search**  
USPC ..... D14/411; D19/115–204  
CPC . B43K 5/005; B43K 7/12; B43K 8/04; B43K  
8/06; B43K 19/00; B43K 19/02; B43K  
19/14; B43K 21/006; B43K 21/06  
See application file for complete search history.

(56) **References Cited**

**U.S. PATENT DOCUMENTS**

D86,433 S *	3/1932	Back	.....	D11/38
D247,246 S *	2/1978	Verona	.....	D19/169
D433,704 S *	11/2000	Kouda	.....	D19/174
D433,705 S *	11/2000	Kohlhase	.....	D19/173
D458,966 S *	6/2002	Oka	.....	D19/195
D518,906 S *	4/2006	Stoddard	.....	D26/37
D575,822 S *	8/2008	Rolion	.....	D19/174

D580,494 S *	11/2008	Delancourt	.....	D19/170
D603,900 S *	11/2009	Jin	.....	D19/185
D626,592 S *	11/2010	Casciotti	.....	D19/201
D641,408 S *	7/2011	Zhang	.....	D19/172
D643,066 S *	8/2011	Casciotti	.....	D19/201
D648,387 S *	11/2011	Liang	.....	D19/172
D650,858 S *	12/2011	Keda	.....	D19/174
D651,244 S *	12/2011	Yuan	.....	D19/172
D651,245 S *	12/2011	Yuan	.....	D19/172
D656,194 S *	3/2012	Yuan	.....	D19/172
D667,501 S *	9/2012	Avenatti	.....	D19/172
D697,970 S *	1/2014	Jin	.....	D19/173
D713,881 S *	9/2014	Koch	.....	D19/173
D767,034 S *	9/2016	Zhang	.....	D19/173
D787,594 S *	5/2017	Jin	.....	D19/172

\* cited by examiner

*Primary Examiner* — Elizabeth A. Albert

(74) *Attorney, Agent, or Firm* — Dicke, Billig & Czaja,  
PLLC

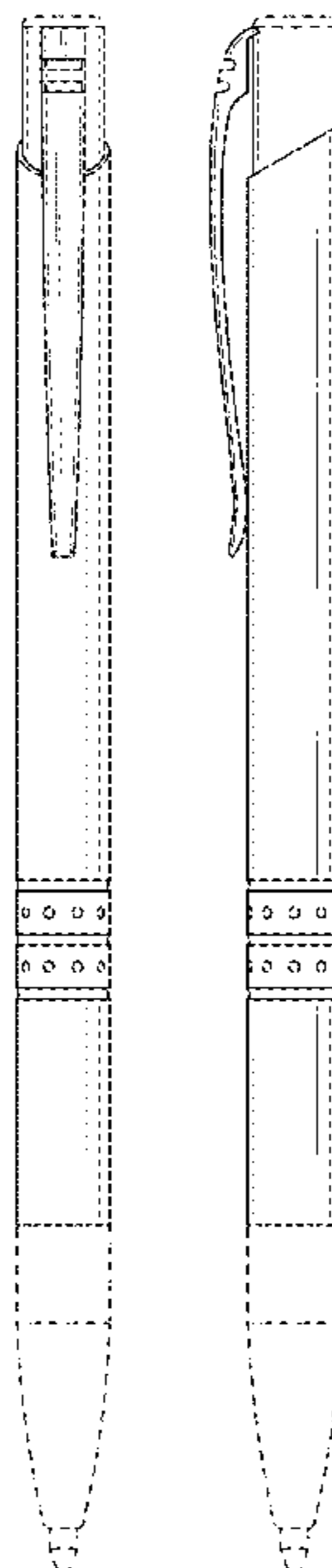
(57) **CLAIM**

We claim the ornamental design for a writing instrument, as shown and described.

**DESCRIPTION**

FIG. 1 is an isometric view of a writing instrument showing our new design;  
FIG. 2 is a front view of FIG. 1;  
FIG. 3 is a back view of FIG. 1;  
FIG. 4 is a left side view of FIG. 1, the right side view being a mirror image of FIG. 4;  
FIG. 5 is an enlarged top view of FIG. 1; and,  
FIG. 6 is an enlarged bottom view of FIG. 1.  
The broken lines in the drawings of FIGS. 1-6 are included for the purpose of showing portions that form no part of the claimed design.

**1 Claim, 4 Drawing Sheets**



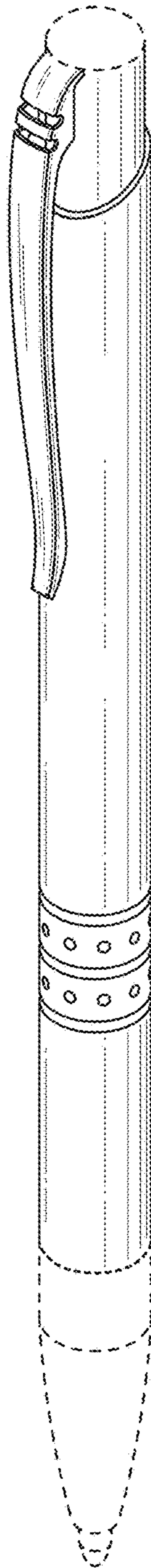


Fig. 1

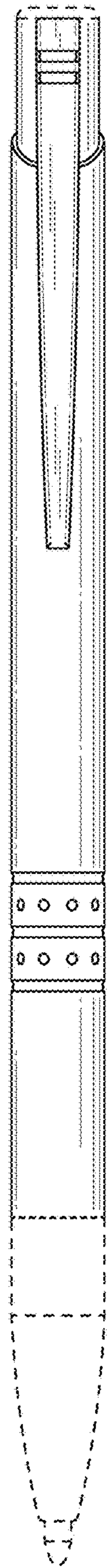


Fig. 2

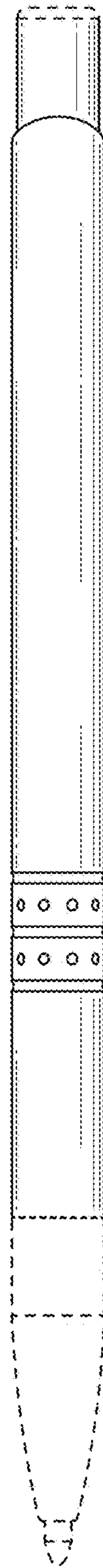


Fig. 3

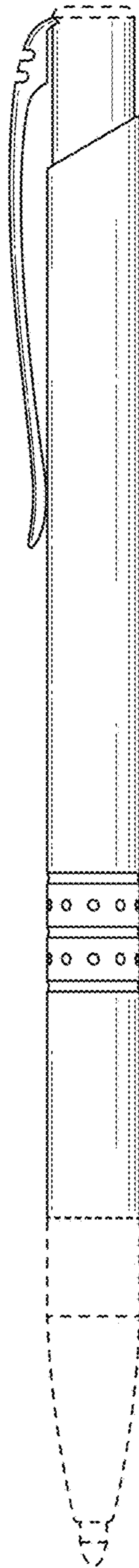
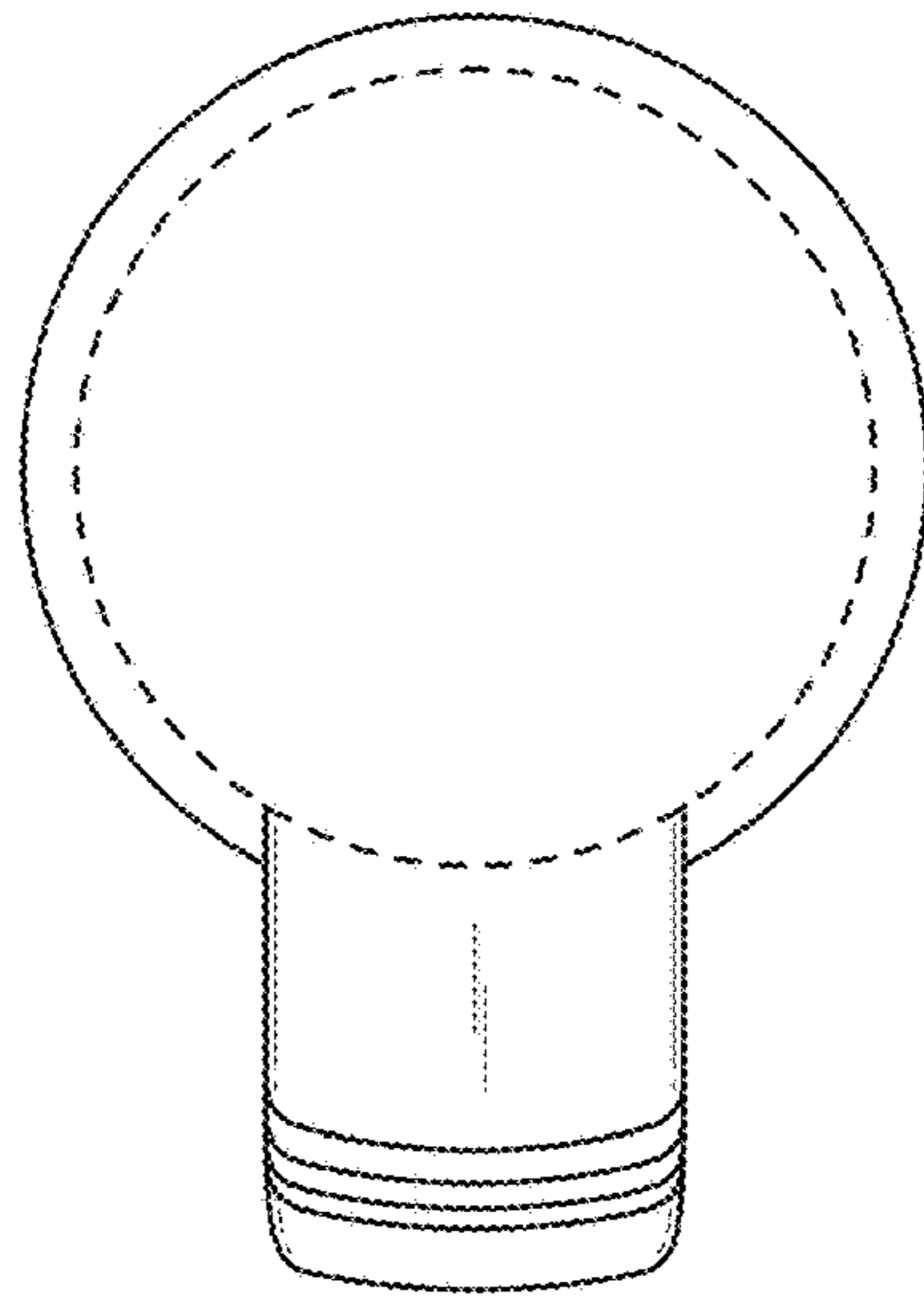
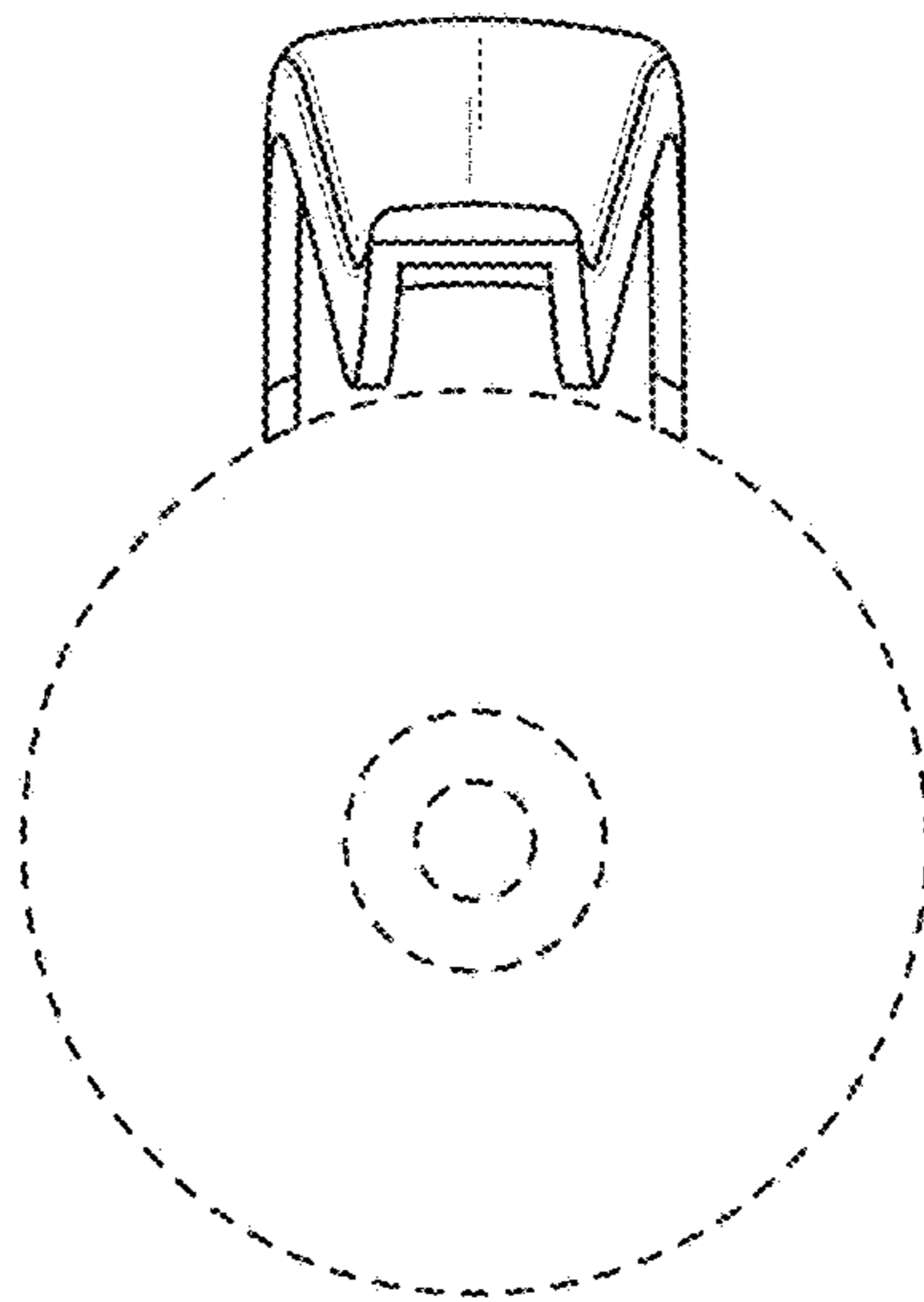


Fig. 4



**Fig. 5**



**Fig. 6**