



US00D827710S

(12) **United States Design Patent** (10) **Patent No.:** **US D827,710 S**
Fulmore (45) **Date of Patent:** **** Sep. 4, 2018**

(54) **DOCUMENT DISPLAYING HOLDER**

(71) Applicant: **Maureen Fulmore**, Punta Gorda, FL (US)

(72) Inventor: **Maureen Fulmore**, Punta Gorda, FL (US)

(**) Term: **15 Years**

(21) Appl. No.: **29/596,277**

(22) Filed: **Mar. 7, 2017**

(51) **LOC (11) Cl.** **19-02**

(52) **U.S. Cl.**

USPC **D19/91**; D19/90; D19/86; D20/42

(58) **Field of Classification Search**

USPC D19/86, 20, 90, 91; D20/42, 43; D6/300, 513; 248/206.2; 224/482; 40/593

CPC ... G09F 1/12; G09F 3/20; G09F 3/185; A47G 1/06; A47G 1/12; B42D 3/12; B42F 9/001

See application file for complete search history.

(56) **References Cited**

U.S. PATENT DOCUMENTS

D204,588 S *	5/1966	Laub	D20/43
3,313,053 A *	4/1967	Vogeli, Sr.	G09F 3/18 40/593
3,533,178 A	10/1970	Strohmaier		
D249,766 S *	10/1978	Munn	D19/20
4,184,276 A	1/1980	Hernandez		
D258,297 S *	2/1981	Pittman	D20/27
D284,777 S *	7/1986	Anthony	D19/91
D285,704 S *	9/1986	Burrell	D20/43
D303,403 S	9/1989	Barcom		
D316,275 S *	4/1991	Davis	D19/86
5,069,376 A	12/1991	Barel		
D345,662 S *	4/1994	Golub	D6/513
D364,427 S *	11/1995	Kirchhoff	D19/88
5,620,162 A *	4/1997	Beckwith	A47B 21/045 248/442.2

D388,468 S *	12/1997	Rife	D20/42
D397,365 S *	8/1998	Johnson	D19/90
5,960,572 A *	10/1999	DeVito	G09F 7/18 248/206.2
6,886,282 B2	5/2005	Sumner, III et al.		
7,712,644 B2 *	5/2010	Rafalowicz	B60R 11/00 224/482
D665,810 S *	8/2012	Jones	D14/440
D708,270 S *	7/2014	Heirakuji	D20/43
2003/0079392 A1	5/2003	Newman		

(Continued)

OTHER PUBLICATIONS

One Pocket Document Holder posted by Deflecto Corporation posted review date Jul. 24, 2010, © Wayfair, [online], [site visited Apr. 5, 2018]. Available from Internet, <https://www.wayfair.com/commercial/pdp/deflect-o-corporation-l-pocket-document-holder-fc2100.html> (Year: 2010).*

(Continued)

Primary Examiner — Cynthia Ramirez

Assistant Examiner — Laura H Yu

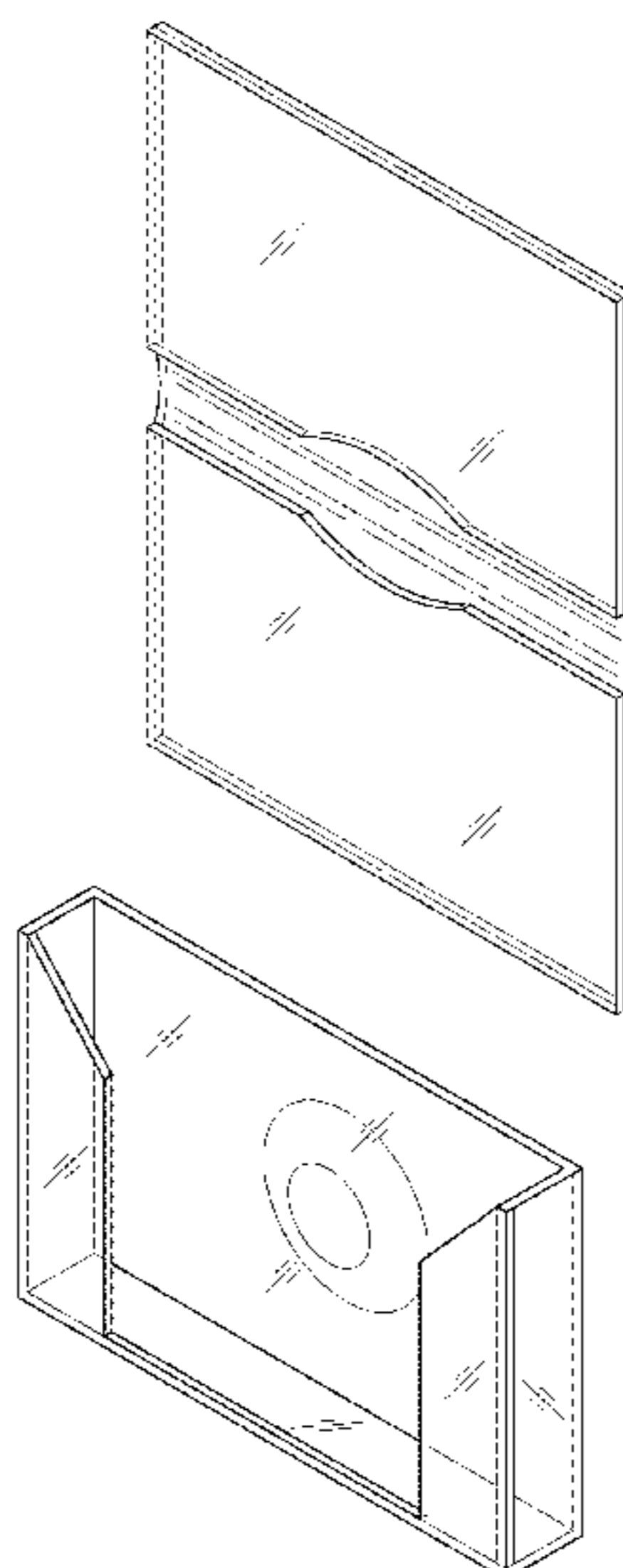
(57) **CLAIM**

The ornamental design for a document displaying holder, as shown and described.

DESCRIPTION

FIG. 1 is a front view of a document displaying holder showing my new design; FIG. 2 is a rear view of the document displaying holder; FIG. 3 is a left side view of the document displaying holder, a right side view being a mirror image thereof; FIG. 4 is a top view of the document displaying holder; FIG. 5 is a bottom view of the document displaying holder; and, FIG. 6 is a top front side perspective view of the document displaying holder.

1 Claim, 5 Drawing Sheets



(56)

References Cited

U.S. PATENT DOCUMENTS

2004/0035039 A1 2/2004 Bilinsky
2017/0140678 A1* 5/2017 Shepard G09F 3/20

OTHER PUBLICATIONS

Plastic Display Holder posted by The Products Store posted date
Apr. 24, 2013, © Amazon UK, [online], [site visited Apr. 5, 2018].
Available from Internet, <https://www.amazon.co.uk/Brochure-Literature-Dispenser-Vertical-Wall-Mounted/dp/B00CI95LOG> (Year:
2013).*

* cited by examiner

FIG. 1

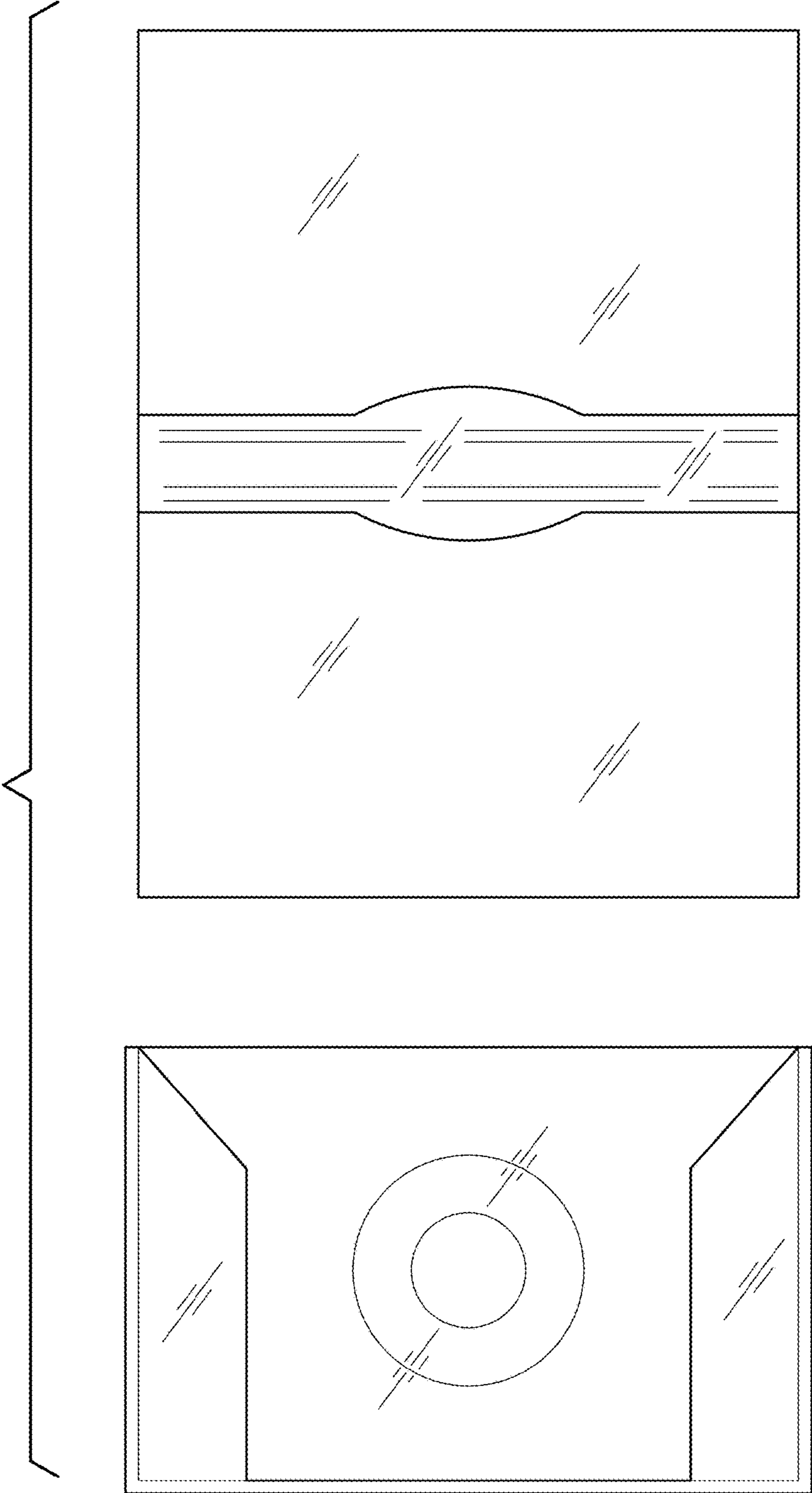


FIG. 2

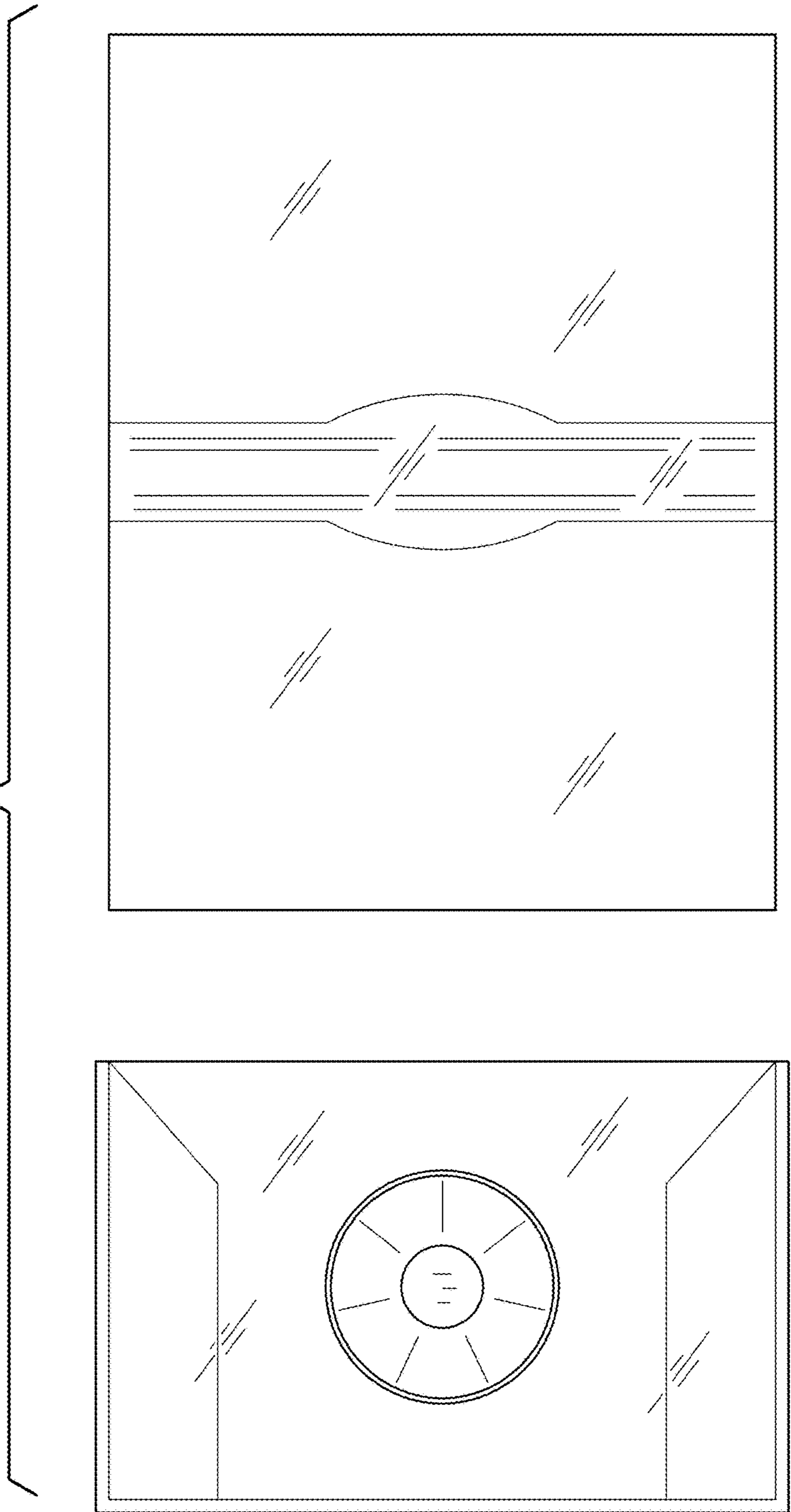


FIG. 3

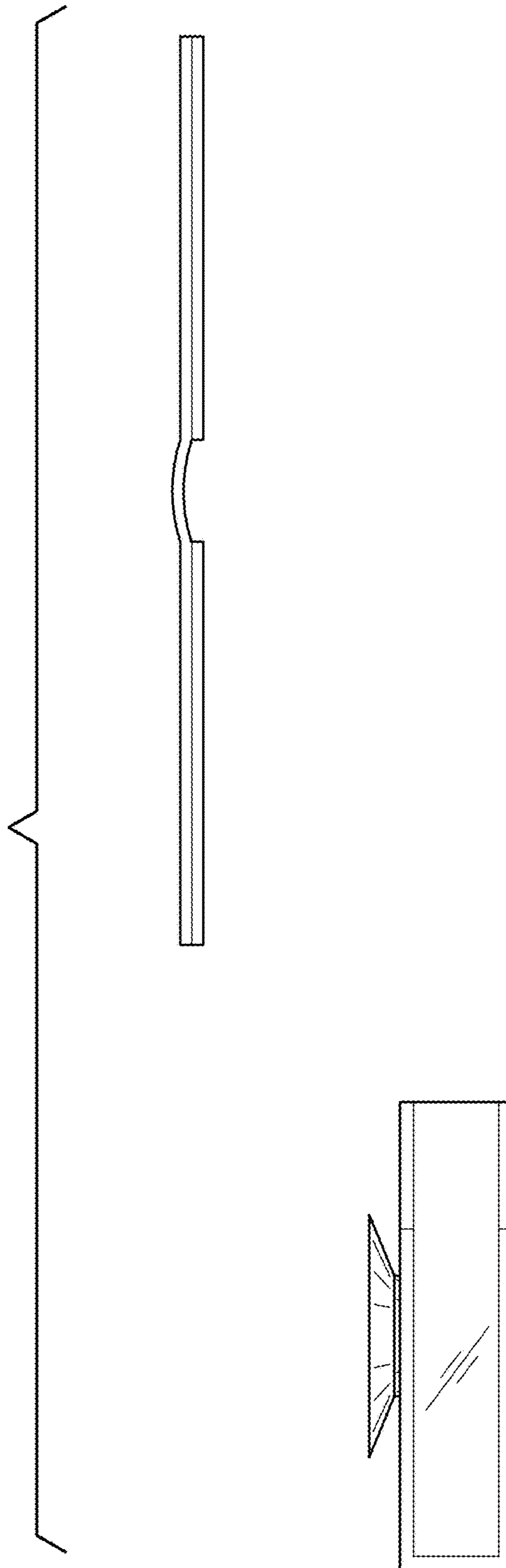


FIG. 4

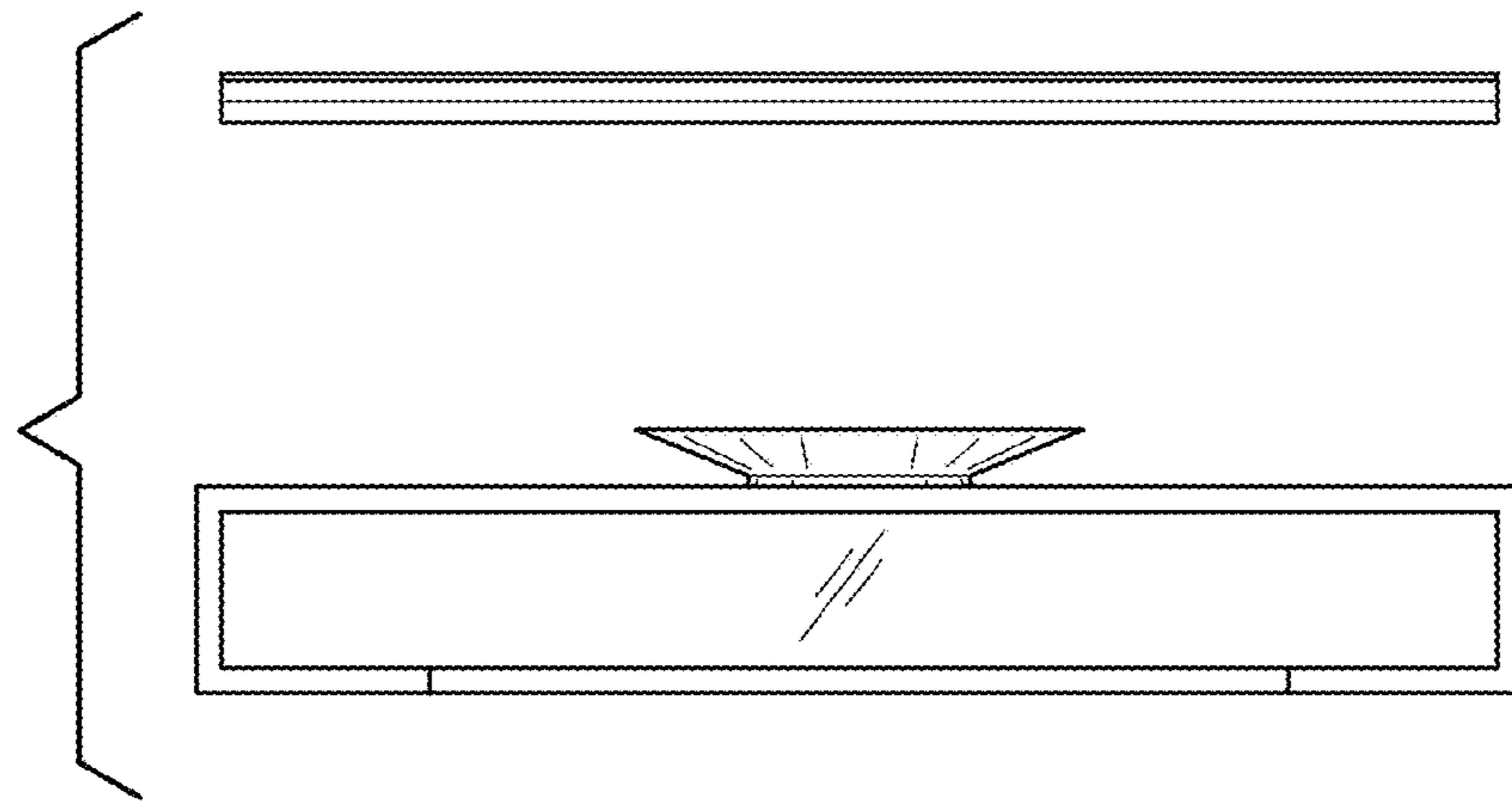


FIG. 5

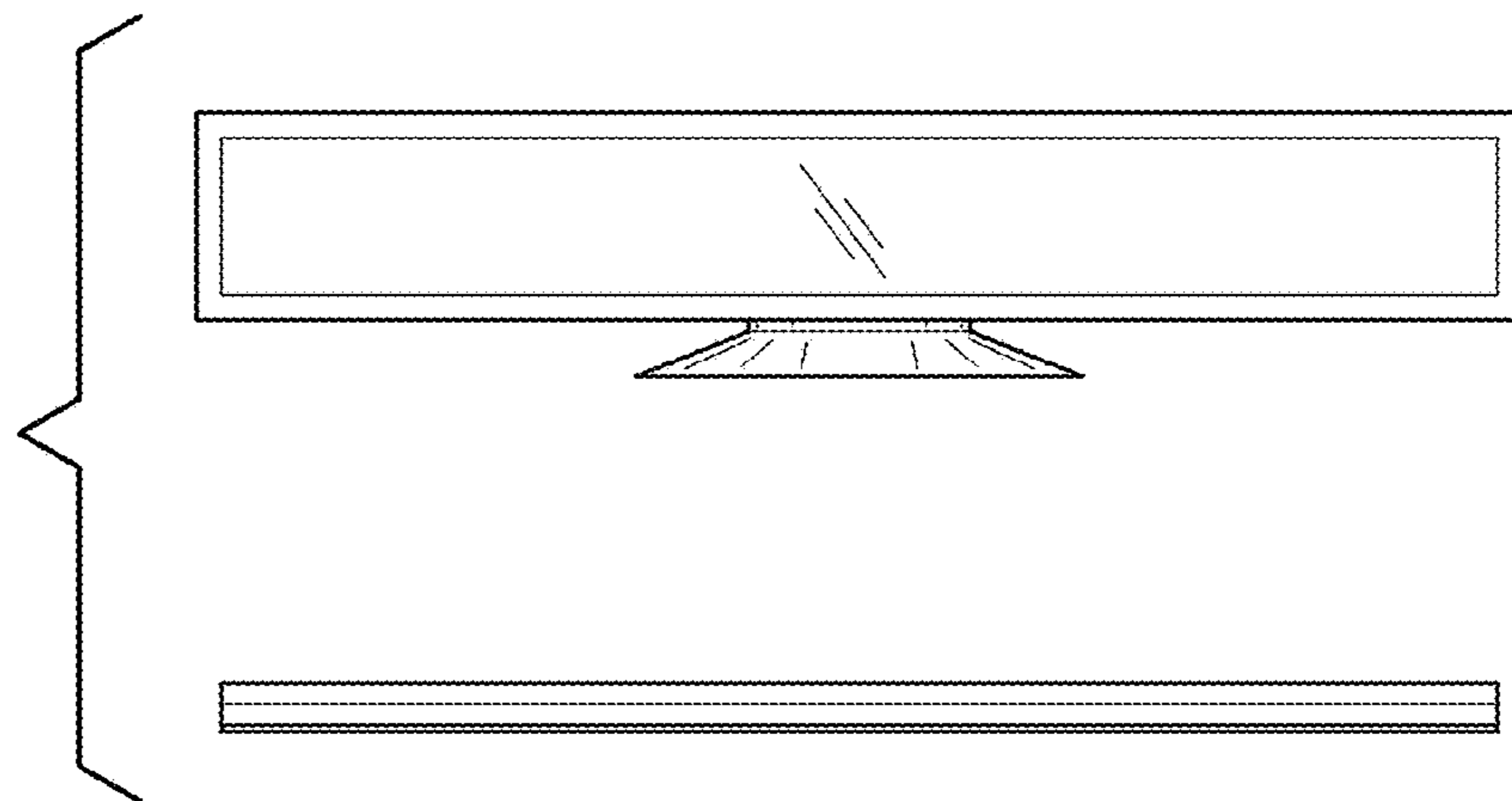


FIG. 6

