



US00D827707S

(12) **United States Design Patent**
Campanini

(10) **Patent No.:** **US D827,707 S**

(45) **Date of Patent:** **** Sep. 4, 2018**

- (54) **PRINTER**
- (71) Applicant: **Custom S.p.A.**, Fontevivo (IT)
- (72) Inventor: **Alberto Campanini**, Fidenza (IT)
- (73) Assignee: **Custom S.p.A.** (IT)
- (**) Term: **15 Years**
- (21) Appl. No.: **29/532,421**
- (22) Filed: **Jul. 7, 2015**
- (51) **LOC (11) Cl.** **18-02**
- (52) **U.S. Cl.**
USPC **D18/56**
- (58) **Field of Classification Search**
USPC D18/4.5, 12, 14, 18, 34.5, 40, 56, 34.9,
D18/99, 36, 37, 38, 39, 41, 44, 45, 46,
D18/47, 48, 49, 50, 51, 52, 53, 54, 55;
D14/483, 432, 434, 345, 346, 425, 462,
D14/463, 464, 465, 466, 467, 468, 469,
D14/470, 471, 301, 307, 129, 130, 299;
399/1-7, 16, 75, 81, 107, 130, 361, 355,
399/381-383, 388; 101/113; 358/1.1;
355/18, 23, 97; 400/613; 271/278, 226,
271/8.1, 3.14; D15/138, 199; 347/16,
347/17, 20, 85-87
CPC .. B41J 2/17513; B41J 2/1752; B41J 2/17553;
B41J 2/17559; B65B 3/027; B65B 3/045
See application file for complete search history.

- D655,730 S * 3/2012 Block D15/123
- 8,926,202 B2 * 1/2015 Nakada B41J 11/009
347/16
- D723,100 S * 2/2015 Minagawa D18/53
- D747,766 S * 1/2016 Cesar D18/53
- D751,637 S * 3/2016 Cesar D18/53
- D768,235 S * 10/2016 Ozawa D18/56
- 2015/0009266 A1 * 1/2015 Noto B41J 29/377
347/86
- 2015/0062266 A1 * 3/2015 Ono B41J 2/175
347/87
- 2015/0202878 A1 * 7/2015 Mokhamad B41J 2/17509
347/85
- 2016/0039212 A1 * 2/2016 Elferink B41J 25/001
347/20

* cited by examiner

Primary Examiner — Cynthia Ramirez

Assistant Examiner — Michael A Maharajh

(74) *Attorney, Agent, or Firm* — Laubscher, Spendlove & Laubscher, P.C.

(57) **CLAIM**

The ornamental design for a printer, as shown and described.

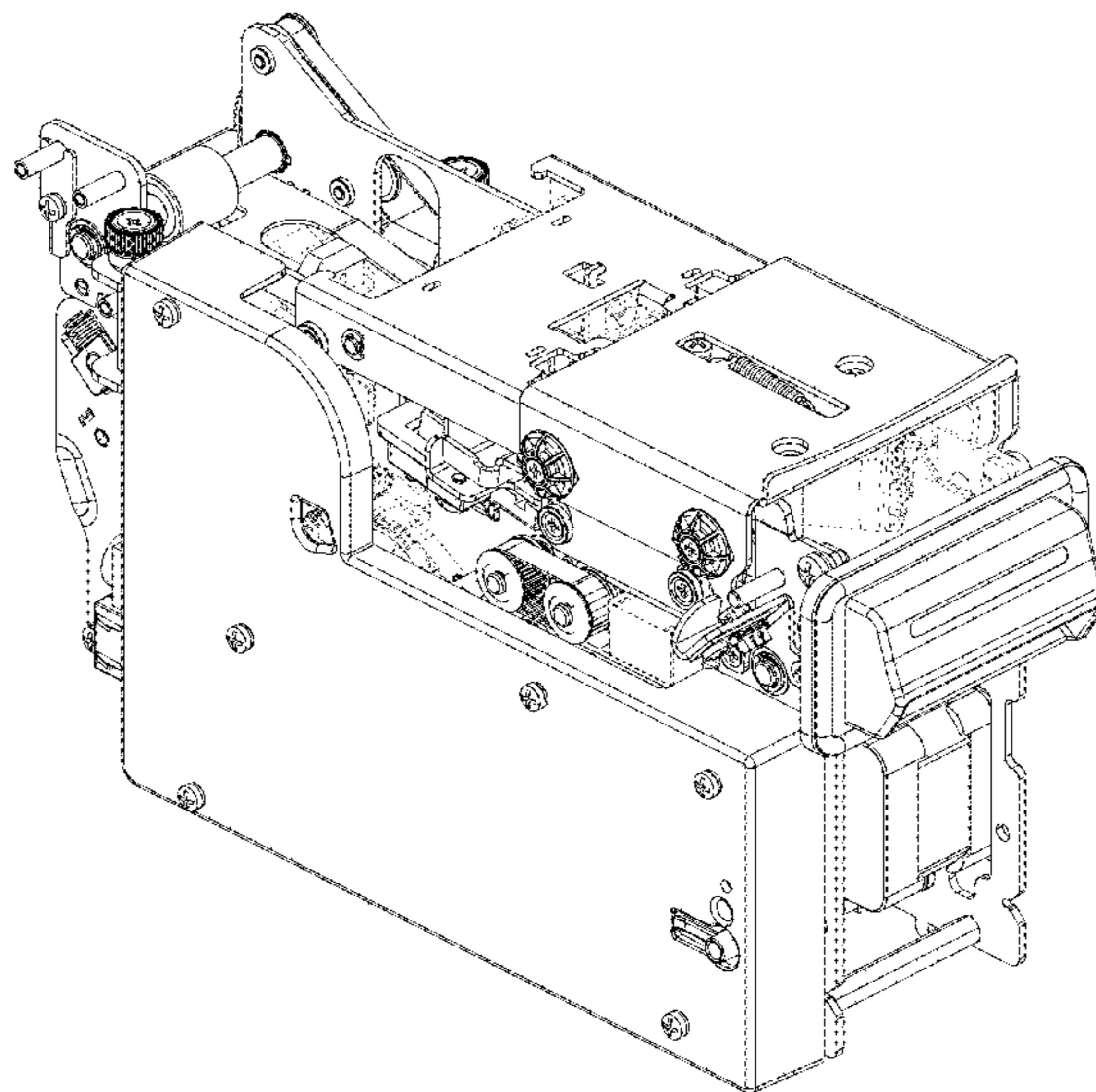
DESCRIPTION

FIG. 1 is a front perspective view of a printer showing my new design;
 FIG. 2 is a front elevation view thereof, shown in larger scale;
 FIG. 3 is a rear elevation view thereof, shown in larger scale;
 FIG. 4 is a top plan view thereof;
 FIG. 5 is a bottom plan view thereof;
 FIG. 6 is a left side elevation view thereof; and,
 FIG. 7 is a right side elevation view thereof.
 The broken lines in the drawings are for the purpose of illustrating portions of the printer, which form no part of the claimed design.

1 Claim, 7 Drawing Sheets

(56) **References Cited**
U.S. PATENT DOCUMENTS

- 4,135,808 A * 1/1979 Morrison G03B 27/625
271/245
- D363,735 S * 10/1995 Karafuji D18/53
- D562,377 S * 2/2008 Kuroda D18/3.1
- D643,463 S * 8/2011 Sakurai D18/53



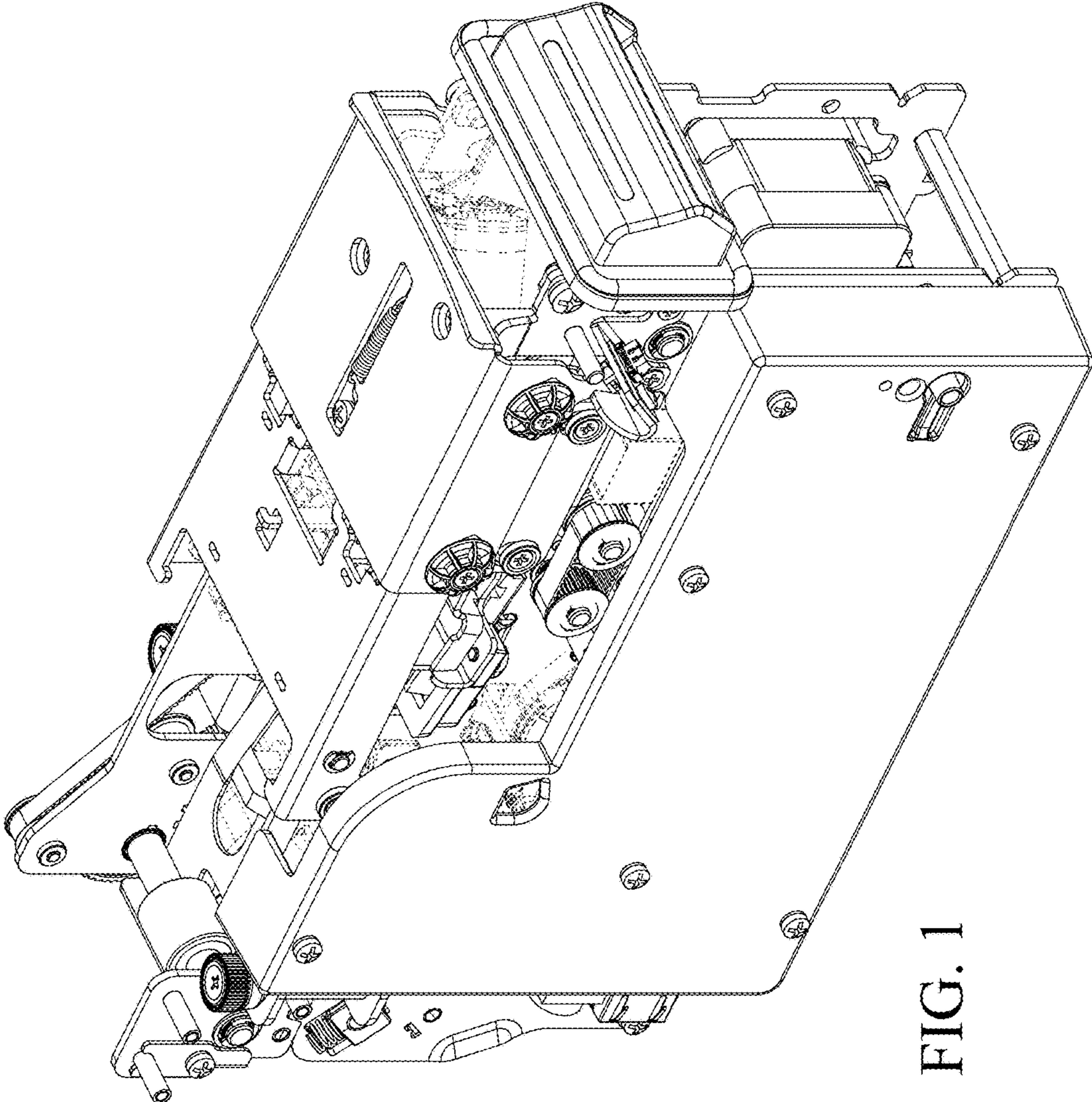


FIG. 1

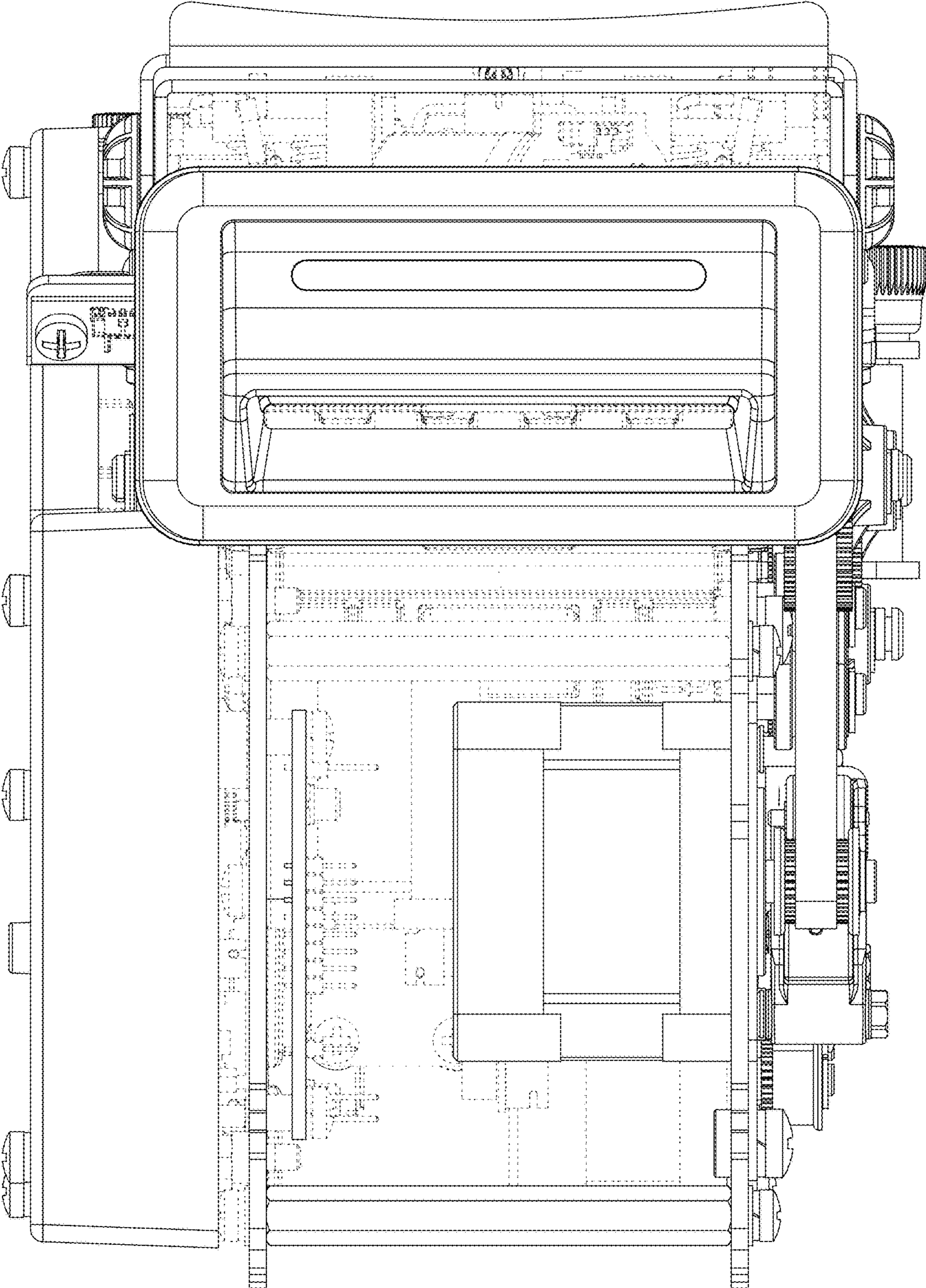


FIG. 2

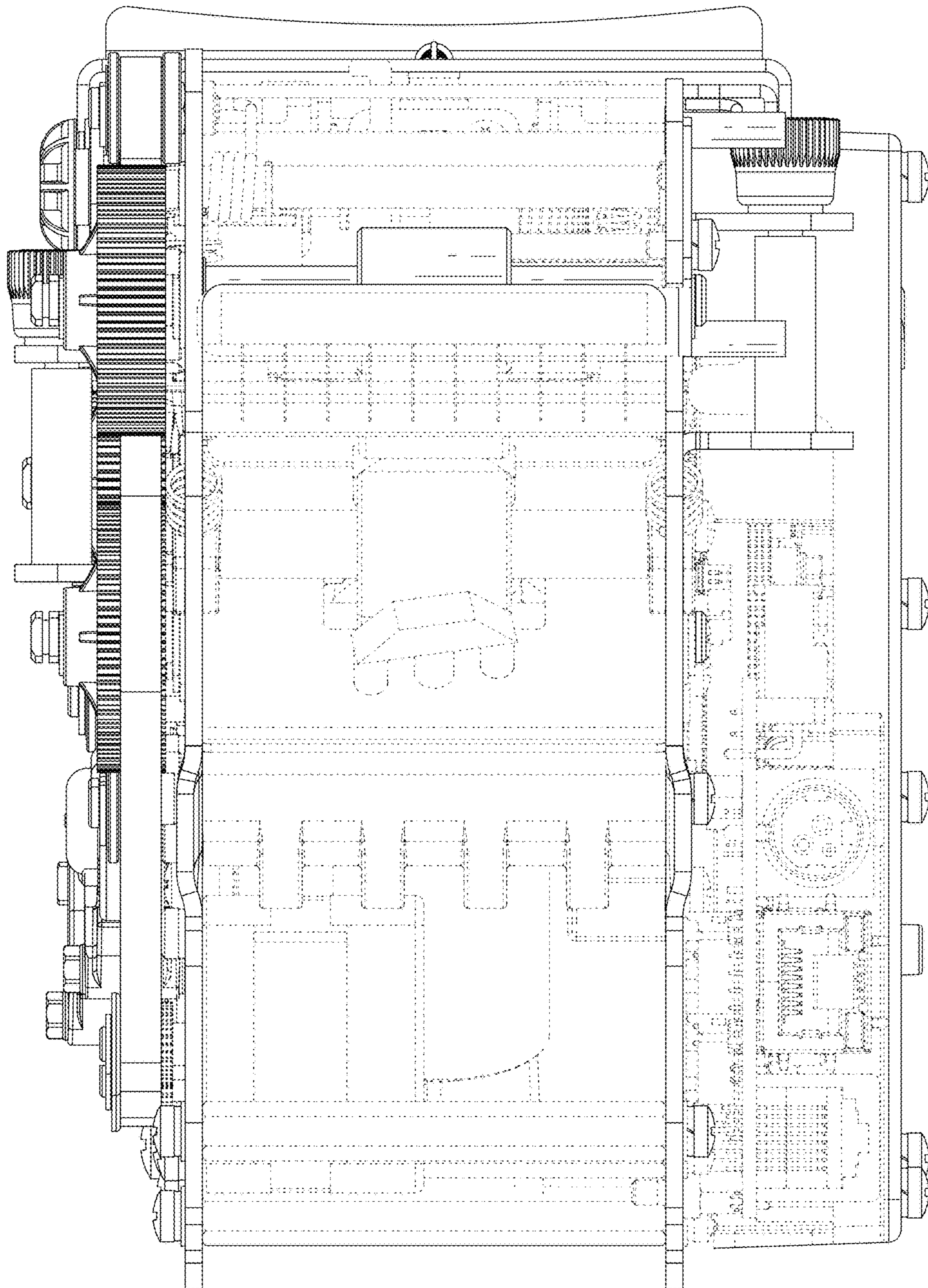


FIG. 3

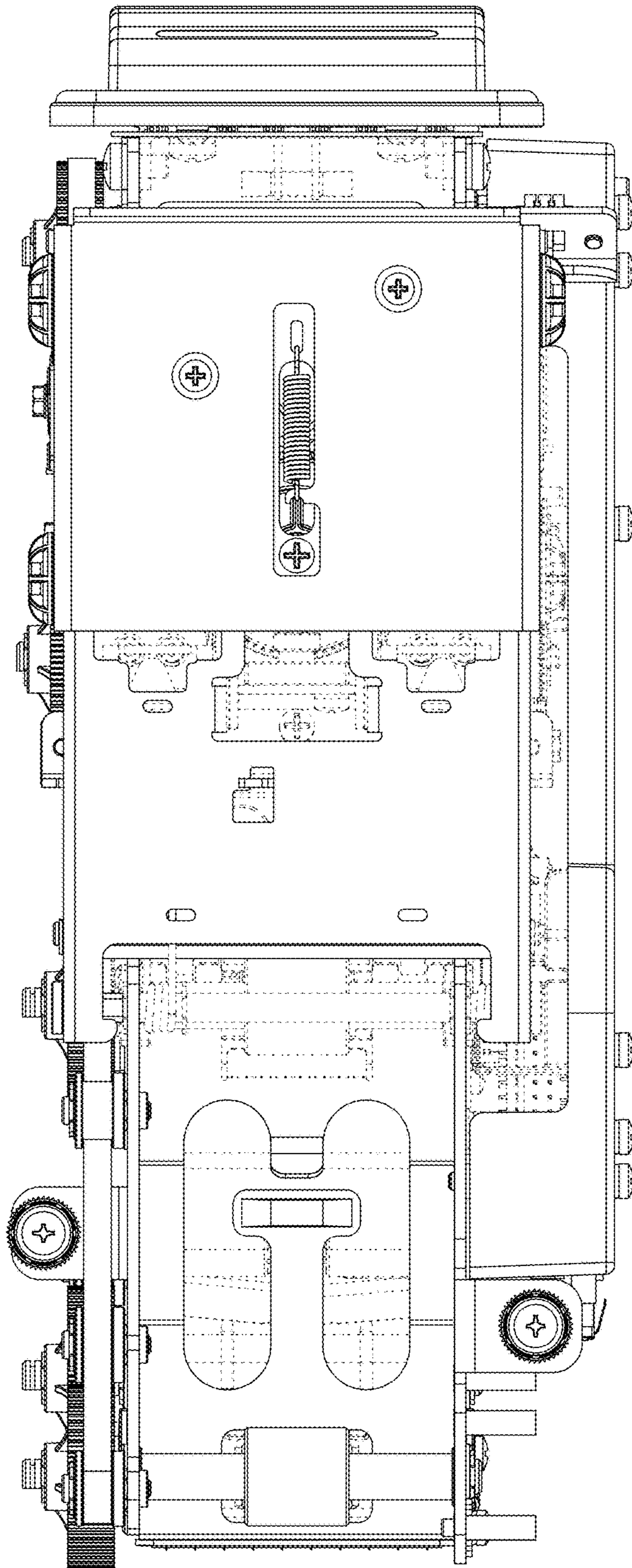


FIG. 4

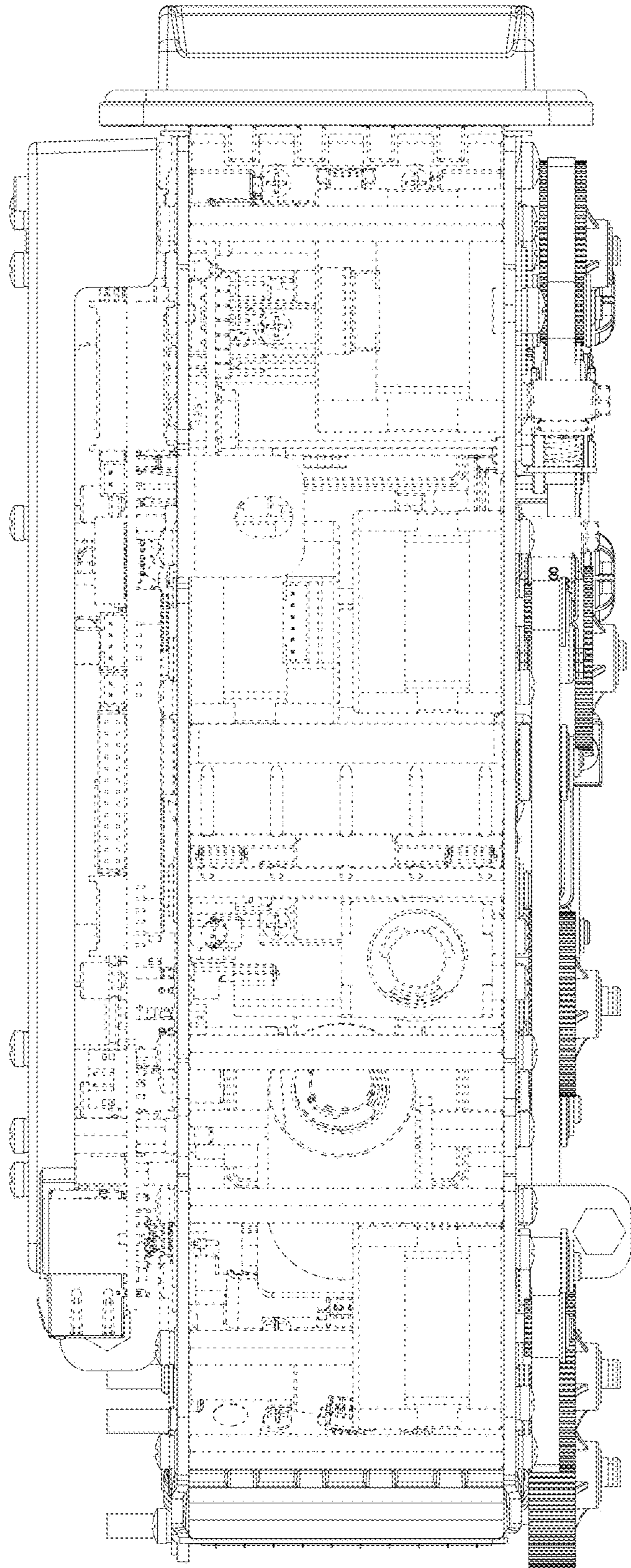


FIG. 5

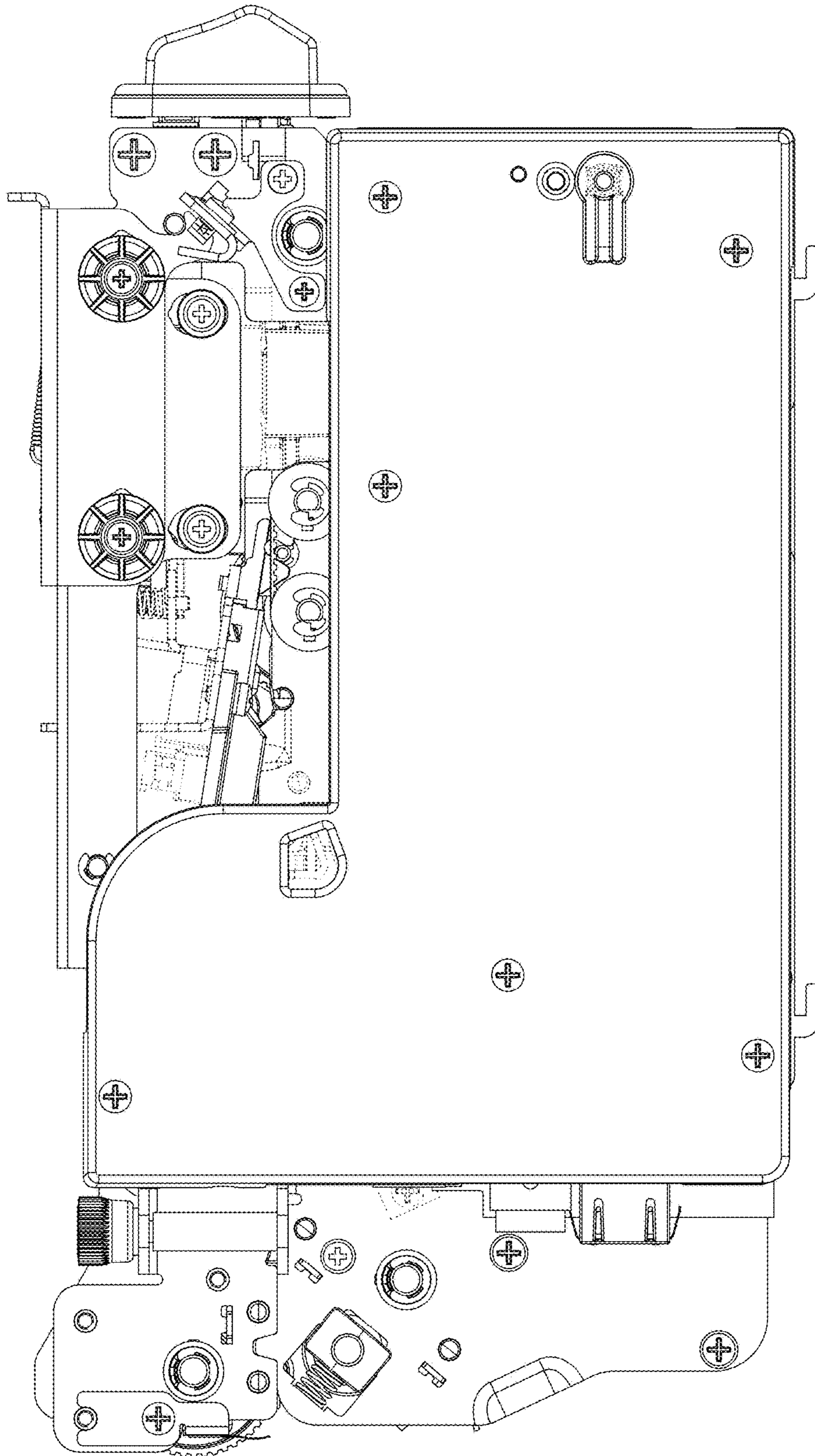


FIG. 6

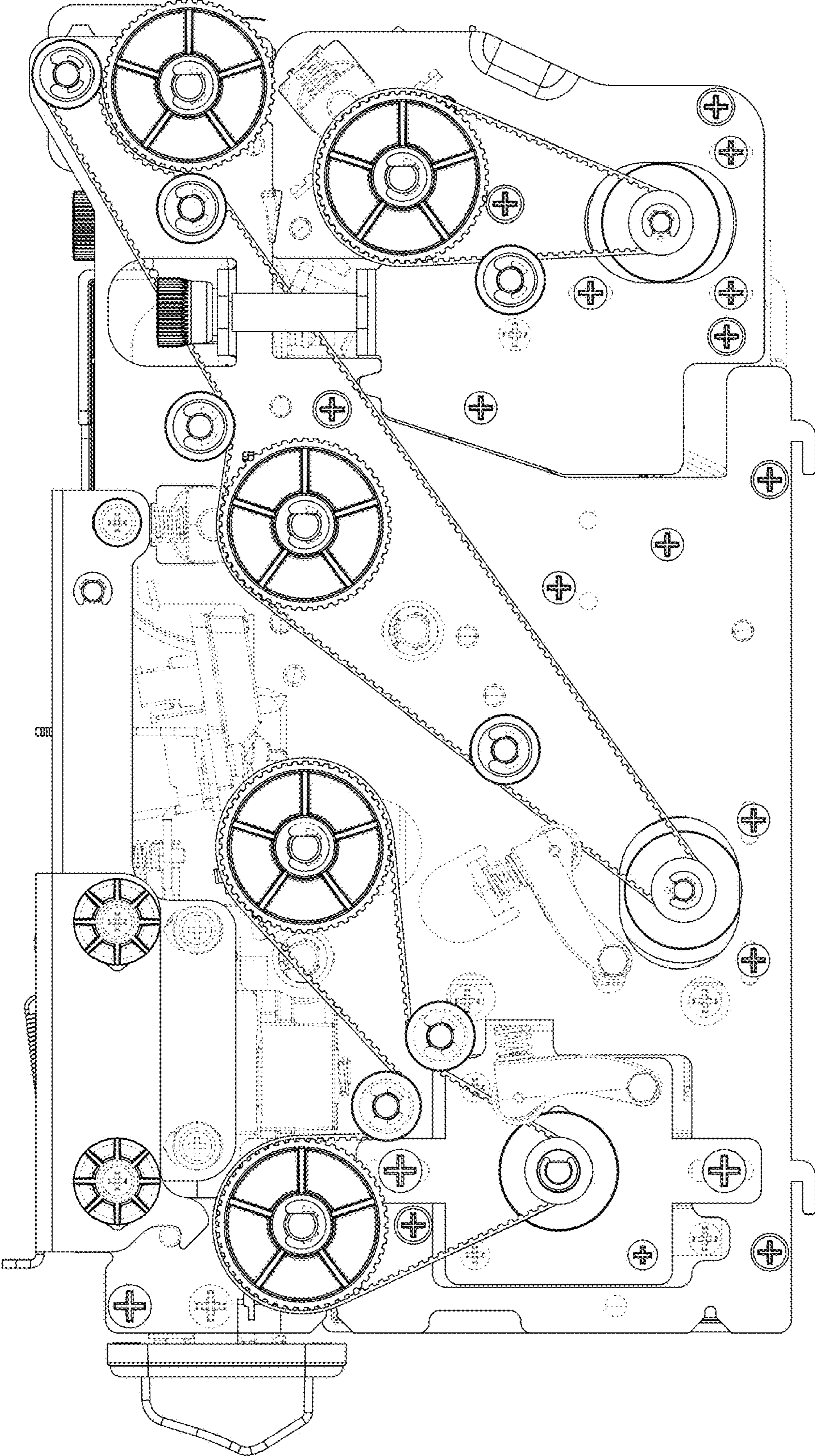


FIG. 7