



US00D827705S

(12) **United States Design Patent**
Gosselin et al.

(10) **Patent No.:** **US D827,705 S**

(45) **Date of Patent:** **** Sep. 4, 2018**

(54) **DESKTOP LASER CUTTER**

(71) Applicant: **Glowforge Inc.**, Seattle, WA (US)

(72) Inventors: **Mark Gosselin**, Seattle, WA (US);
Anna-Pia Slothower, Sausalito, CA (US);
Erich Slothower, Sausalito, CA (US);
John Plunkett, Sausalito, CA (US)

(73) Assignee: **Glowforge Inc.**, Seattle, WA (US)

(**) Term: **15 Years**

(21) Appl. No.: **29/540,496**

(22) Filed: **Sep. 24, 2015**

(51) **LOC (11) Cl.** **18-04**

(52) **U.S. Cl.**
USPC **D18/34.3**; D18/50; D18/55

(58) **Field of Classification Search**
USPC D18/36, 43, 39, 46, 47, 34.3, 50, 55, 56
CPC G03G 15/0836; G03G 15/0837; G03G
15/0867; G03G 15/0832; G03G 15/0834;
G03G 15/0877; G03G 15/0868; G03G
15/50; G03G 15/0872; G03G 15/0898;
G03G 15/5016; G03G 15/60; G03G
15/65

See application file for complete search history.

(56) **References Cited**

U.S. PATENT DOCUMENTS

D197,096 S 12/1963 Gugelot
D281,247 S * 11/1985 Lahey D18/55
(Continued)

OTHER PUBLICATIONS

YouTube—Meet the Glowforge, announced Sep. 24, 2015 [online],
[site visited Jul. 24, 2017]. Available from internet, URL: <<https://www.youtube.com/watch?v=0R3mMUshFvU>>.*

(Continued)

Primary Examiner — Keli L Hill

Assistant Examiner — Karra S Johnson

(74) *Attorney, Agent, or Firm* — Mintz Levin Cohn Ferris
Glovsky and Popeo, P.C.

(57) **CLAIM**

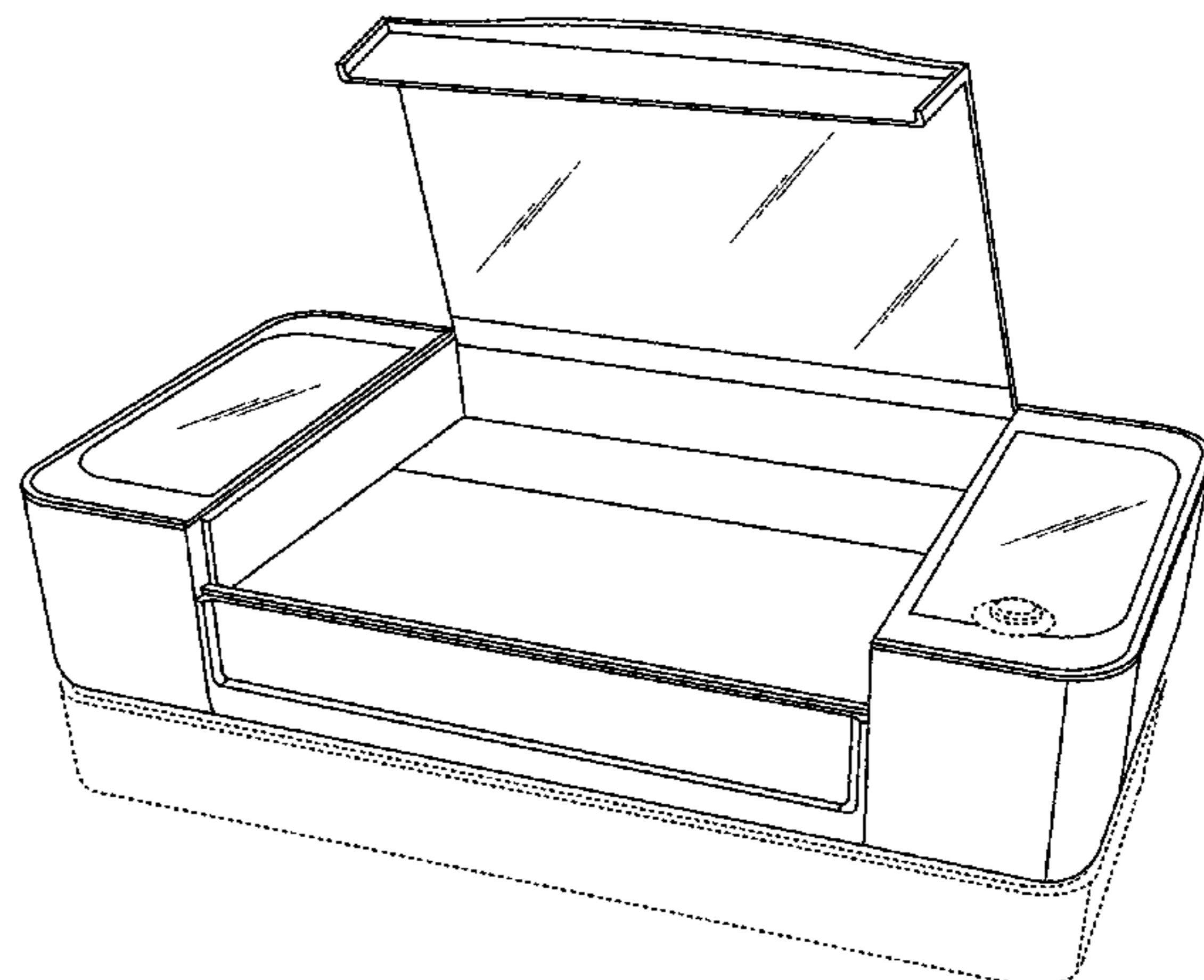
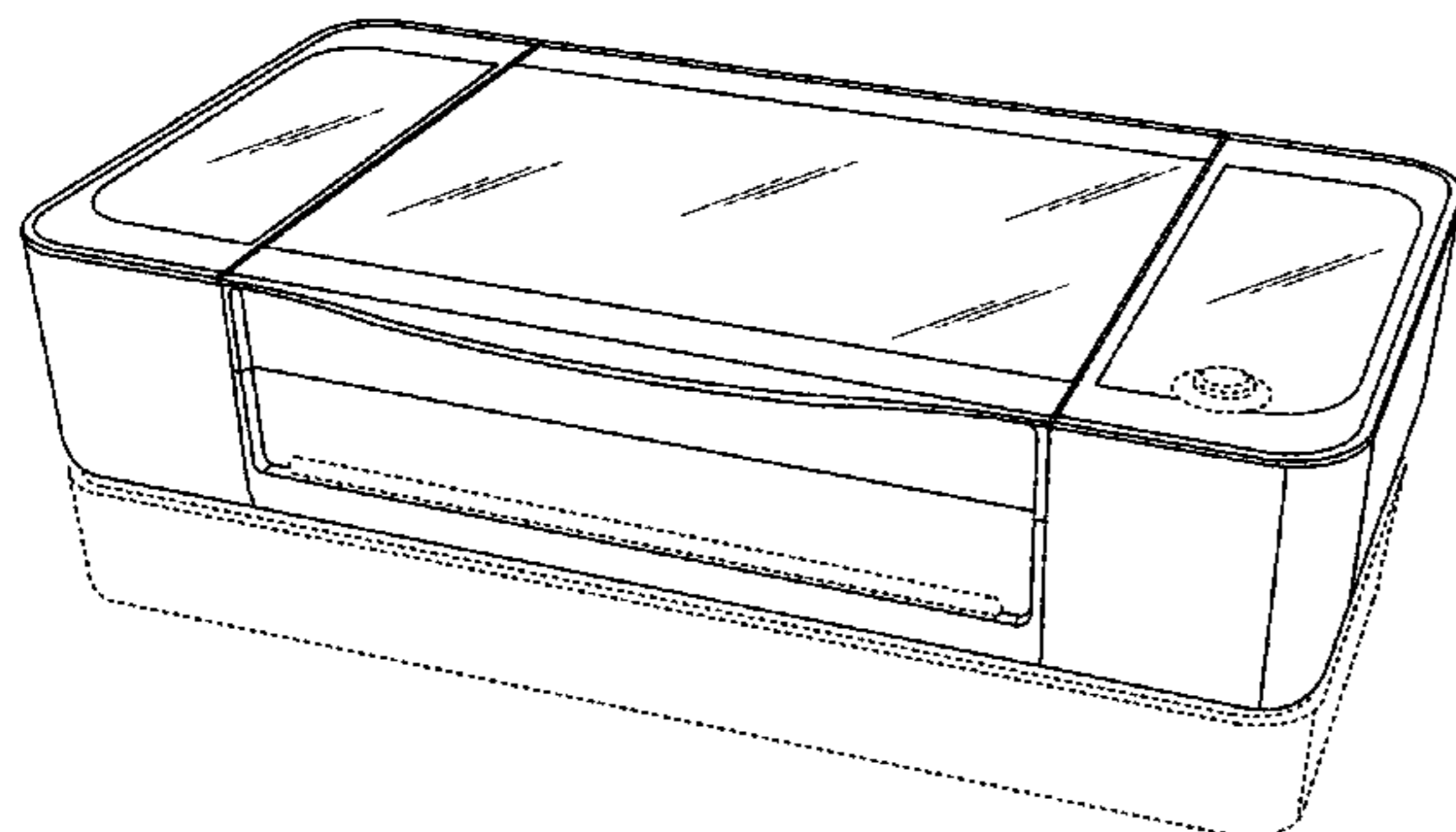
The ornamental design for a desktop laser cutter, as shown
and described.

DESCRIPTION

FIG. 1 is a top-left perspective view of a desktop laser cutter,
illustrating a laser cutter forming part of the desktop laser
cutter, showing the new design;
FIG. 2 is a right side elevational view of the laser cutter of
FIG. 1;
FIG. 3 is a left side elevational view of the laser cutter of
FIG. 1;
FIG. 4 is a front elevational view of the laser cutter of FIG.
1;
FIG. 5 is a rear elevational view of the laser cutter of FIG.
1;
FIG. 6 is a top plan view of the laser cutter of FIG. 1;
FIG. 7 is a bottom plan view of the laser cutter of FIG. 1;
FIG. 8 is a top-left perspective view of the desktop laser
cutter of FIG. 1, illustrating a lid in an open position;
FIG. 9 is a right side elevational view of the desktop laser
cutter of FIG. 8;
FIG. 10 is a left side elevational view of the desktop laser
cutter of FIG. 8;
FIG. 11 is a front elevational view of the desktop laser cutter
of FIG. 8;
FIG. 12 is a rear elevational view of the desktop laser cutter
of FIG. 8;
FIG. 13 is a top plan view of the desktop laser cutter of FIG.
8; and,
FIG. 14 is a bottom plan view of the desktop laser cutter of
FIG. 8.

The broken lines in the drawings illustrate environment and
portions of the desktop laser cutter, which form no part of
the claimed design in the corresponding drawings.

1 Claim, 14 Drawing Sheets



(56)

References Cited

U.S. PATENT DOCUMENTS

D286,639 S * 11/1986 Strand D18/55
 4,723,857 A * 2/1988 Yokoi B41J 29/08
 400/352
 D295,186 S * 4/1988 Hadtke D18/54
 D336,918 S * 6/1993 Yonezawa D18/55
 D413,919 S * 9/1999 Kobayashi D18/54
 D439,608 S * 3/2001 Gasset D18/55
 D462,087 S * 8/2002 Dwyer D18/55
 D468,765 S * 1/2003 Kobayashi D18/55
 D489,754 S * 5/2004 Akahane D18/55
 D491,220 S * 6/2004 Whitehorn D18/50
 D501,503 S * 2/2005 Leong D18/55
 D519,151 S * 4/2006 Tashiro D18/54
 D523,841 S * 6/2006 Van Kastel
 D536,373 S * 2/2007 Inoue D18/55
 D544,907 S * 6/2007 Tjin Wong Joe D18/55
 D552,167 S * 10/2007 Lee D18/50
 D558,266 S * 12/2007 Falk D18/55
 D558,822 S * 1/2008 Smith D18/55
 D585,427 S * 1/2009 Lee et al.
 D600,745 S * 9/2009 Inoue D18/55
 D603,894 S * 11/2009 Yamano D18/55
 D607,506 S * 1/2010 Kim D18/55
 D610,589 S * 2/2010 Chia D14/168
 D614,234 S * 4/2010 Ishikawa et al.
 7,784,782 B2 * 8/2010 Cook B41J 13/103
 271/145
 D641,395 S * 7/2011 Park et al.
 D661,346 S * 6/2012 Suzuki D18/55
 D665,445 S * 8/2012 Emmenegger D14/425
 D667,050 S * 9/2012 Takeuchi D18/50
 D669,473 S * 10/2012 Gronau et al.
 D674,010 S * 1/2013 Nanno D18/55
 D681,107 S * 4/2013 Larson D14/420
 D682,329 S * 5/2013 Day et al.
 D699,726 S * 2/2014 Seki D14/422
 D706,269 S * 6/2014 Qian D14/422
 8,909,085 B2 * 12/2014 Short et al.
 D723,562 S * 3/2015 Inada D14/422
 D727,328 S * 4/2015 Nanno et al.
 D730,942 S * 6/2015 Wong
 D735,723 S * 8/2015 He et al.
 D744,031 S * 11/2015 Tanaka D18/50
 9,278,553 B2 * 3/2016 Nakano B41J 13/106
 9,301,031 B2 * 3/2016 Gengler H04R 1/00

D754,787 S * 4/2016 Yoshioka D18/50
 D757,164 S * 5/2016 Hiraga D18/50
 9,332,667 B2 * 5/2016 Namba H05K 7/14
 D761,903 S * 7/2016 Matsumoto D18/50
 D765,772 S * 9/2016 Clark, III D18/55
 D766,359 S * 9/2016 Takahashi D18/50
 D768,768 S * 10/2016 Takahashi
 D770,565 S * 11/2016 Tanaka et al.
 D777,248 S * 1/2017 Oguchi et al.
 D781,955 S * 3/2017 Kim et al.
 D786,348 S * 5/2017 Mita et al.
 D786,964 S * 5/2017 Clark, III D18/50
 D792,508 S * 7/2017 Nakagawa et al.
 D795,338 S * 8/2017 Umezawa et al.
 9,771,233 B2 * 9/2017 Miura et al.
 D799,590 S * 10/2017 Dwyer
 D799,593 S * 10/2017 Kim et al.
 D800,212 S * 10/2017 Nanno et al.
 D809,593 S * 2/2018 Tashima D18/50
 2003/0180058 A1 * 9/2003 Alegria B41J 29/02
 399/9
 2009/0310997 A1 * 12/2009 Lee G03G 15/5016
 399/70
 2011/0019347 A1 * 1/2011 Imai G03G 21/1628
 361/679.01
 2013/0108317 A1 * 5/2013 Tsuchiya H04N 1/0035
 399/110

OTHER PUBLICATIONS

YouTube—Full Spectrum Muse Hobby Laser, announced May 6, 2017 [online], [site visited Jul. 24, 2017]. Available from internet, URL: <<https://www.youtube.com/watch?v=SEF6k-ZsI5A>>.*
 YouTube—Epilog Mini 18 laser engraver, announced Mar. 1, 2015 [online], [site visited Jul. 24, 2017]. Available from internet, URL: <https://www.youtube.com/watch?v=EcyPL_3J8Mc>.*
 YouTube—Full Spectrum Laser Pro Series CO2, announced Jun. 28, 2016 [online], [site visited Jul. 24, 2017]. Available from Internet, URL: <<https://www.youtube.com/watch?v=gJthUfZHA0w>>.*
 Mike Shouts—Laser Cutter, announced Sep. 25, 2017 [online], [site visited Oct. 24, 2017]. Available from internet, URL: <<https://mikesounds.com/the-dremel-digilab-laser-cutter/>>. 3 pages.
 YouTube—Mr Beam’s laser cutter, announced May 8, 2017 [online], [site visited Oct. 24, 2017]. Available from internet, URL: <<https://www.youtube.com/watch?v=8goXAmSncZE>>. 1 page.

* cited by examiner

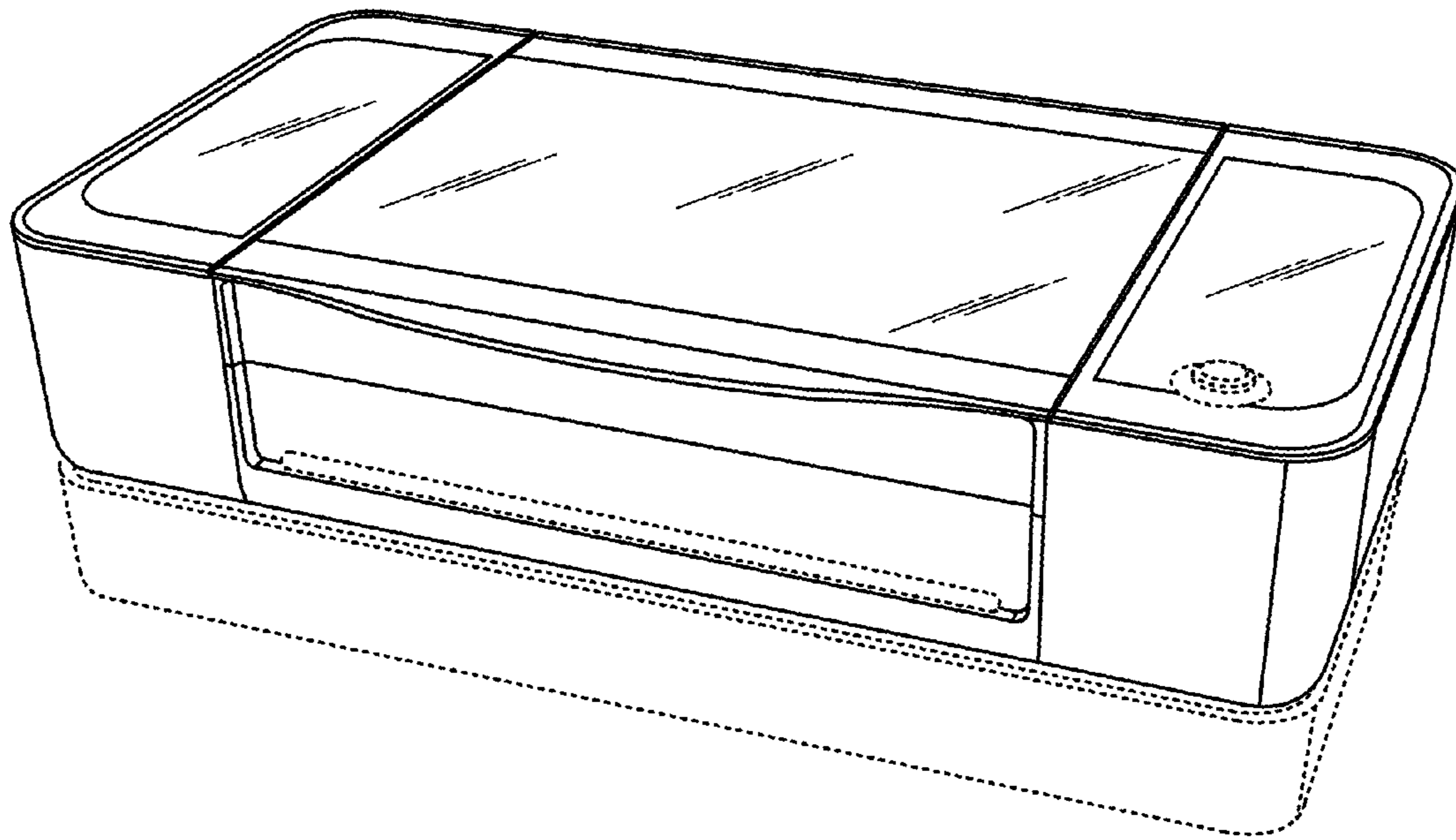


FIG. 1

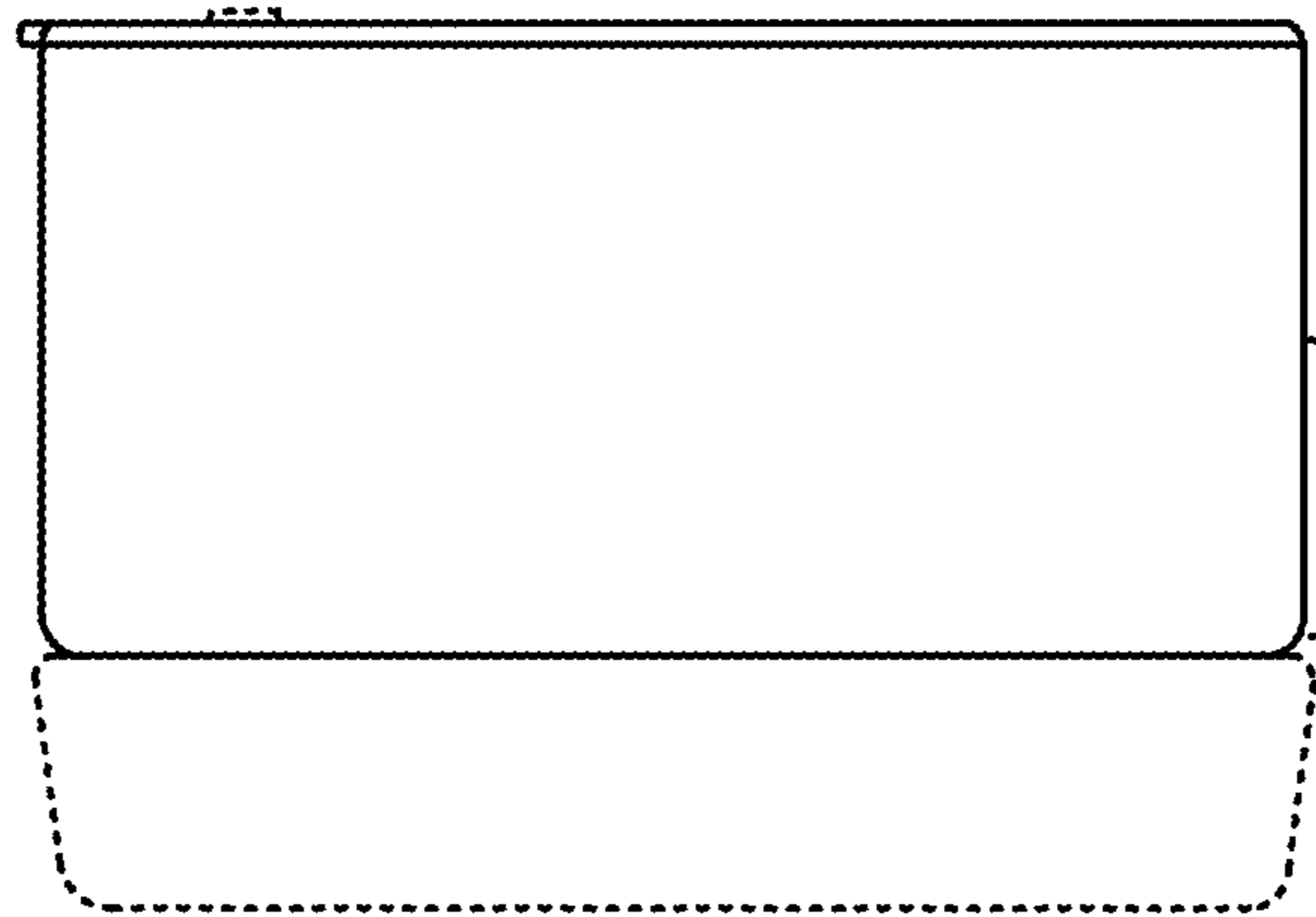


FIG. 2

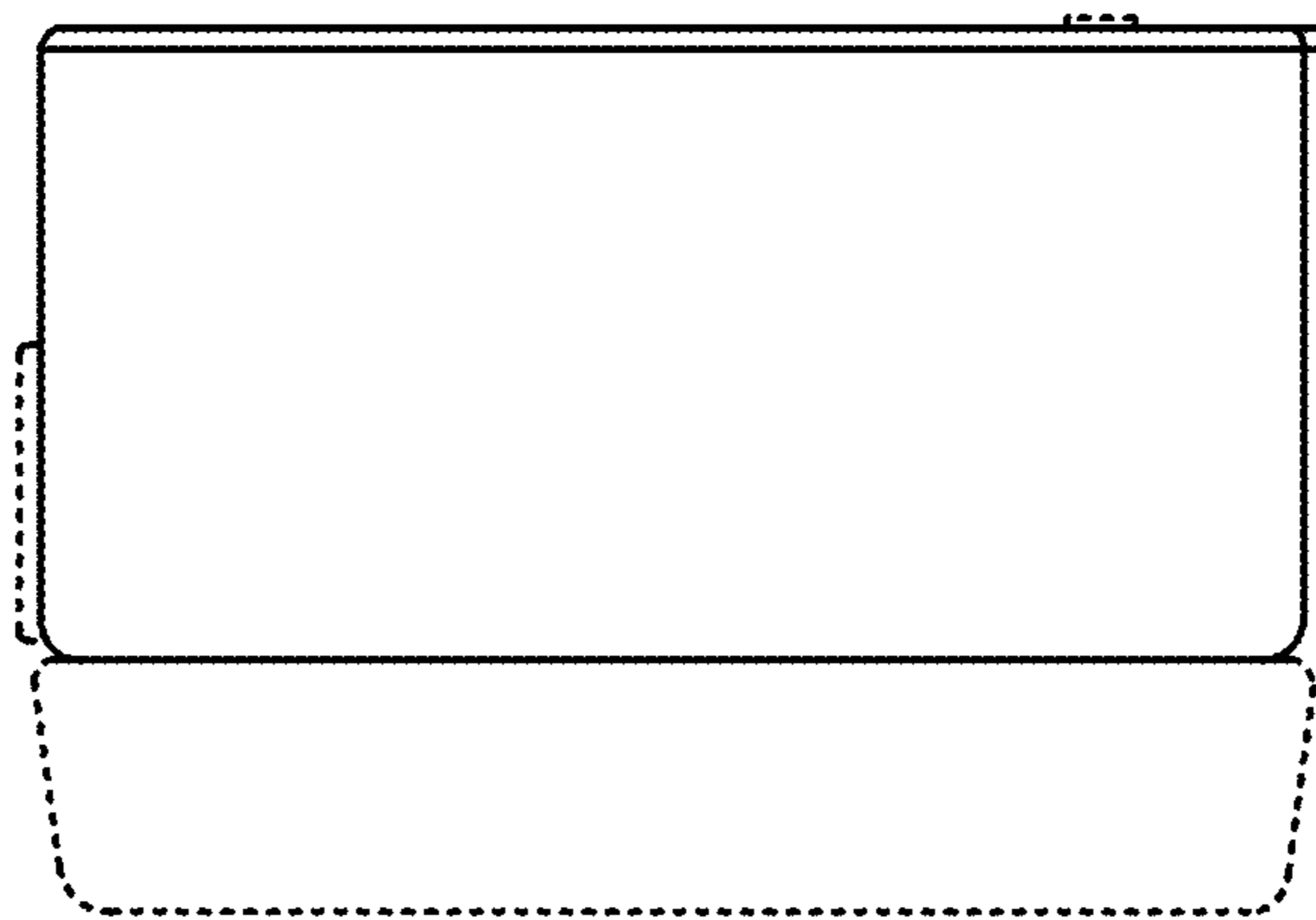


FIG. 3

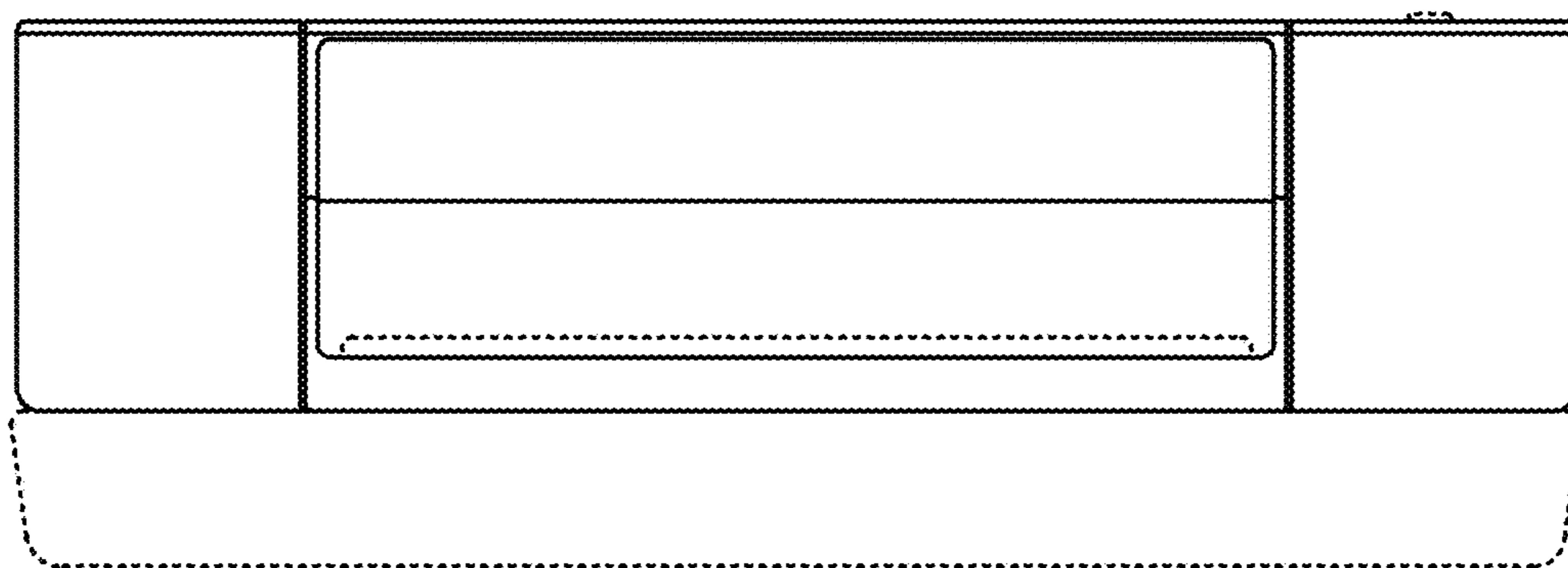


FIG. 4

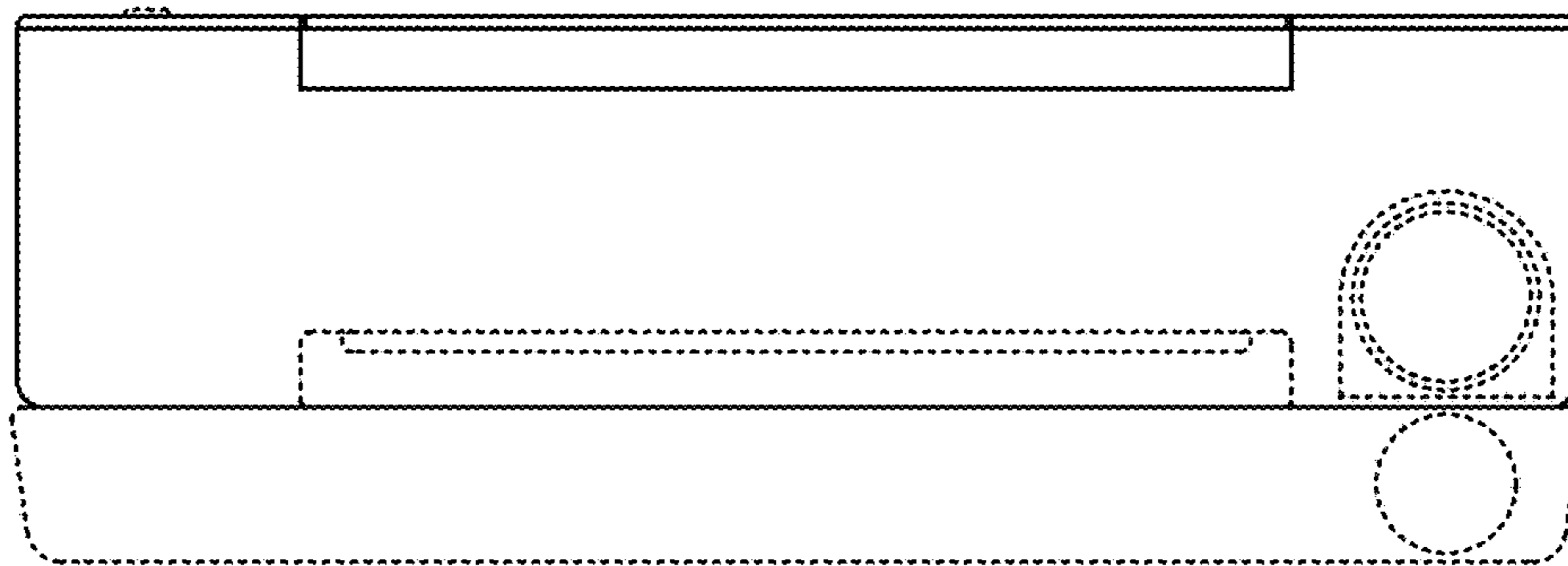


FIG. 5

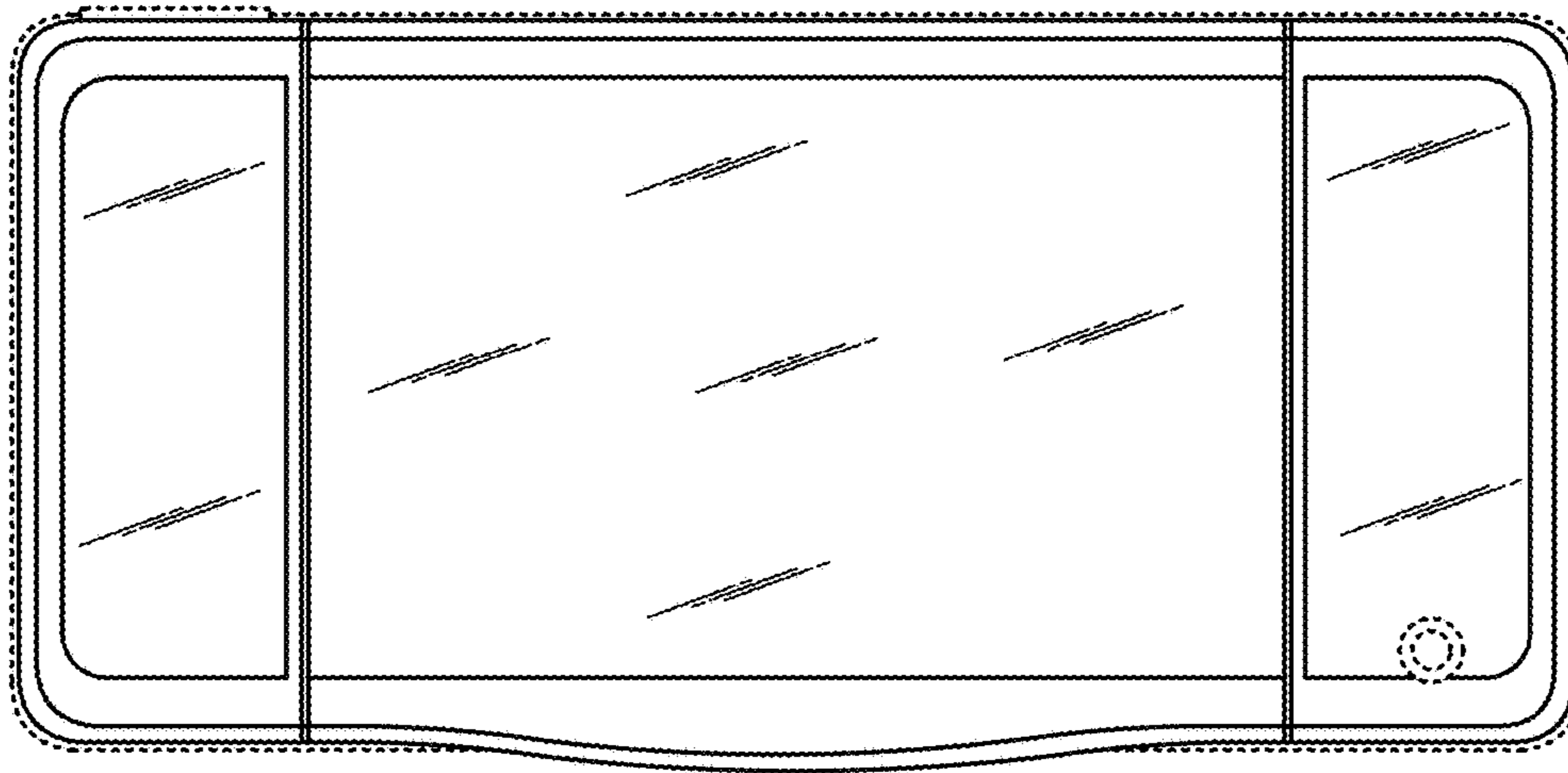


FIG. 6

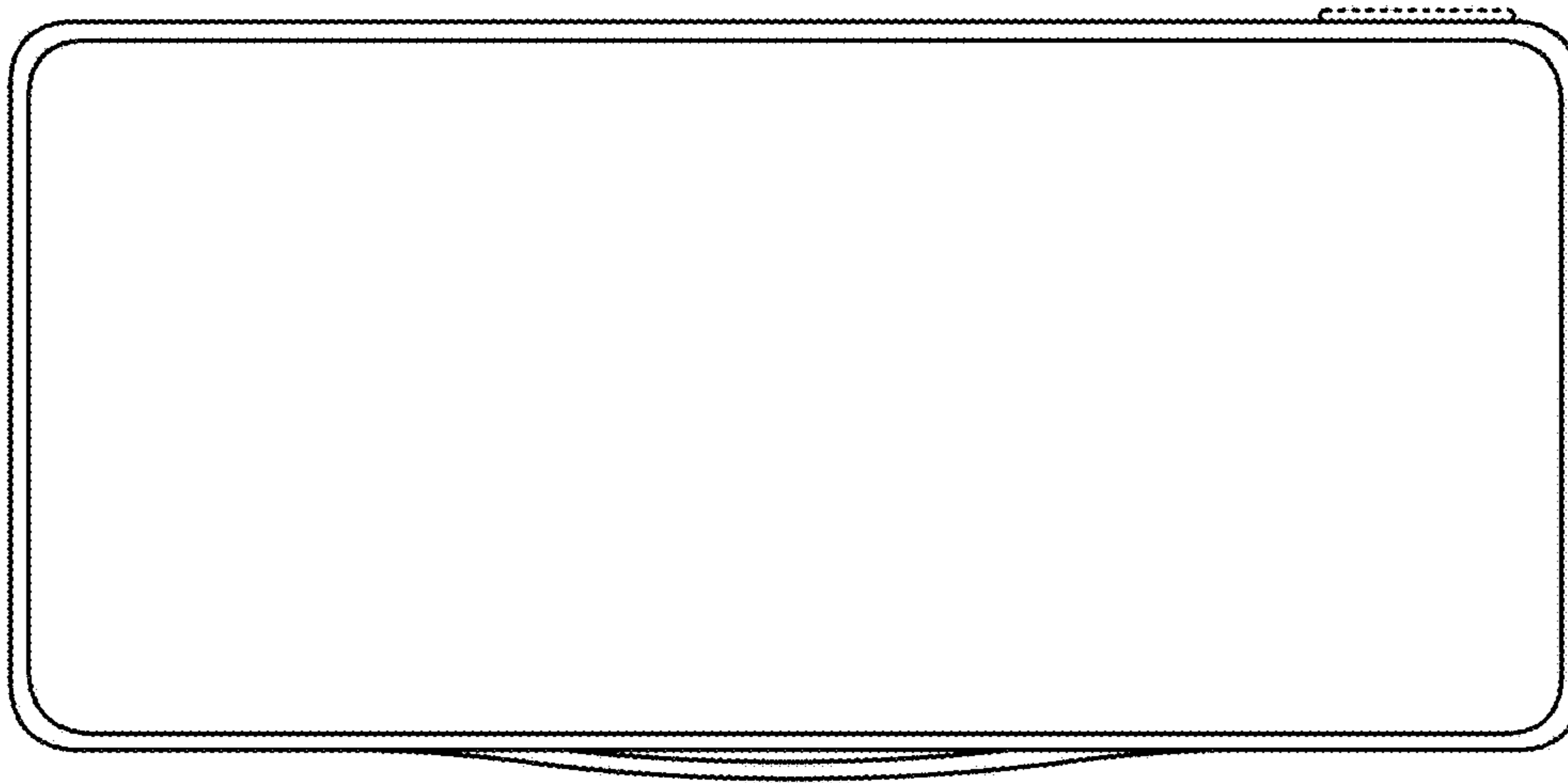


FIG. 7

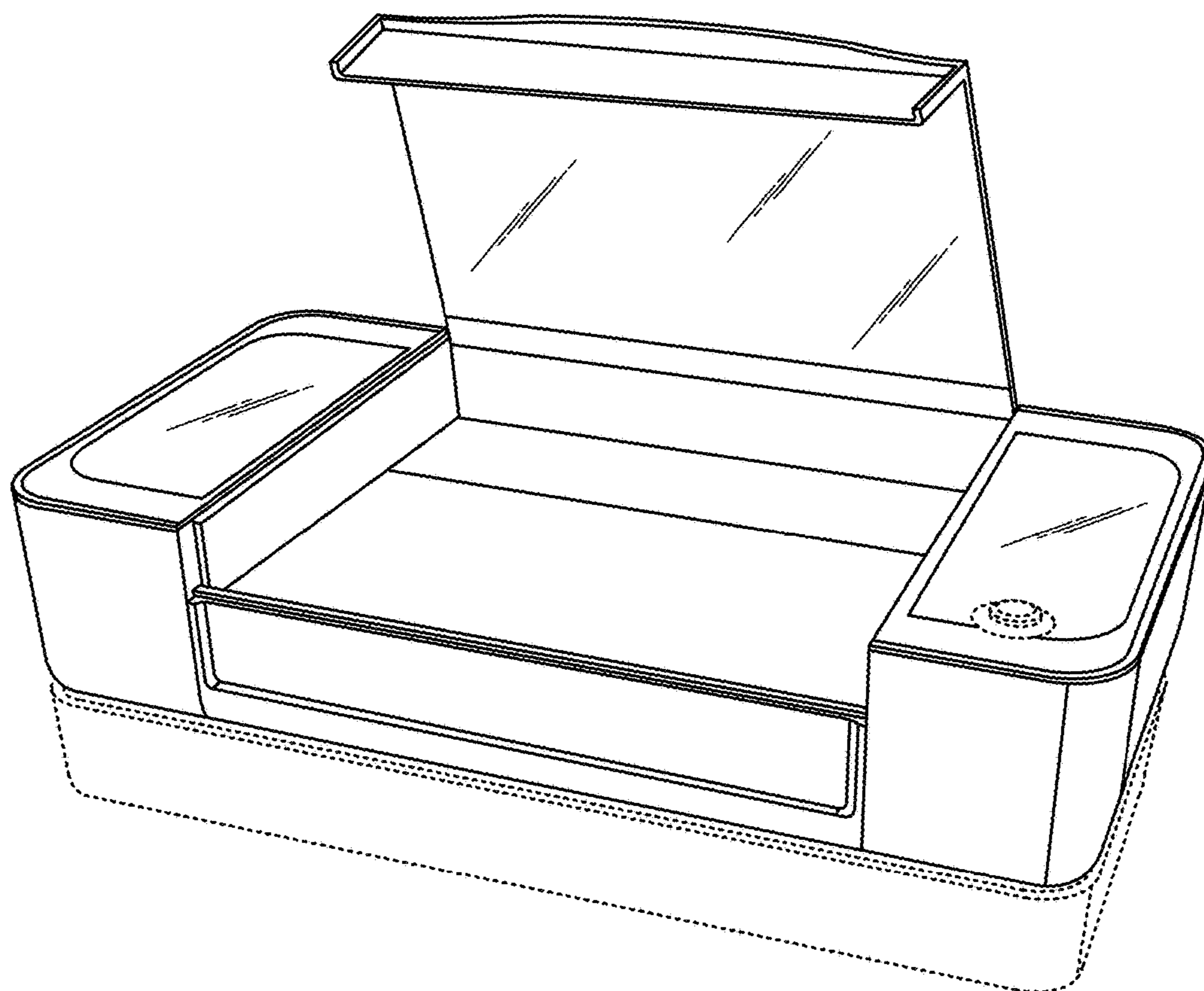


FIG. 8

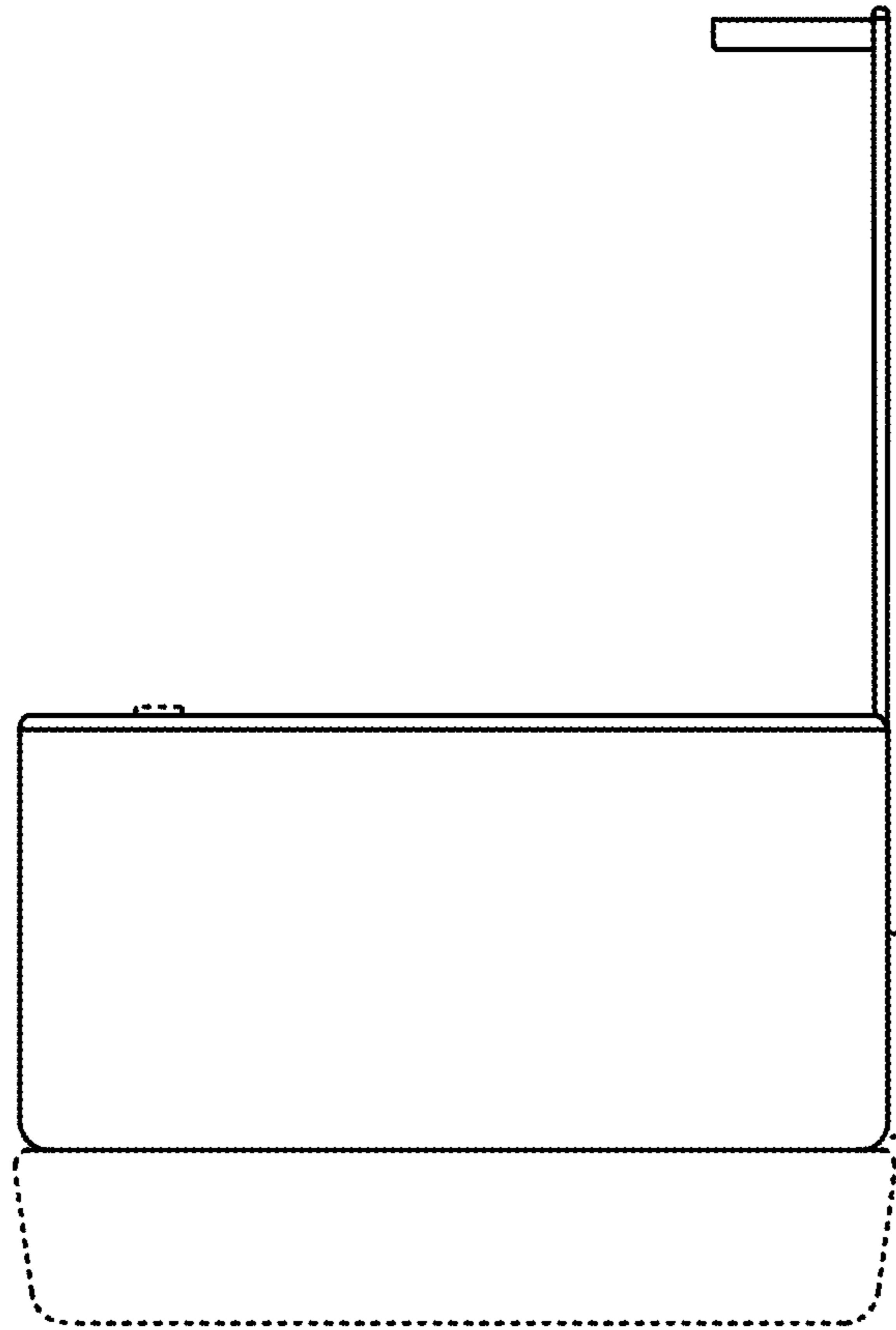


FIG. 9

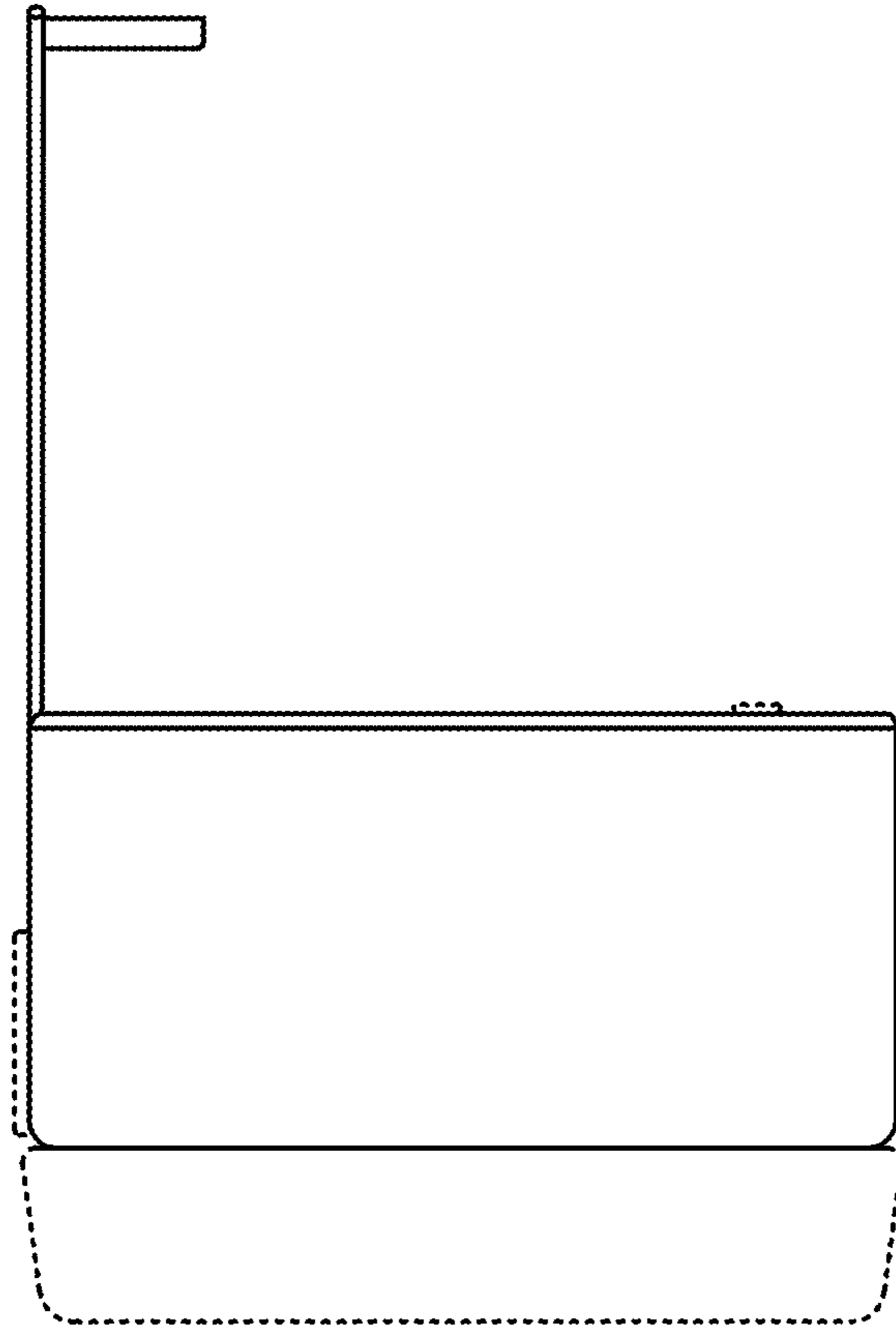


FIG. 10

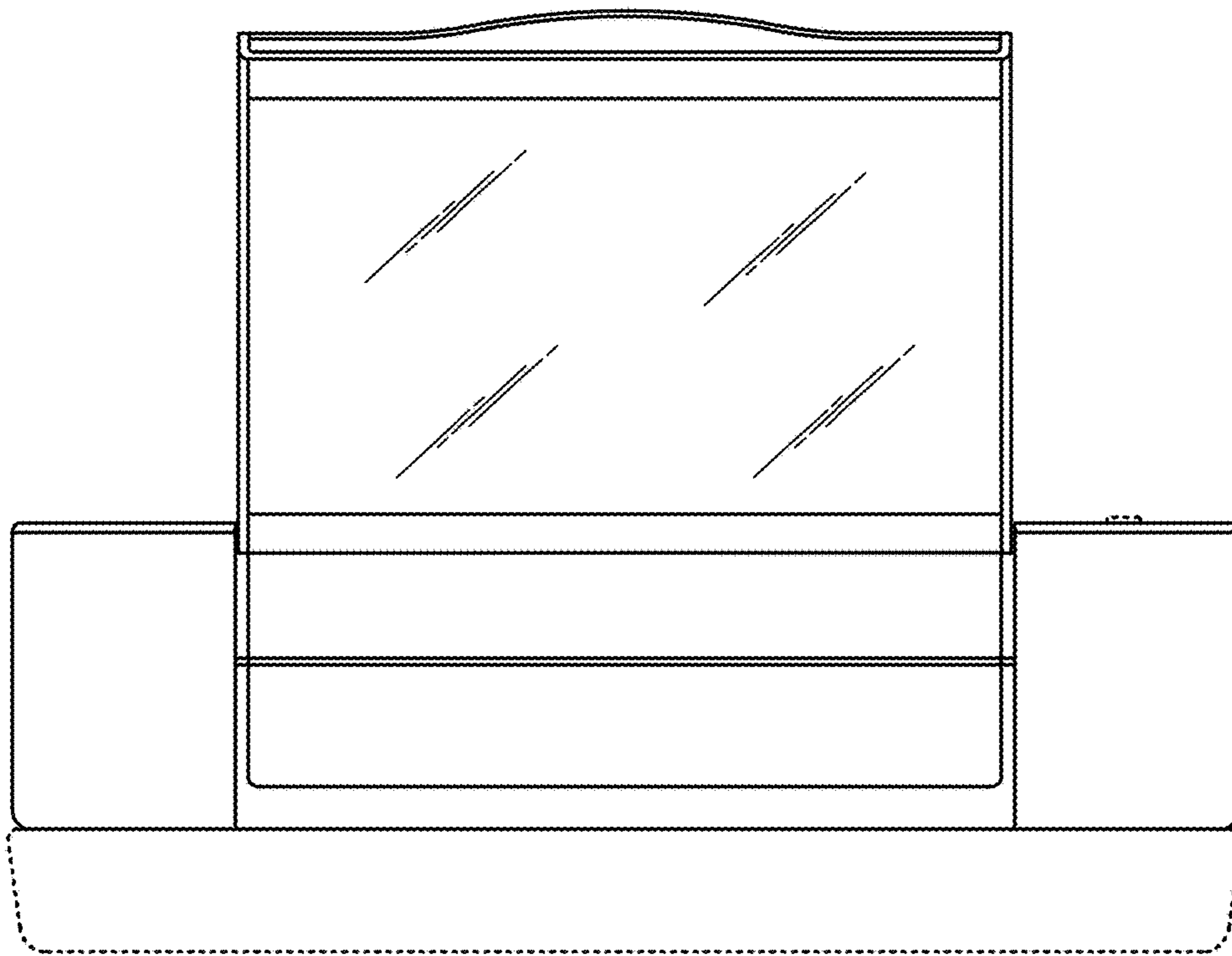


FIG. 11

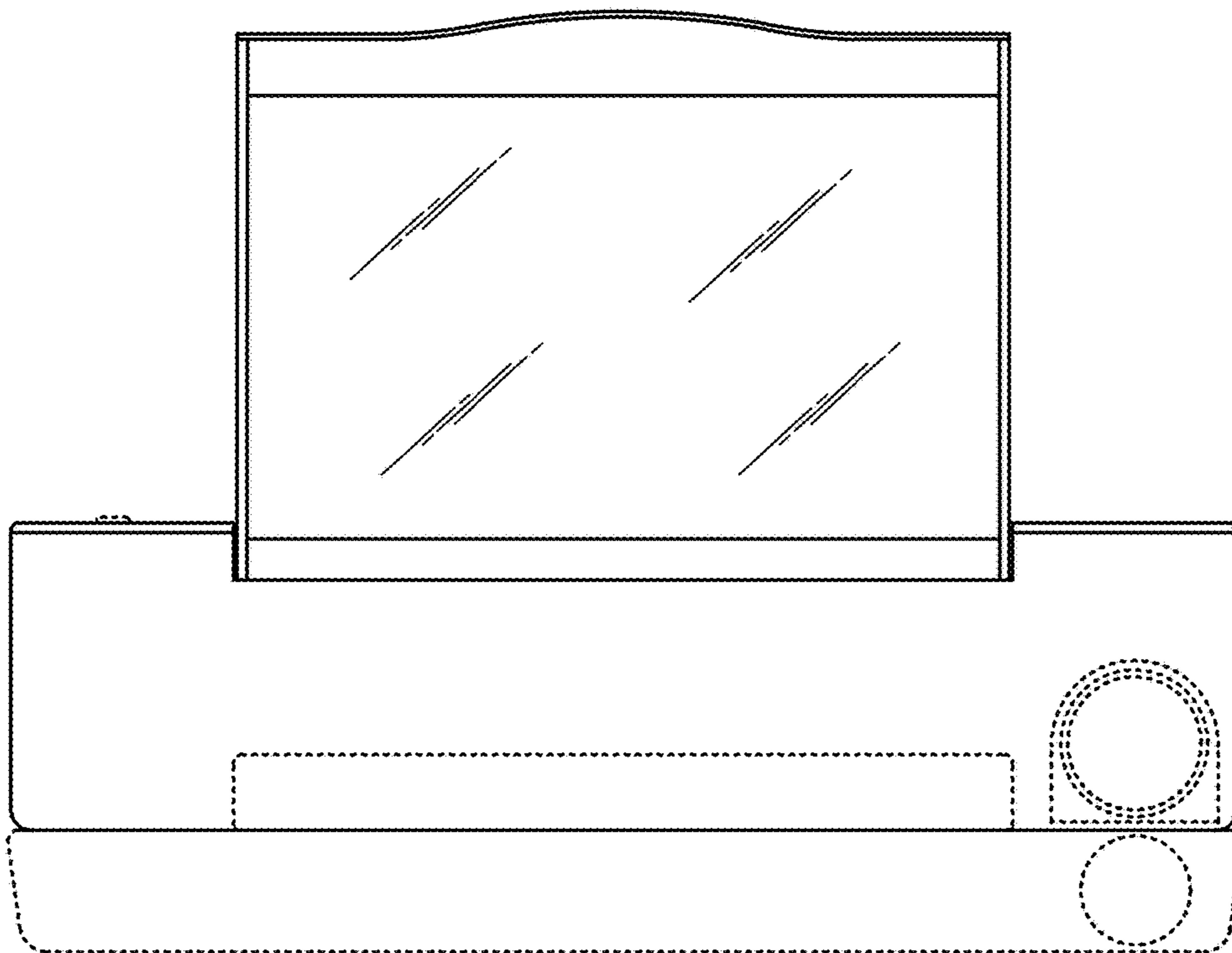


FIG. 12

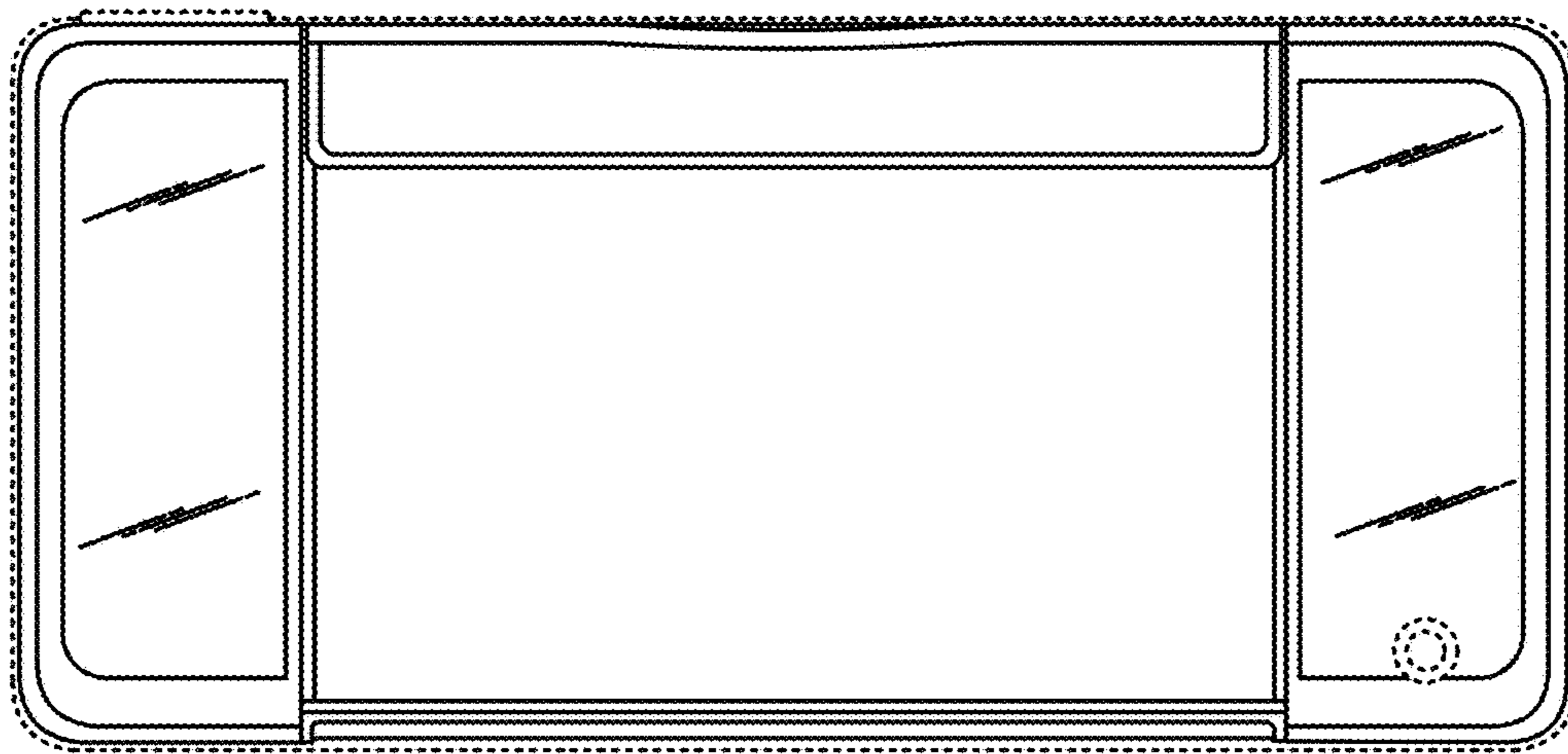


FIG. 13

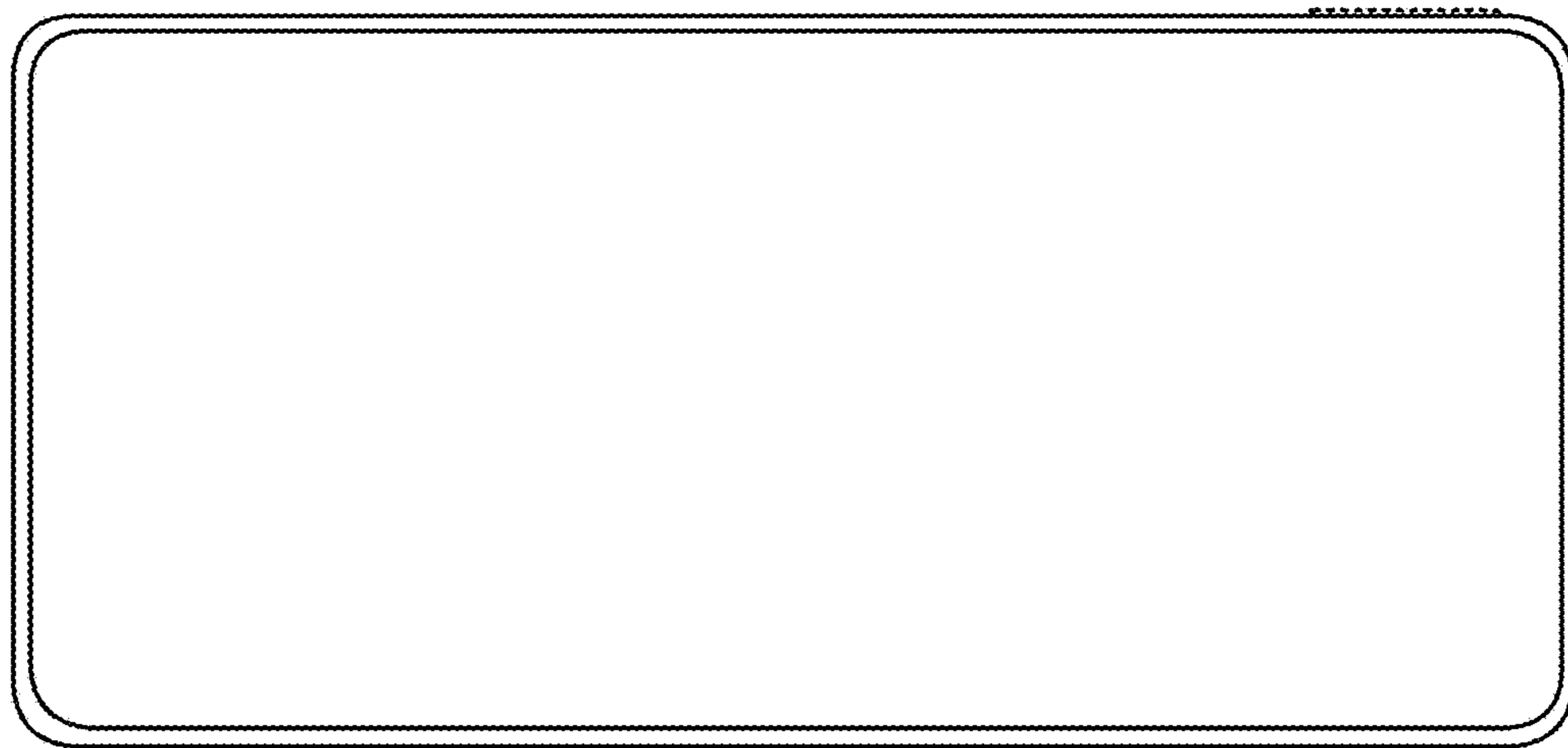


FIG. 14