



US00D827701S

(12) **United States Design Patent**
Nguyen et al.

(10) **Patent No.:** **US D827,701 S**
(45) **Date of Patent:** **** Sep. 4, 2018**

(54) **AUGMENTED REALITY GLASSES**
(71) Applicant: **CastAR, Inc.**, Palo Alto, CA (US)
(72) Inventors: **Hoang Minh Nguyen**, San Mateo, CA (US); **Evan Lawrence Coons**, Hayward, CA (US)
(**) Term: **15 Years**
(21) Appl. No.: **29/575,682**
(22) Filed: **Aug. 26, 2016**
(51) **LOC (11) Cl.** **16-06**
(52) **U.S. Cl.**
USPC **D16/309**; D14/372
(58) **Field of Classification Search**
USPC D14/372, 496, 125, 126, 356, 358;
D16/300, 309, 321, 326; D24/172
CPC H04N 13/0429; H04N 13/004; G02B 27/017; G02B 27/01; G02B 27/0172; G02B 27/0176; G02B 2027/0178; G02B 2027/181; G02B 27/2264; G02B 27/0101; G02B 27/0093; G06F 3/012; G06F 3/013; G06F 3/00; G02C 11/10; G06K 9/00281
See application file for complete search history.

9,229,227 B2 * 1/2016 Border G02B 27/0093
9,279,985 B2 * 3/2016 Hiraide G02B 27/0172
9,429,755 B2 * 8/2016 Kim G02B 27/017
9,716,874 B2 * 7/2017 Jacobs H04N 13/004
2013/0044042 A1 * 2/2013 Olsson G02B 27/0176
345/8
2013/0278631 A1 * 10/2013 Border G02B 27/017
345/633
2014/0125890 A1 * 5/2014 Xie G02B 27/2264
349/13
2015/0185477 A1 * 7/2015 Hiraide G02B 27/017
345/8
2015/0346496 A1 * 12/2015 Haddick G02B 27/0176
359/630
2016/0057339 A1 * 2/2016 Raffle G06K 9/00281
348/222.1

* cited by examiner

Primary Examiner — Freda S Nunn

(57) **CLAIM**

We claim the ornamental design for augmented reality glasses, as shown and described.

DESCRIPTION

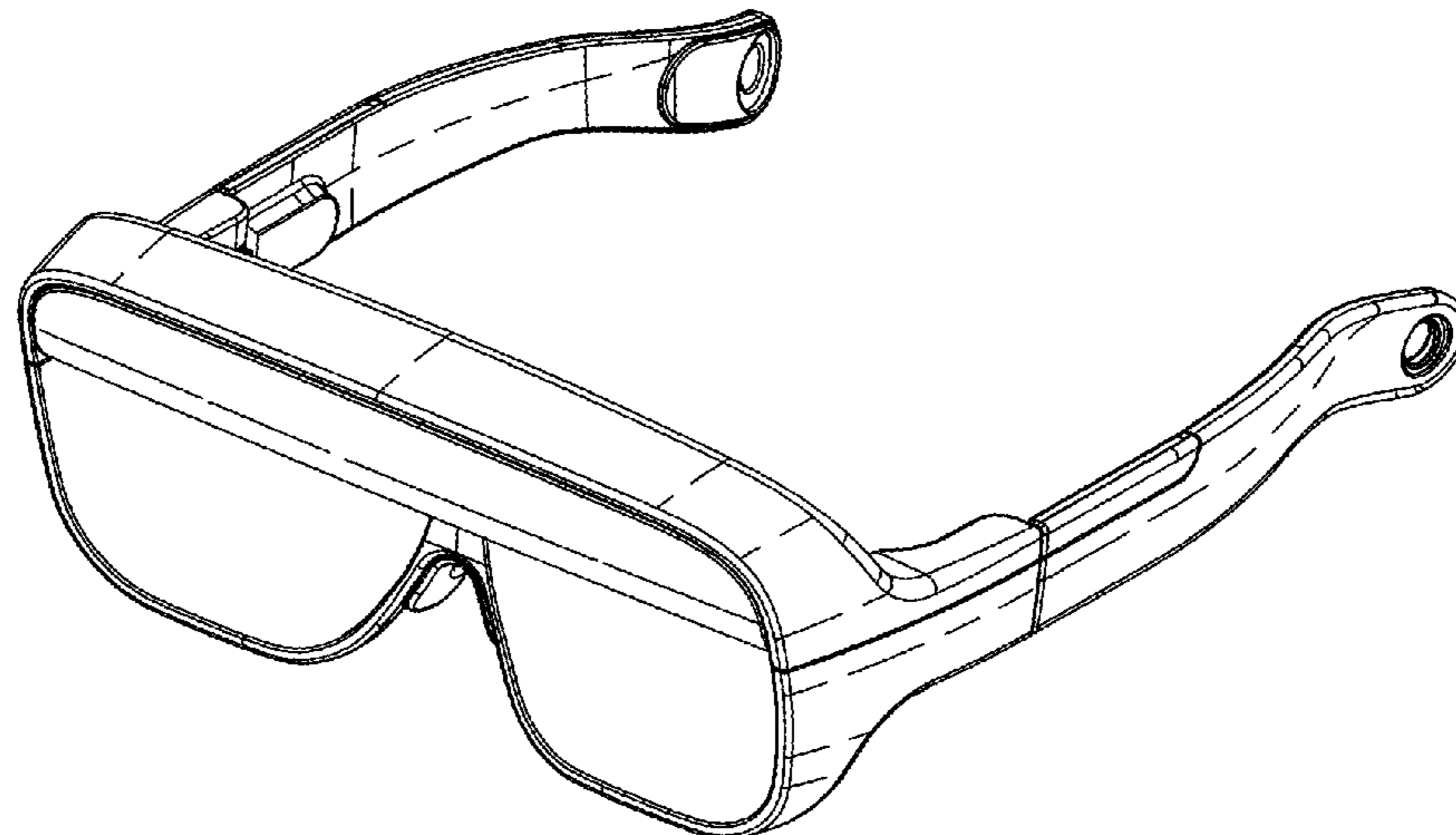
FIG. 1 is a front perspective view of augmented reality glasses embodying our new design.
FIG. 2 is a rear perspective view of the augmented reality glasses.
FIG. 3 is a top view of the augmented reality glasses.
FIG. 4 is a bottom view of the augmented reality glasses.
FIG. 5 is a left side view of the augmented reality glasses
FIG. 6 is a right side view of the augmented reality glasses.
FIG. 7 is a front end view of the augmented reality glasses; and,
FIG. 8 is a rear end view of the augmented reality glasses.

1 Claim, 4 Drawing Sheets

(56) **References Cited**

U.S. PATENT DOCUMENTS

D583,403 S * 12/2008 Lane D16/321
D708,658 S * 7/2014 Lane D16/235
8,976,452 B2 * 3/2015 Takagi G02B 27/0101
345/7
8,994,612 B2 * 3/2015 Fujishiro G02B 27/0172
345/8
D738,373 S * 9/2015 Davies D14/372
9,207,456 B2 * 12/2015 Hiraide G02B 27/0172



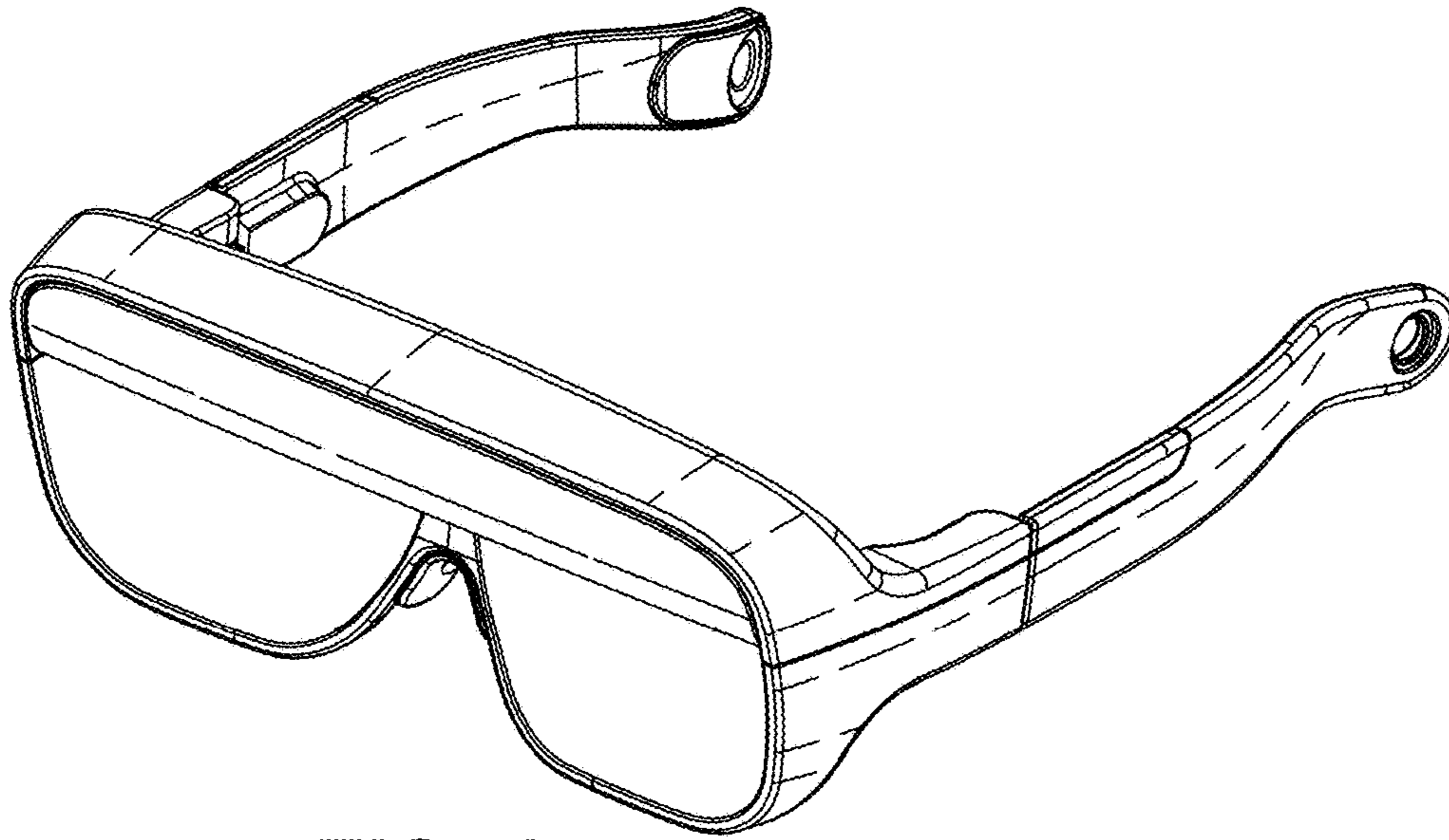


FIG. 1

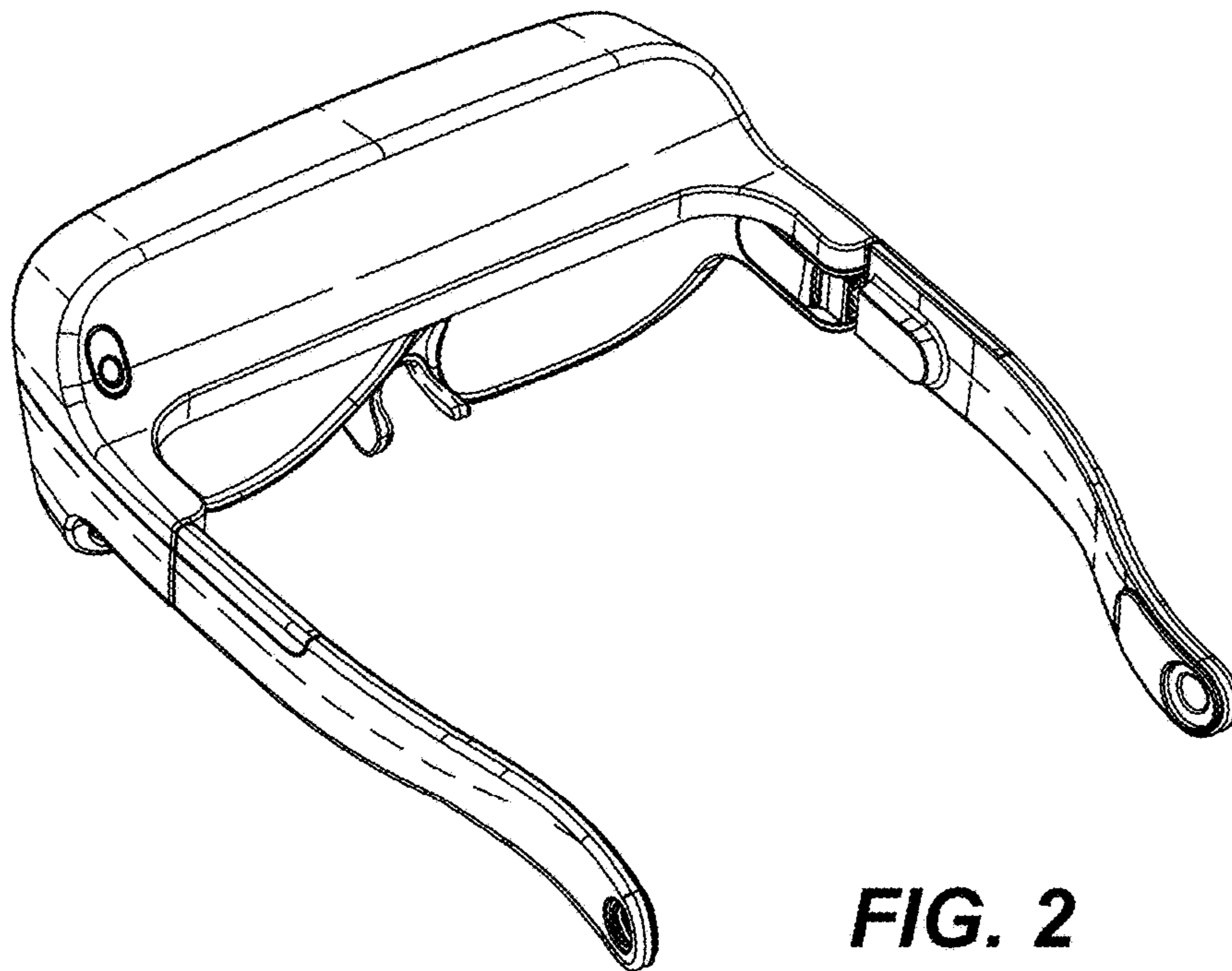


FIG. 2

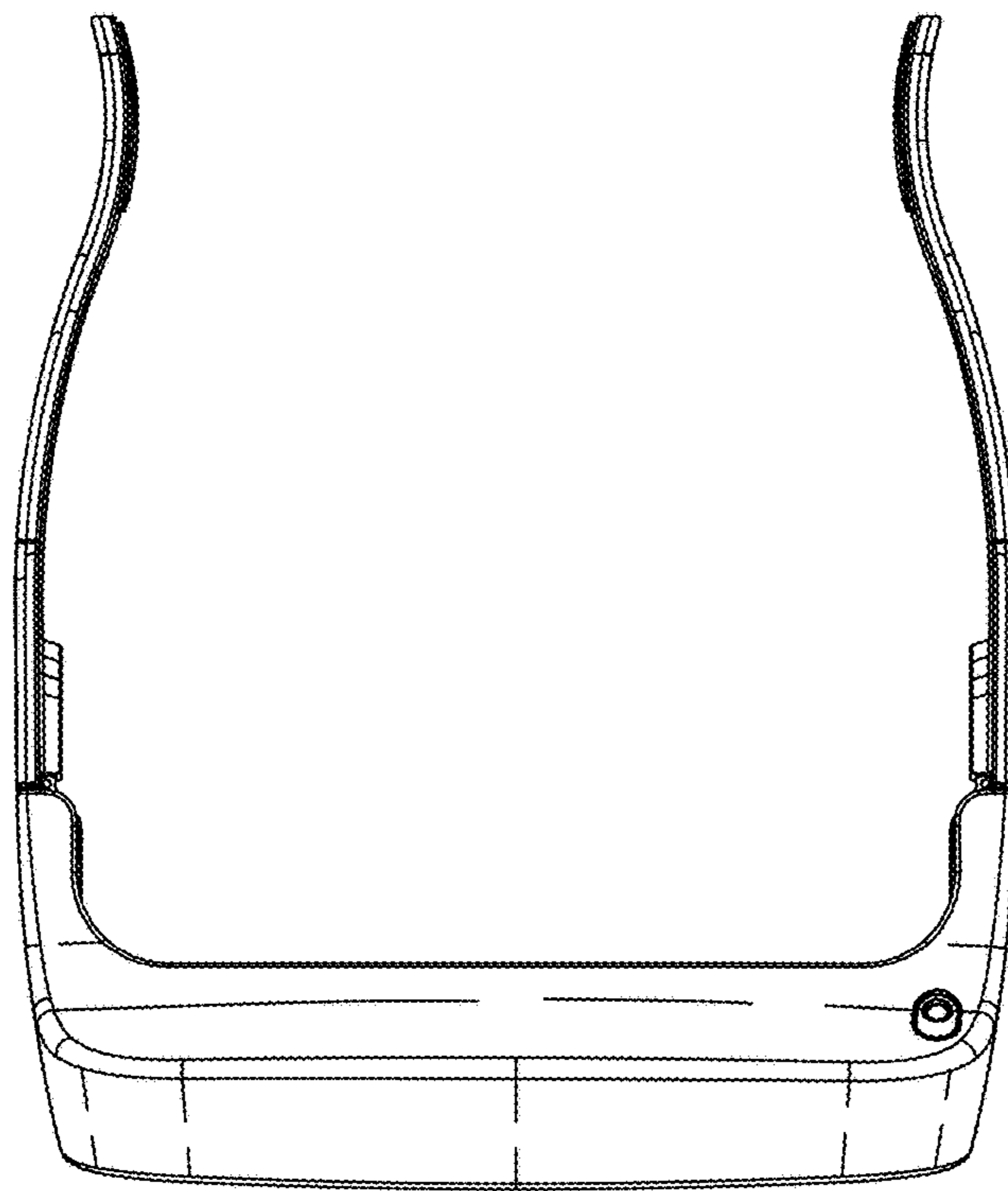


FIG. 3

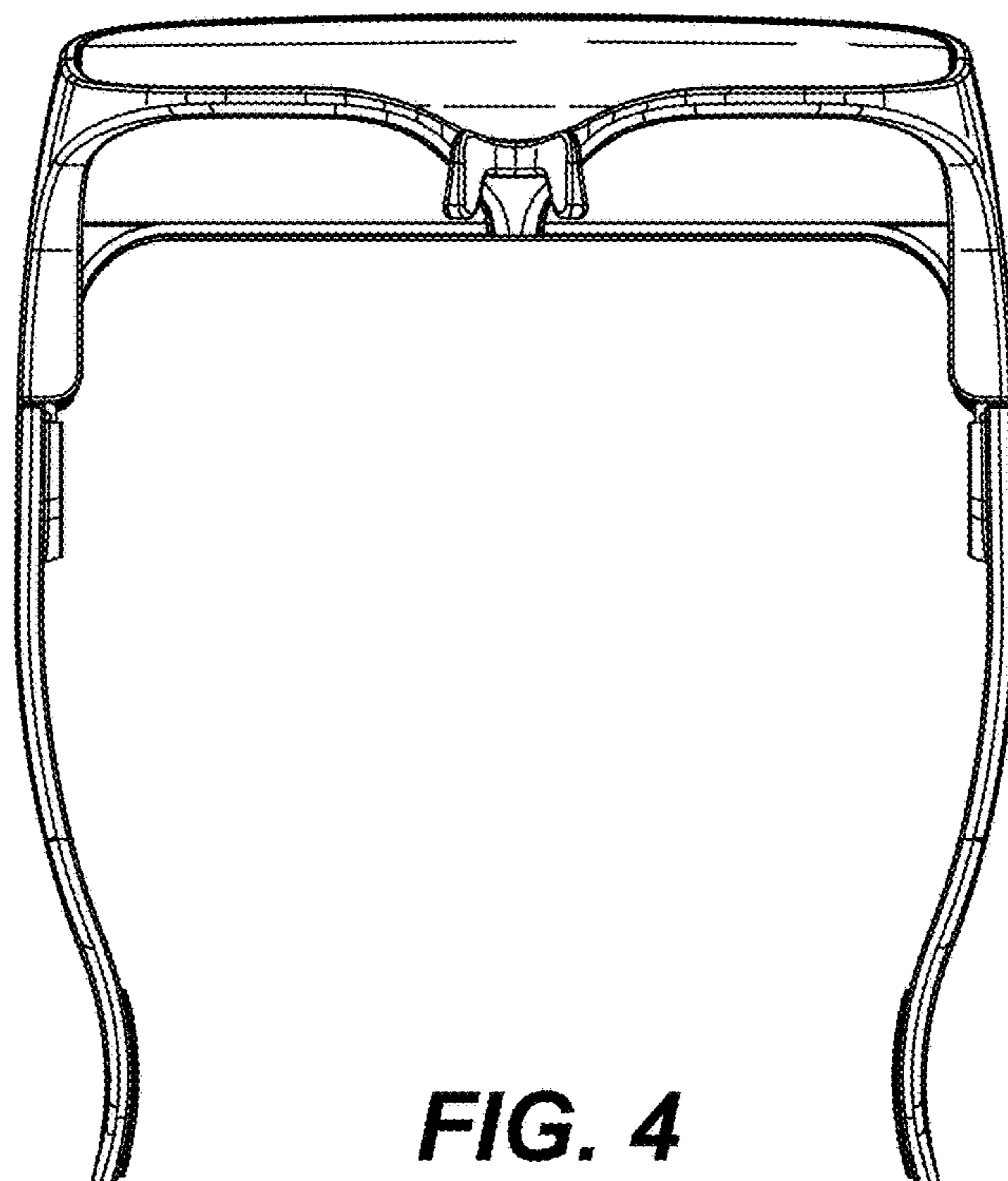


FIG. 4

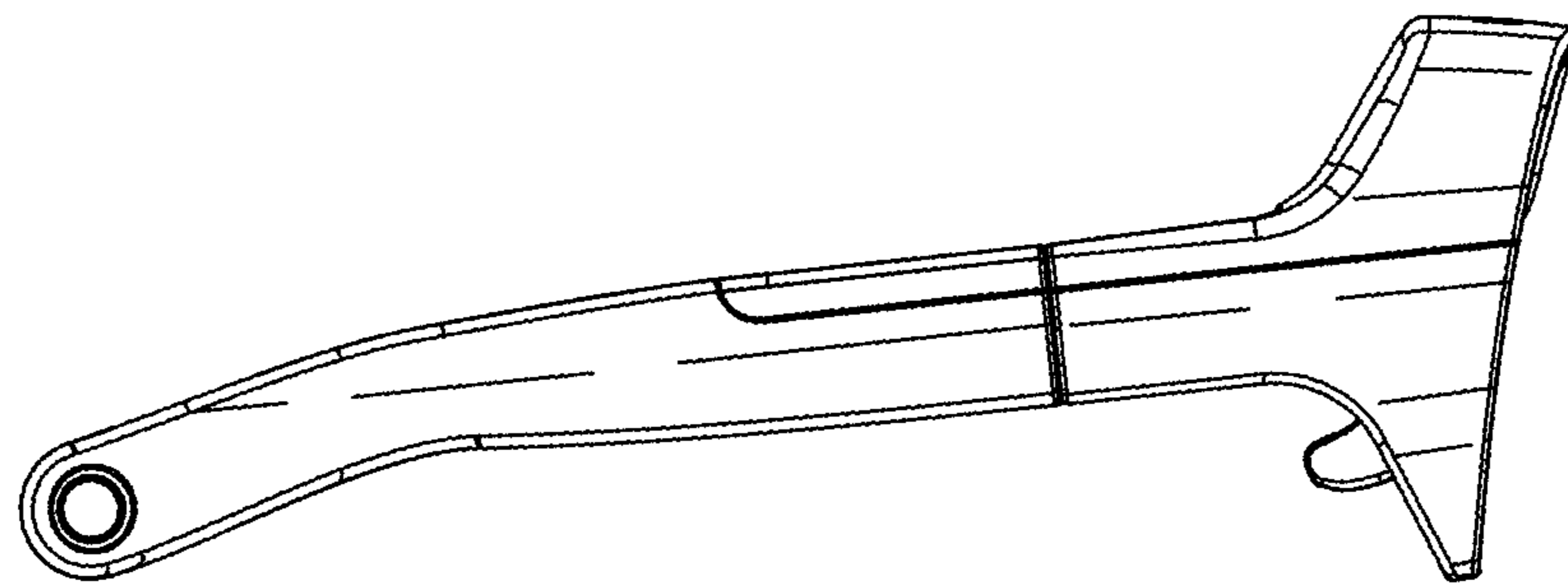


FIG. 5

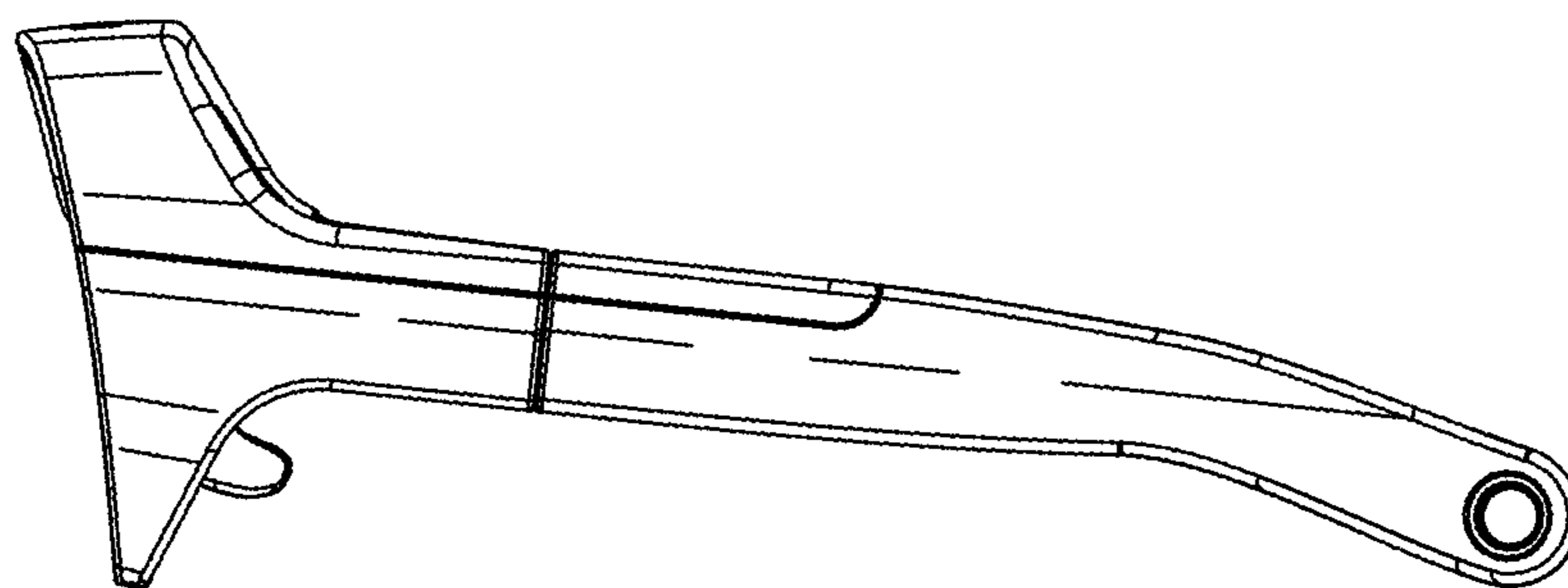


FIG. 6

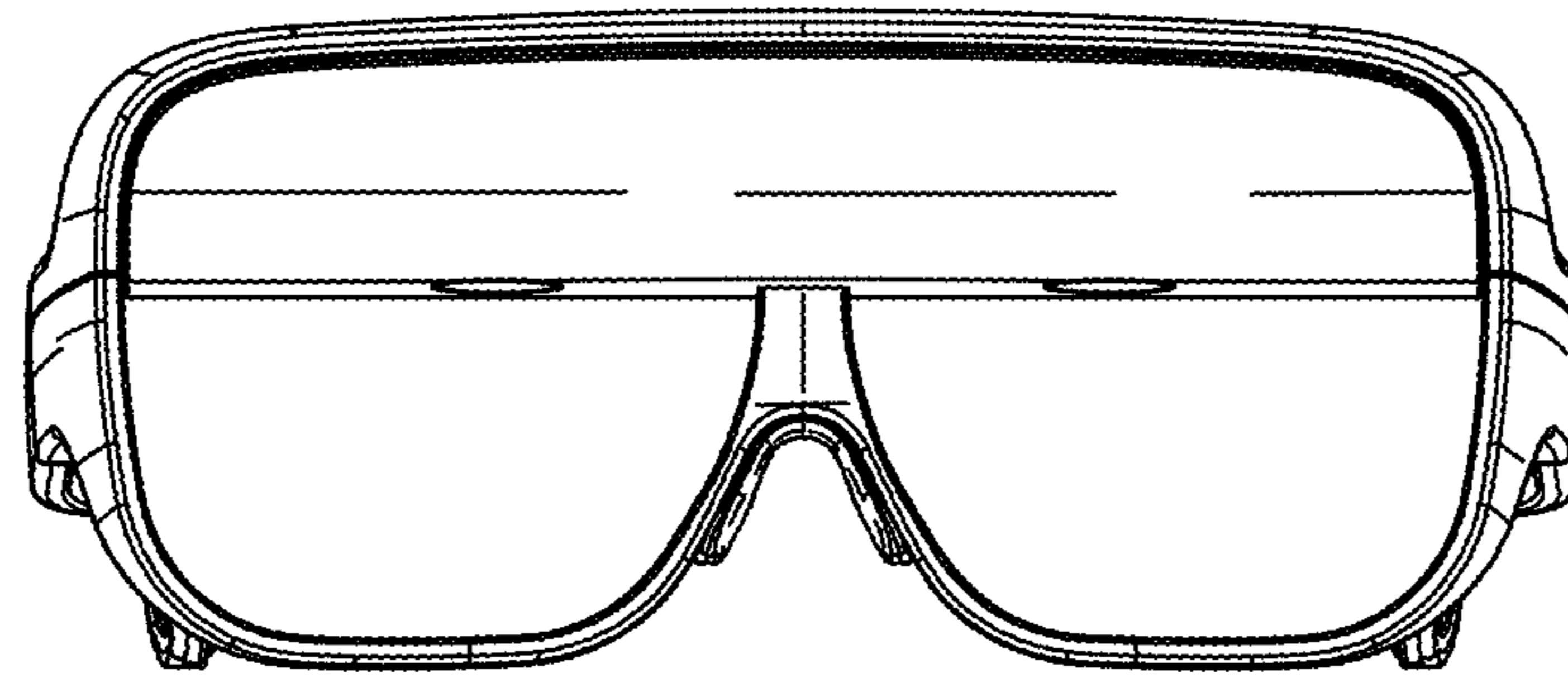


FIG. 7

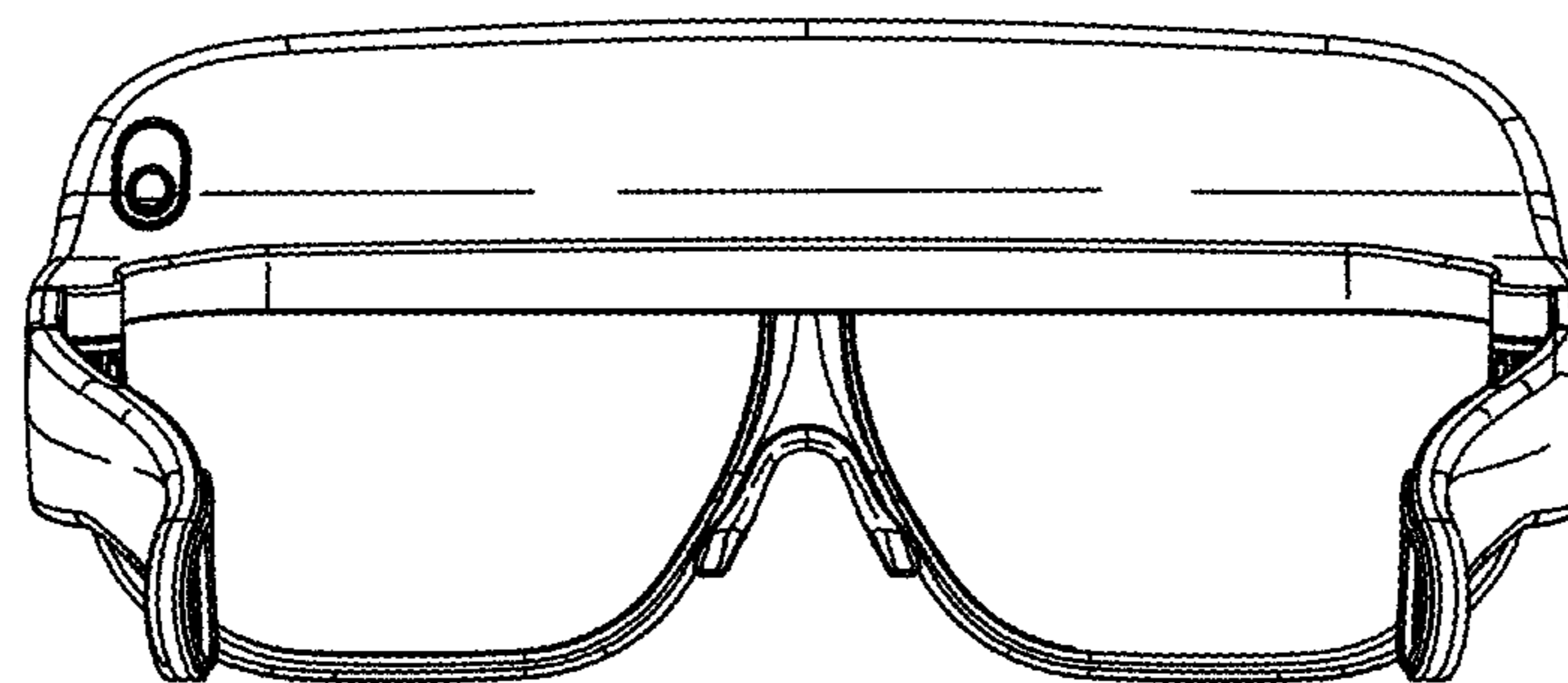


FIG. 8