



US00D827699S

(12) **United States Design Patent** (10) **Patent No.:** **US D827,699 S**
Dispenza et al. (45) **Date of Patent:** **** Sep. 4, 2018**

(54) **SUSPENSION HOUSING FOR CAMERA MOUNT**

<URL:https://www.amazon.com/Hadley-Roma-MS3459RA-240-Genuine-Rubber/dp/B005EJGRUY>.*

(Continued)

(71) Applicant: **Dotworkz**, San Diego, CA (US)

Primary Examiner — Charles Garth Rademaker

(72) Inventors: **Jace Dispenza**, San Diego, CA (US);
William Ferris, Bend, OR (US)

Assistant Examiner — Katelin G Kloberg

(73) Assignee: **Traeger Pellet Grills, LLC**, Salt Lake City, UT (US)

(74) *Attorney, Agent, or Firm* — Workman Nydegger

(**) Term: **15 Years**

(57) **CLAIM**

The ornamental design for a suspension housing for camera mount, as shown and described.

(21) Appl. No.: **29/527,157**

(22) Filed: **May 15, 2015**

DESCRIPTION

Related U.S. Application Data

(63) Continuation of application No. 14/512,109, filed on Oct. 10, 2014, now Pat. No. 9,762,779.

FIG. 1 is a top, front, right side perspective view of a suspension housing for camera mount, showing our new design in condition of use;

(51) **LOC (11) Cl.** **16-05**

FIG. 2 is a top, front, right side perspective view;

(52) **U.S. Cl.**

FIG. 3 is a top, rear, right side perspective view, shown in condition of use;

USPC **D16/245**

FIG. 4 is a top, rear, right side perspective view;

(58) **Field of Classification Search**

USPC D16/237-250; D11/4, 13, 38, 39;

FIG. 5 is a front elevation view, shown in condition of use;

33/299; 248/62, 178.1, 179.1, 694;

FIG. 6 is a front elevation view;

352/243; 396/13

FIG. 7 is a rear elevation view, shown in condition of use;

(Continued)

FIG. 8 is a rear elevation view;

(56) **References Cited**

FIG. 9 is a right side elevation view, shown in condition of use;

U.S. PATENT DOCUMENTS

FIG. 10 is a left side elevation view thereof;

D77,394 S * 1/1929 Cohen D11/38

FIG. 11 is a top plan view thereof; and,

1,955,770 A * 4/1934 Richards F16M 11/10

FIG. 12 is a bottom plan view thereof.

396/13

The broken lines showing for horizontal tabs, most clearly shown in FIG. 2, represent portions of the article that form no part of the claimed design.

(Continued)

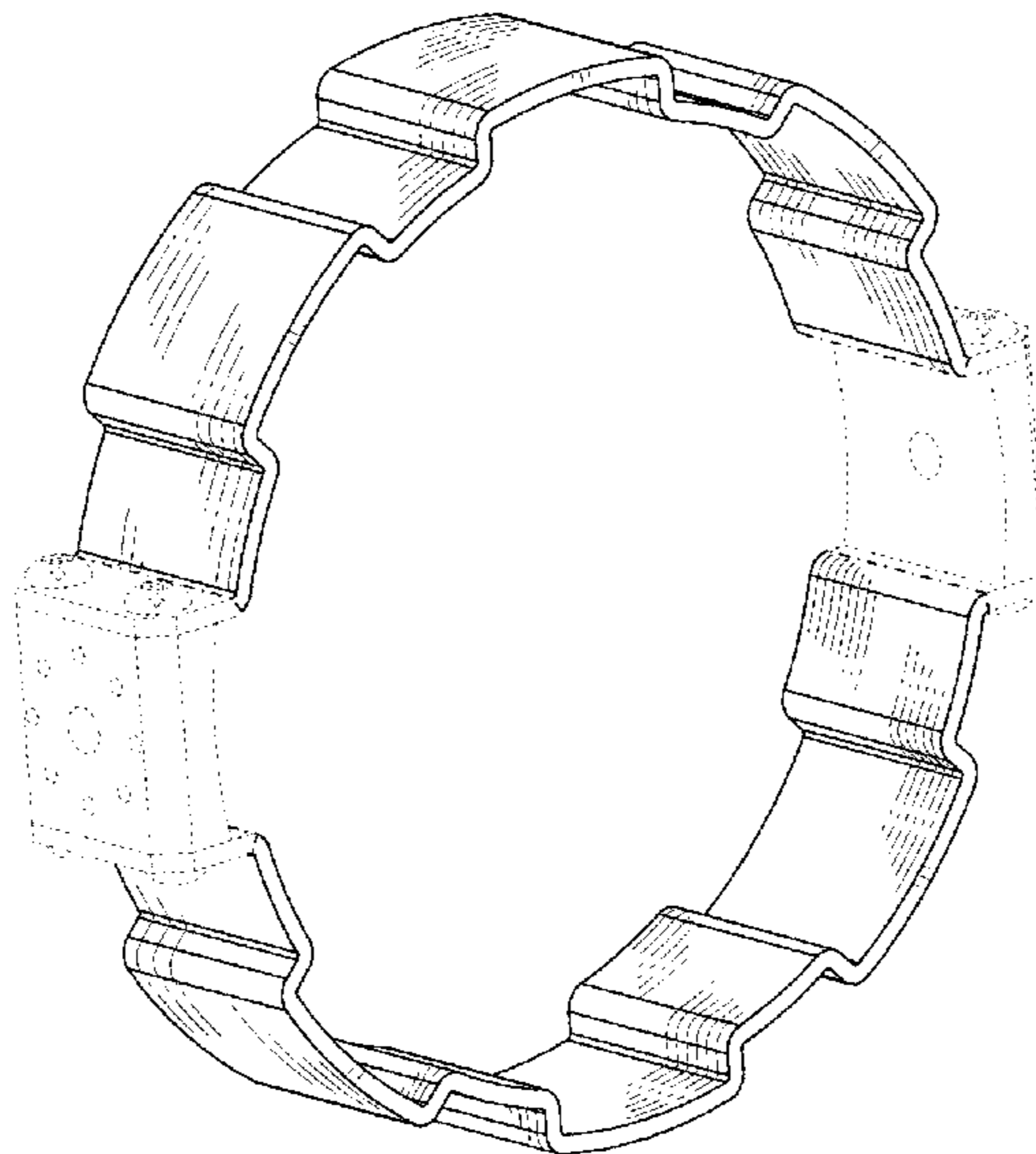
The dash-dot-dash lines in the drawings represent boundaries of the design and from no part of the claimed design.

OTHER PUBLICATIONS

All other broken lines in the drawings depict environmental subject matter only and form no part of the claimed design.

“Hadley-Roma Men’s MS3459RA.” Found online Dec. 29, 2016 at www.amazon.com. Page dated Feb. 19, 2013. Retrieved from

1 Claim, 11 Drawing Sheets



(58) **Field of Classification Search**
 CPC F16M 11/10
 See application file for complete search history.

2009/0244282 A1 10/2009 Eguiguren
 2010/0079101 A1 4/2010 Sidman
 2011/0221900 A1 9/2011 Reich
 2012/0171411 A1 7/2012 Lashmore
 2012/0327230 A1 12/2012 Ellison

(56) **References Cited**

U.S. PATENT DOCUMENTS

2,362,773 A * 11/1944 Robinson B64D 7/02
 33/299
 2,393,851 A * 1/1946 Wills G03B 15/00
 248/179.1
 2,446,096 A * 7/1948 Moore G02B 27/64
 248/694
 2,490,628 A * 12/1949 Isserstedt G02B 27/64
 248/178.1
 3,064,547 A * 11/1962 Humphries F16M 11/10
 352/243
 D279,555 S * 7/1985 Matsuo D11/4
 4,645,320 A 2/1987 Muelling
 5,045,871 A 9/1991 Reinholson
 5,216,250 A 6/1993 Pellegrino
 6,097,424 A 8/2000 Zernov
 D459,674 S * 6/2002 Razza D11/39
 6,407,922 B1 6/2002 Eckblad
 6,940,716 B1 9/2005 Korinsky
 D581,307 S * 11/2008 So D11/13
 D623,682 S * 9/2010 Volpato D16/242
 8,711,223 B2 4/2014 Ellison
 D719,605 S * 12/2014 Dordick D16/245
 2006/0226300 A1 * 10/2006 Shibuya F16L 3/1016
 248/62
 2008/0001284 A1 1/2008 Yuen et al.

OTHER PUBLICATIONS

“Shutterstock.” Found online Dec. 30, 2016 at www.shutterstock.com. Page dated Jan. 8, 2014. Retrieved from <URL:https://tineye.com/search/c5f94e3b24e34a27026daa8edc8e84f48a4f7ddd/?pluginver=chrome-1.1.5>.*
 “Casio G-Shock: GA-100CF-8A.” Found online Dec. 29, 2016 at www.arlojikita.com. Page dated Aug. 22, 2014. Retrieved from <URL:http://web.archive.org/web/20140822225954/http://www.arlojikita.com/casio-g-shock-ga-100cf-8a.html>.*
 “dotworkz Bash.” Found online Dec. 29, 2016 at www.dotworkz.com. Page dated Feb. 15, 2015. Retrieved from <URL:http://web.archive.org/web/20150215061547/http://www.dotworkz.com/bash/?>.*
 Final Office Action from U.S. Appl. No. 14/512,109 dated Aug. 17, 2016.
 Pelco, “EH3512/EH3515 Series Enclosure Product Specification”, 2011.
 Office Action from U.S. Appl. No. 14/512,109 dated Dec. 30, 2015.
 Orion Telescopes and Binoculars, “Orion Telescopes DSLR Camera Cooler”, published 2012.
 Non-Final Office Action for U.S. Appl. No. 14/514,109 dated Nov. 28, 2016.

* cited by examiner

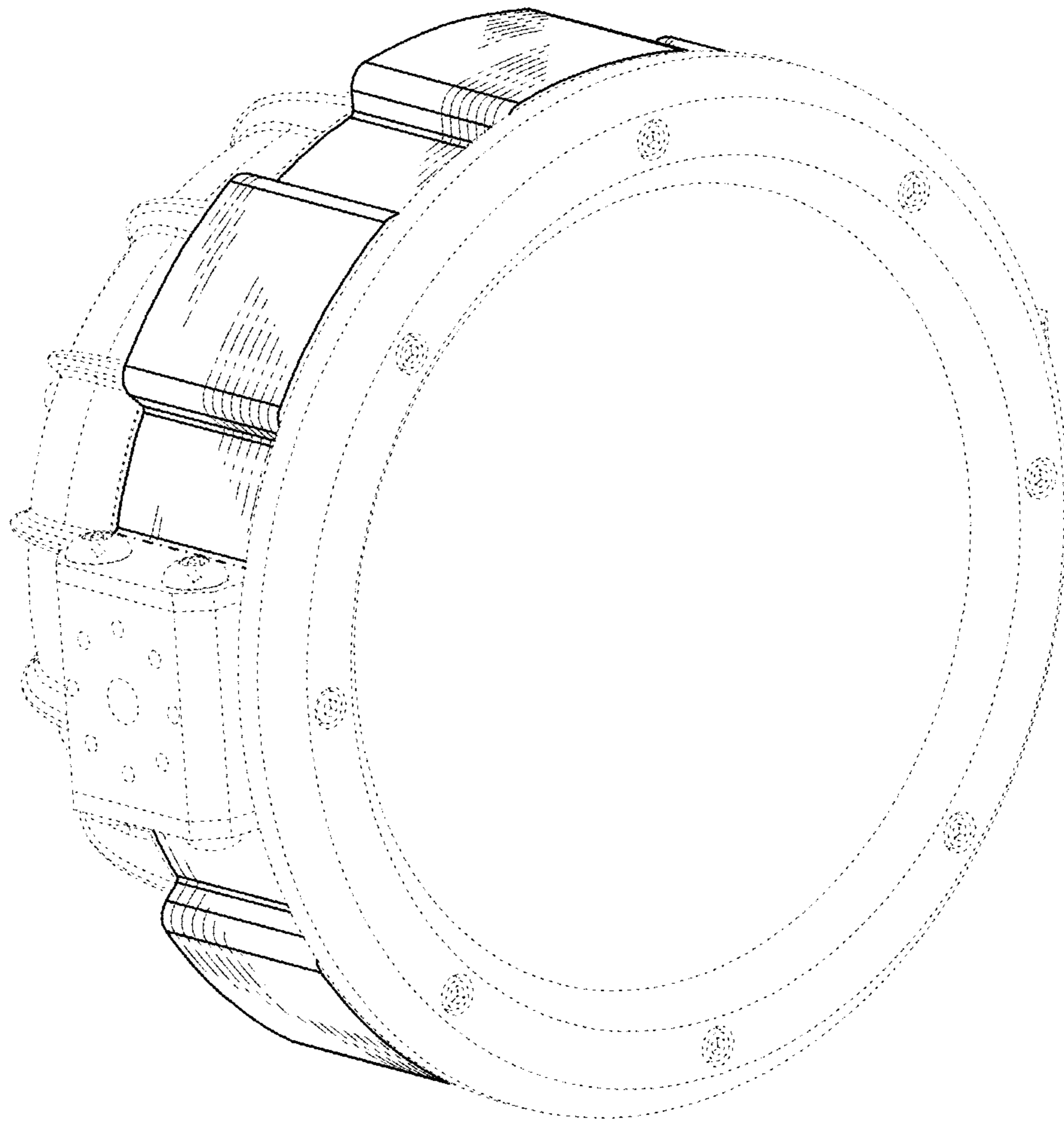


FIG. 1

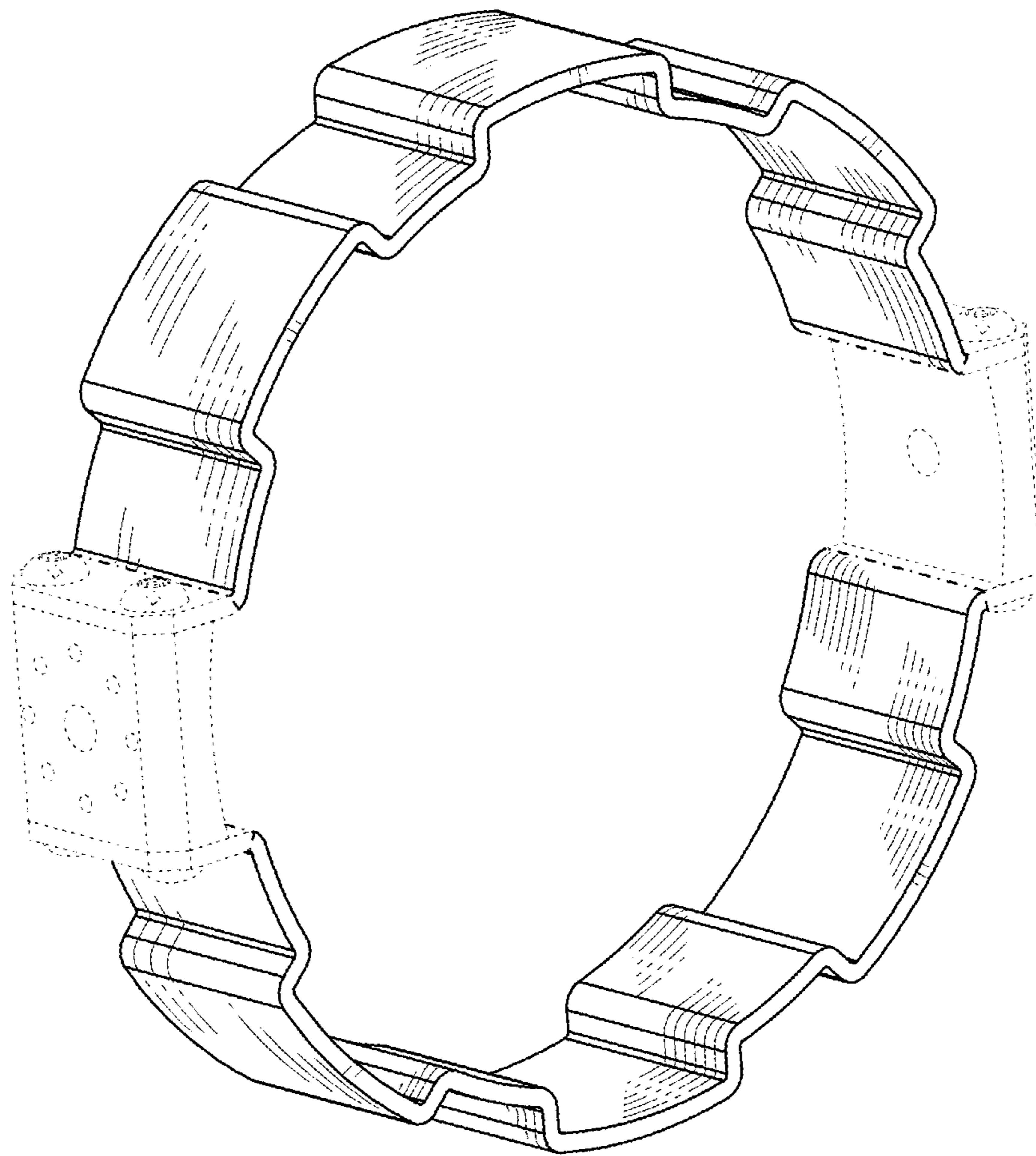


FIG. 2

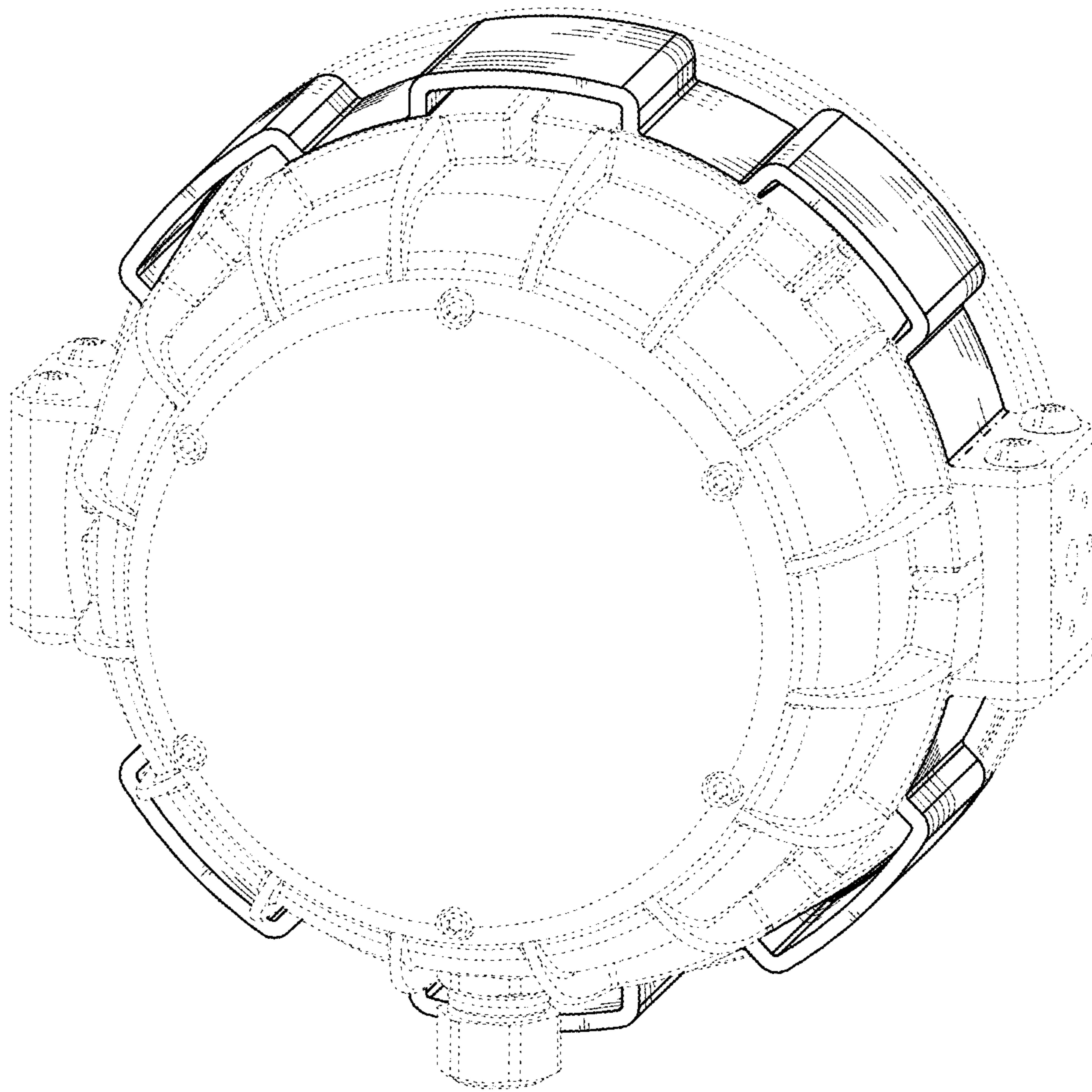


FIG. 3

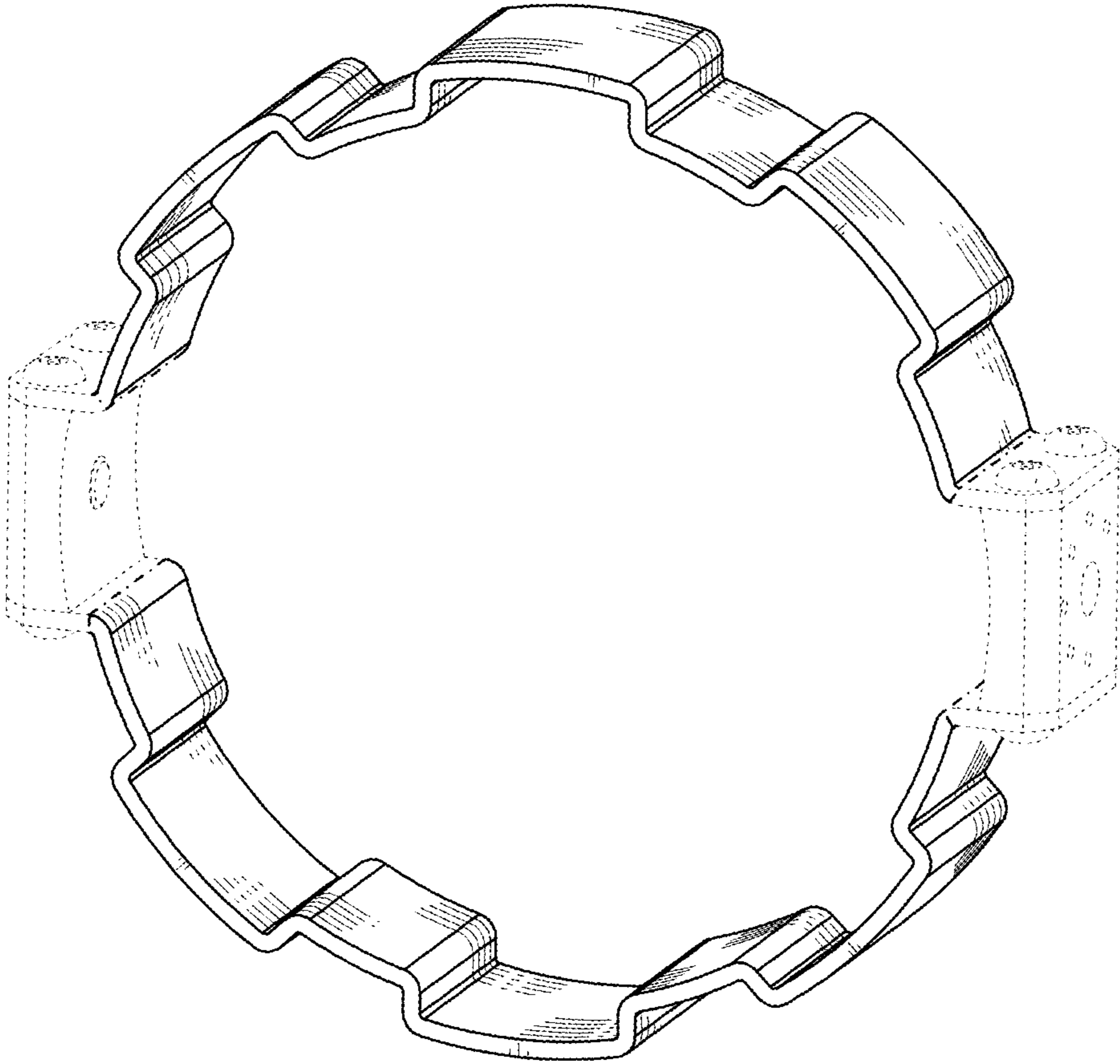


FIG. 4

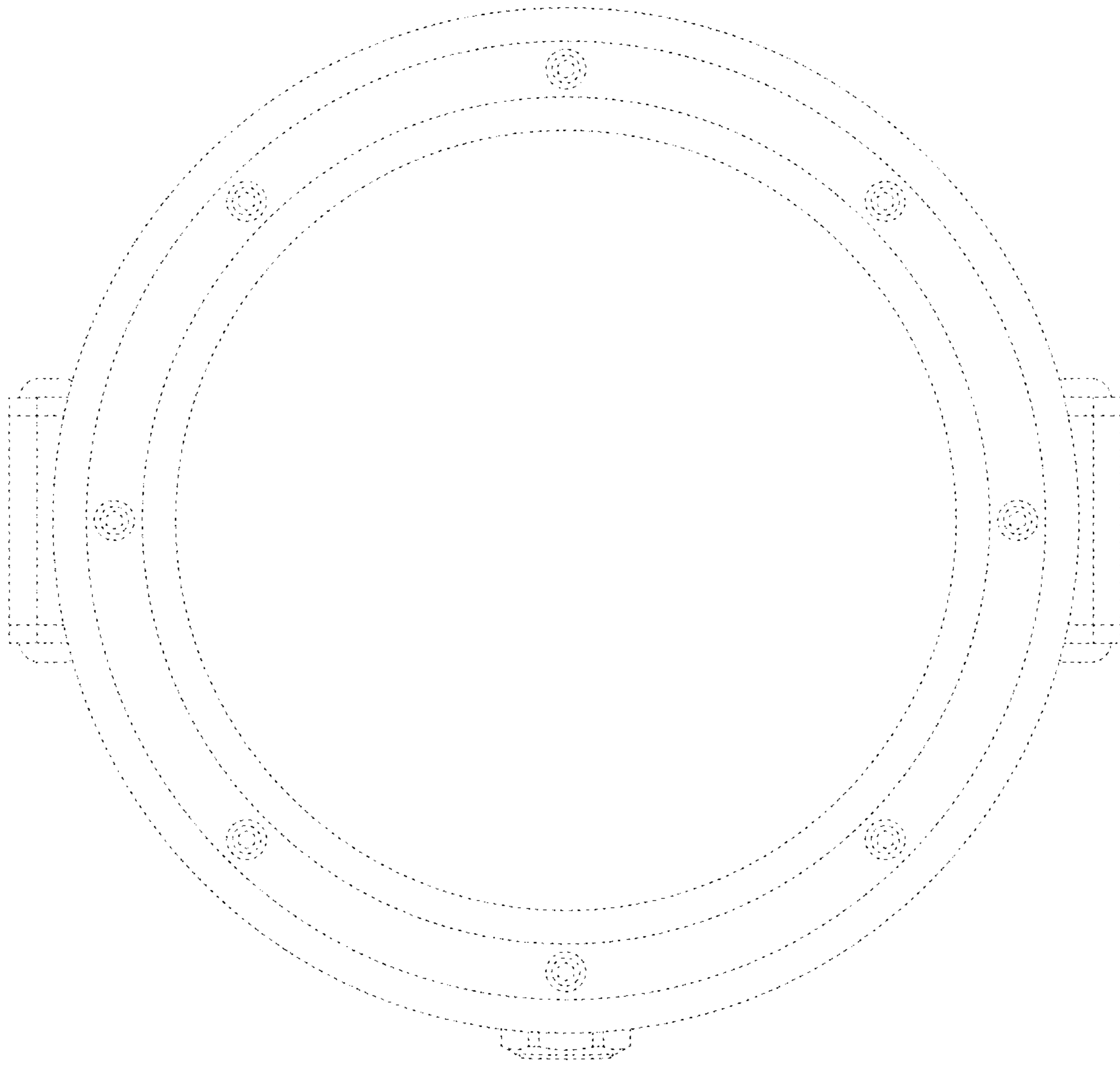


FIG. 5

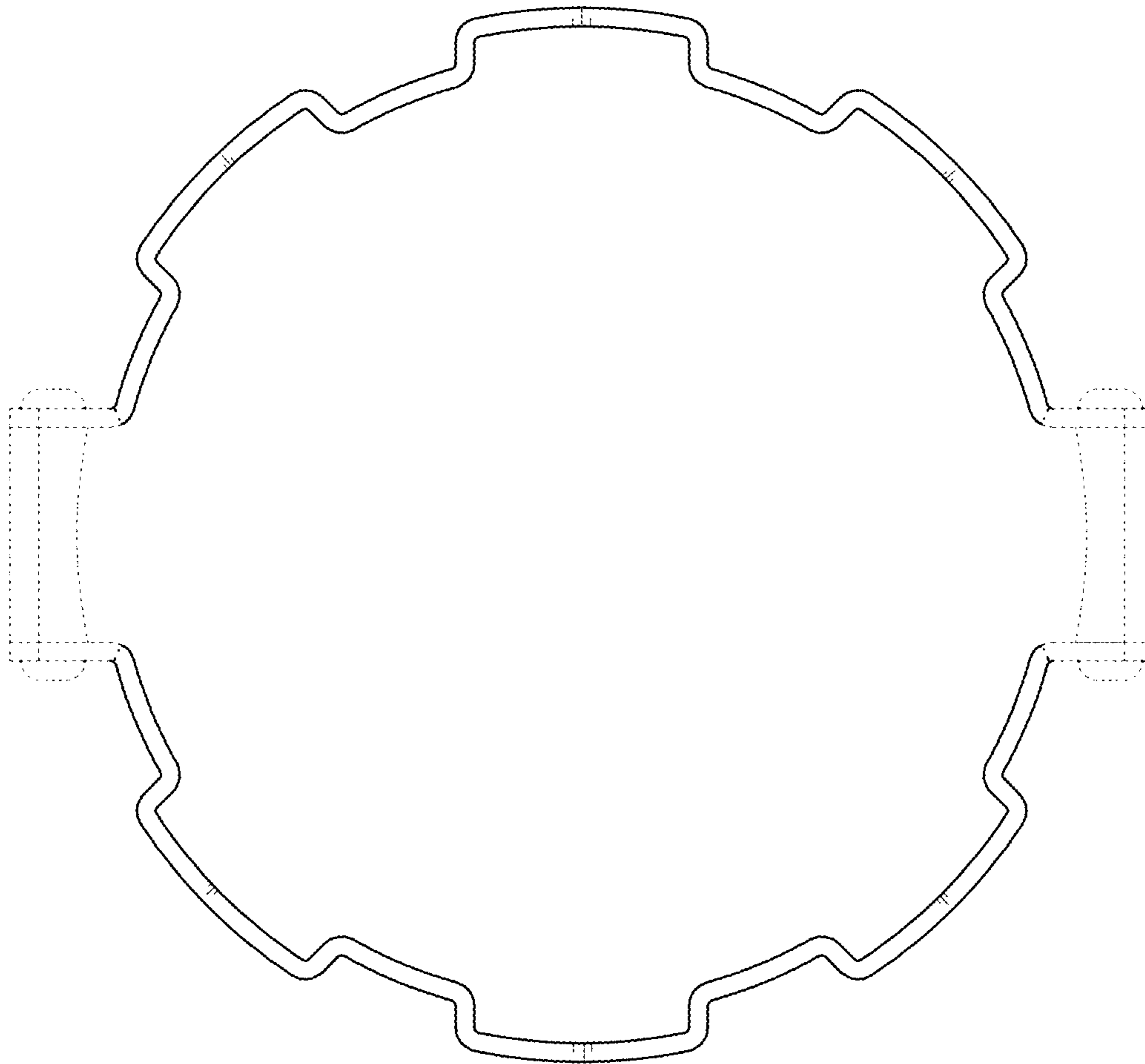


FIG. 6

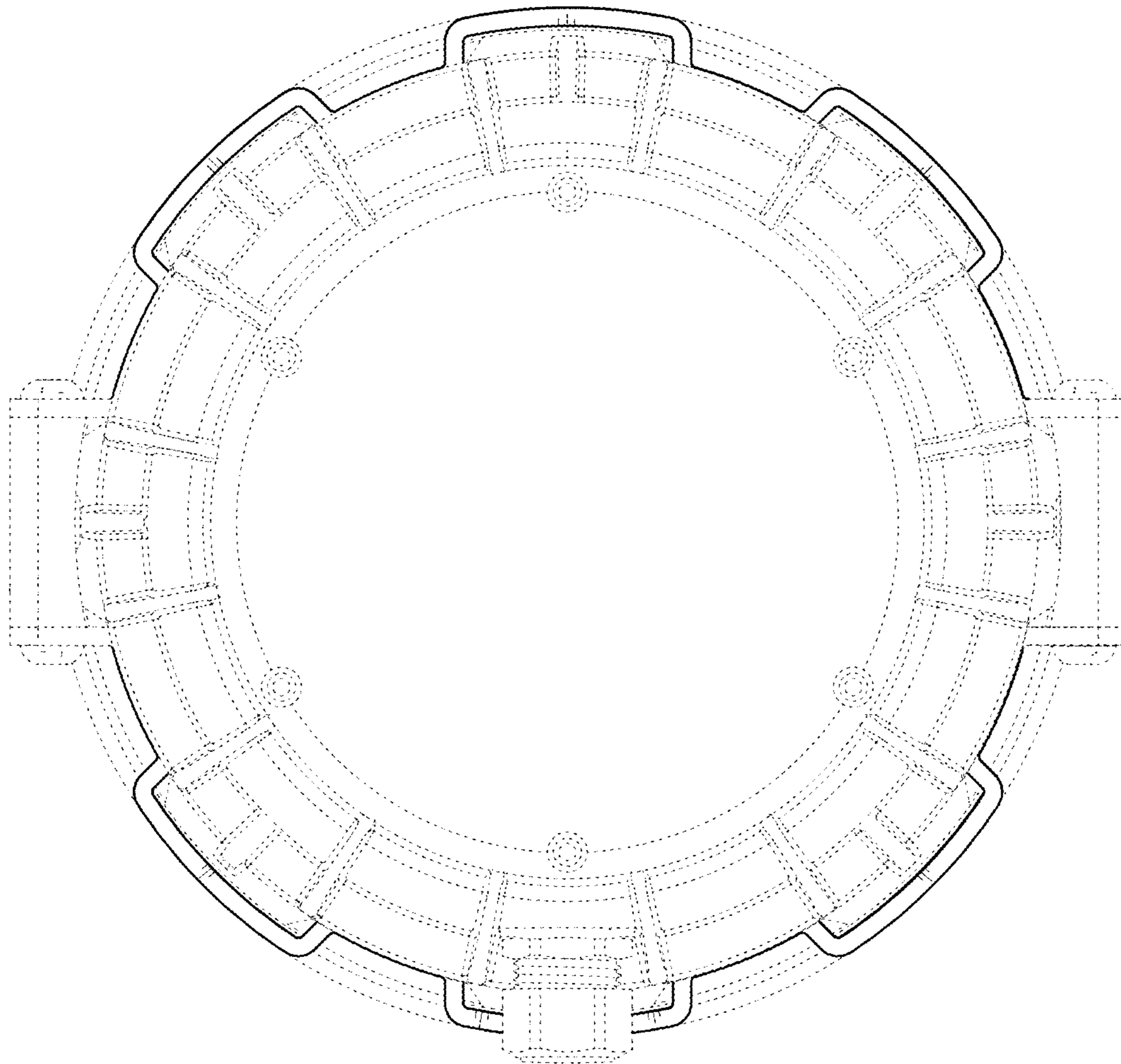


FIG. 7

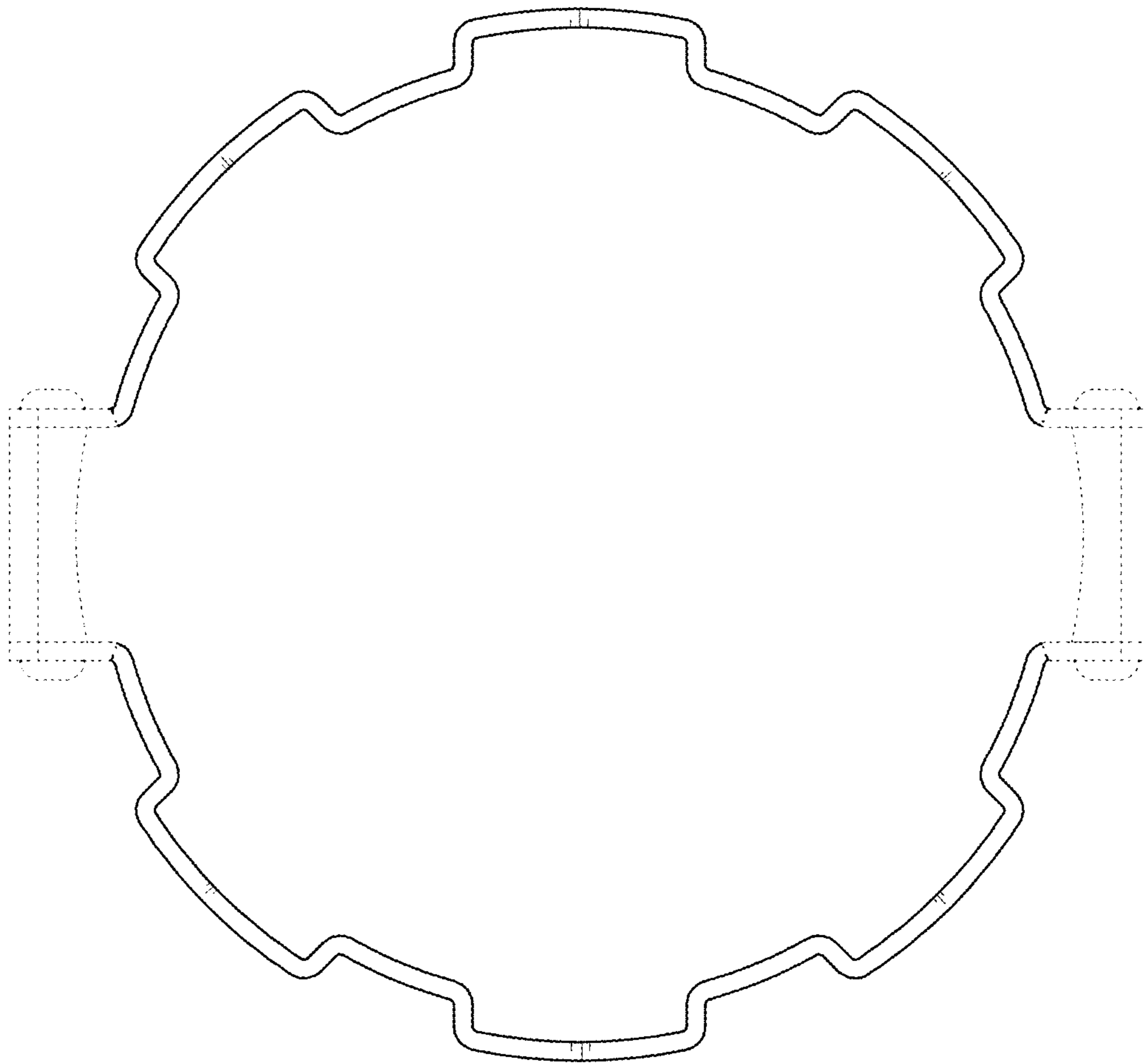


FIG. 8

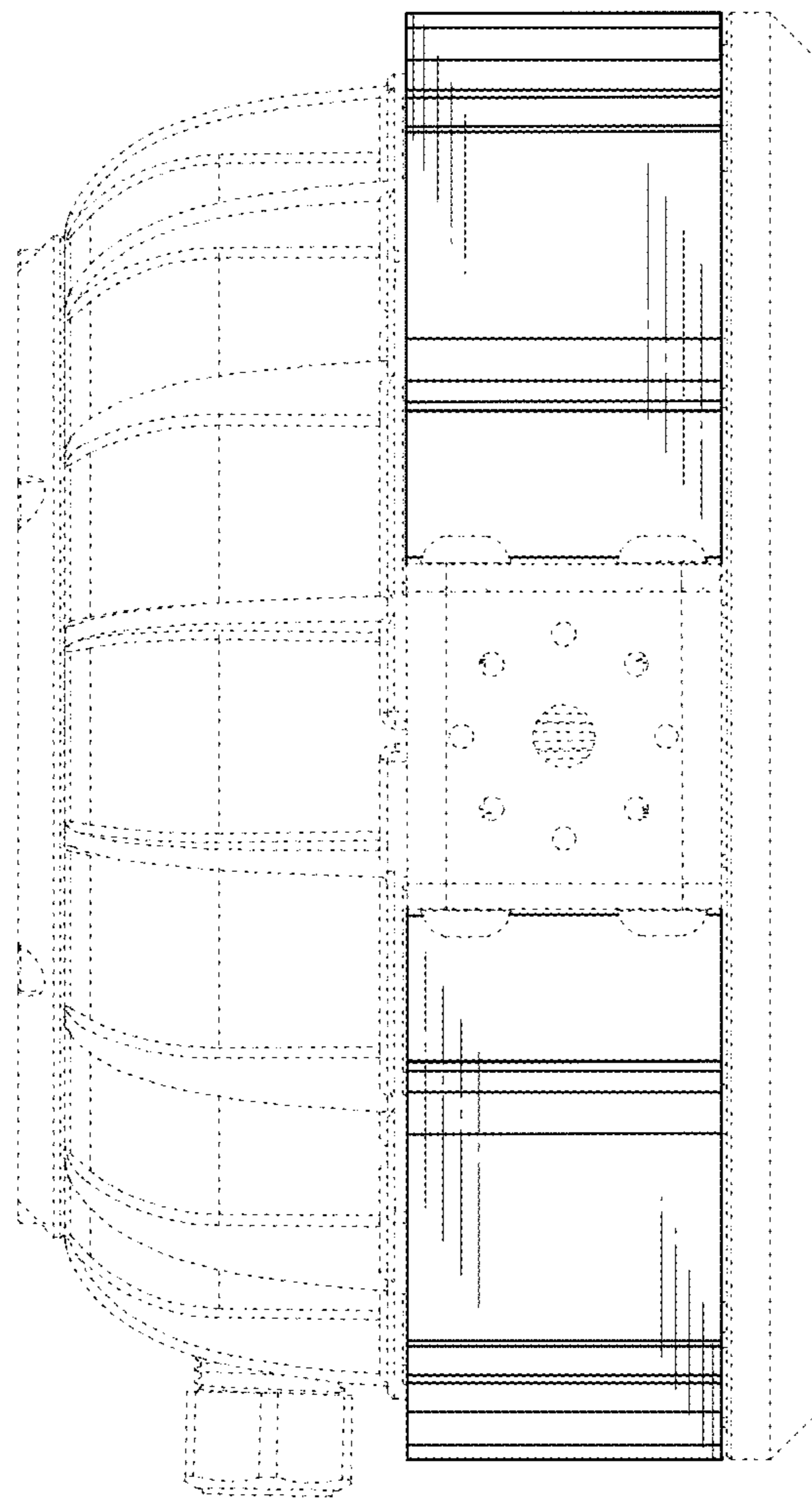


FIG. 9

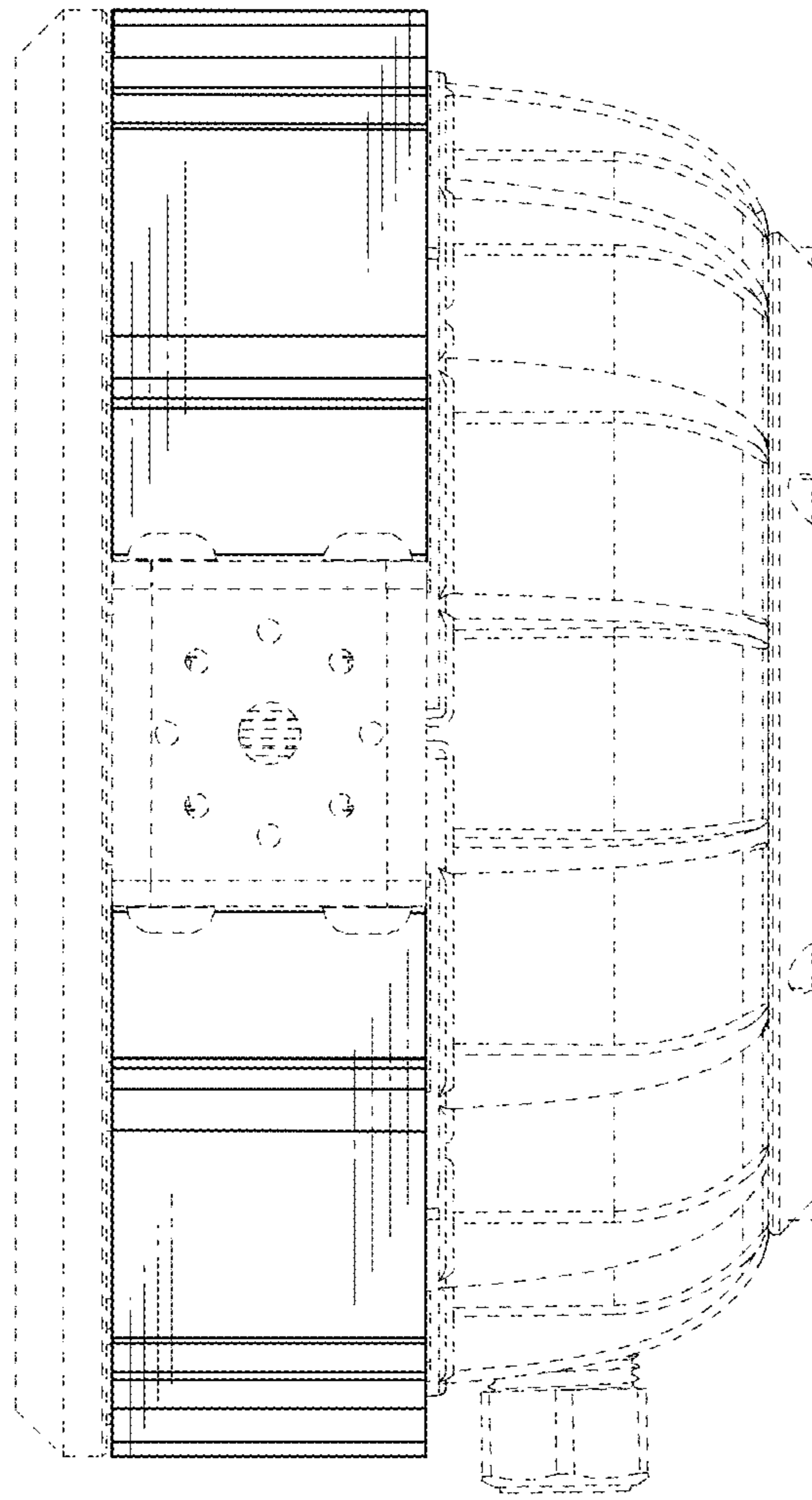


FIG. 10

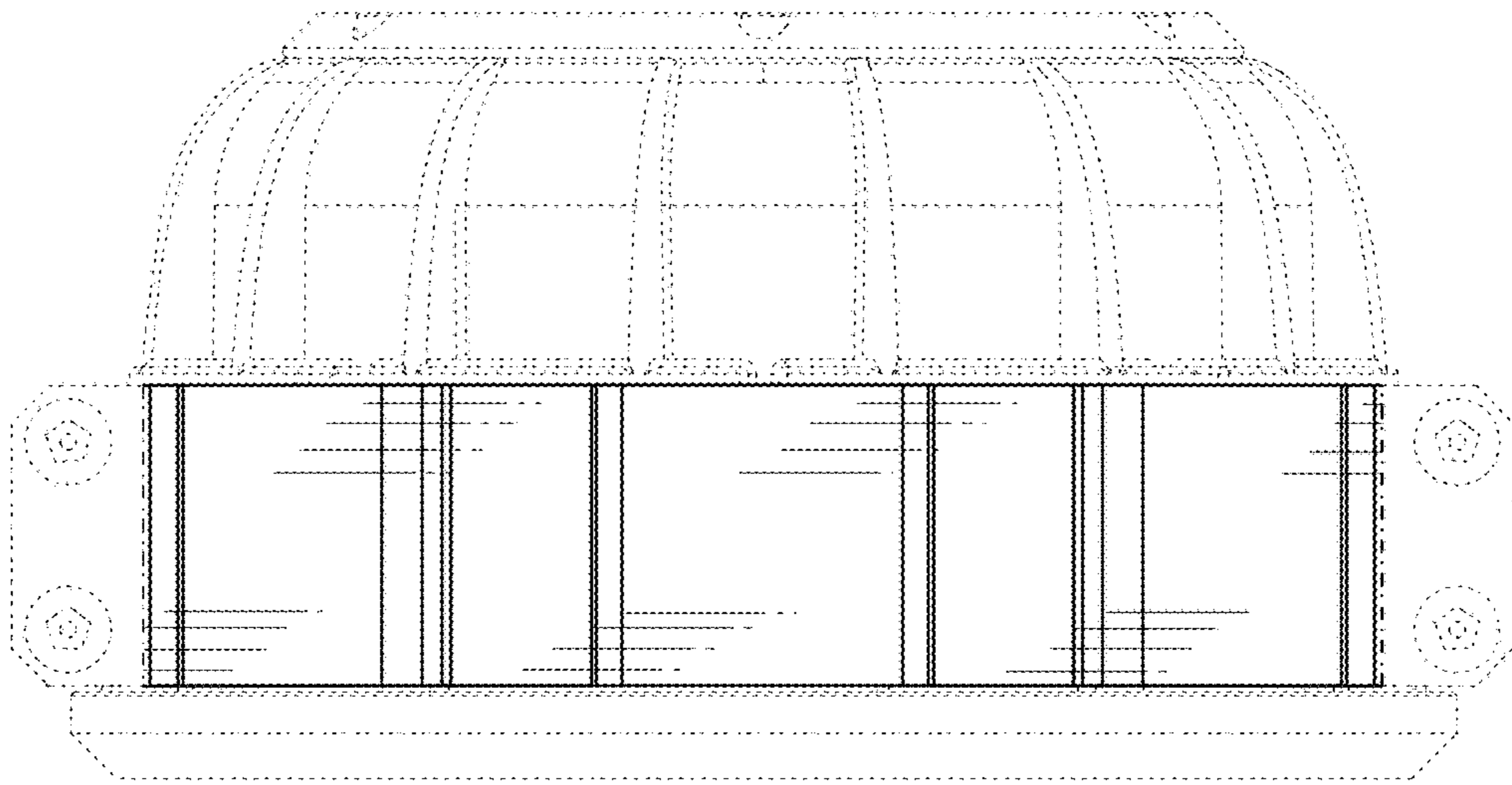


FIG. 11

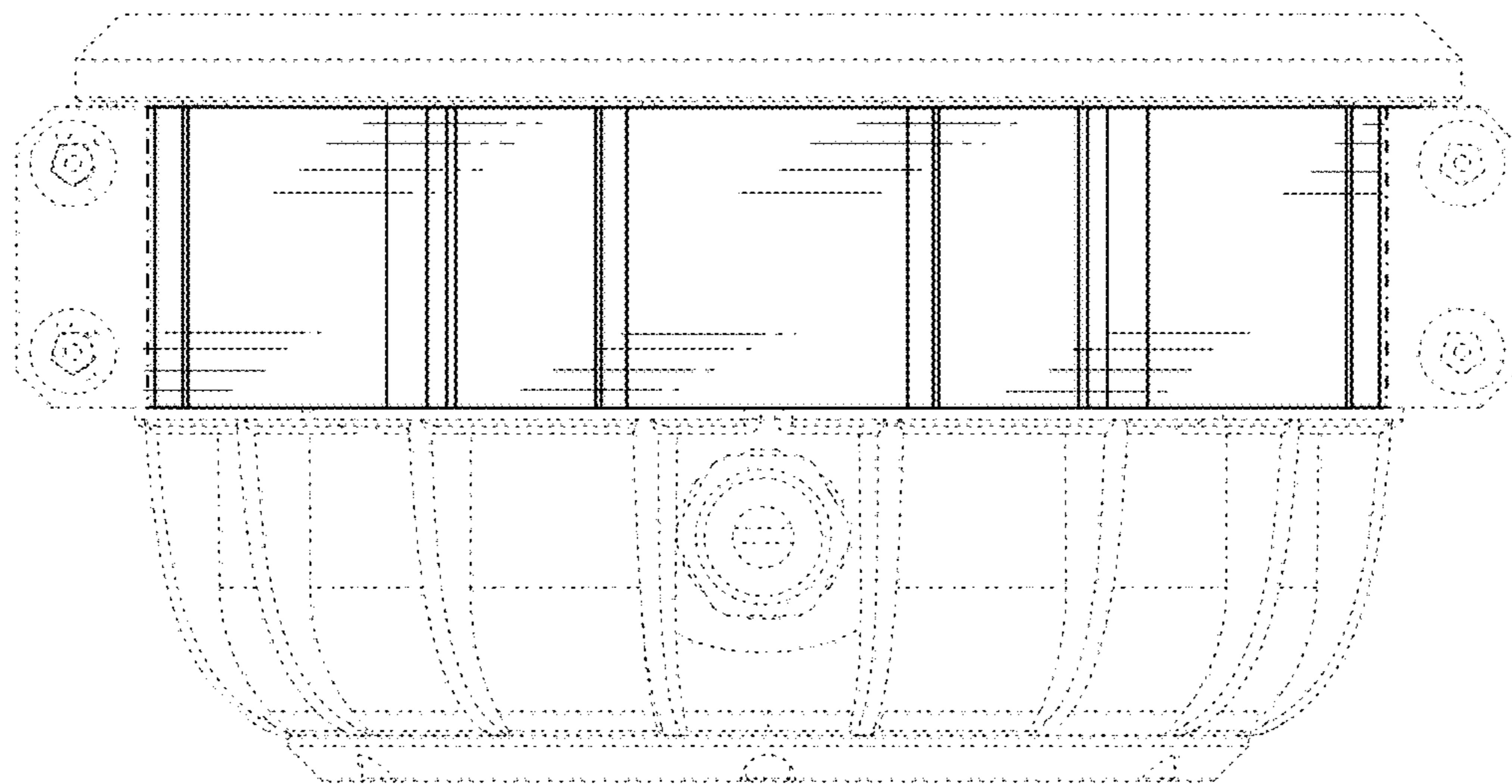


FIG. 12