



US00D827698S

(12) **United States Design Patent** (10) **Patent No.:** **US D827,698 S**
Zhang (45) **Date of Patent:** **** Sep. 4, 2018**

(54) **GIMBAL**

(71) Applicant: **AUTEL ROBOTICS CO., LTD.**,
Shenzhen, Guangdong (CN)

(72) Inventor: **Zhengli Zhang**, Guangdong (CN)

(73) Assignee: **AUTEL ROBOTICS CO., LTD.**,
Shenzhen, Guangdong (CN)

(**) Term: **15 Years**

(21) Appl. No.: **29/608,400**

(22) Filed: **Jun. 21, 2017**

(30) **Foreign Application Priority Data**

Feb. 27, 2017 (CN) 2017 3 0052266

(51) **LOC (11) Cl.** **16-05**

(52) **U.S. Cl.**
USPC **D16/242**

(58) **Field of Classification Search**
USPC D16/237, 242
CPC F16M 11/041; F16M 11/105; F16M 11/18;
F16M 11/2014; F16M 11/2021; F16M
11/06; F16M 11/08; F16M 11/10; F16M
11/20; F16M 11/2007; F16M 11/2028;
F16M 11/2035; F16M 2200/08; F16M
13/04; F16M 13/02; F16M 13/06; F16M
11/00; F16M 11/14; F16M 13/00; F16M
13/005; F16M 2201/00; G01C 21/18;
G03B 17/561

See application file for complete search history.

(56) **References Cited**

U.S. PATENT DOCUMENTS

7,446,813 B2 * 11/2008 Nakamoto H04N 5/2259
348/151
7,459,834 B2 * 12/2008 Knowles H01L 41/0993
310/323.02
7,465,050 B2 * 12/2008 Migliaccio A61B 3/113
351/209
D731,579 S * 6/2015 Bart D16/203
D751,624 S * 3/2016 Minn D16/242
9,348,197 B2 * 5/2016 Lewis G03B 17/561
9,521,301 B2 * 12/2016 Bart H04N 5/2252
9,765,925 B2 * 9/2017 Lewis F16M 11/2064
D814,549 S * 4/2018 Carnevali D16/242
9,952,485 B1 * 4/2018 Luski G03B 17/561

* cited by examiner

Primary Examiner — Antoine Duval Davis

(74) *Attorney, Agent, or Firm* — Ladas & Parry LLP

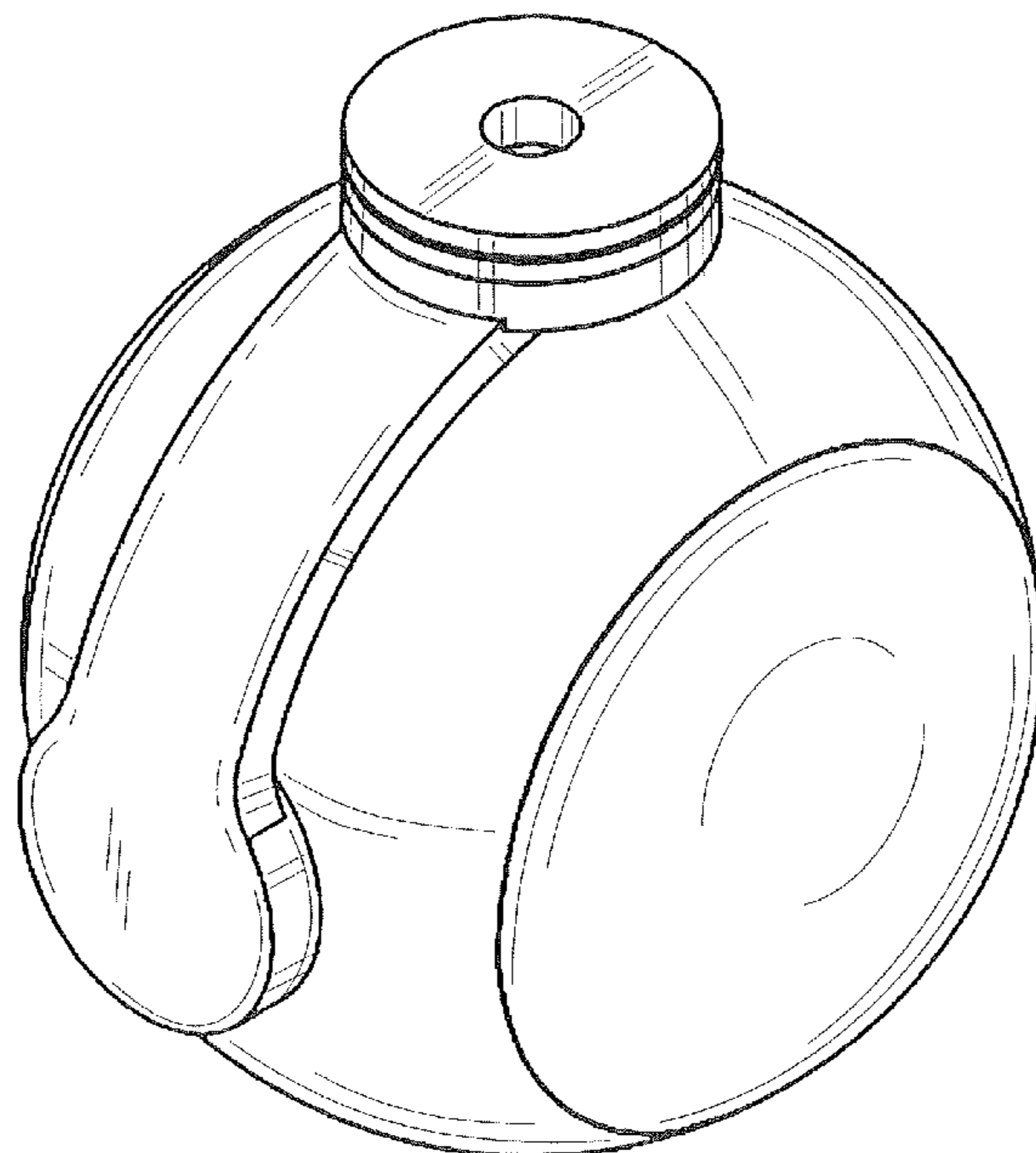
(57) **CLAIM**

The ornamental design for a gimbal, as shown and described.

DESCRIPTION

FIG. 1 is a perspective view from the front, left side and above of the gimbal embodying our new design;
 FIG. 2 is a front elevational view thereof;
 FIG. 3 is a rear elevational view thereof;
 FIG. 4 is a left side elevational view thereof;
 FIG. 5 is a right side elevational view thereof;
 FIG. 6 is a top plan view thereof; and,
 FIG. 7 is a bottom plan view thereof.

1 Claim, 7 Drawing Sheets



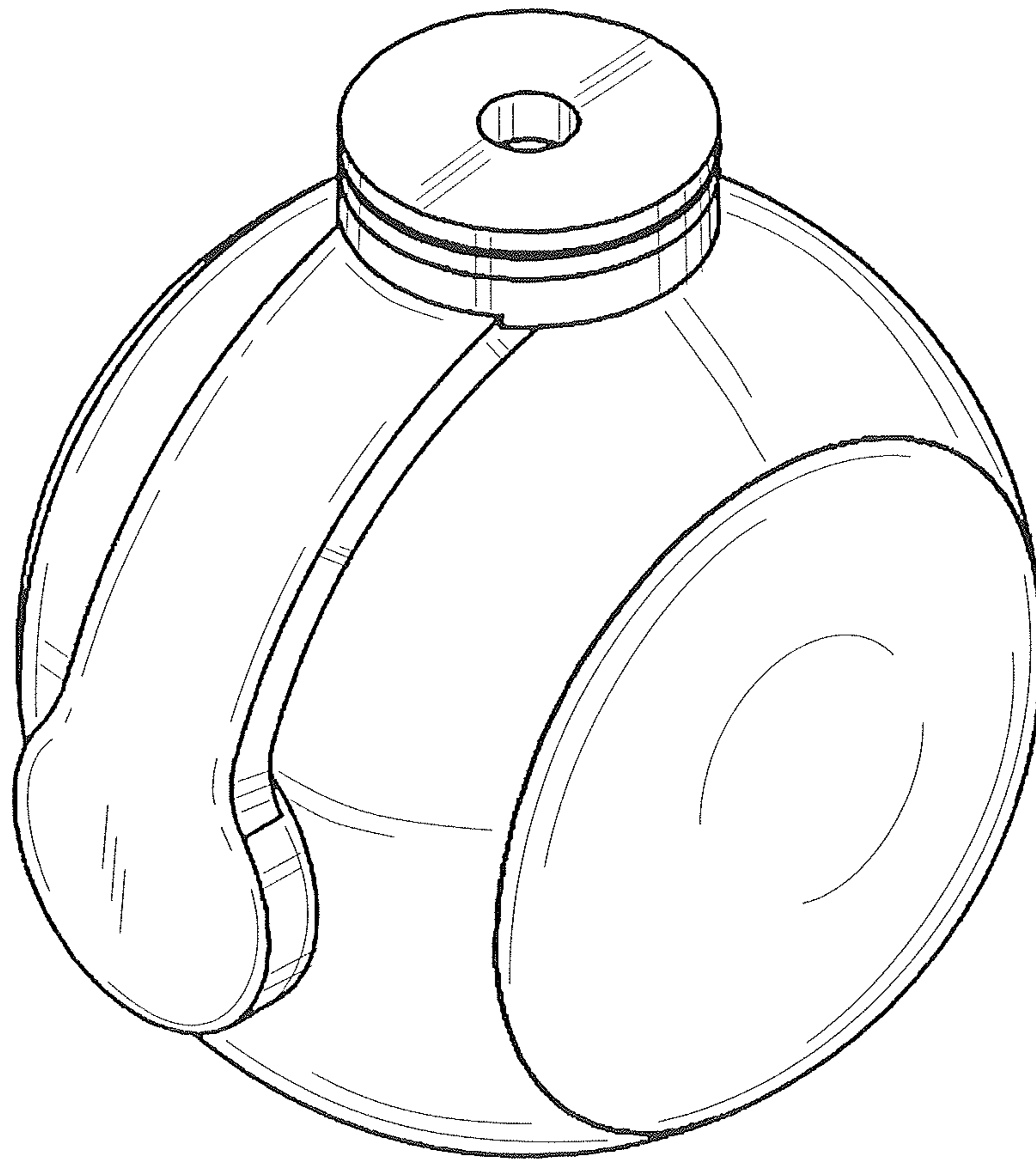


FIG. 1

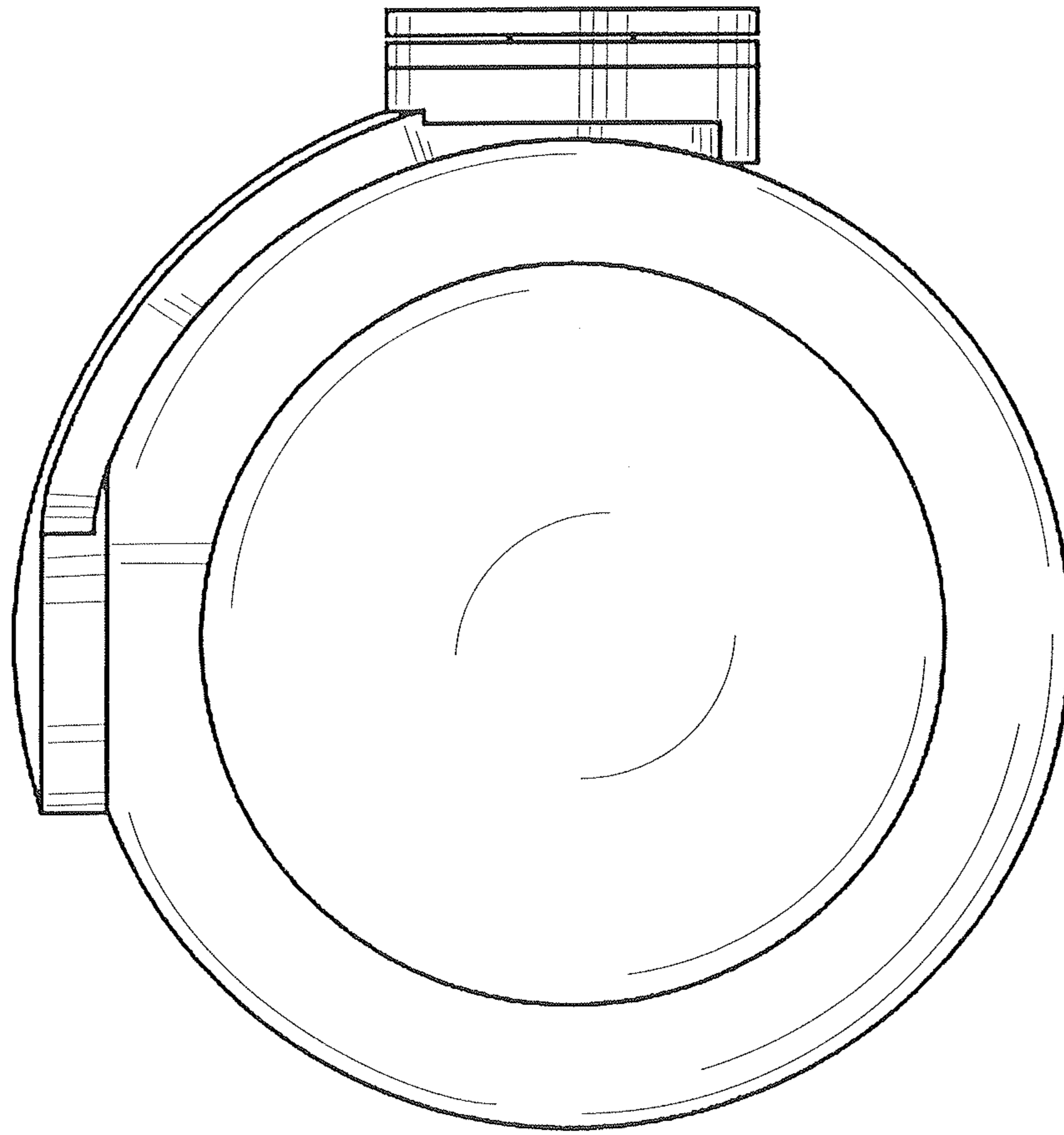


FIG. 2

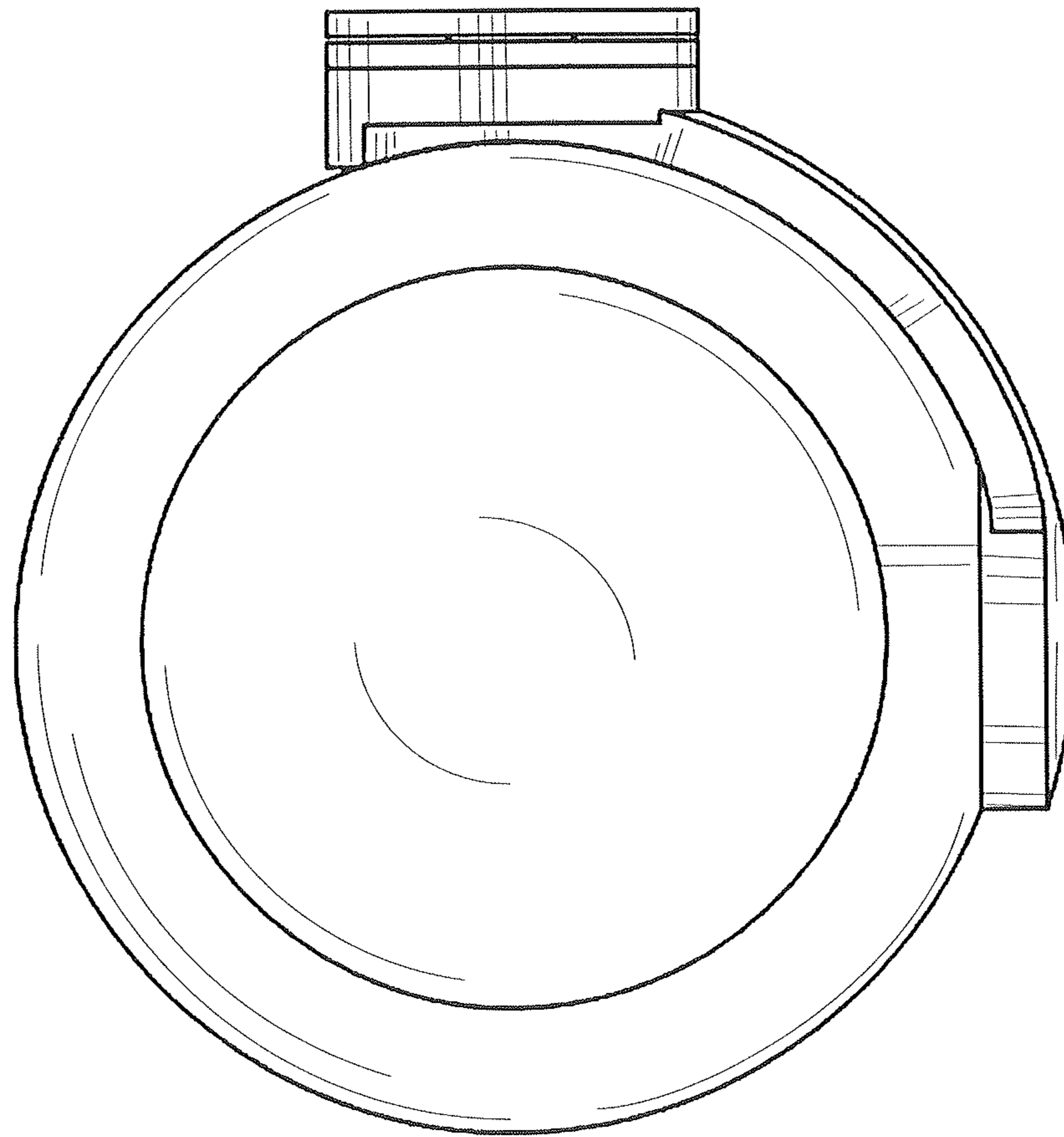


FIG. 3

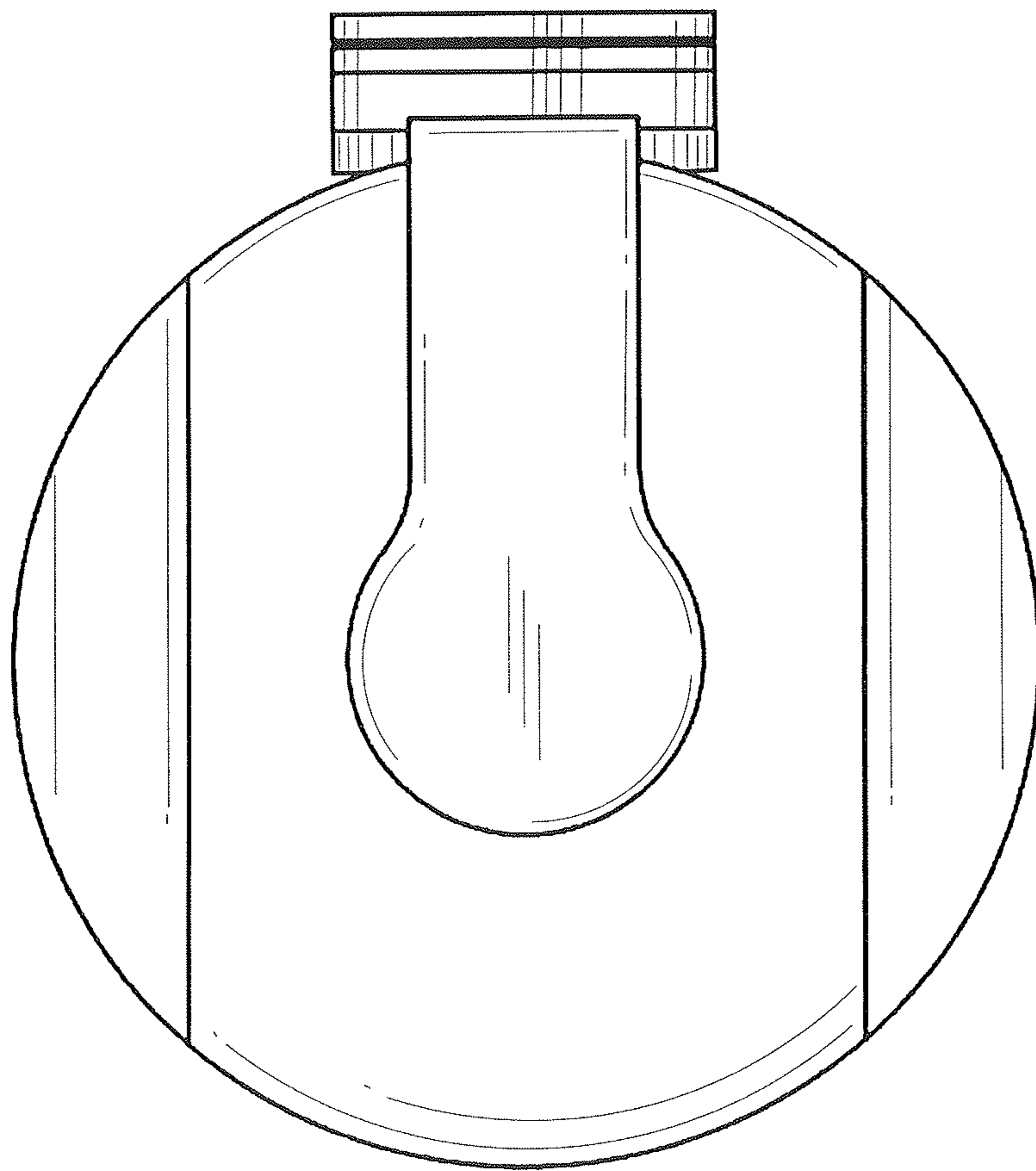


FIG. 4

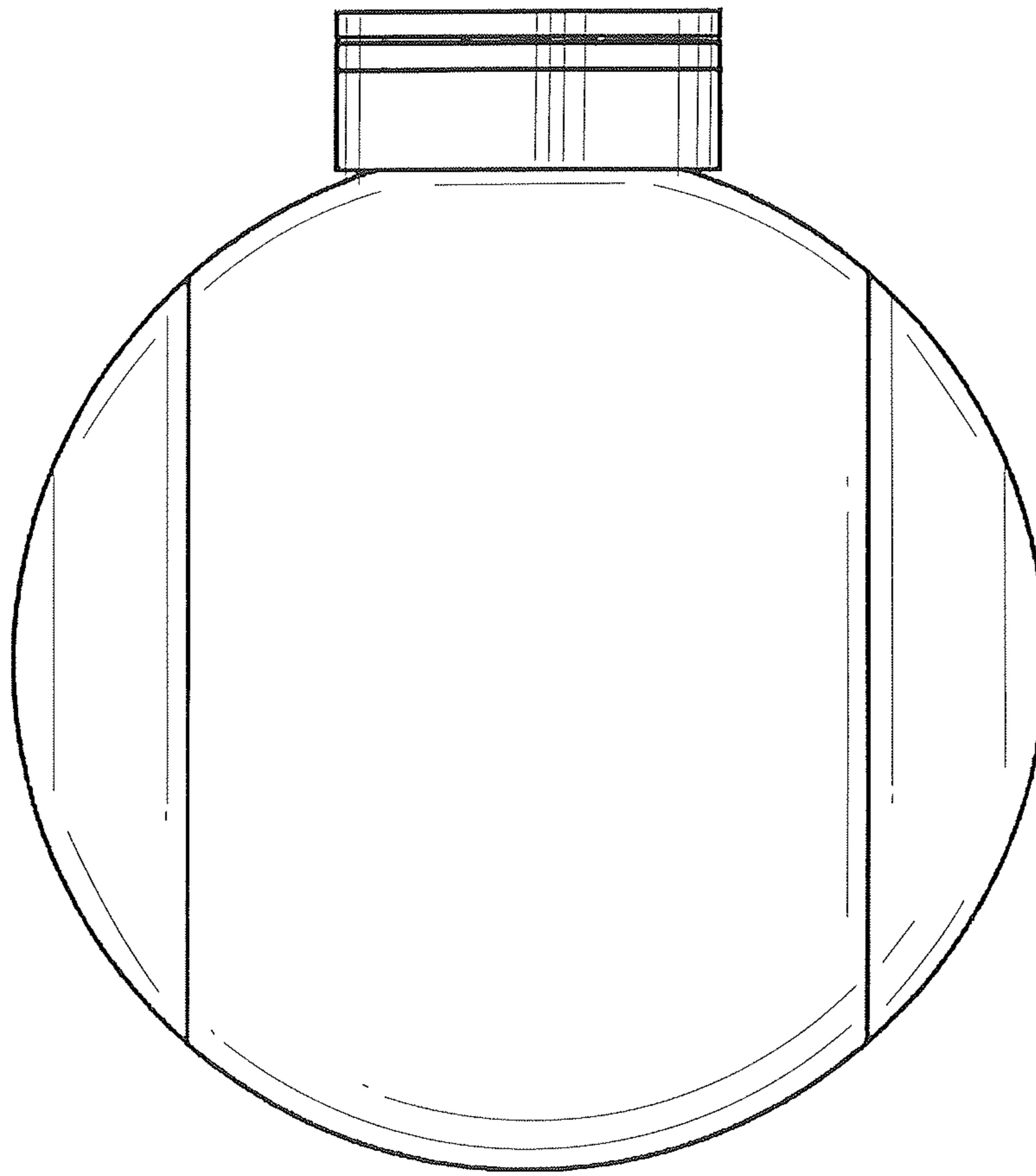


FIG. 5

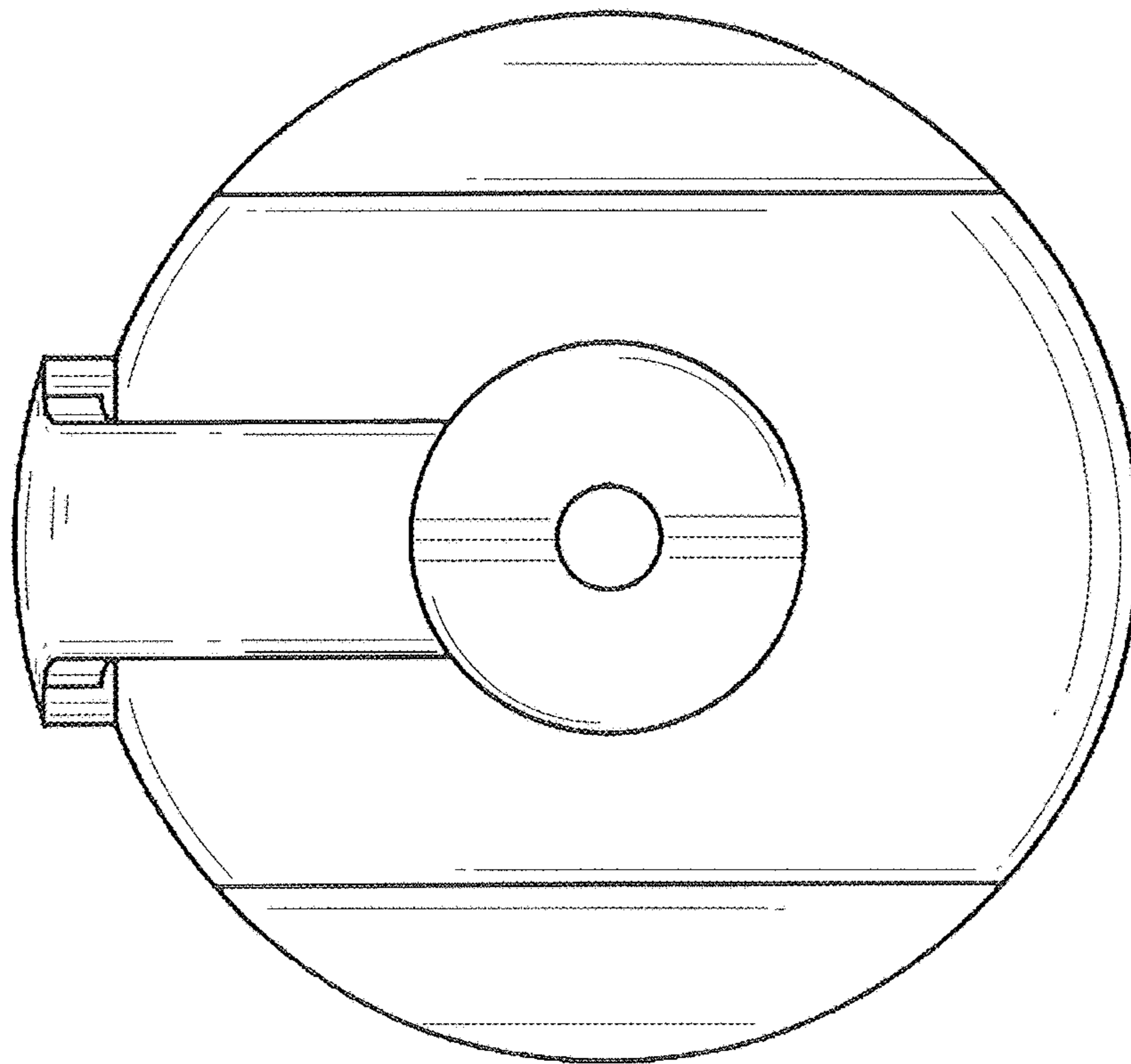


FIG. 6

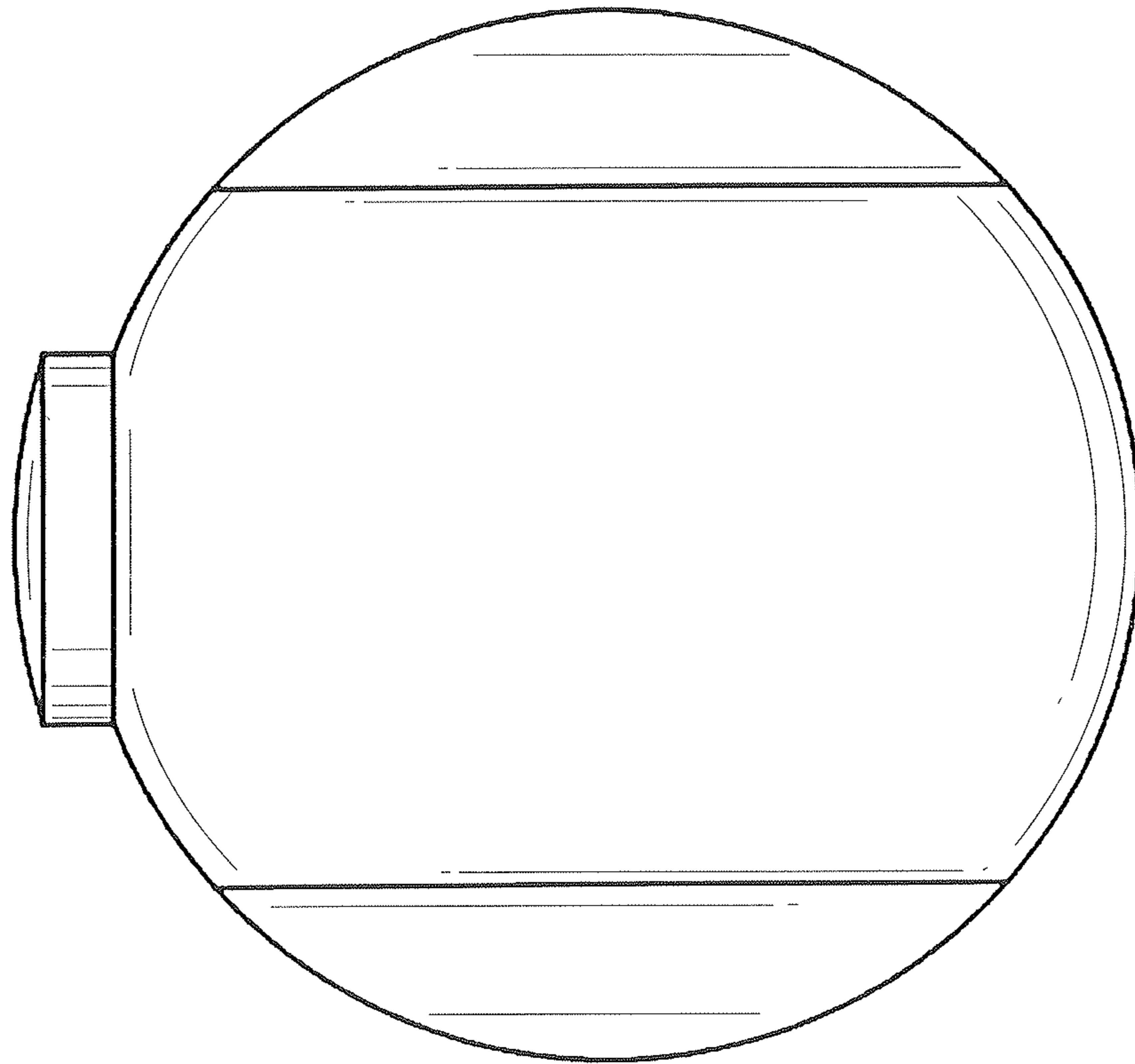


FIG. 7