



US00D827696S

(12) **United States Design Patent**
Crow et al.

(10) **Patent No.:** **US D827,696 S**
(45) **Date of Patent:** **** Sep. 4, 2018**

(54) **CAMERA HOUSING**

(71) Applicant: **GoPro, Inc.**, San Mateo, CA (US)

(72) Inventors: **Kielan Crow**, San Francisco, CA (US);
Alexander Wroblewski, Santa Clara, CA (US); **Joseph Chun**, El Dorado Hills, CA (US); **Himay Rashmikant Shukla**, San Mateo, CA (US);
Seungheon Lee, Cupertino, CA (US)

(73) Assignee: **GoPro, Inc.**, San Mateo, CA (US)

(**) Term: **15 Years**

(21) Appl. No.: **29/573,647**

(22) Filed: **Aug. 9, 2016**

(51) **LOC (11) Cl.** **16-05**

(52) **U.S. Cl.**
USPC **D16/242**

(58) **Field of Classification Search**
USPC D8/354-355, 394-395; D14/217, 251,
D14/253, 434; D16/200, 204, 214, 219,
D16/235, 237-250
CPC G03B 17/56; G03B 17/561-17/568; G03B
15/03; G03B 17/02; G03B 17/03; G03B
17/04; G03B 17/14; G02B 7/00-7/002;
H04N 5/225; H04N 5/232
See application file for complete search history.

(56) **References Cited**

U.S. PATENT DOCUMENTS

D265,829 S *	8/1982	Shimoda	D16/204
D298,760 S *	11/1988	Yoshida	D16/242
D349,126 S *	7/1994	Lee	16/231
5,738,321 A *	4/1998	Moriyasu	G11B 31/006 248/274.1
D724,637 S *	3/2015	Samuels	D16/200
D750,146 S *	2/2016	Costa	D16/200
9,360,742 B1 *	6/2016	Harrison	G03B 17/561

D768,752 S *	10/2016	Silver	D16/237
D776,741 S *	1/2017	Parfitt	D16/204
D785,696 S *	5/2017	Parfitt	D16/242
D785,697 S *	5/2017	Costa	D16/242
9,880,451 B2 *	1/2018	Clearman	G03B 17/561
2007/0071423 A1 *	3/2007	Fantone	G03B 17/08 396/27

2014/0185853 A1 7/2014 Aihara
(Continued)

OTHER PUBLICATIONS

Google Express |GoPro Karma Harness for HERO4 Black/Silver Camera—AGFHA-001 , first reviewed on Mar. 17, 2017, © 2018 Google [online], [site visited Mar. 16, 2018]. Available from Internet, <URL: <https://goo.gl/huqSGv>>.*

(Continued)

Primary Examiner — Philip S Hyder

Assistant Examiner — Cary M Robinson

(74) *Attorney, Agent, or Firm* — Young Basile Hanlon & MacFarlane, P.C.

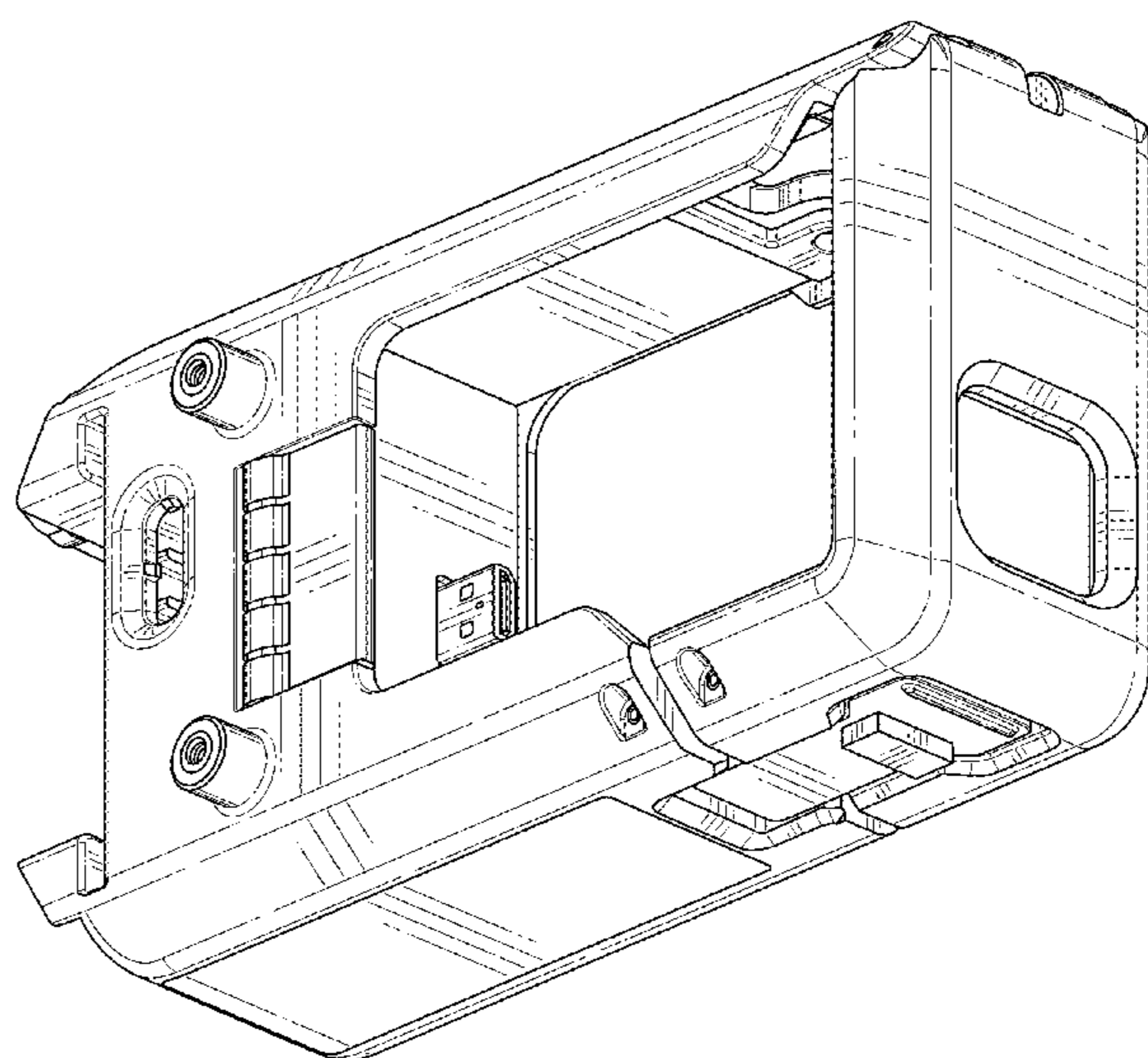
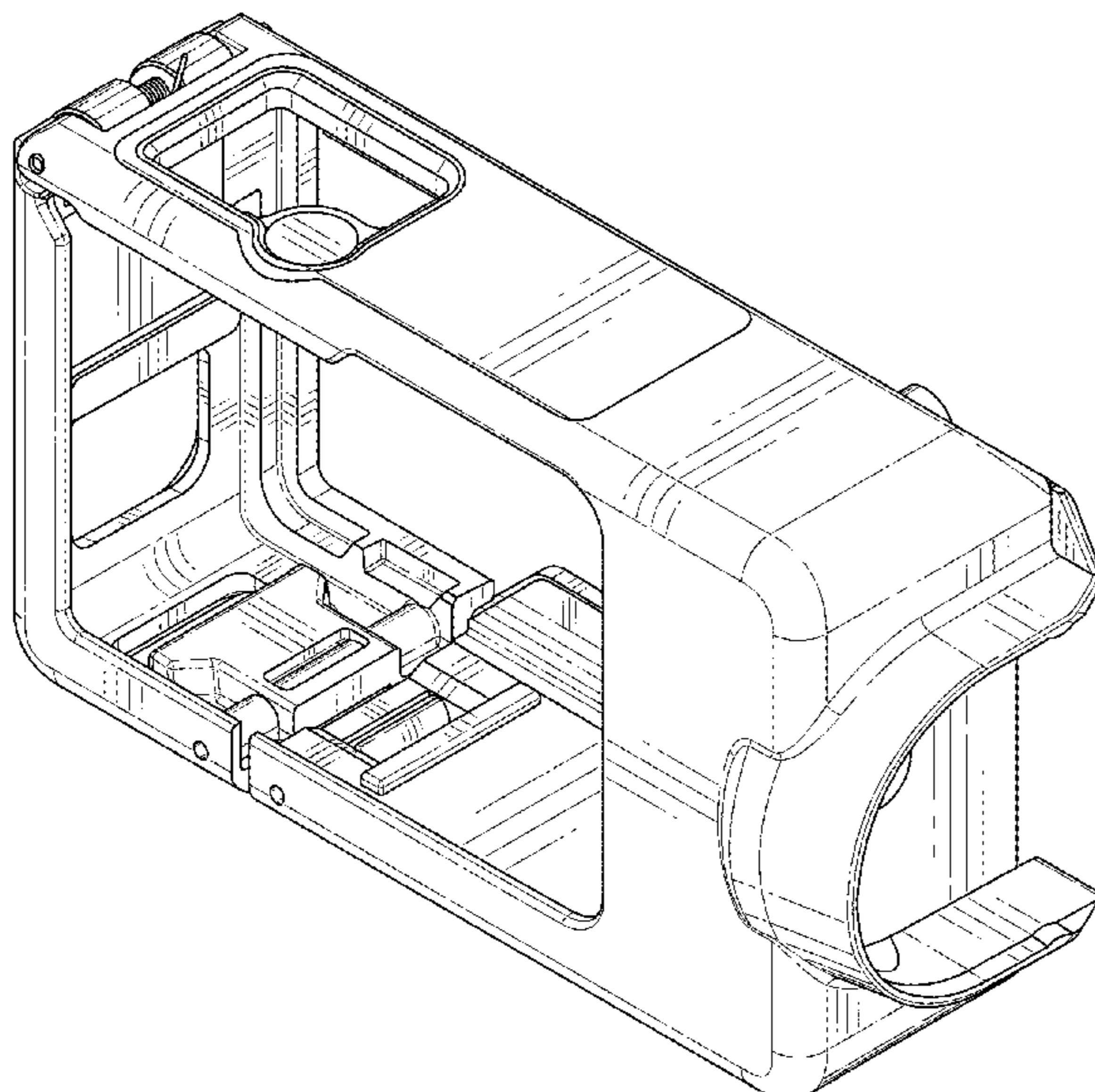
(57) **CLAIM**

The ornamental design for a camera housing, as shown and described.

DESCRIPTION

FIG. 1 is a front, top, and right perspective view of a camera housing;
FIG. 2 is a rear, bottom, and left perspective view thereof;
FIG. 3 is a rear, bottom, and right perspective view thereof;
FIG. 4 is a front, top, and left perspective view thereof;
FIG. 5 is a front view thereof;
FIG. 6 is a rear view thereof;
FIG. 7 is a left view thereof;
FIG. 8 is a right view thereof;
FIG. 9 is a top view thereof; and,
FIG. 10 is a bottom view thereof.

1 Claim, 10 Drawing Sheets



(56)

References Cited

U.S. PATENT DOCUMENTS

2014/0198932 A1 7/2014 Parkins
2015/0326748 A1* 11/2015 Tisch H04R 3/005
348/231.4
2016/0004142 A1* 1/2016 Zhang G03B 17/08
396/535
2016/0100083 A1* 4/2016 Harrison H04N 5/2252
348/373
2017/0059967 A1* 3/2017 Harrison G03B 17/561

OTHER PUBLICATIONS

GoPro | Shop | Mounts & Accessories, posted on Nov. 16, 2017, © 2018 GoPro, Inc. [online], [site visited Mar. 16, 2018]. Available from Internet, <URL: <https://shop.gopro.com/mounts-accessories/>>.*

Linxv | Action Camera Accessories | Action Camera Strap, posted on Jun. 4, 2016, © 2012 Avada [online], [site visited Mar. 16, 2018]. Available from Internet, <URL: <http://www.linxv.com/action-camera-accessories/action-camera-strap/>>.*

* cited by examiner

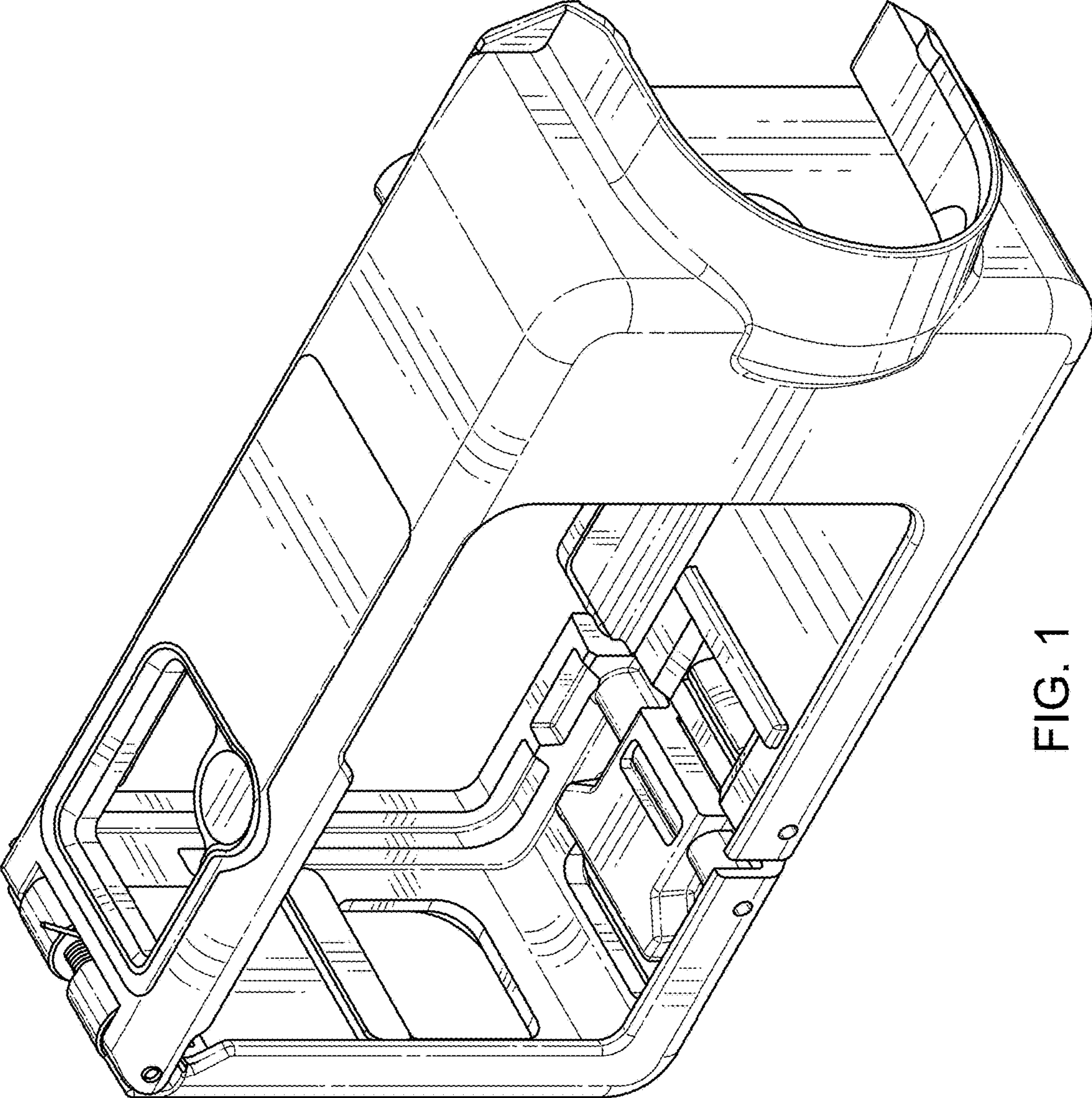


FIG. 1

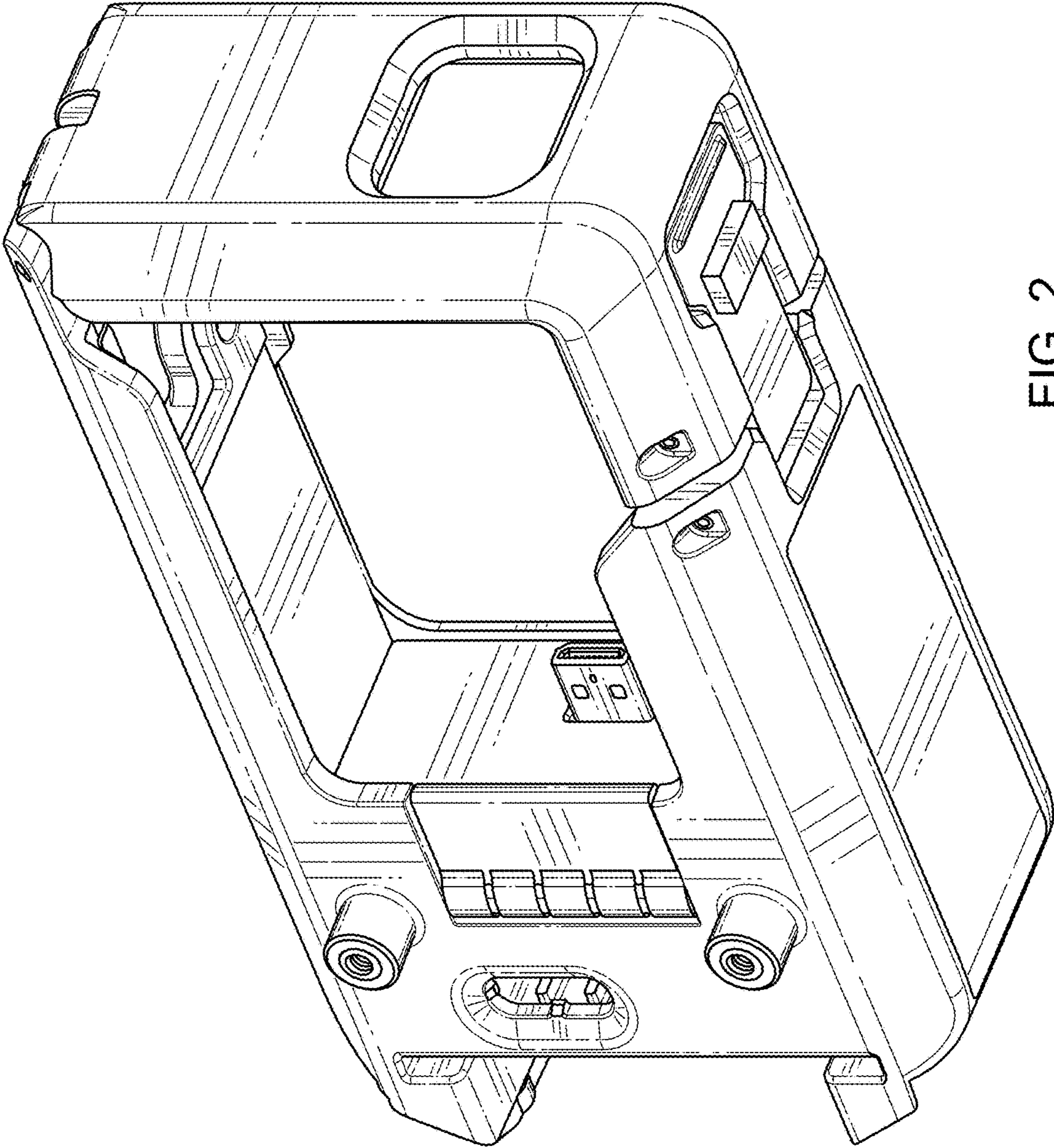


FIG. 2

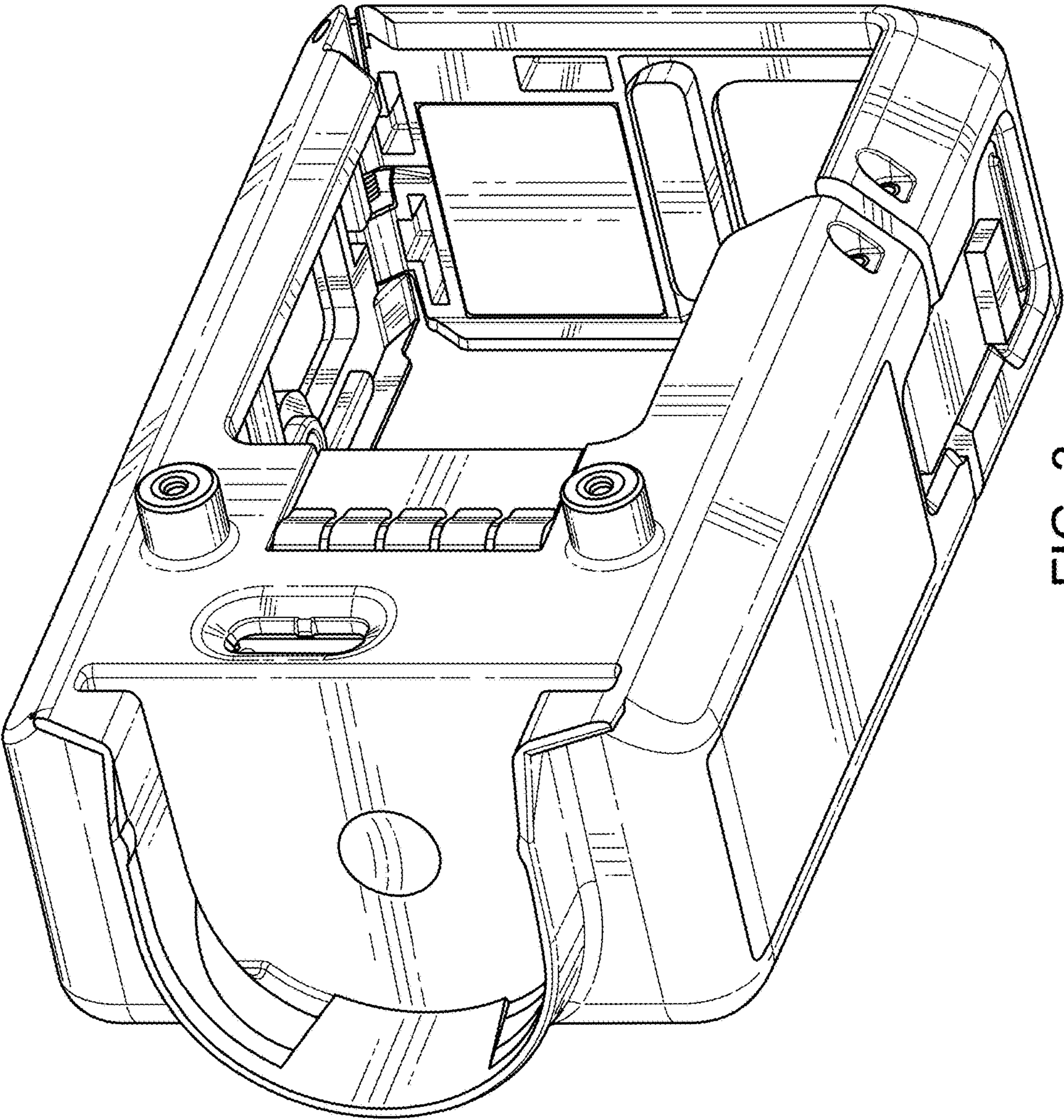


FIG. 3

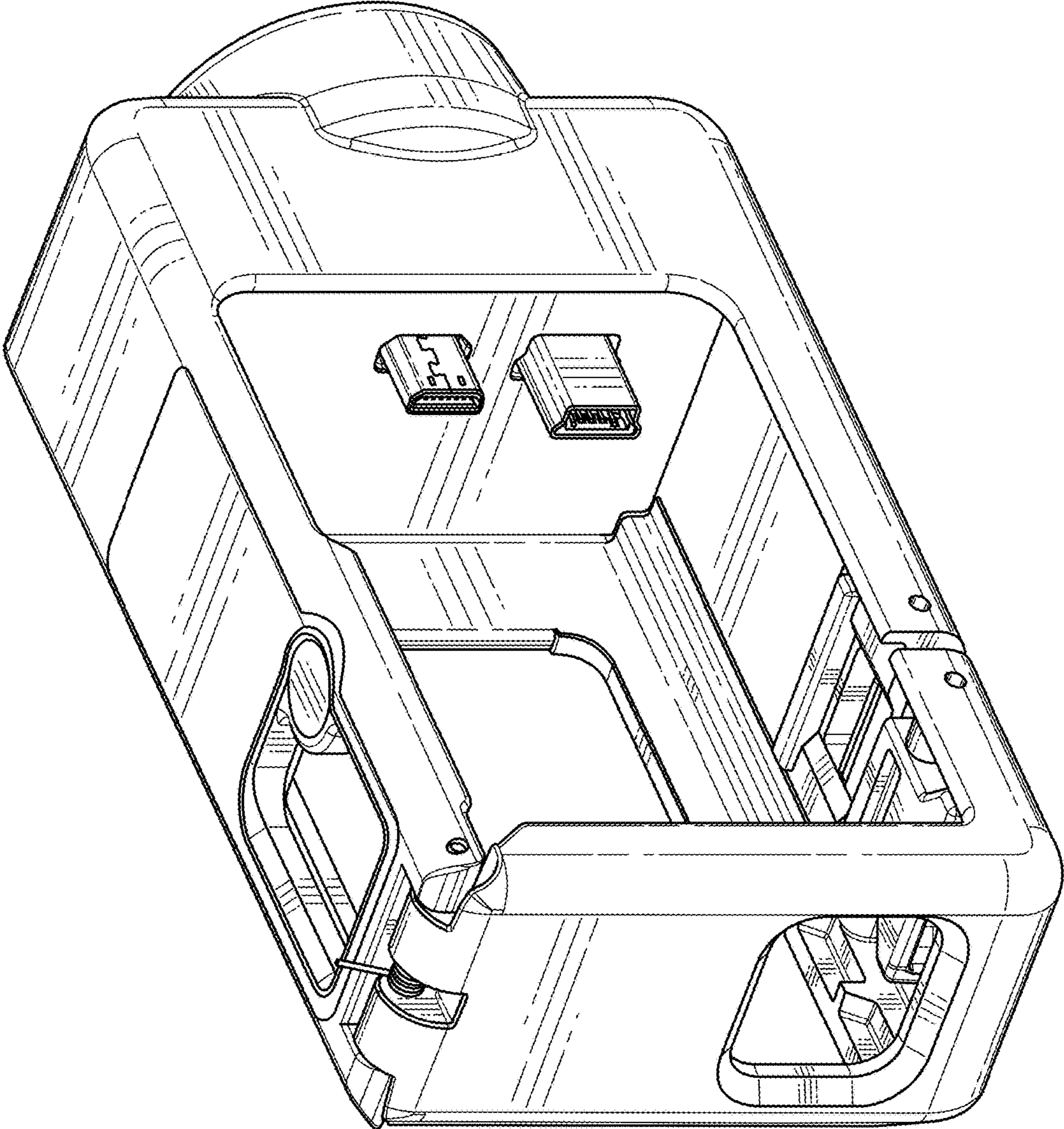


FIG. 4

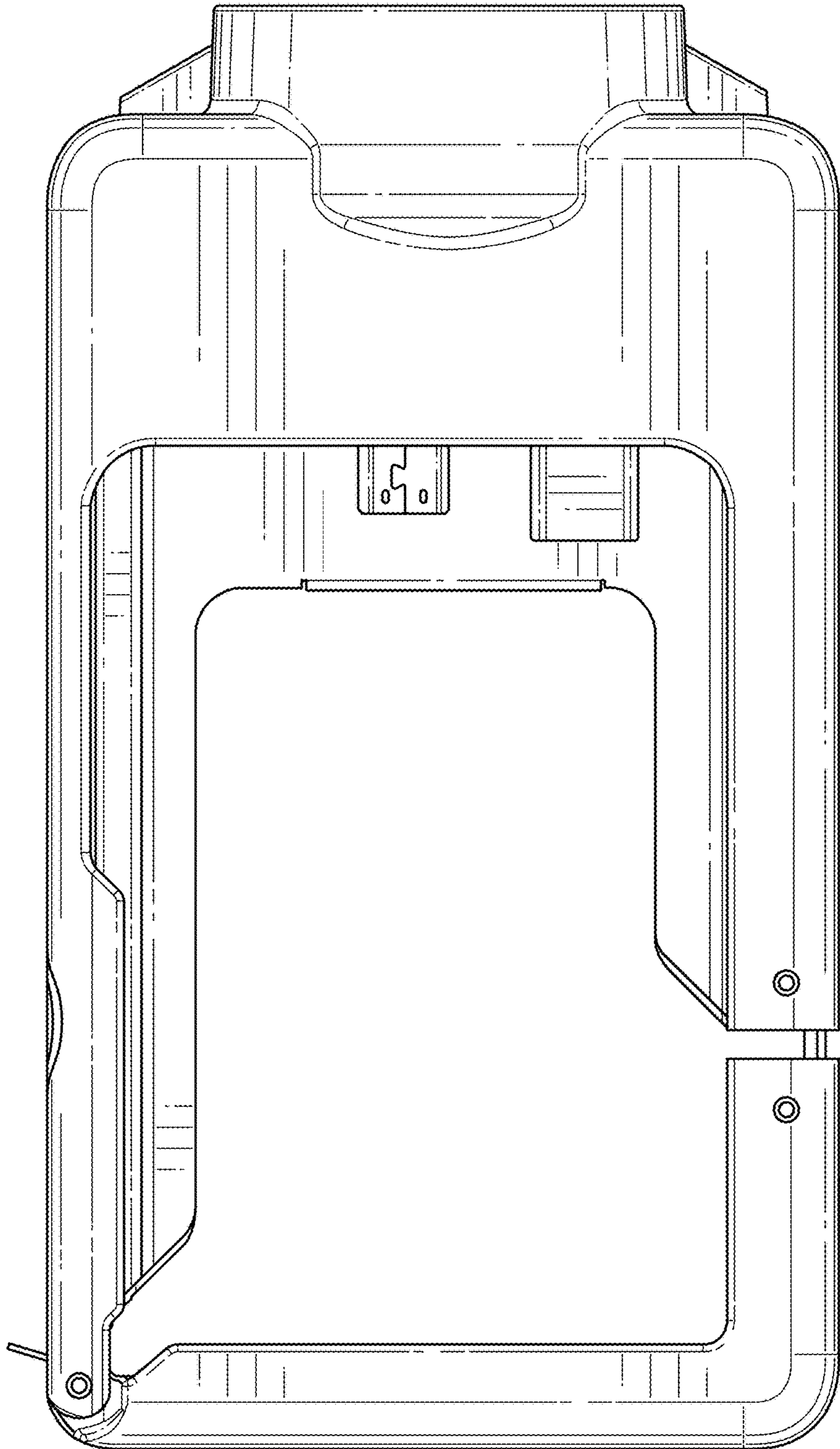


FIG. 5

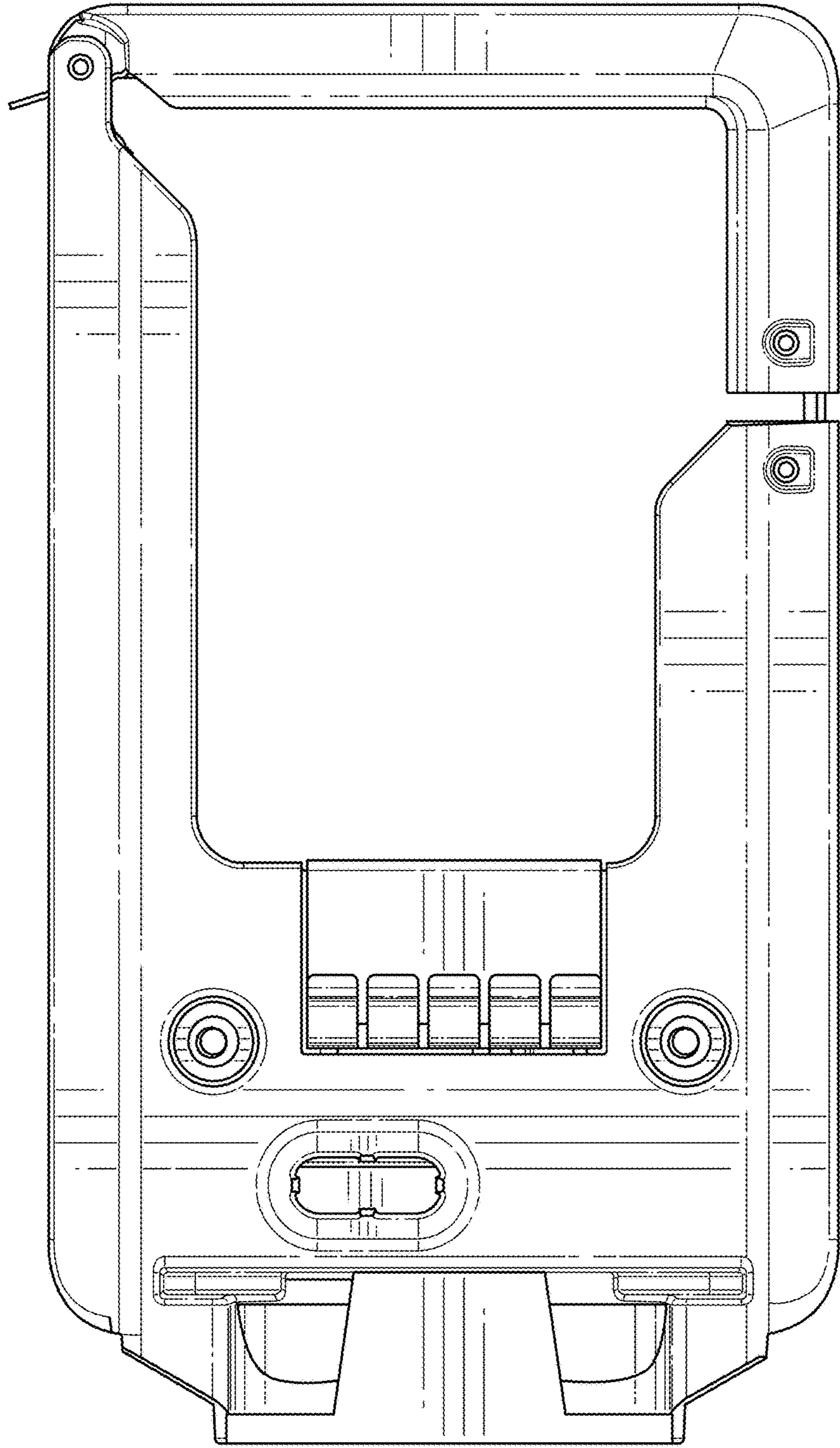


FIG. 6

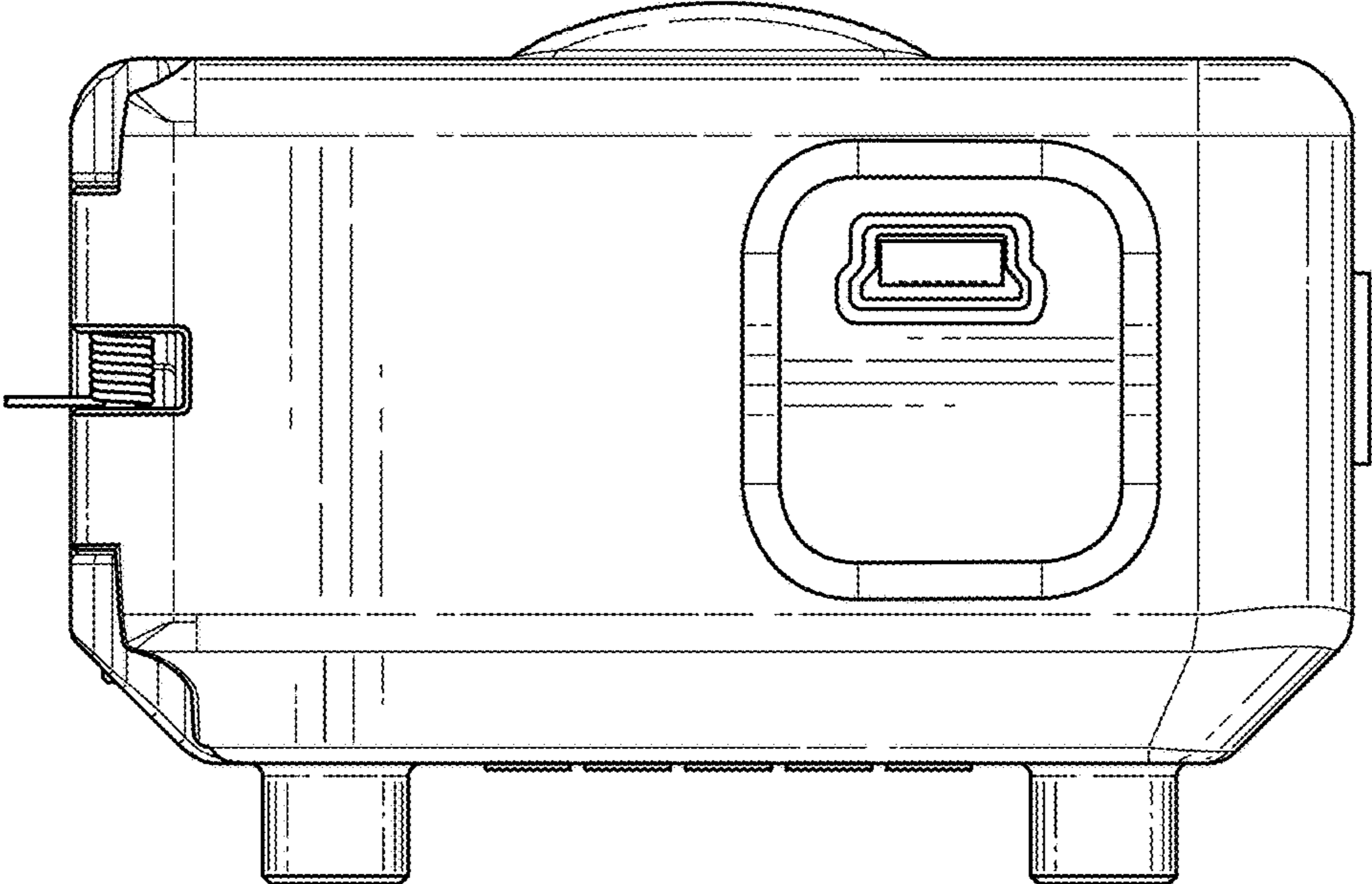


FIG. 7

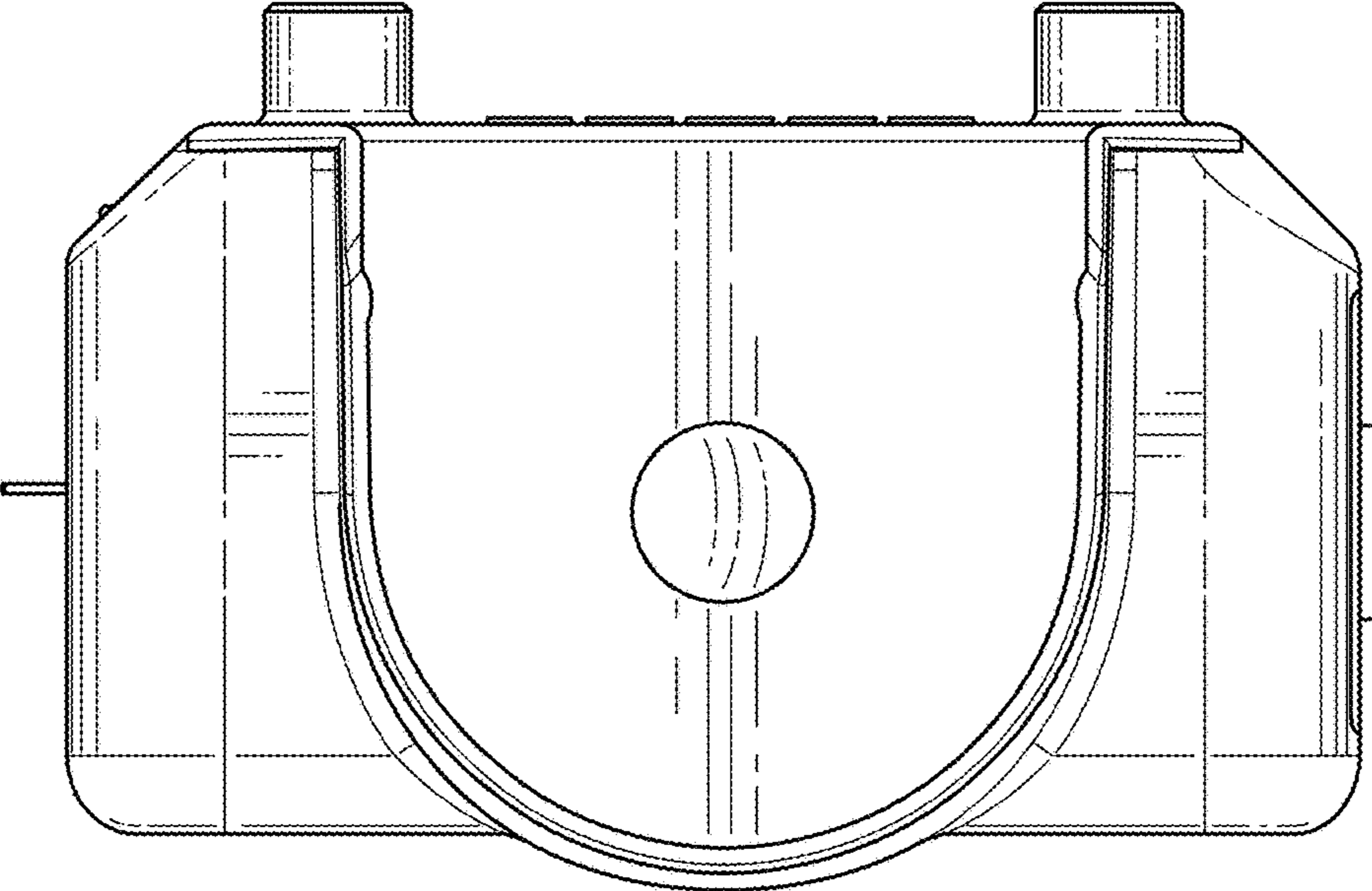


FIG. 8

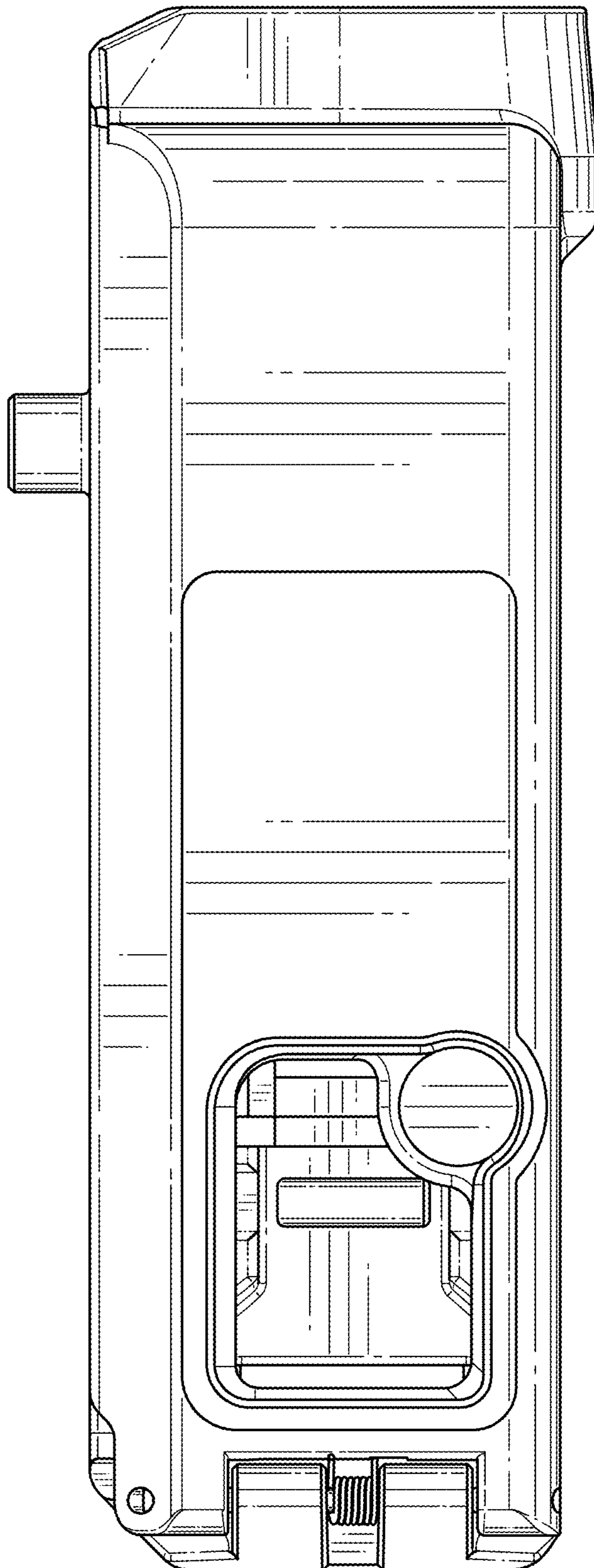


FIG. 9

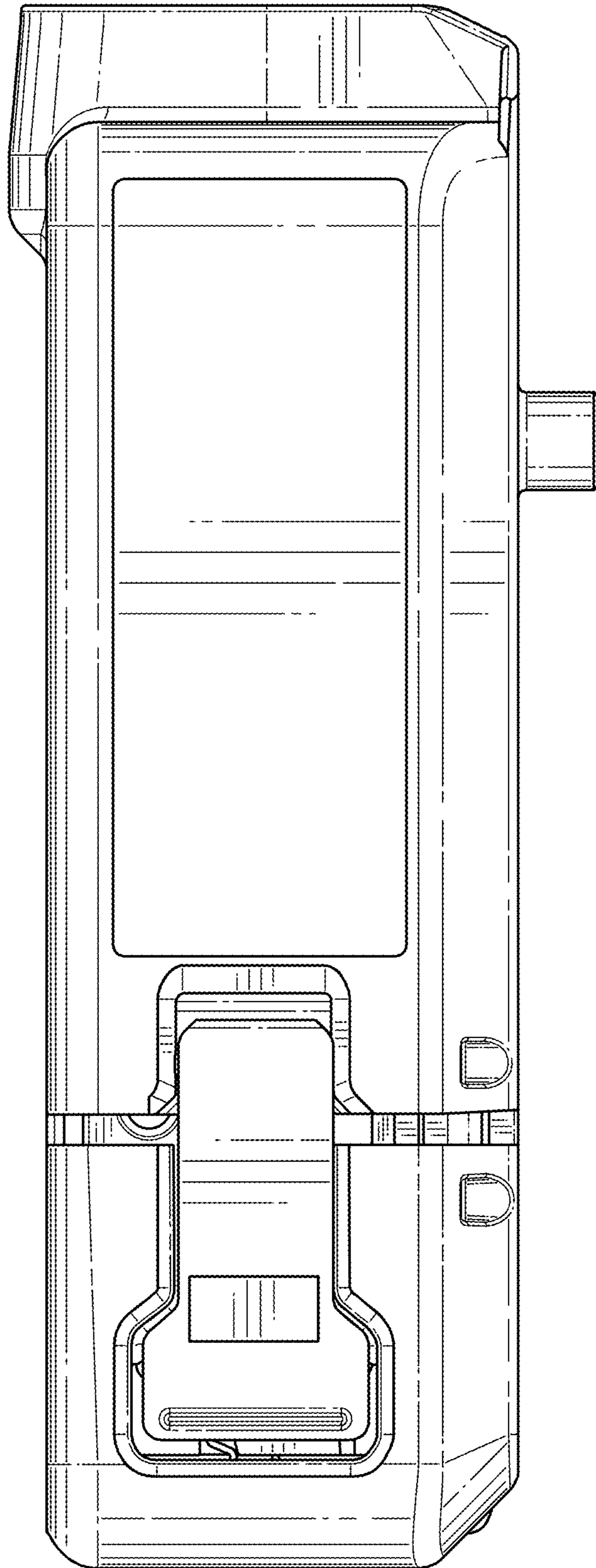


FIG. 10