



US00D827695S

(12) **United States Design Patent**  
**Rettig et al.**

(10) **Patent No.:** **US D827,695 S**

(45) **Date of Patent:** **\*\* Sep. 4, 2018**

(54) **BUMPER CASE**

(71) Applicant: **DRONES LATAM SRL**, Montevideo (UY)

(72) Inventors: **Alejandro Rettig**, Montevideo (UY);  
**Ianai Urwicz**, Montevideo (UY);  
**German Zuccoli**, Montevideo (UY)

(73) Assignee: **DRONES LATAM S.R.L.**, Montevideo (UY)

(\*\*) Term: **15 Years**

(21) Appl. No.: **29/569,649**

(22) Filed: **Jun. 29, 2016**

(51) **LOC (11) Cl.** ..... **16-05**

(52) **U.S. Cl.**  
USPC ..... **D16/242**

(58) **Field of Classification Search**

USPC ..... D16/208, 213–219, 235, 237–250;  
D14/217, 218, 229, 250–253; D8/363,  
D8/373, 394; D26/67, 68

CPC ..... G03B 17/02–17/04; G03B 17/14; G03B  
17/56; G03B 17/561–17/568; G03B  
21/20; G02B 7/00–7/002; F16M 11/02;  
F16M 11/04; F16M 11/20; F16M 11/40

See application file for complete search history.

(56) **References Cited**

**U.S. PATENT DOCUMENTS**

D195,310 S \* 5/1963 Zigel ..... D26/70  
D227,848 S \* 7/1973 Schneider ..... D11/157

D401,004 S \* 11/1998 Eusterbrock ..... D26/107  
D624,689 S \* 9/2010 Kao ..... D26/102  
D644,031 S \* 8/2011 Vincent ..... D6/301  
D650,591 S \* 12/2011 Vincent ..... D6/306  
D702,508 S \* 4/2014 Riedel ..... D7/628  
D720,493 S \* 12/2014 Salvadori ..... D26/110  
D743,837 S \* 11/2015 Zand ..... D11/146  
D753,018 S \* 4/2016 Hawkins ..... D11/141  
D753,867 S \* 4/2016 Yin ..... D26/107  
2017/0043882 A1 \* 2/2017 Rettig ..... B64D 47/08

\* cited by examiner

*Primary Examiner* — Garth Rademaker

*Assistant Examiner* — Omeed Agilee

(74) *Attorney, Agent, or Firm* — M&B IP Analysts, LLC

(57) **CLAIM**

We claim the ornamental design for a bumper case, as shown and described.

**DESCRIPTION**

FIG. 1 is a top isometric view of a bumper case showing our new design;

FIG. 2 is a bottom isometric view thereof;

FIG. 3 is a front view thereof;

FIG. 4 is a back view thereof;

FIG. 5 is a right view thereof;

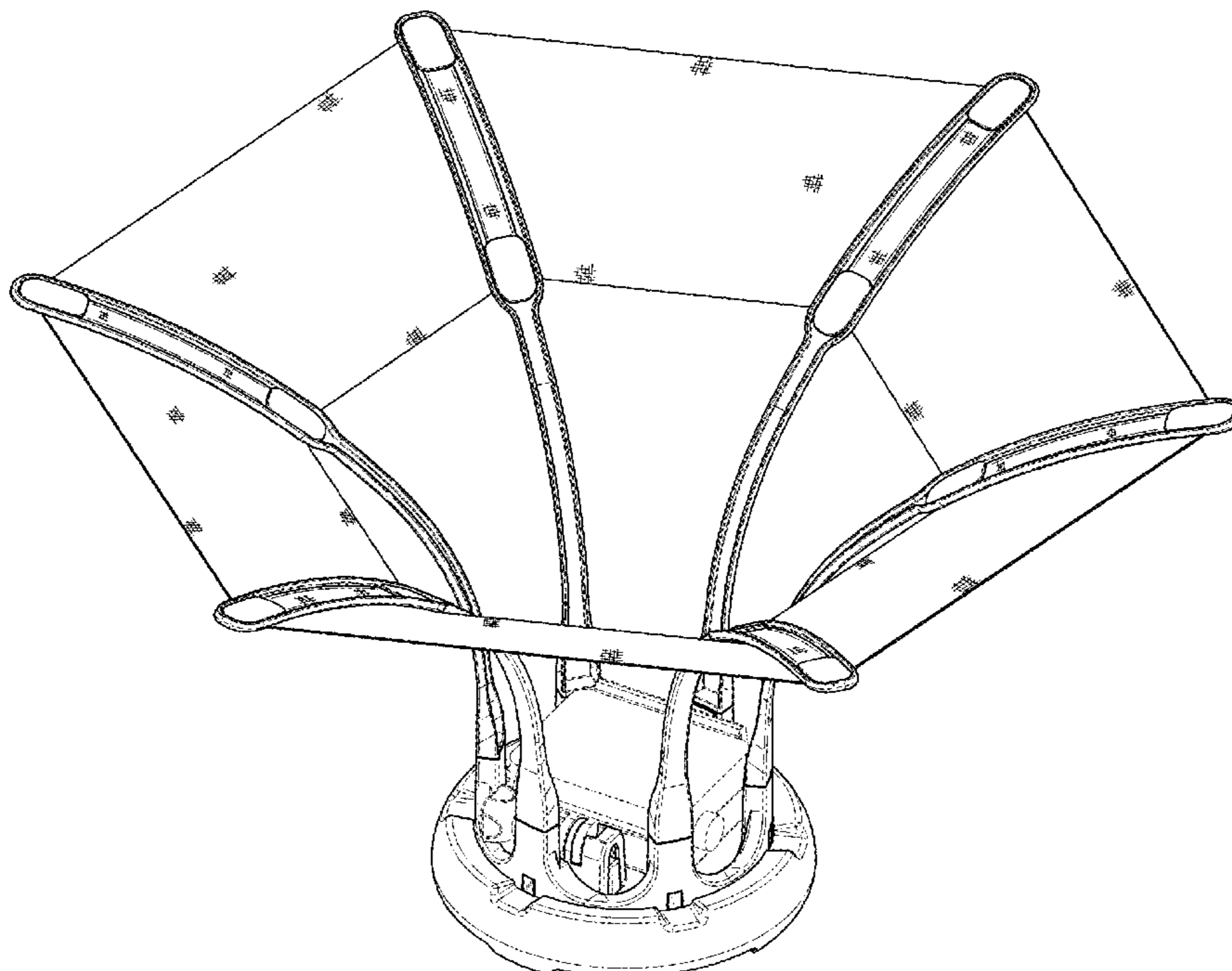
FIG. 6 is a left view thereof;

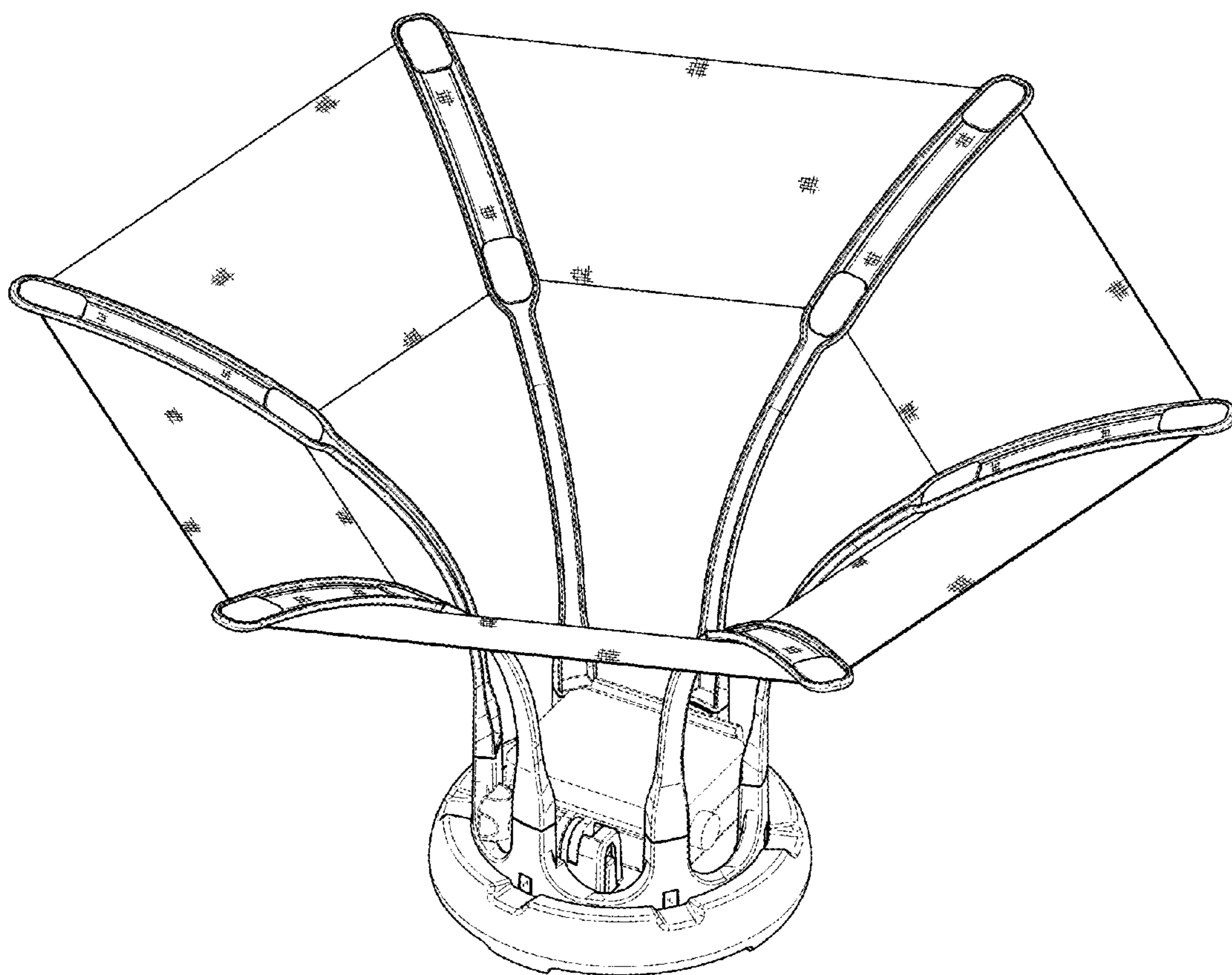
FIG. 7 is a top view thereof; and,

FIG. 8 is a bottom view thereof.

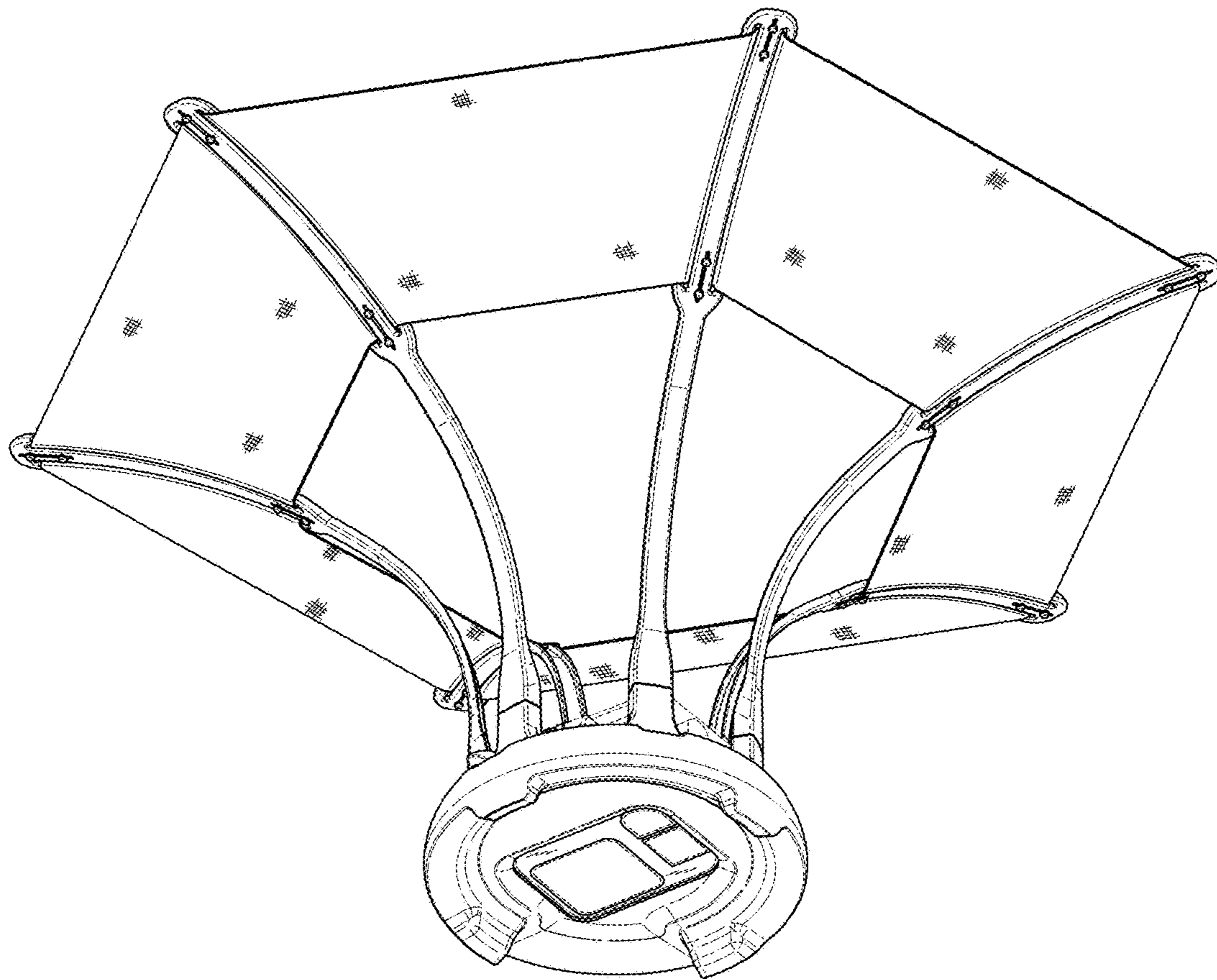
The broken lines in the drawings depict environmental subject matter and form no part of the claimed design.

**1 Claim, 6 Drawing Sheets**



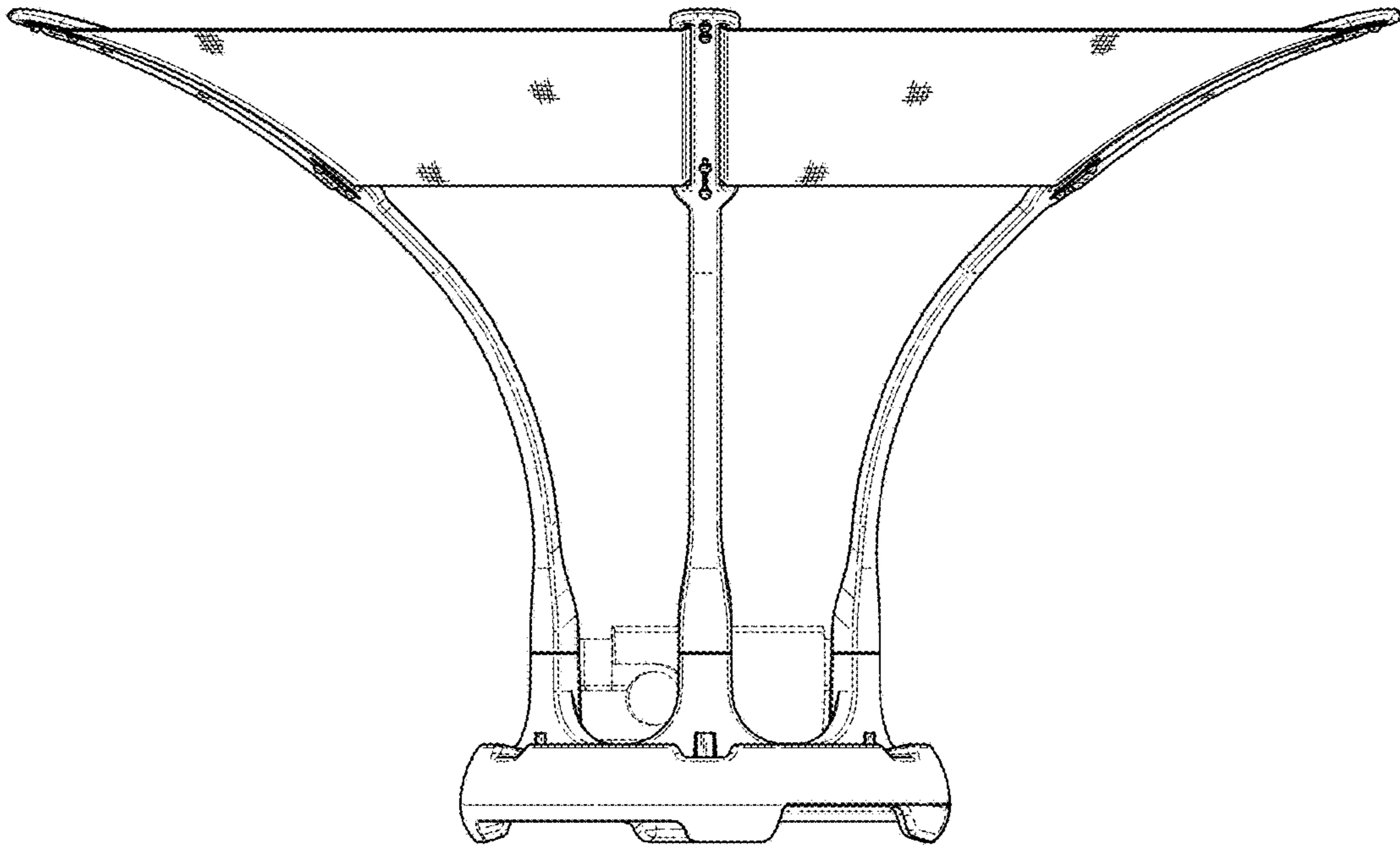


*FIG. 1*

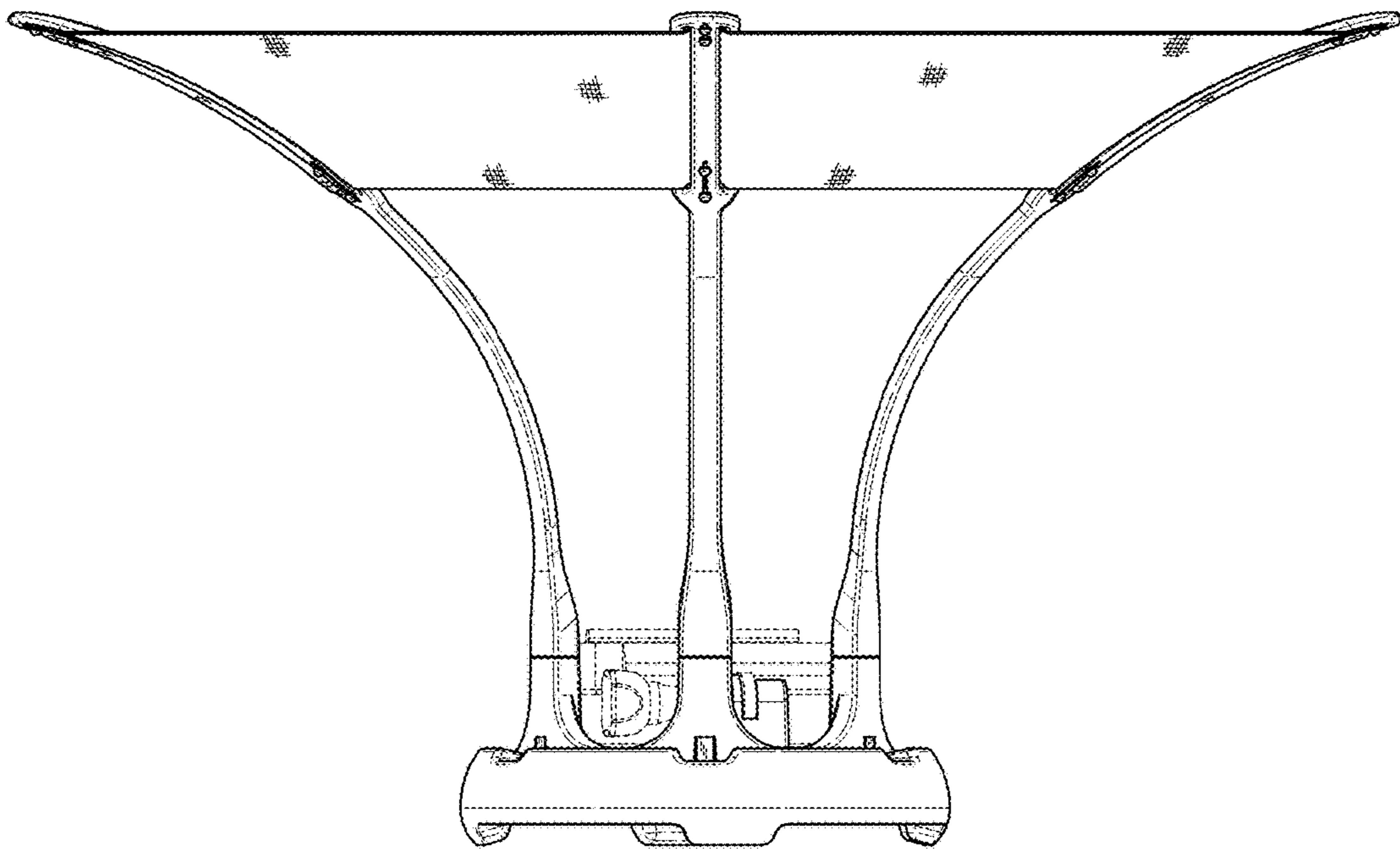


*FIG. 2*

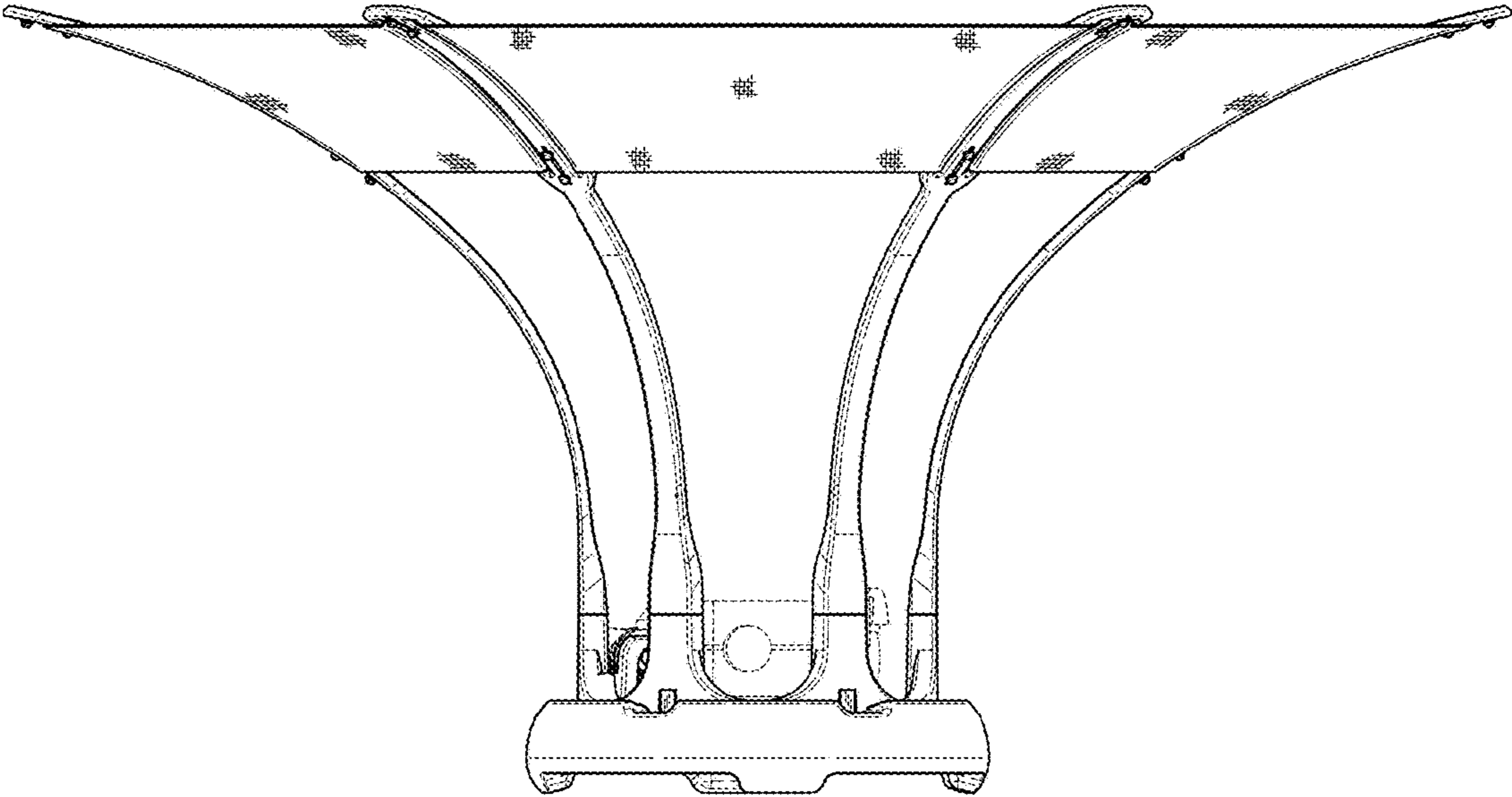




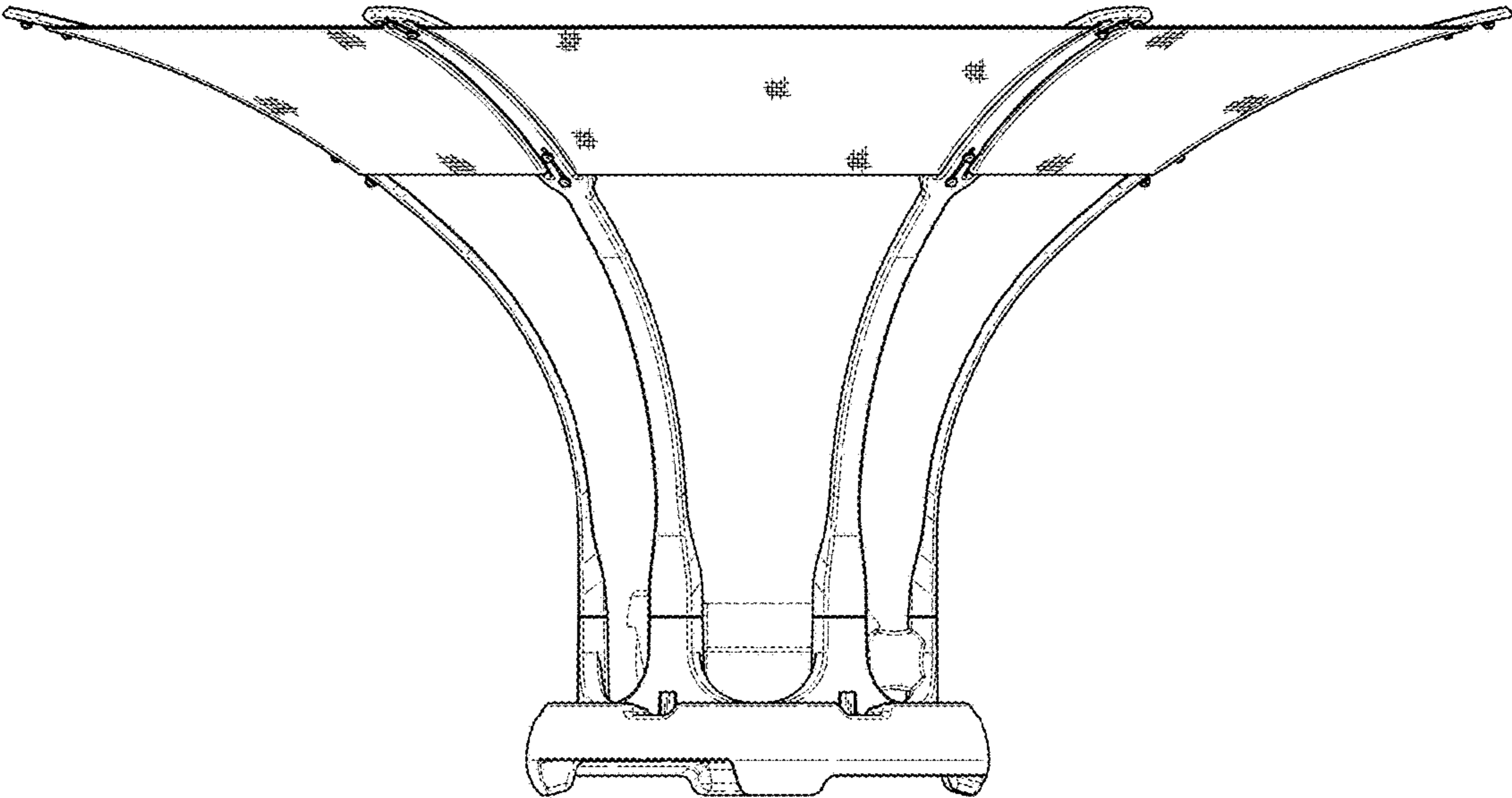
*FIG. 3*



*FIG. 4*



*FIG. 5*



*FIG. 6*

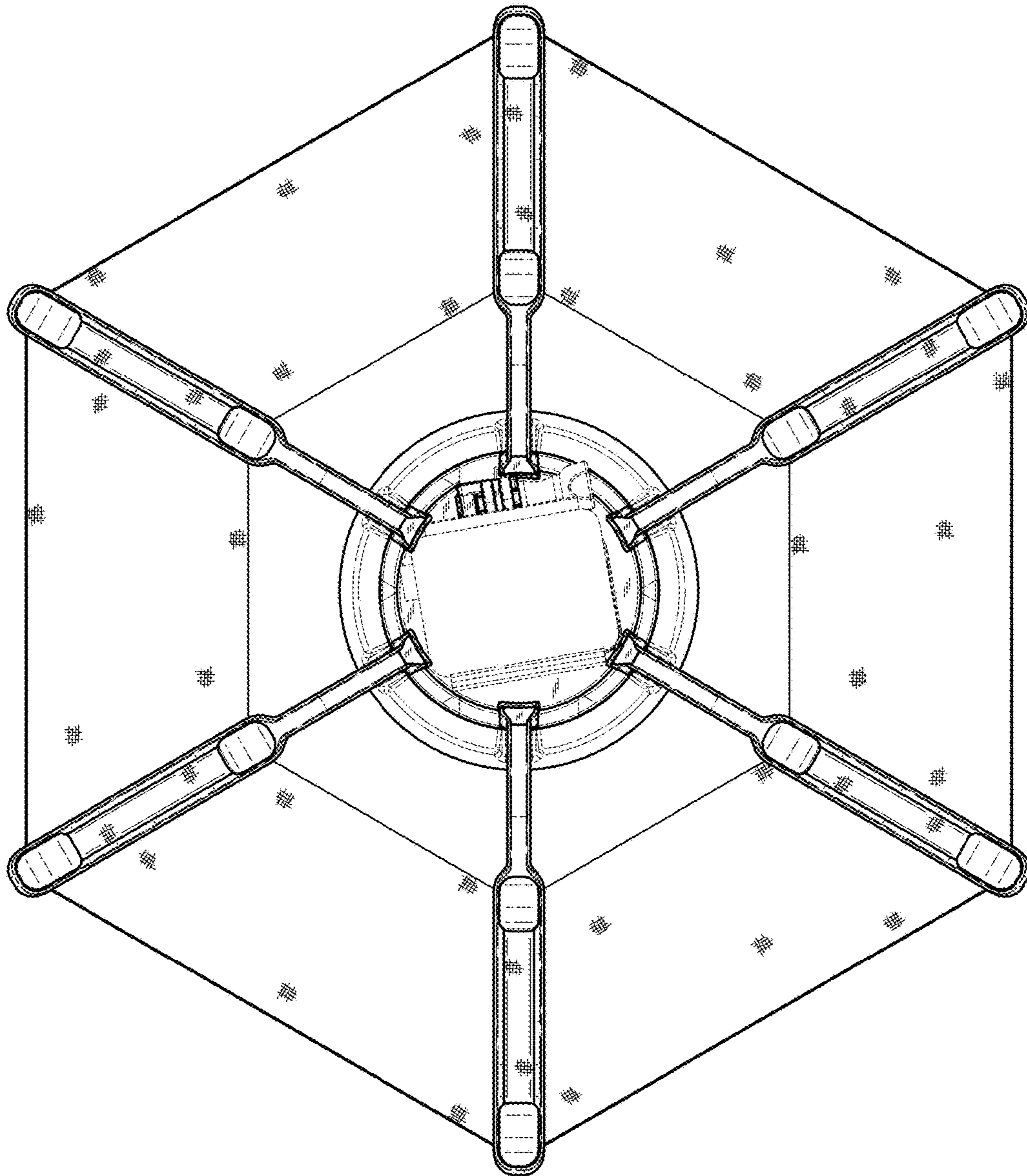


FIG. 7



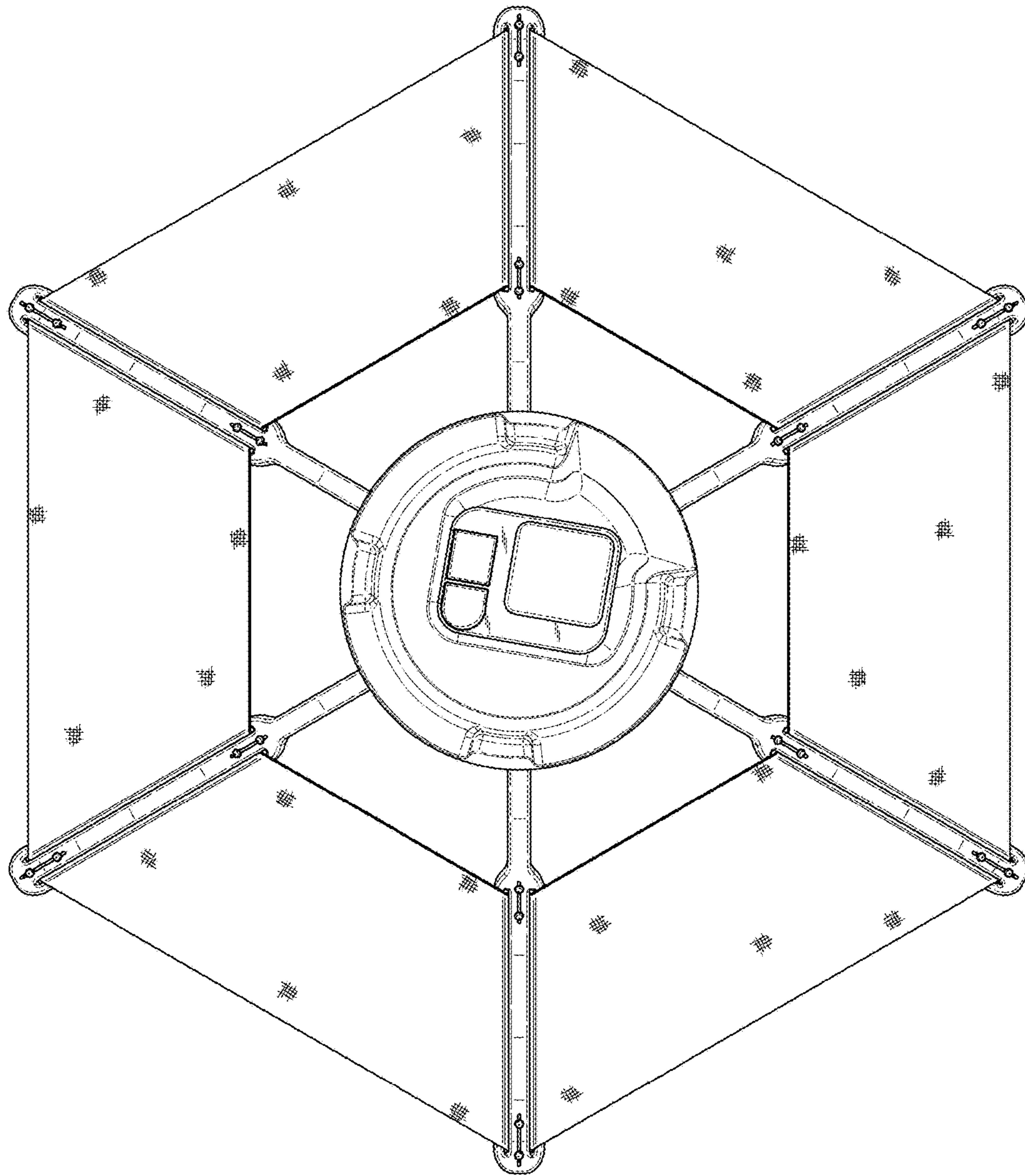


FIG. 8