



US00D827693S

(12) **United States Design Patent** (10) **Patent No.:** **US D827,693 S**  
**Shibuya et al.** (45) **Date of Patent:** **\*\* Sep. 4, 2018**

(54) **PROJECTOR**

FOREIGN PATENT DOCUMENTS

(71) Applicant: **Maxell, Ltd.**, Kyoto (JP)

JP D1566569 \* 3/2016

(72) Inventors: **Shinji Shibuya**, Tokyo (JP); **Nobuyuki Kaku**, Osaka (JP); **Takatsugu Kawabata**, Osaka (JP); **Katsuyuki Watanabe**, Osaka (JP); **Tamaki Iwamiya**, Osaka (JP)

OTHER PUBLICATIONS

Shibuya et al., Design U.S. Appl. No. 29/601,539, filed Apr. 24, 2017.

(Continued)

(73) Assignee: **Maxell, Ltd.**, Kyoto (JP)

*Primary Examiner* — Wan Laymon

(\*\*) Term: **15 Years**

(74) *Attorney, Agent, or Firm* — Crowell & Moring LLP

(21) Appl. No.: **29/607,682**

(22) Filed: **Jun. 15, 2017**

(57) **CLAIM**

(30) **Foreign Application Priority Data**

The ornamental design for a projector, as shown and described.

Dec. 16, 2016 (JP) ..... 2016-027345

(51) **LOC (11) Cl.** ..... **16-02**

(52) **U.S. Cl.**  
USPC ..... **D16/225**

**DESCRIPTION**

(58) **Field of Classification Search**  
USPC ..... D16/221, 225, 229–231, 232, 203, 208;  
D14/423; D21/514; 353/119  
CPC ..... G03B 21/145; G03B 21/14; G03B 21/12;  
G03B 21/001; G03B 21/003; G03B 21/00  
See application file for complete search history.

This application contains subject matter related to the following co-pending U.S. design patent applications: Application Ser. No. 29/607,678, filed herewith and entitled “Projector”; Application Ser. No. 29/601,539, filed Apr. 24, 2017 and entitled “Projector;” and Application Ser. No. 29/601,568, filed Apr. 24, 2017 and entitled “Projector.”

(56) **References Cited**

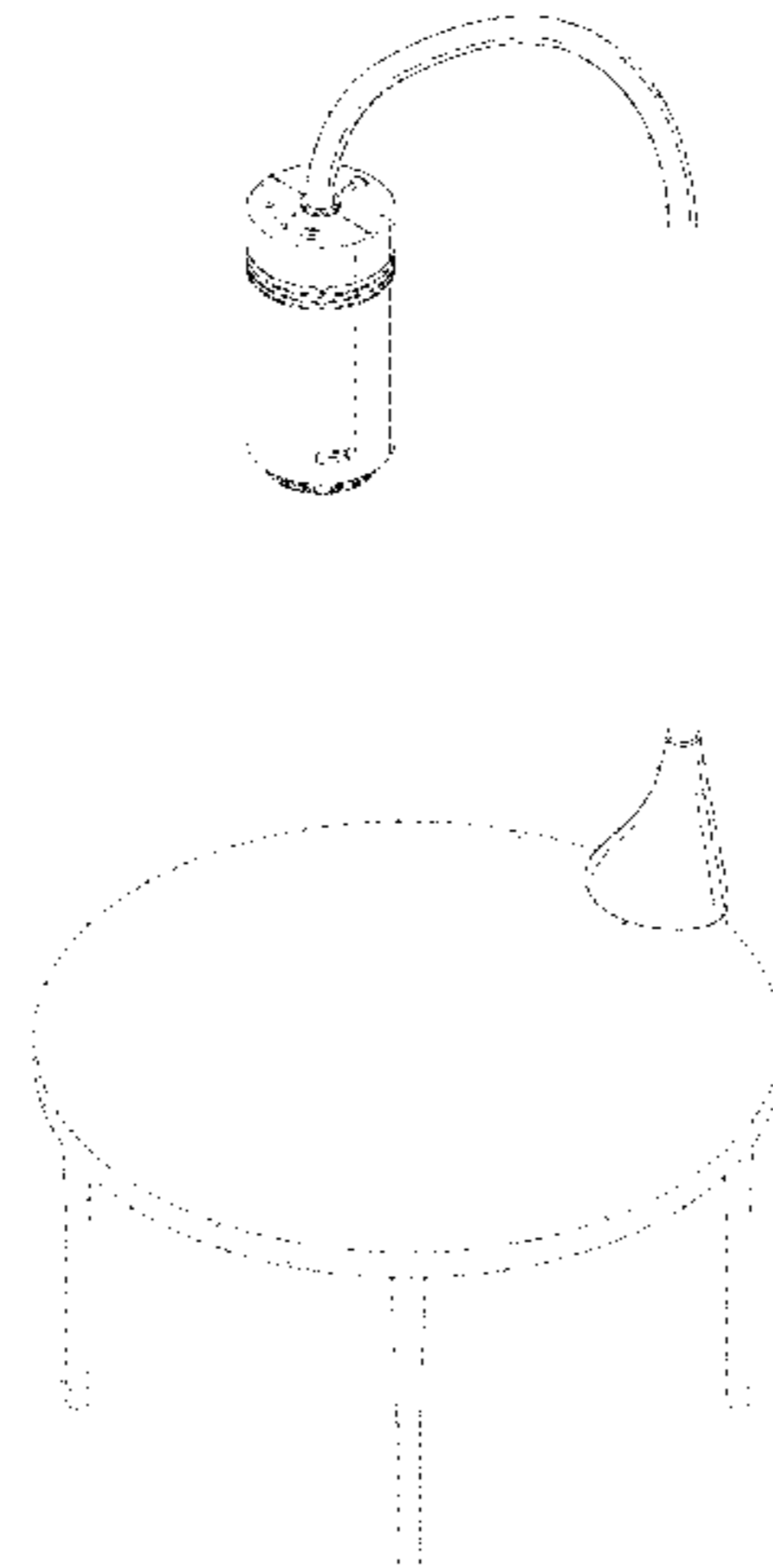
U.S. PATENT DOCUMENTS

D216,839 S \* 3/1970 Rhoades et al. .... D16/221  
D349,713 S \* 8/1994 Hasegawa ..... D16/203  
D364,388 S \* 11/1995 Miyahara ..... D14/423  
6,604,829 B2 \* 8/2003 Rodriguez, Jr. .... G03B 21/145  
348/E5.137  
D518,081 S \* 3/2006 Peard ..... D16/225  
8,002,419 B2 \* 8/2011 Amano ..... G03B 21/10  
353/119  
D764,563 S \* 8/2016 Magi ..... D16/221  
9,491,423 B2 \* 11/2016 Ko ..... G03B 21/145

FIG. 1 is a front, top and right side perspective view of a projector according to the design;  
FIG. 2 is a front elevational view thereof;  
FIG. 3 is a rear elevational view thereof;  
FIG. 4 is a right side elevational view thereof;  
FIG. 5 is a left side elevational view thereof;  
FIG. 6 is a top plan view thereof; and,  
FIG. 7 is a bottom plan view thereof.  
In the drawings, the broken lines depict environmental subject matter only and form no part of the claimed design.

(Continued)

**1 Claim, 6 Drawing Sheets**



(56)

**References Cited**

U.S. PATENT DOCUMENTS

2014/0204347 A1\* 7/2014 Murphy ..... G03B 21/145  
353/57  
2016/0188123 A1\* 6/2016 Fujiune ..... G03B 21/145  
345/156  
2018/0063496 A1\* 3/2018 Kasuga ..... G03B 21/145

OTHER PUBLICATIONS

Shibuya et al., Design U.S. Appl. No. 29/601,568, filed Apr. 24, 2017.

Shibuya et al., Design U.S. Appl. No. 29/607,678, filed Jun. 15, 2017.

\* cited by examiner

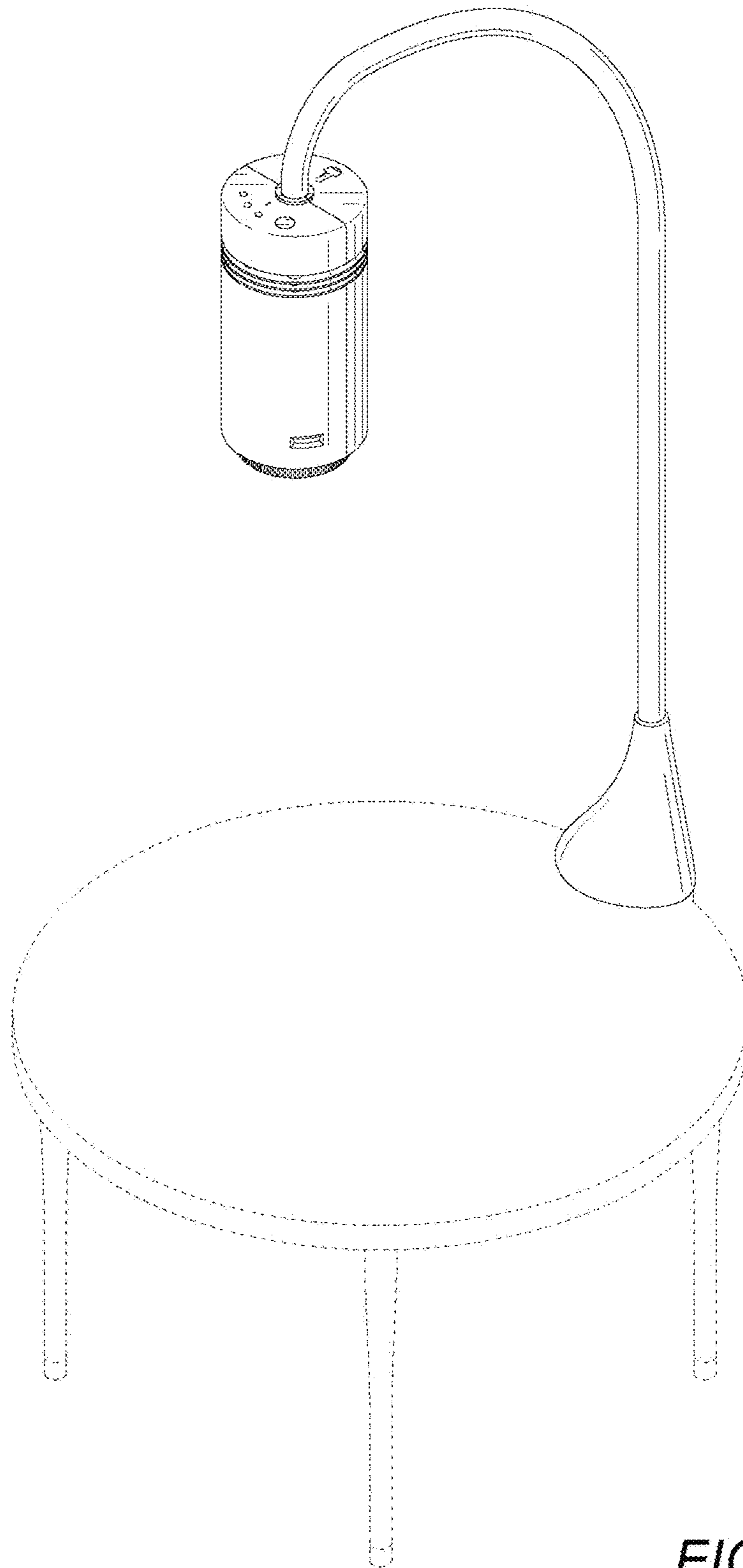


FIG. 1

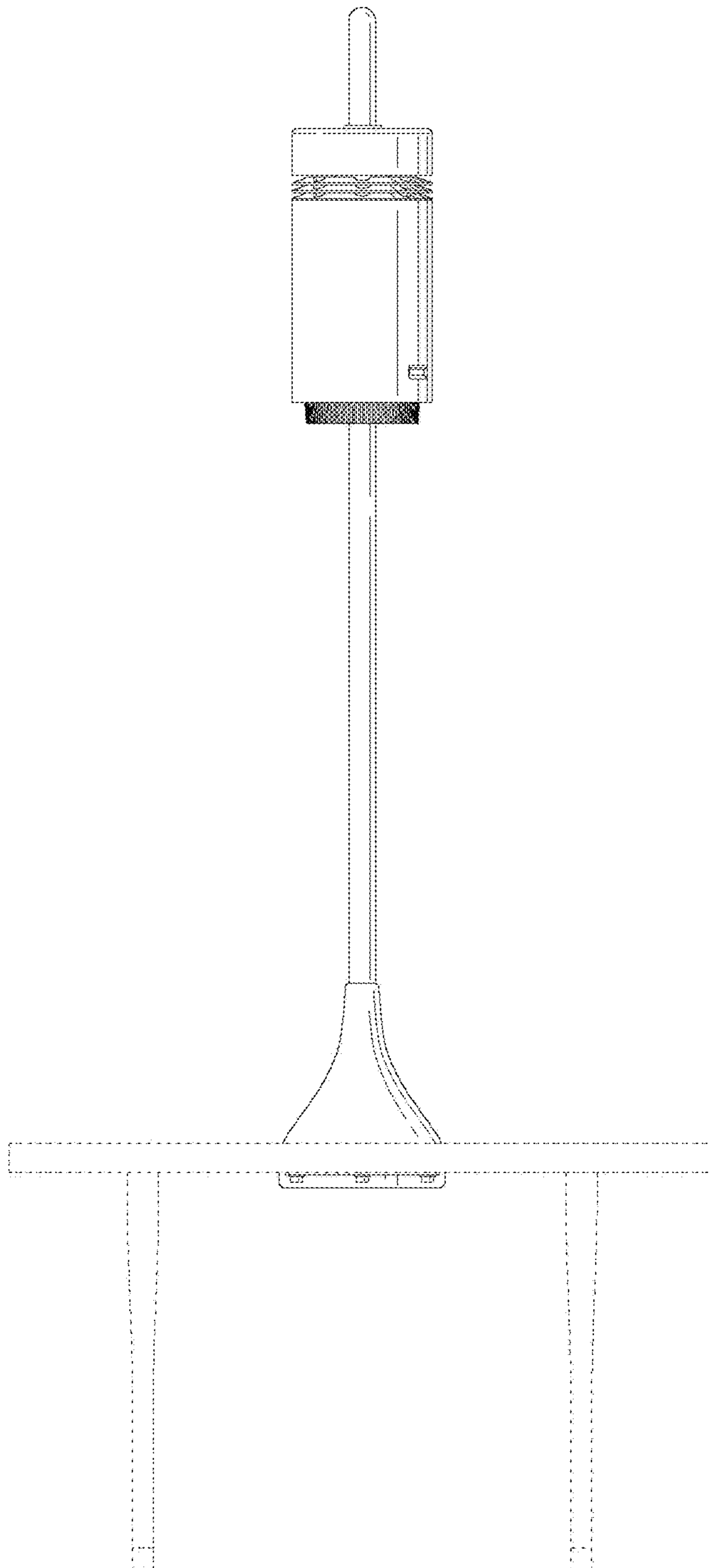


FIG. 2

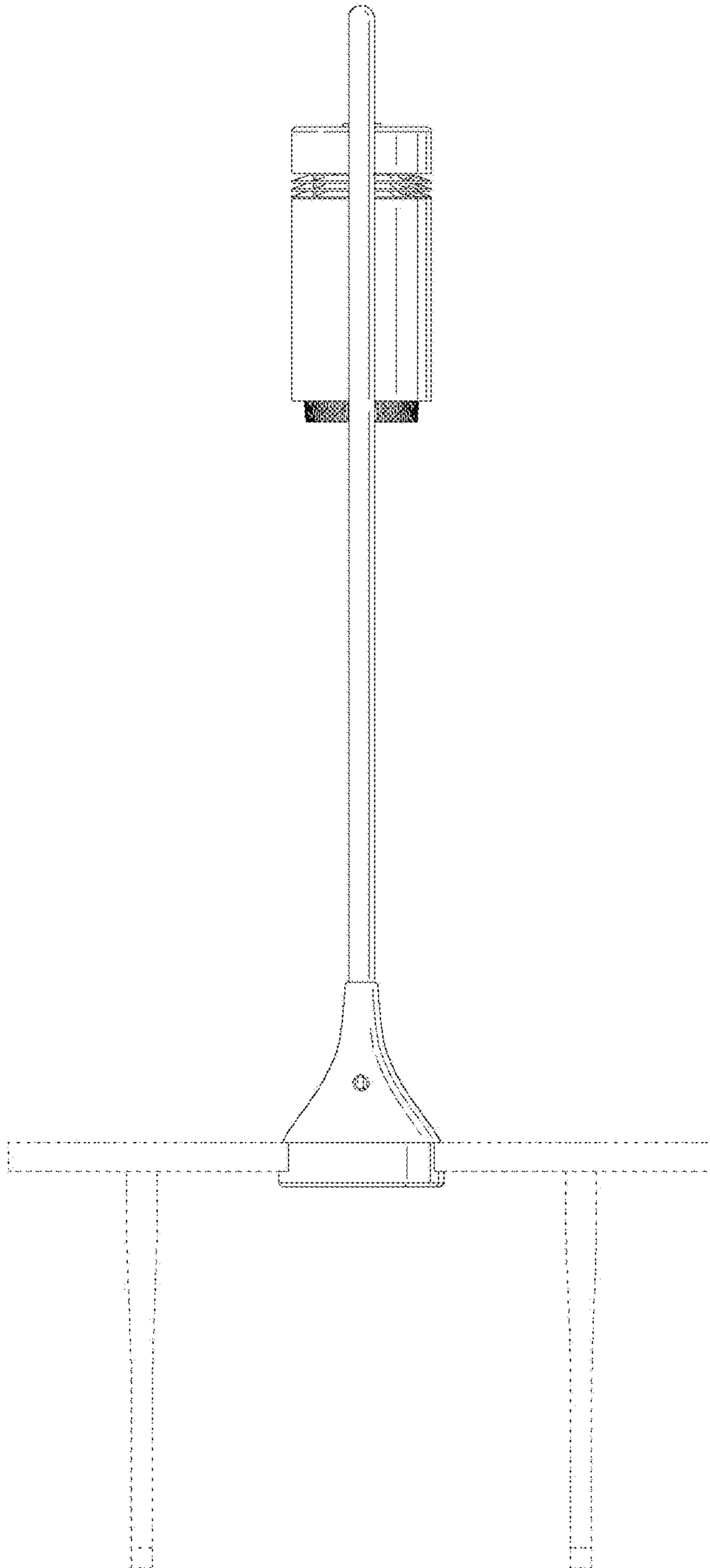


FIG. 3

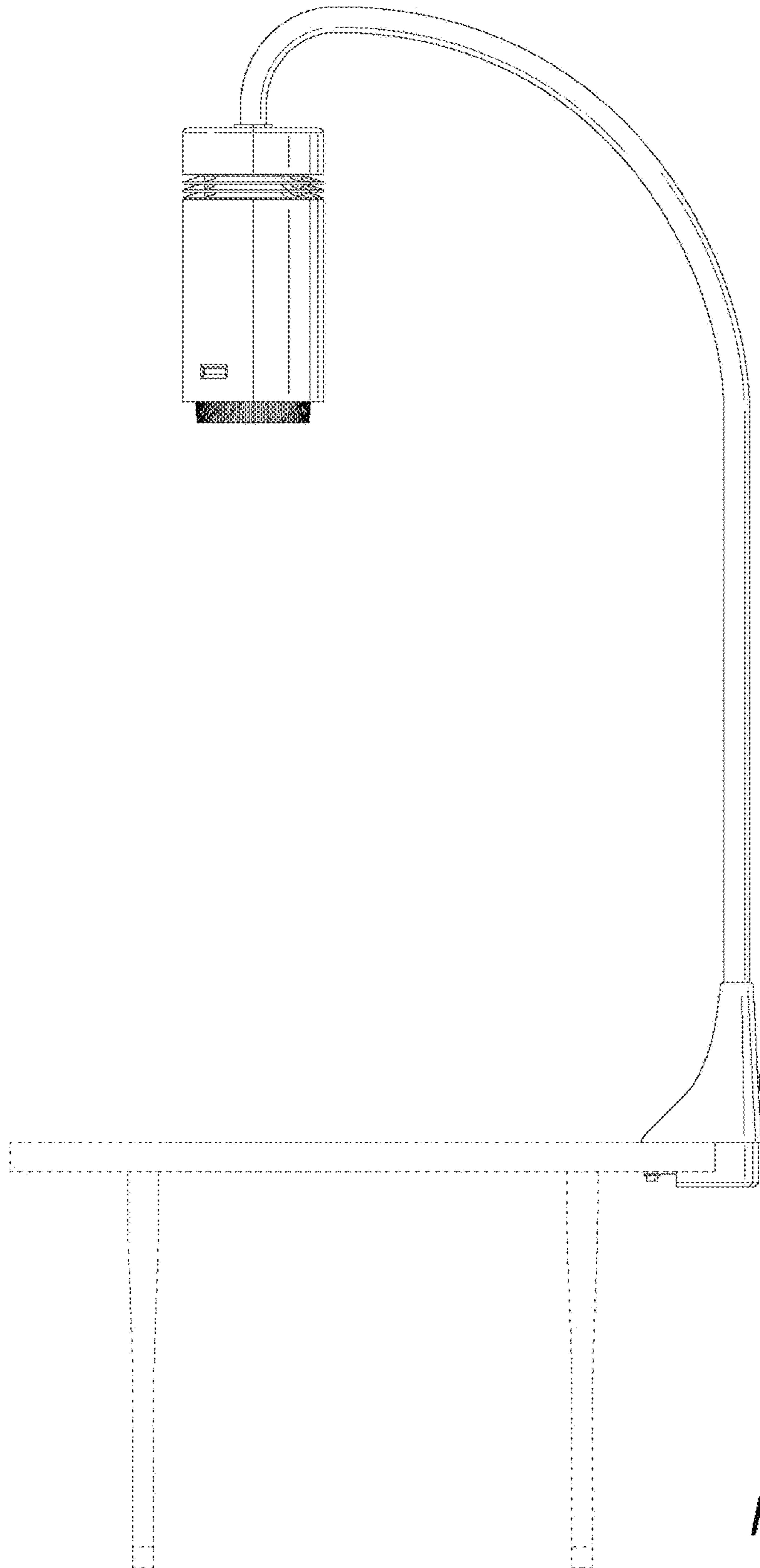


FIG. 4

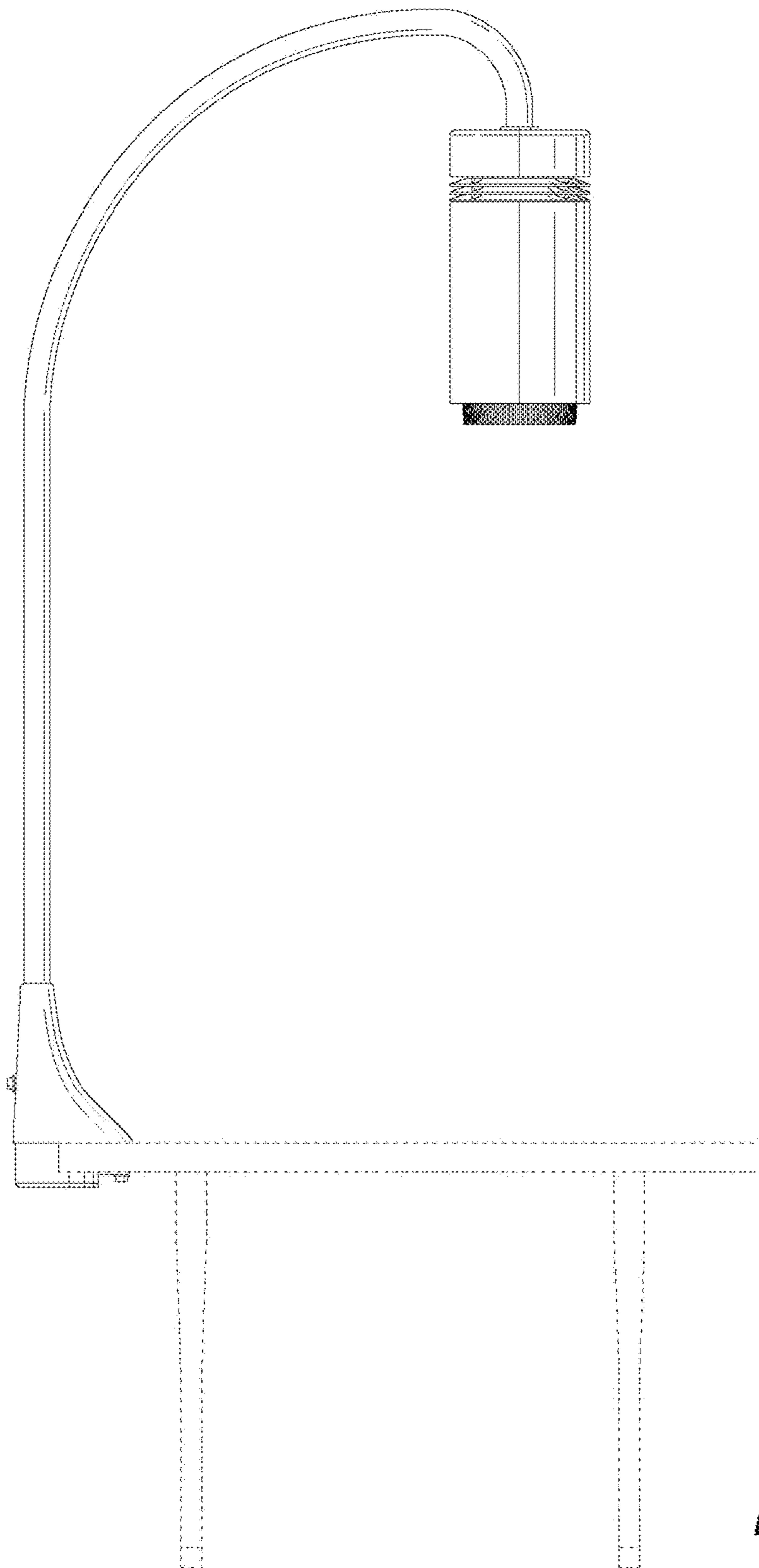


FIG. 5

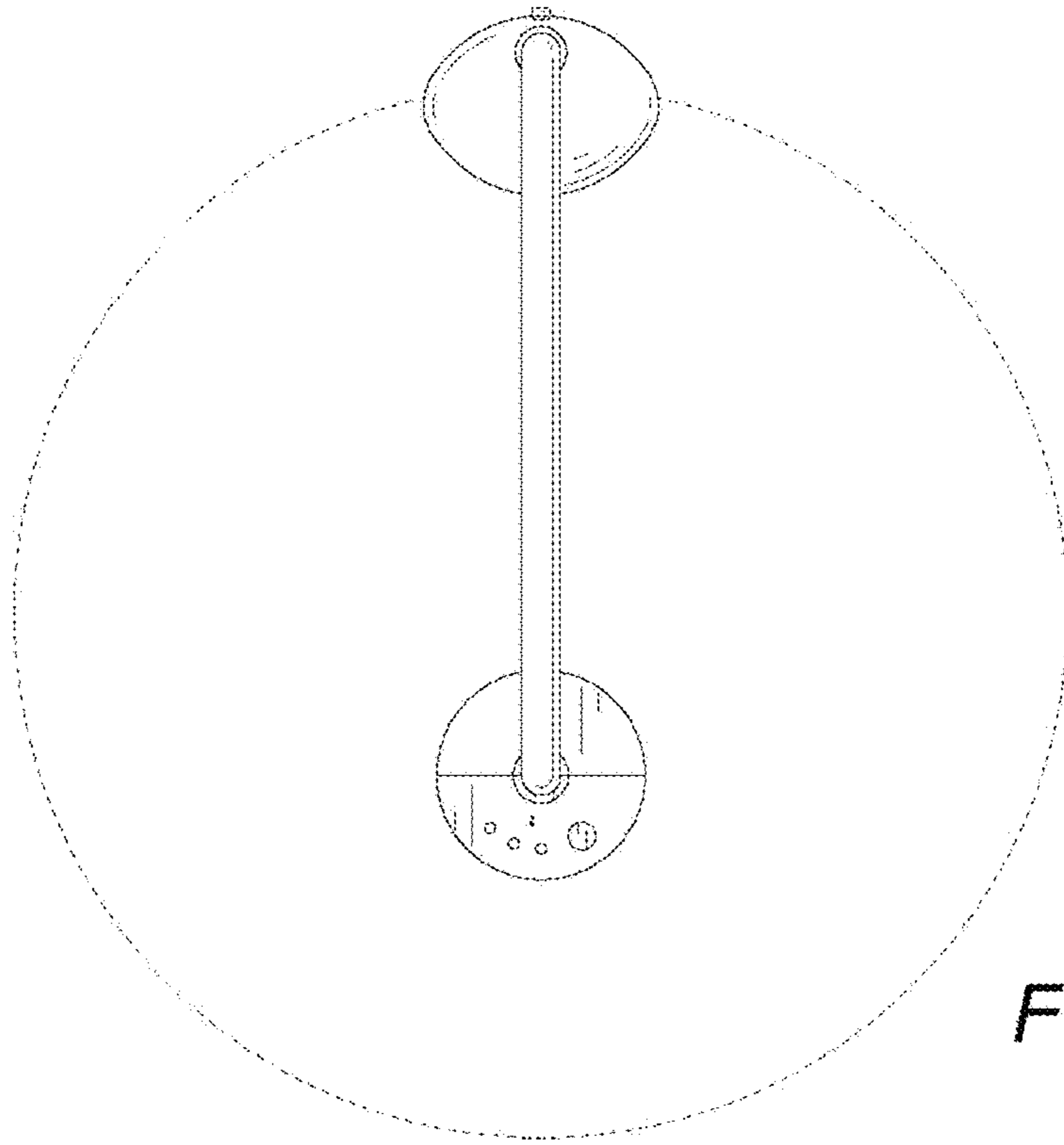


FIG. 6

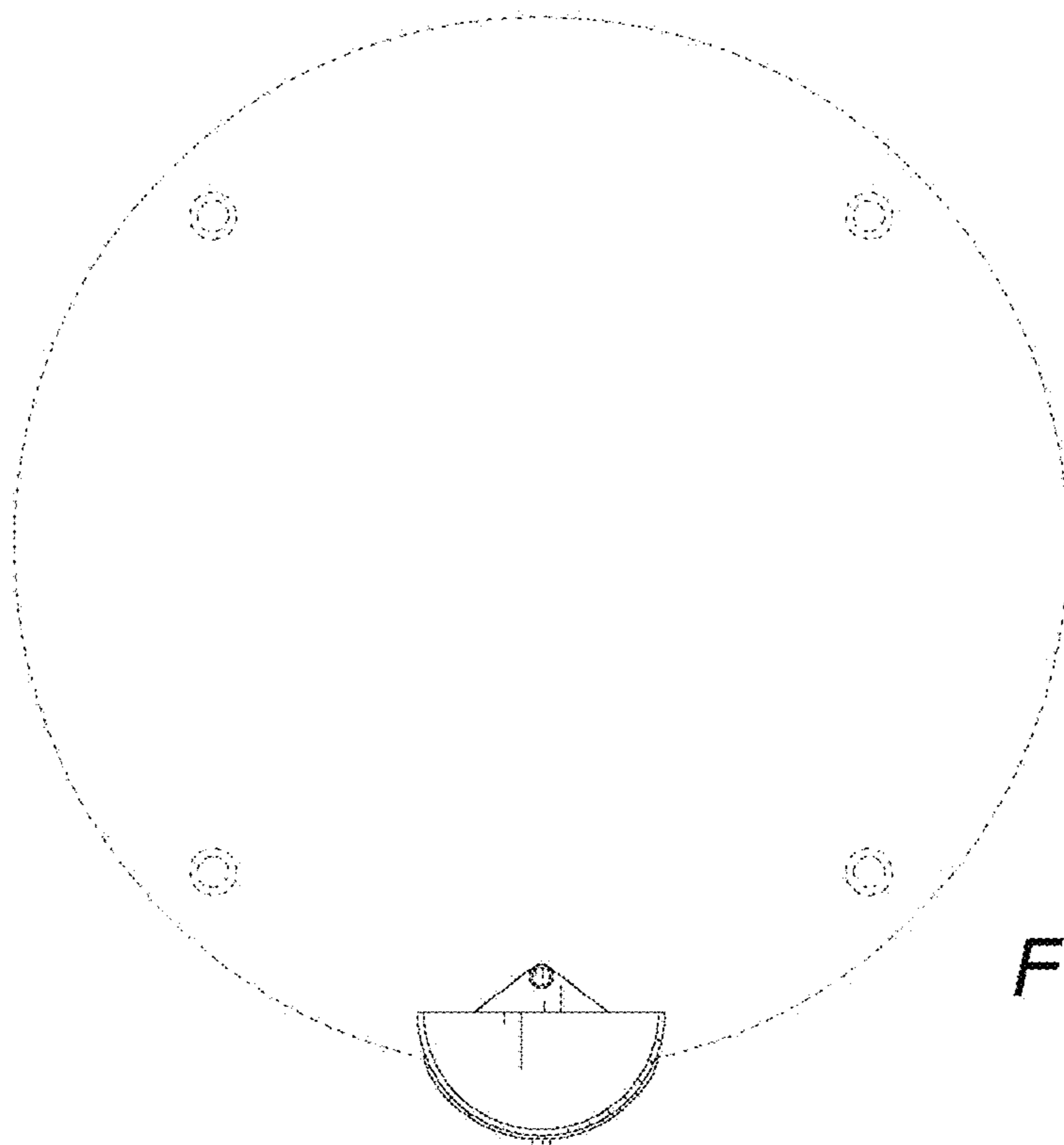


FIG. 7