



US00D827692S

(12) **United States Design Patent** (10) **Patent No.:** **US D827,692 S**
Ahman et al. (45) **Date of Patent:** **** Sep. 4, 2018**

(54) **MONITORING CAMERA HOUSING**

(71) Applicant: **AXIS AB**, Lund (SE)

(72) Inventors: **Daniel Ahman**, Lomma (SE); **Morten Bergstrom**, Lund (SE); **Mathias Walter**, Arlov (SE); **Malte Lennerstedt**, Lund (SE)

(73) Assignee: **AXIS AB**, Lund (SE)

(**) Term: **15 Years**

(21) Appl. No.: **29/626,779**

(22) Filed: **Nov. 20, 2017**

Related U.S. Application Data

(62) Division of application No. 29/589,110, filed on Dec. 28, 2016.

(30) **Foreign Application Priority Data**

Jun. 30, 2016 (EM) 003255710

(51) **LOC (11) Cl.** **16-01**

(52) **U.S. Cl.**
USPC **D16/203**

(58) **Field of Classification Search**

USPC D16/200, 202-208, 218, 219, 242;
348/143, 148, 151, 373-376; 396/419,
396/427, 535, 539-541; 248/176.1, 187.1
CPC G03B 17/02; G03B 19/04; G03B 17/56;
G03B 17/04; G03B 15/03; H04N 5/2251;
H04N 5/2252; H04N 5/2253; H04N
5/2254; H04N 7/181; H04N 7/183; H04N
7/18

See application file for complete search history.

(56) **References Cited**

U.S. PATENT DOCUMENTS

D409,641 S 5/1999 Uehara
D540,360 S 4/2007 Yamakawa

D606,572 S * 12/2009 Samson D16/203
D612,408 S 3/2010 Yamakawa
D613,784 S 4/2010 Wang et al.
D614,222 S 4/2010 Yamakawa
D633,543 S 3/2011 Park
D642,607 S 8/2011 Bergstrom et al.
D643,454 S 8/2011 Zaliauskas et al.
D666,660 S * 9/2012 Amit D16/203
D684,619 S 6/2013 Chapple et al.
D691,187 S 10/2013 Seo et al.
D705,843 S * 5/2014 Kawai D16/202
D732,100 S * 6/2015 Jeong D16/203
D732,597 S 6/2015 Celler
D739,888 S 9/2015 Liang

(Continued)

FOREIGN PATENT DOCUMENTS

TW D111901 2/1994
TW D130662 9/2009

Primary Examiner — Philip S Hyder

Assistant Examiner — Ramzi S Almatrahi

(74) *Attorney, Agent, or Firm* — Volpe and Koenig, P.C.

(57) **CLAIM**

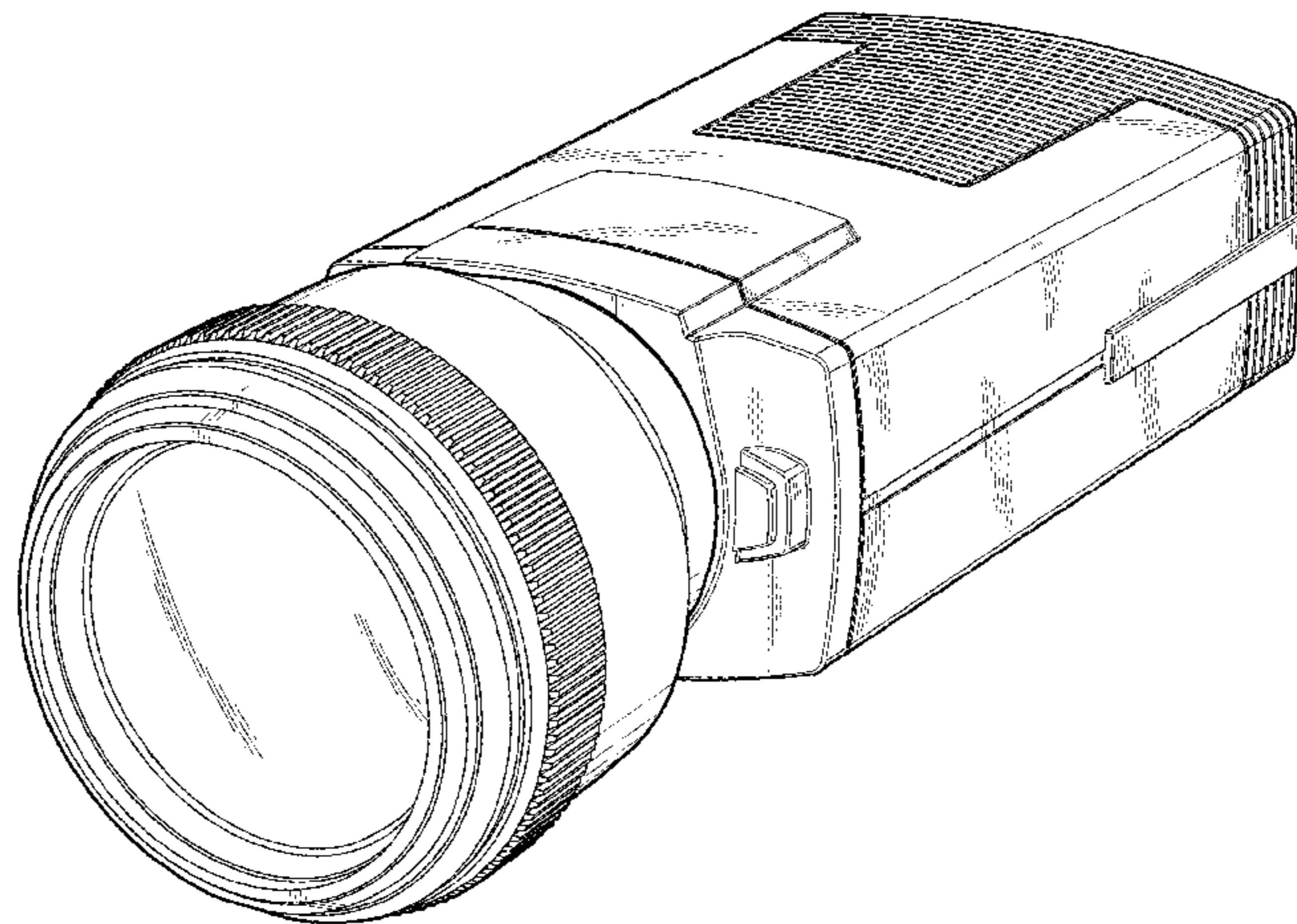
The ornamental design for a monitoring camera housing, as shown and described.

DESCRIPTION

FIG. 1 is a perspective view of a monitoring camera housing showing our new design;
FIG. 2 is a front elevational view thereof;
FIG. 3 is a top plan view thereof;
FIG. 4 is a right side elevational view thereof;
FIG. 5 is a left side elevational view thereof;
FIG. 6 is a rear elevational view thereof; and,
FIG. 7 is a bottom plan view thereof.

The broken lines depict portions of the monitoring camera housing in which the design is embodied that form no part of the claimed design.

1 Claim, 4 Drawing Sheets



(56)

References Cited

U.S. PATENT DOCUMENTS

D741,933	S	10/2015	Bergstrom et al.	
D744,022	S	11/2015	Petty et al.	
D748,710	S *	2/2016	Bergstrom	D16/203
D768,749	S *	10/2016	Koppetz	D16/202
D792,919	S	7/2017	Ryu et al.	
D809,046	S *	1/2018	Hatcher	D16/202
D812,670	S *	3/2018	Andersson	D16/203
2011/0052179	A1	3/2011	Jung et al.	
2011/0298925	A1	12/2011	Inoue et al.	

* cited by examiner

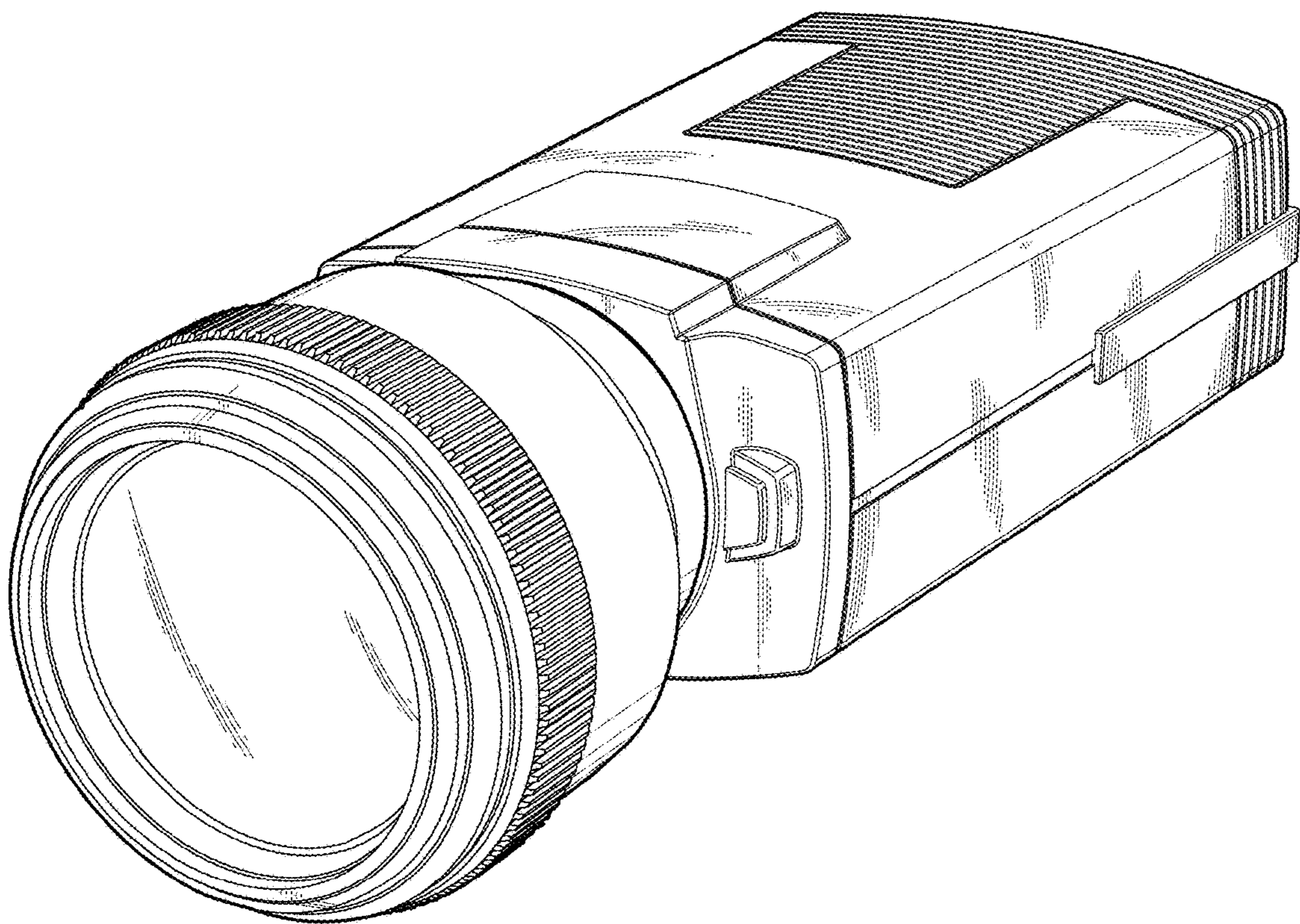


Fig. 1

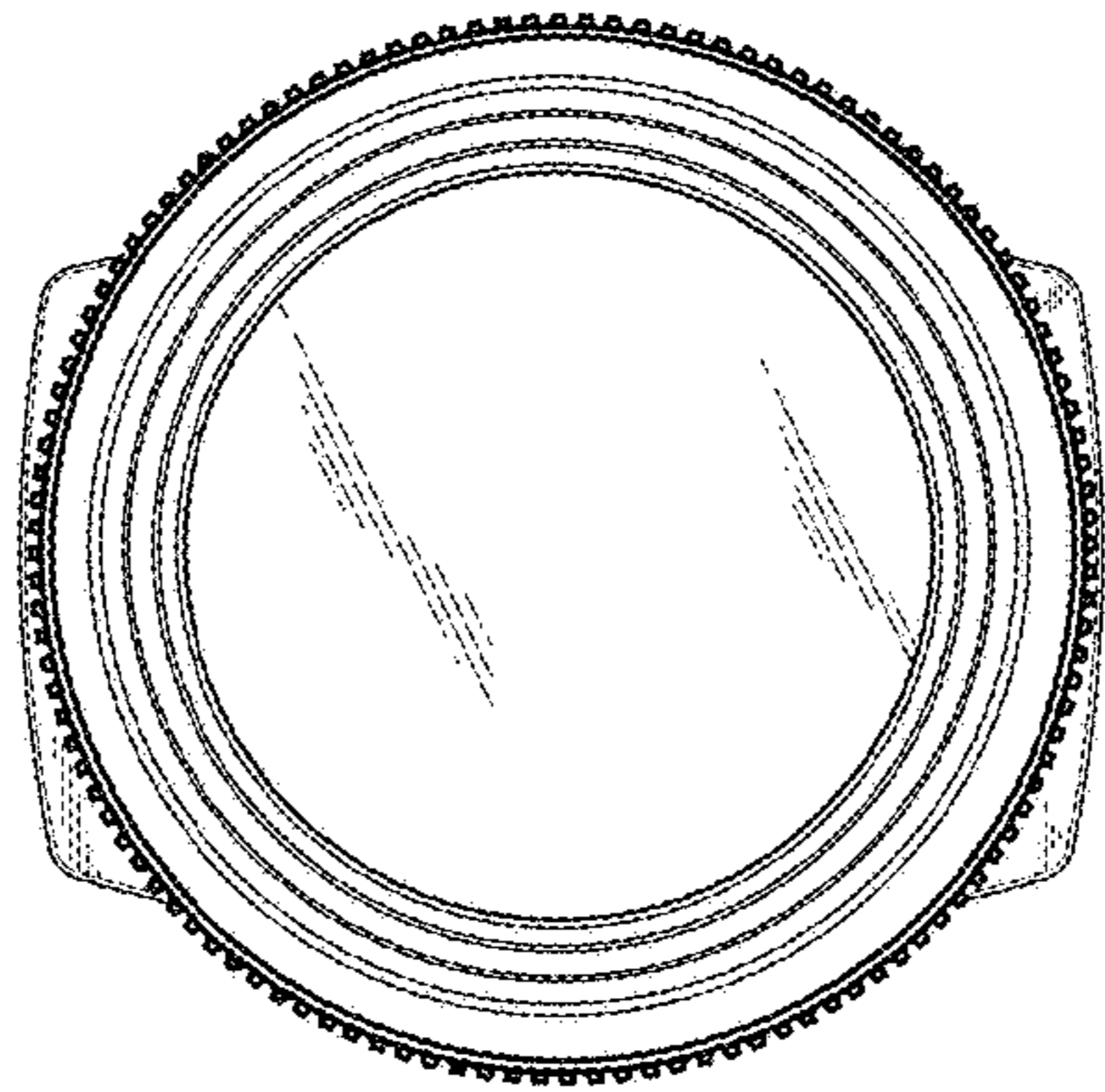


Fig. 2

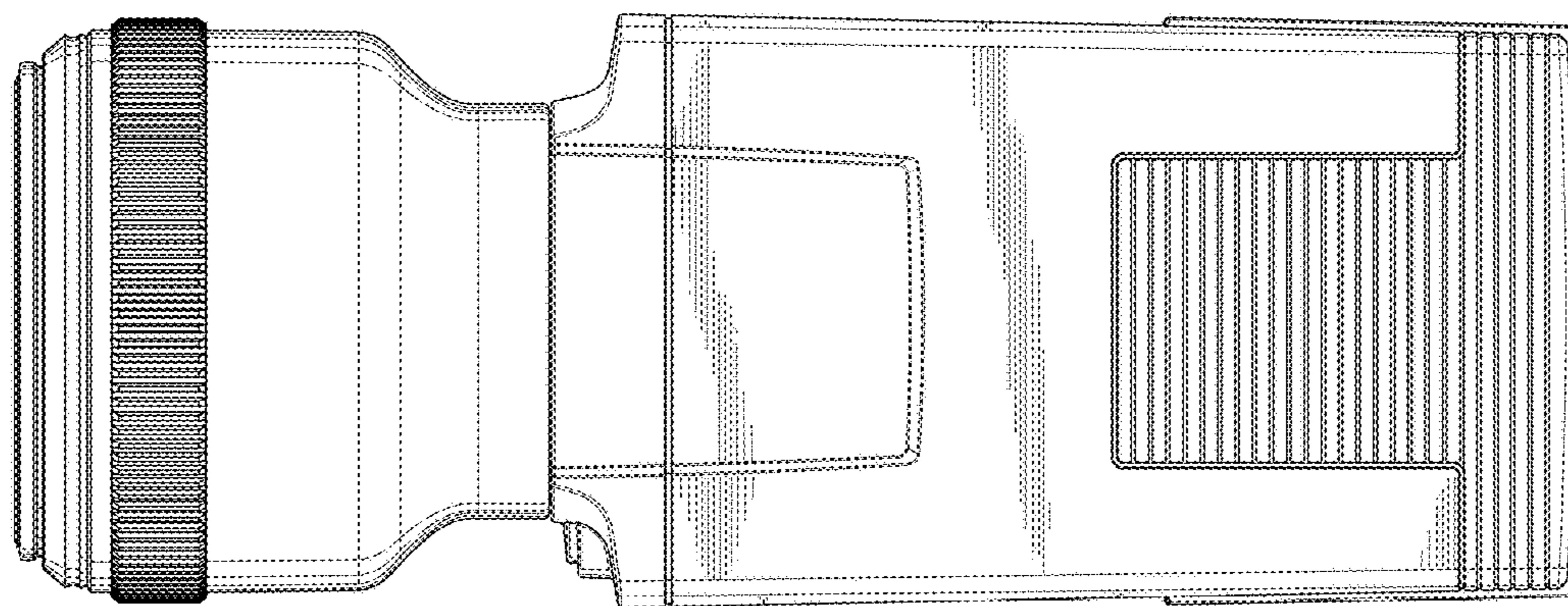


Fig. 3

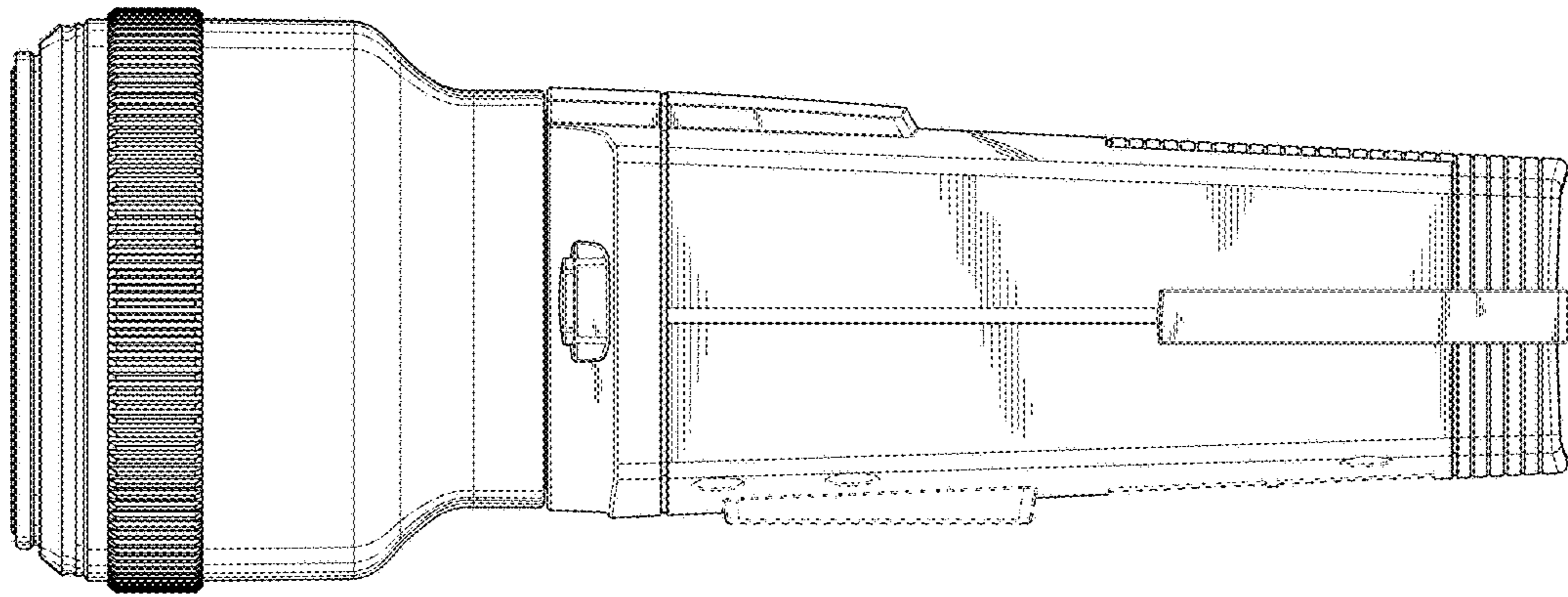


Fig. 4

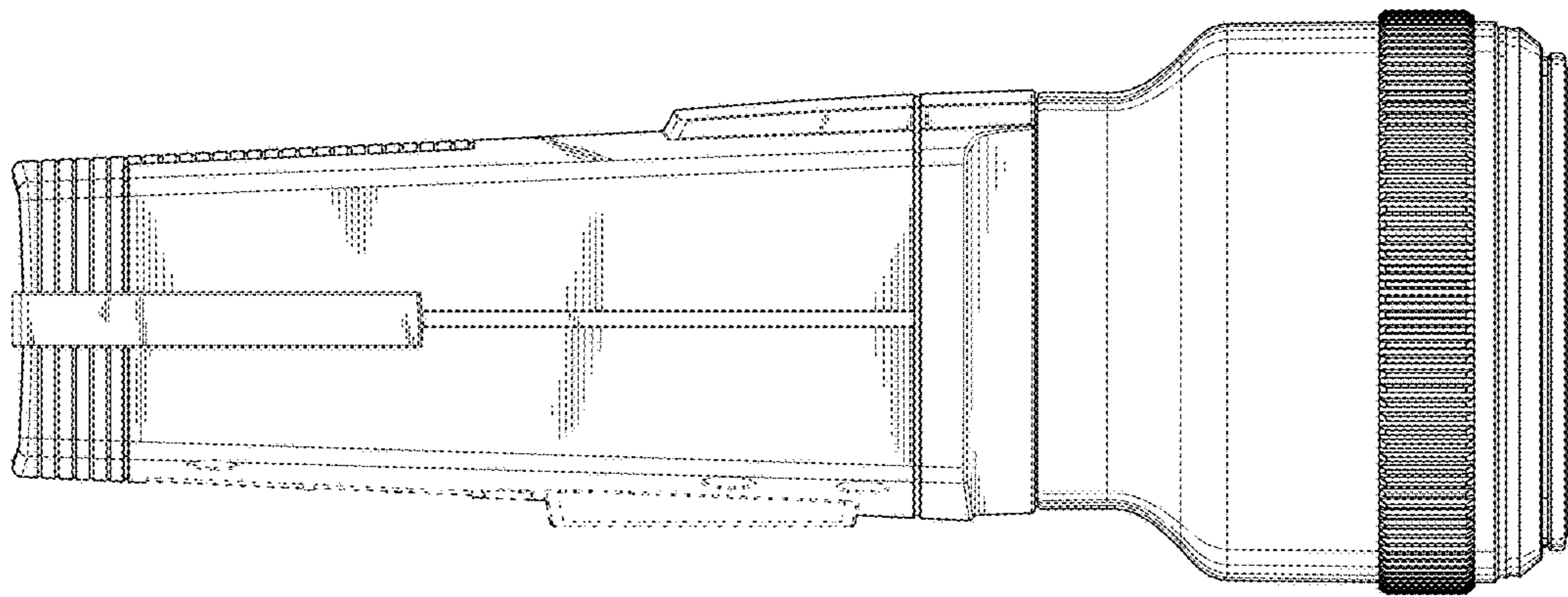


Fig. 5

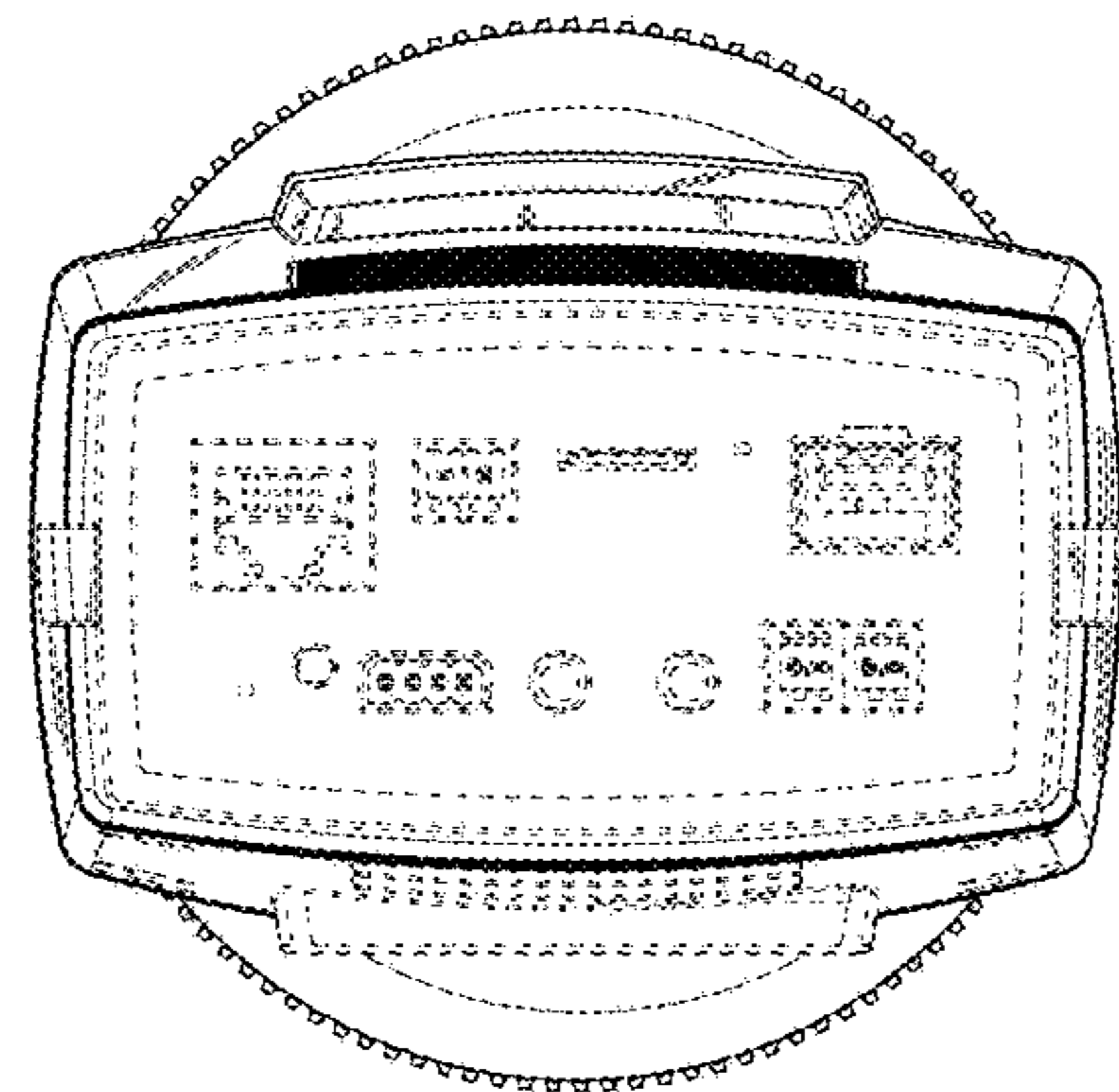


Fig. 6

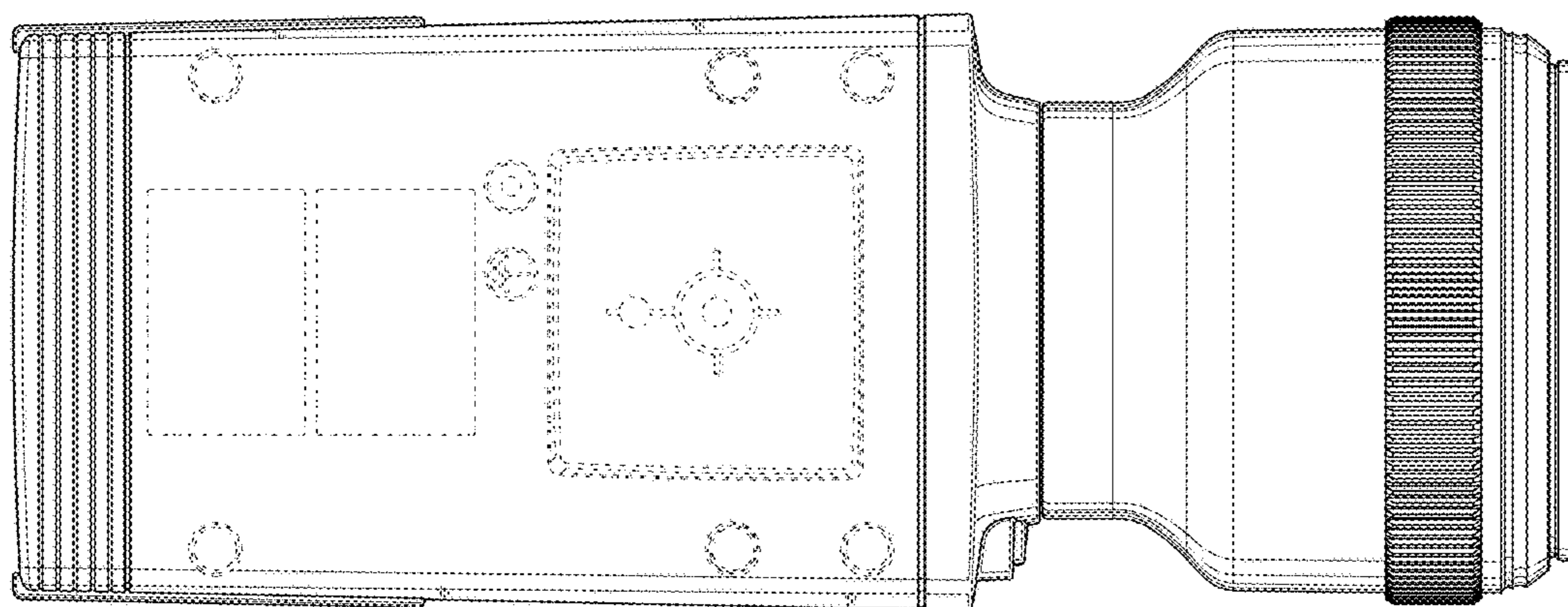


Fig. 7