

US00D827691S

(12) **United States Design Patent**
Zhong

(10) **Patent No.:** **US D827,691 S**

(45) **Date of Patent:** **** Sep. 4, 2018**

(54) **CAMERA**

(71) Applicant: **Shenzhen Jiangnengfa Technology Co., Ltd.**, Shenzhen, Guangdong (CN)

(72) Inventor: **Qibin Zhong**, Guangdong (CN)

(73) Assignee: **Shenzhen Jiangnengfa Technology Co., Ltd.**, Shenzhen (CN)

(**) Term: **15 Years**

(21) Appl. No.: **29/618,371**

(22) Filed: **Sep. 20, 2017**

(51) **LOC (11) Cl.** **16-01**

(52) **U.S. Cl.**
USPC **D16/203**

(58) **Field of Classification Search**
USPC D16/200, 202–207, 208, 218, 219;
348/143, 148, 151, 373–376; 396/419,
396/427, 535, 539–541
CPC G03B 17/02; G03B 19/04; G03B 17/56;
G03B 17/04; G03B 15/03; H04N 5/2251;
H04N 5/2252; H04N 5/2253; H04N
5/2254; H04N 7/181; H04N 7/183; H04N
7/18; G08B 13/1963; G08B 13/19619;
G08B 13/19632; F16M 11/04; F16M
13/00

See application file for complete search history.

(56) **References Cited**

U.S. PATENT DOCUMENTS

D585,926 S * 2/2009 Su D16/203
D634,345 S * 3/2011 Kim D16/203

D634,768 S * 3/2011 Ko D16/203
D637,640 S * 5/2011 Park D16/203
D643,453 S * 8/2011 Ham D16/203
D691,187 S * 10/2013 Seo D16/203
D702,274 S * 4/2014 Qian D16/203
D723,603 S * 3/2015 Hess, Jr. D16/203
D731,574 S * 6/2015 Hallstrom D16/203
9,113,094 B2 * 8/2015 Takahashi H04N 5/33
D810,170 S * 2/2018 Geng D16/203
2008/0170121 A1 * 7/2008 Su G08B 13/19619
348/143
2015/0358511 A1 * 12/2015 Jung H04N 5/2252
348/143

* cited by examiner

Primary Examiner — Philip S Hyder
Assistant Examiner — Ramzi Almatrahi

(57) **CLAIM**

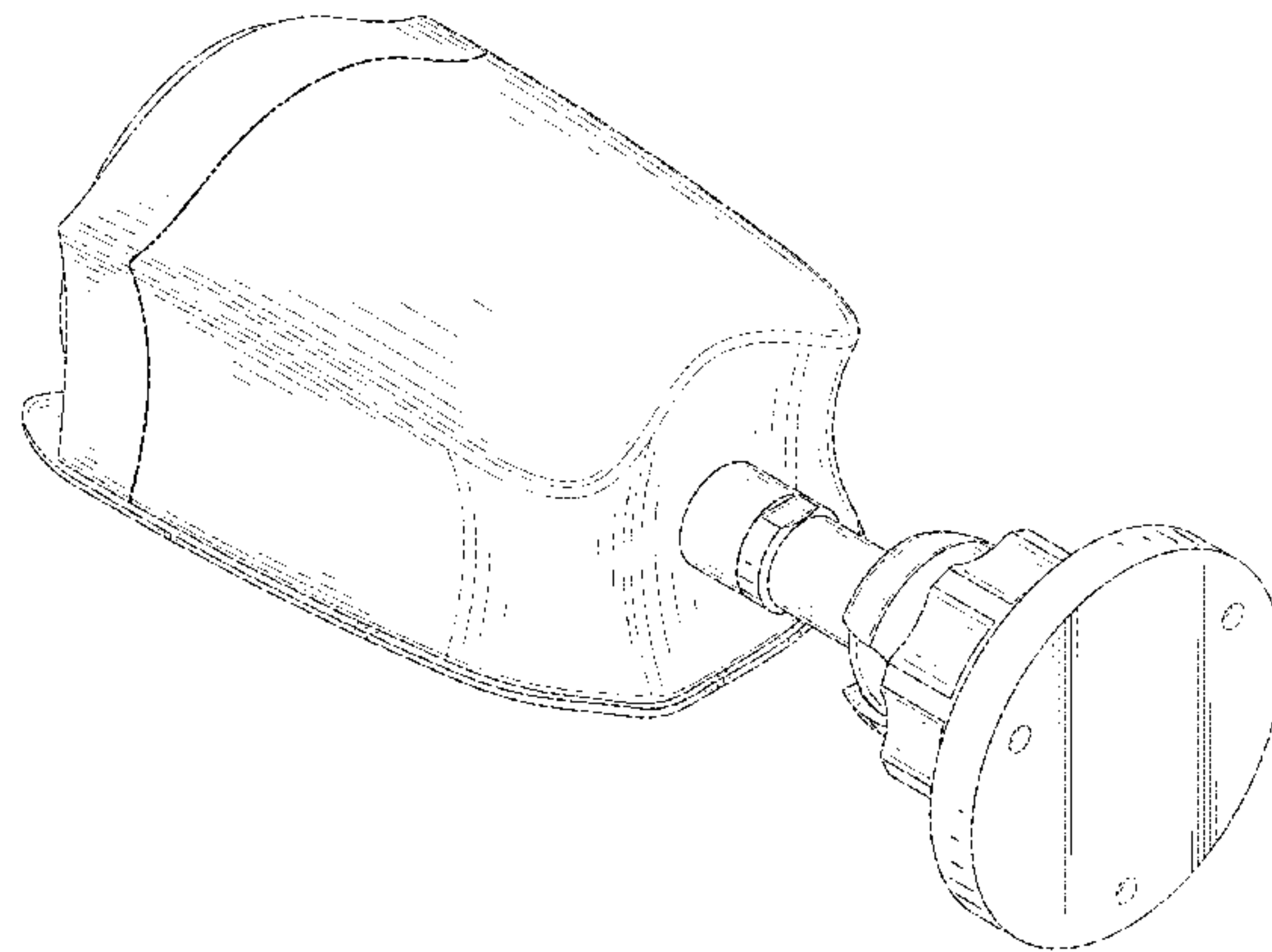
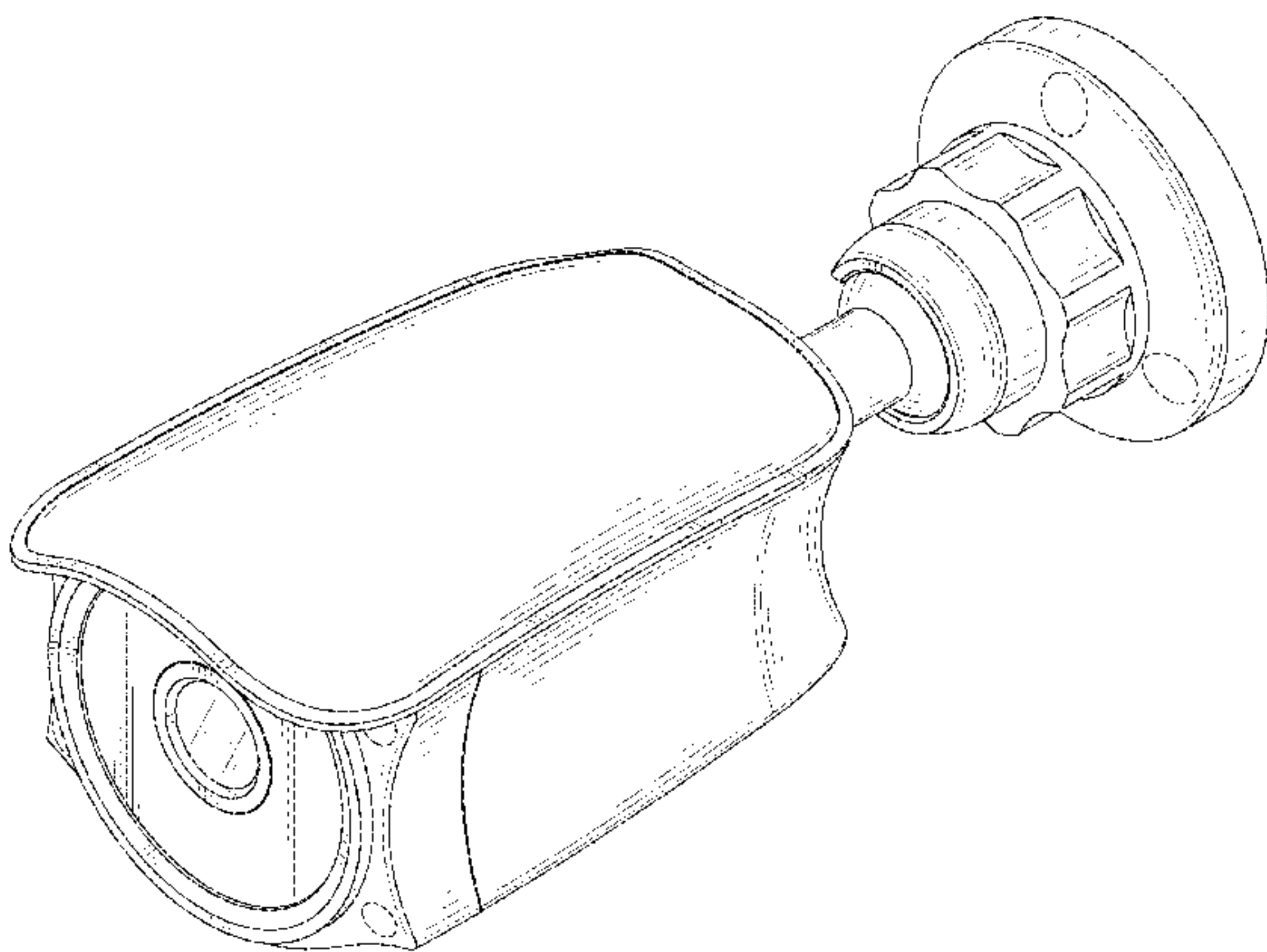
The ornamental design for a camera, as shown and described.

DESCRIPTION

FIG. 1 is a top and front perspective view of a camera showing my new design;
FIG. 2 is a bottom and rear perspective view thereof;
FIG. 3 is a front elevational view thereof;
FIG. 4 is a rear elevational view thereof;
FIG. 5 is a left side view thereof;
FIG. 6 is a right side view thereof;
FIG. 7 is a top plan view thereof; and,
FIG. 8 is a bottom plan view thereof.

The broken lines depict portions of the camera in which the design is embodied that form no part of the claimed design.

1 Claim, 8 Drawing Sheets



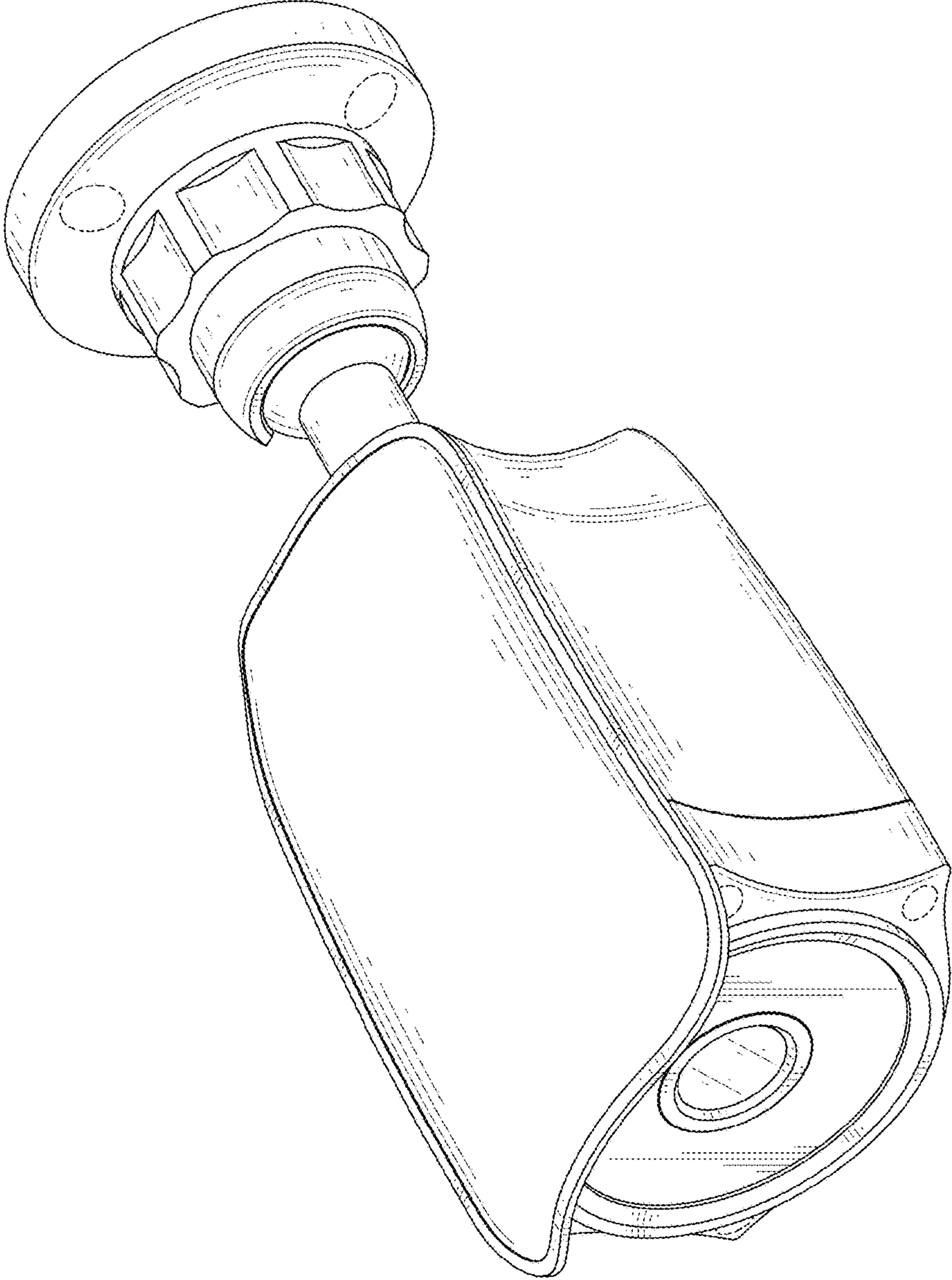


FIG. 1



FIG. 2

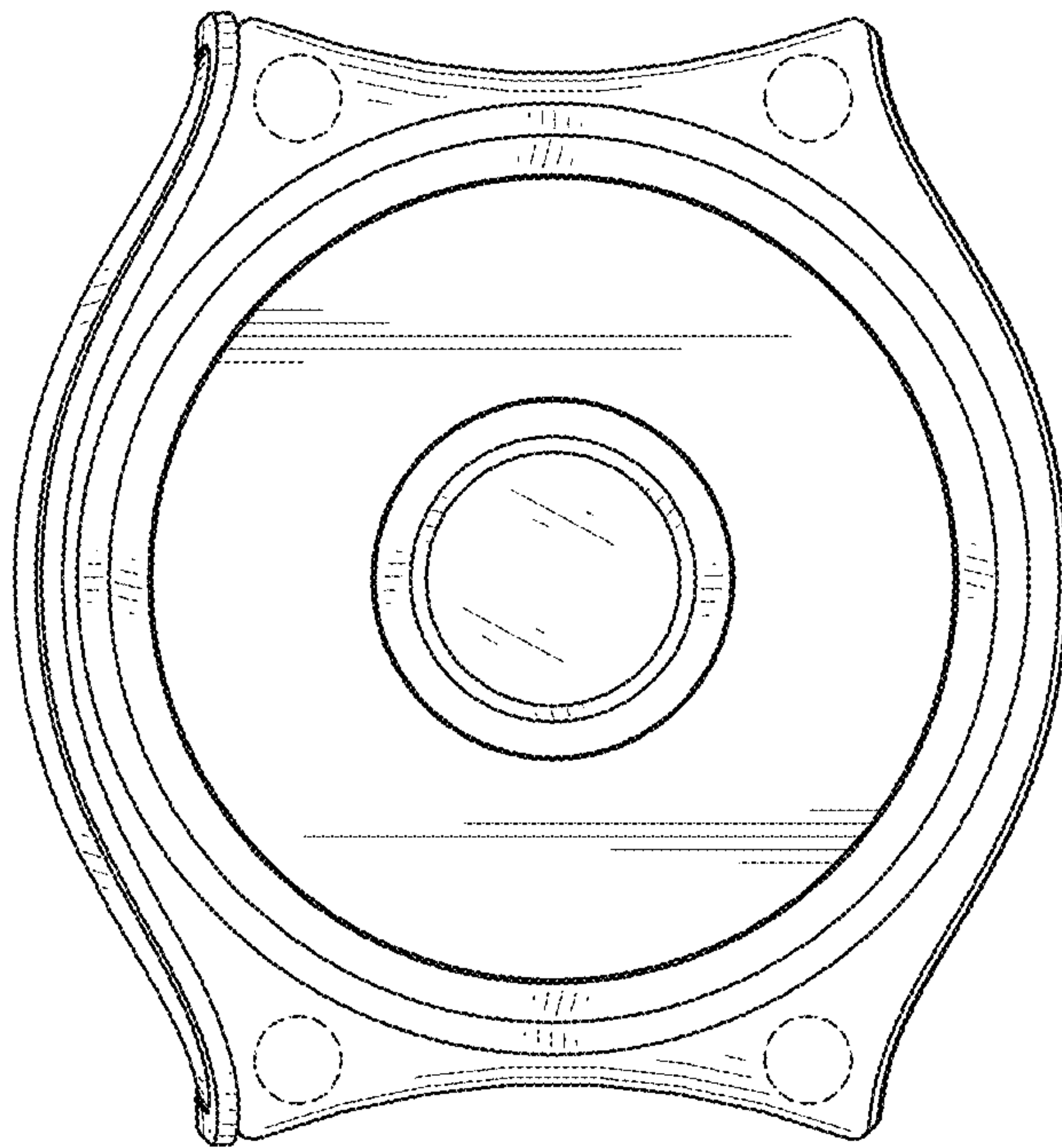


FIG. 3

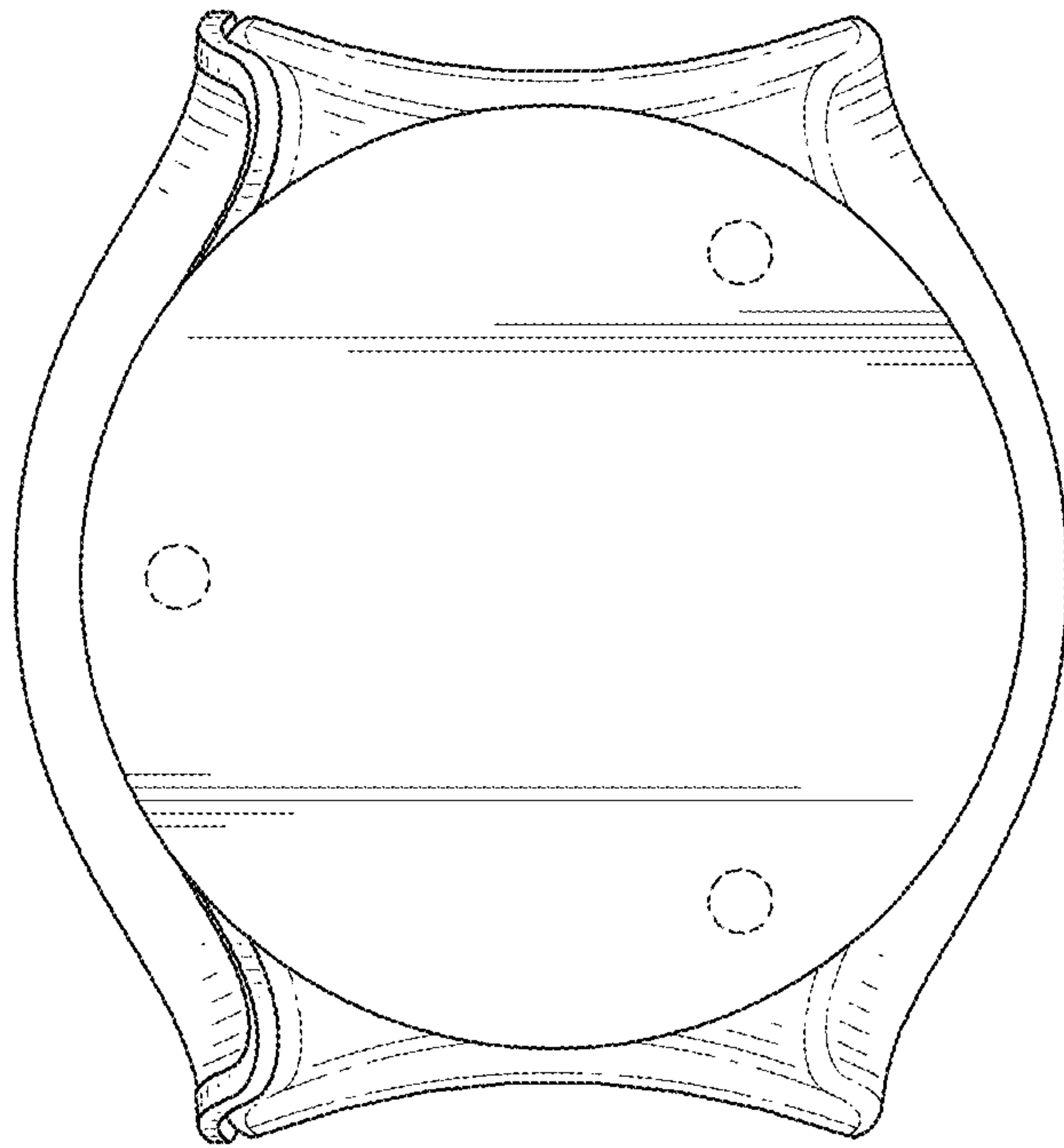


FIG. 4

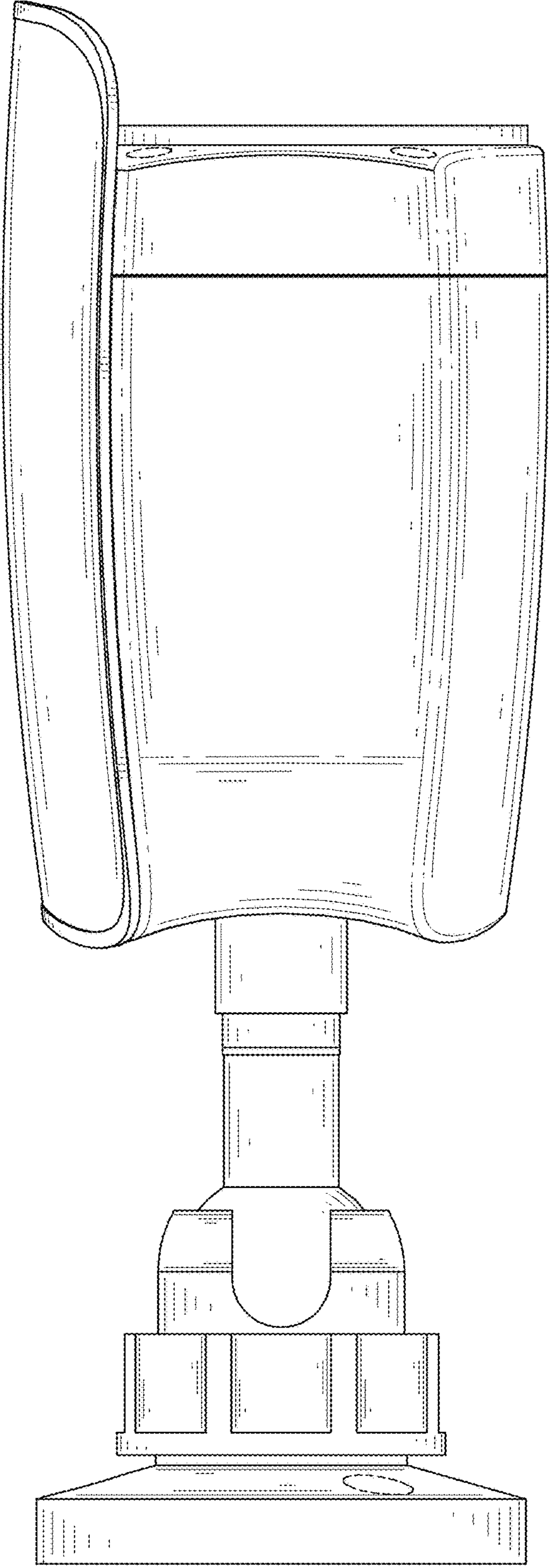


FIG. 5

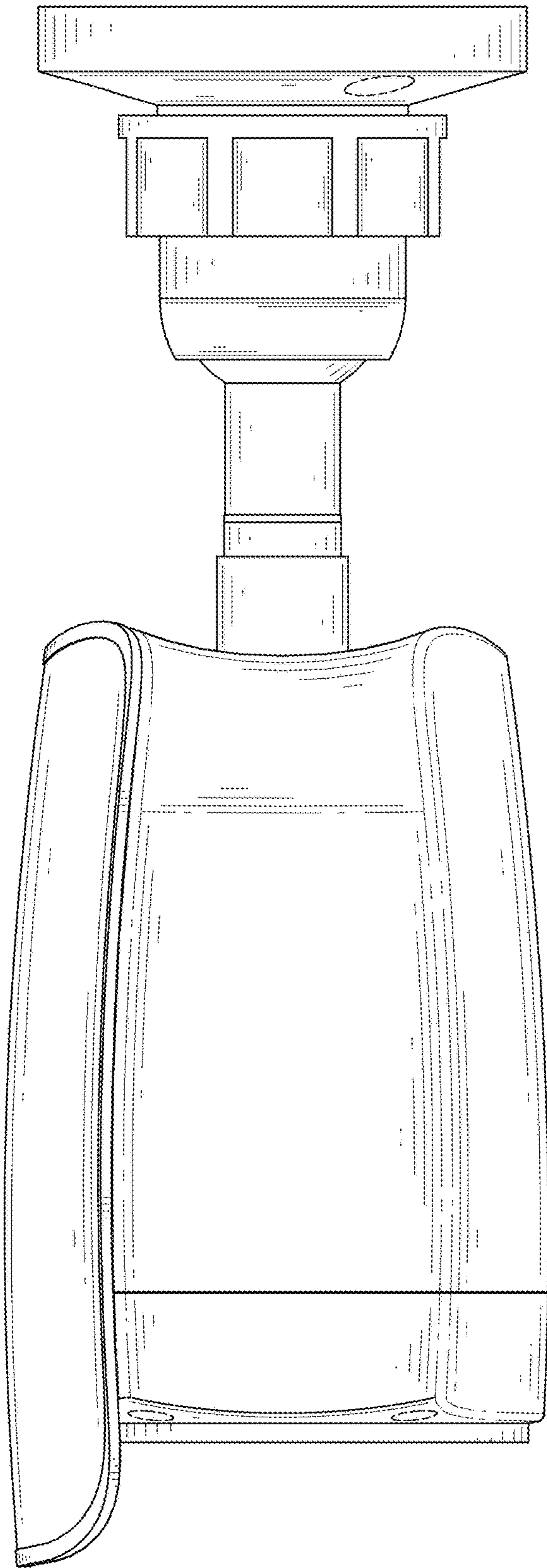


FIG. 6

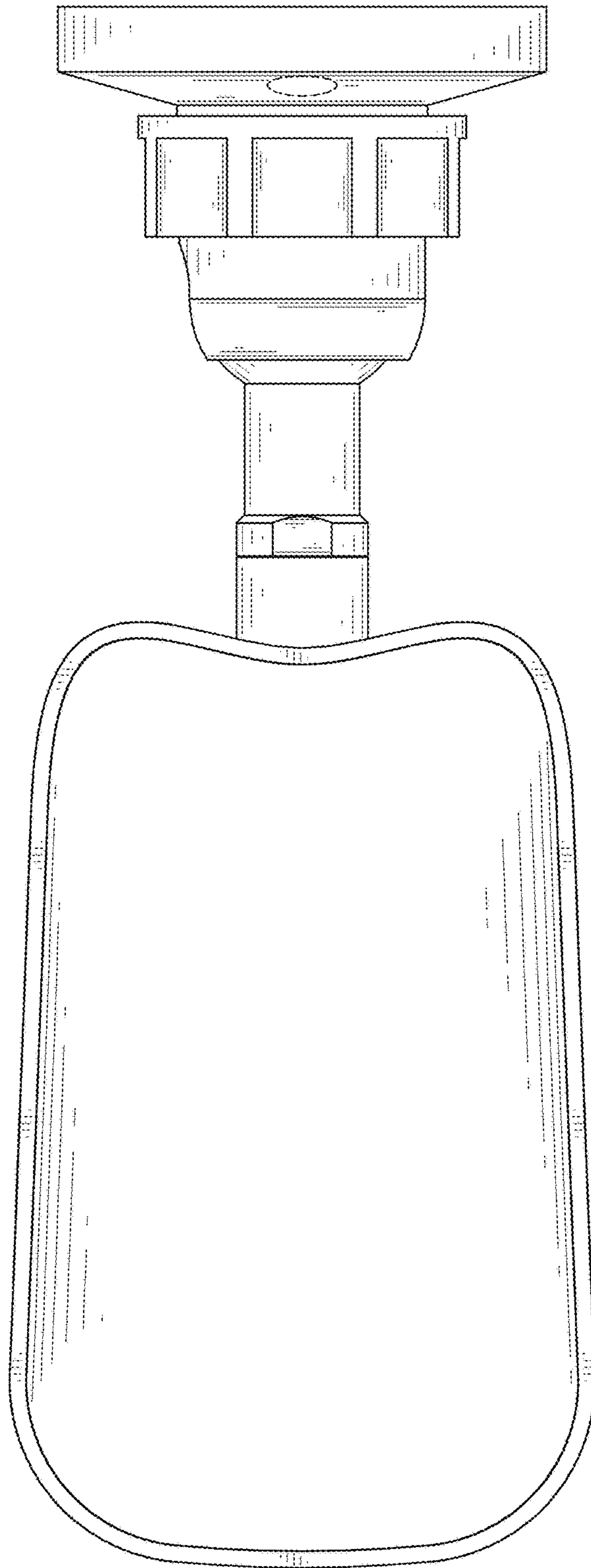


FIG. 7

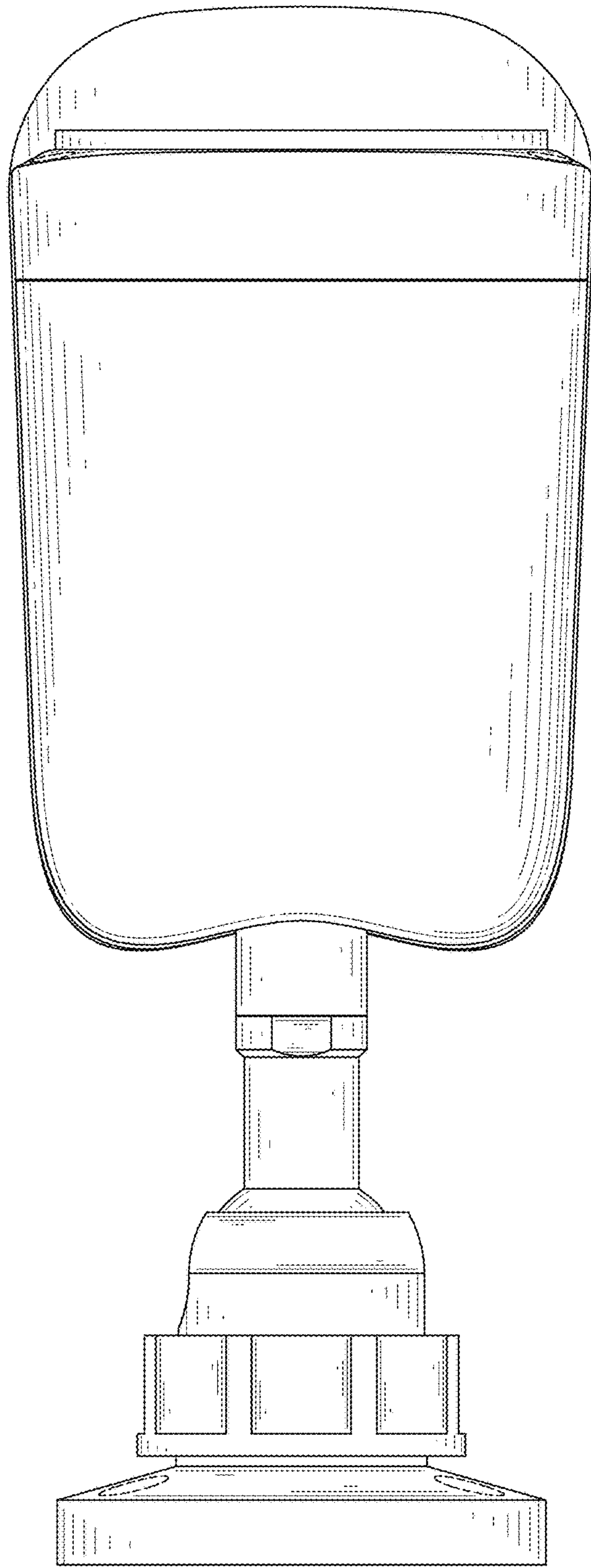


FIG. 8