



US00D827689S

(12) **United States Design Patent**
Turner

(10) **Patent No.:** **US D827,689 S**

(45) **Date of Patent:** **** Sep. 4, 2018**

(54) **ORBITAL GEAR REPLACEMENT INSERT**

(71) Applicant: **Daniel Turner**, Humble, TX (US)

(72) Inventor: **Daniel Turner**, Humble, TX (US)

(**) Term: **15 Years**

(21) Appl. No.: **29/604,937**

(22) Filed: **May 22, 2017**

(51) **LOC (11) Cl.** **15-99**

(52) **U.S. Cl.**
USPC **D15/148**

(58) **Field of Classification Search**
USPC D12/122, 159-162; D15/135, 138, 143,
D15/148-149, 199
CPC F16H 1/28; F16H 37/02; B60K 17/046
See application file for complete search history.

(56) **References Cited**

U.S. PATENT DOCUMENTS

3,926,073	A *	12/1975	Roche	F16H 57/10 475/146
D298,141	S *	10/1988	Huber	D15/149
D442,200	S *	5/2001	Koch	D15/148
D443,880	S *	6/2001	Iida	D15/148
D451,526	S *	12/2001	Lee	D15/148
6,354,907	B1 *	3/2002	Satoh	B24B 37/005 451/10
D719,493	S *	12/2014	Mochinaga	D12/160
9,175,753	B2 *	11/2015	Frankowski	F16H 7/1218
D753,744	S *	4/2016	Takahashi	D15/149
9,638,304	B2 *	5/2017	Biermann	F16H 48/11
D807,936	S *	1/2018	He	D15/199
D814,366	S *	4/2018	Sugiyama	D12/159
9,943,460	B2 *	4/2018	Roh	A61H 3/00
9,987,933	B2 *	6/2018	Wu	B60L 11/1809
2007/0172167	A1 *	7/2007	Lew	B60K 17/24 384/536
2011/0130238	A1 *	6/2011	Schoon	B60K 7/0007 475/154

2011/0241306	A1 *	10/2011	Serkh	B62M 11/145 280/261
2011/0245012	A1 *	10/2011	Biermann	F16H 48/10 475/248
2013/0017919	A1 *	1/2013	Klemm	F16H 63/3023 475/138

(Continued)

OTHER PUBLICATIONS

CN-303746479, posted at Orbit, publication date Jul. 13, 2016. [online] [site visited Feb. 13, 2018]. Available from Internet. (Year: 2016).*

(Continued)

Primary Examiner — Kevin K Rudzinski
Assistant Examiner — Kathleen L Jones
(74) *Attorney, Agent, or Firm* — Law Office of Jeff Williams; J. Oliver Williams

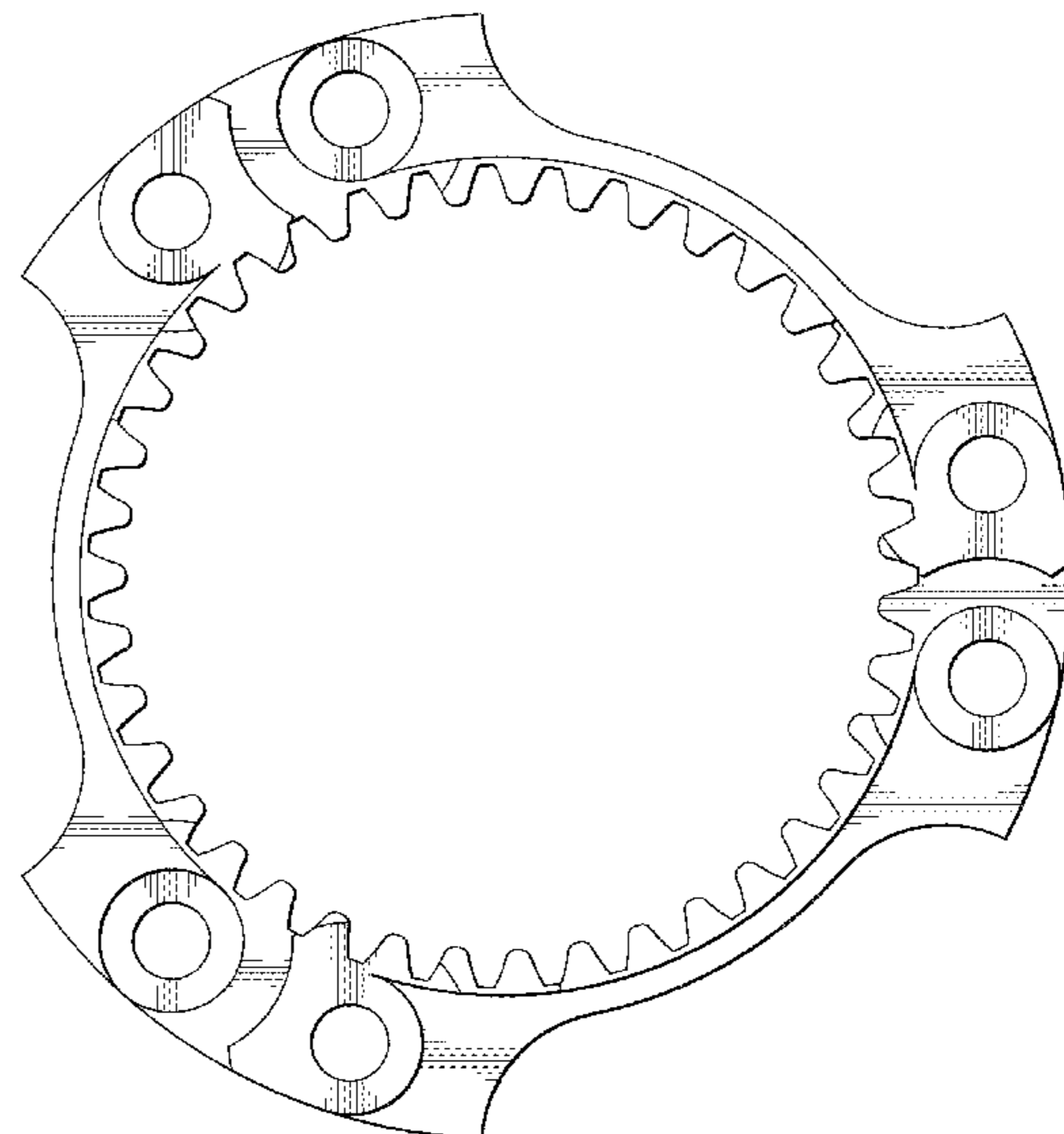
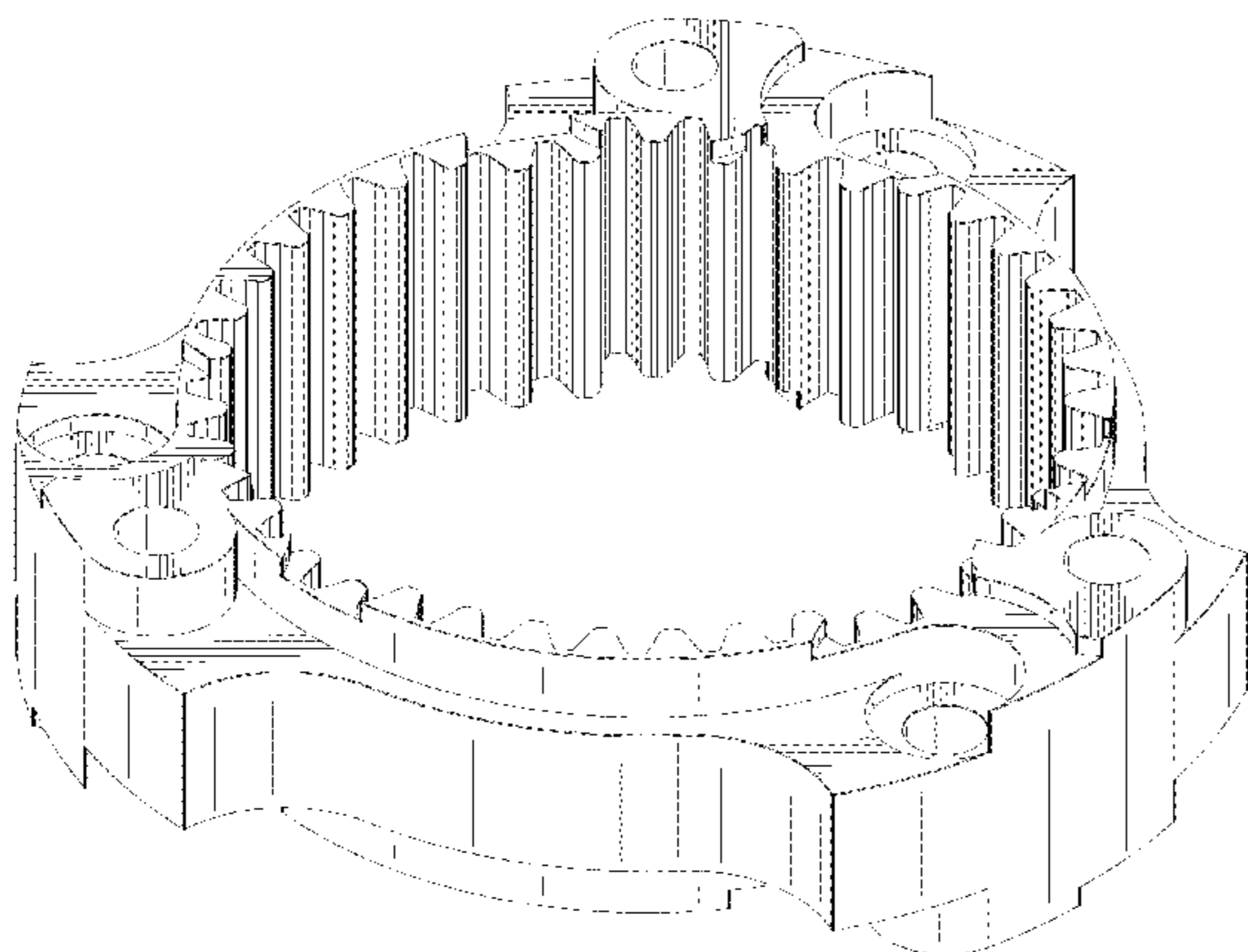
(57) **CLAIM**

The ornamental design for an orbital gear replacement insert, as shown and described.

DESCRIPTION

FIG. 1 is a front perspective view of an orbital gear replacement insert according to the present application. FIG. 2 is a front view of the orbital gear replacement insert of FIG. 1. FIG. 3 is a rear view of the orbital gear replacement insert of FIG. 1. FIG. 4 is a right view of the orbital gear replacement insert of FIG. 1. FIG. 5 is a left view of the orbital gear replacement insert of FIG. 1. FIG. 6 is a top view of the orbital gear replacement insert of FIG. 1; and, FIG. 7 is a bottom view of the orbital gear replacement insert of FIG. 1.

1 Claim, 5 Drawing Sheets



(56)

References Cited

U.S. PATENT DOCUMENTS

2014/0309073	A1 *	10/2014	Martini	F16H 48/11 475/220
2014/0352465	A1 *	12/2014	Chae	F16H 19/04 74/30
2015/0174956	A1 *	6/2015	Malik	B60B 27/065 411/116
2015/0180304	A1 *	6/2015	Miller	F16H 1/28 475/149
2015/0191195	A1 *	7/2015	Domig	B62D 1/16 384/29
2016/0061315	A1 *	3/2016	Taylor	F16H 57/082 475/331
2017/0205753	A1 *	7/2017	Matsuda	F16H 1/28
2017/0248047	A1 *	8/2017	Simpson	F01L 1/352
2017/0254235	A1 *	9/2017	Pluta	F01L 1/352
2018/0010668	A1 *	1/2018	Hirano	F16H 1/28

OTHER PUBLICATIONS

Heiserman, David, Planetary Gearset, posted at free-ed, posting date Jun. 6, 2015. [online] [site visited Feb. 14, 2018]. Available from Internet. <URL: <http://www.free-ed.net/free-ed/Courses/15%20Transportation/AutoTruck03/AutoTruckShow.asp?iNum=050104>> (Year: 2015).*

Epicyclic gearing, posted at wikipedia, posting date Dec. 30, 2016. [online] [site visited Feb. 14, 2018]. Available from Internet. <URL:

https://web.archive.org/web/20161230101216/https://en.wikipedia.org/wiki/Epicyclic_gearing> (Year: 2016).*

Excavator final drive swing planetary, posted at SQT Corp, posting date not available. [online] [site visited Feb. 14, 2018]. Available from Internet. <URL: <http://sqt-parts.en.hisupplier.com/product-1988699-Excavator-final-drive-swing-planetary-carrier-2024086.html>>.*

Auto-locking Hub Actuator, posted at 1A Auto, posting date not available. [online] [site visited Feb. 12, 2018]. Available from Internet. <URL: <https://www.1aauto.com/ford-f150-truck-4wd-parts/mo-c/1521-30>>.*

Rife Scope, China Customized Products Differential Planetary, posted at Xavier, posting date Mar. 11, 2017. [online] [site visited Feb. 14, 2018]. From Internet. <https://web.archive.org/web/20170311172527/http://www.zwe-cnc.com:80/Metal_Processing_Parts/rifle-scope/rifle-scope-China-Customized-P.html> (Year: 2017).*

Metal_Processing_Parts/rifle-scope/rifle-scope-China-Customized-P.html (Year: 2017).*

Sk200-5 planet carrier, posted at Alibaba, posting date not available. [online] [site visited Feb. 14, 2018]. Available from Internet. <URL: https://m.alibaba.com/product/1821178509/SK200-5-planet-carrier-YN32W01019F1-for.html?spm=a2706.7843667.1998817009.6.ai9tsB#show_specifications>.*

Volvo EC210C Ring sun gear, posted at Alibaba, photo date Apr. 2, 2011. [online] [site visited Feb. 14, 2018]. Available from Internet. <URL: https://www.alibaba.com/product-detail/Volvo-EC210C-Ring-sun-gear-7117_60516288138.html> (Year: 2011).*

* cited by examiner

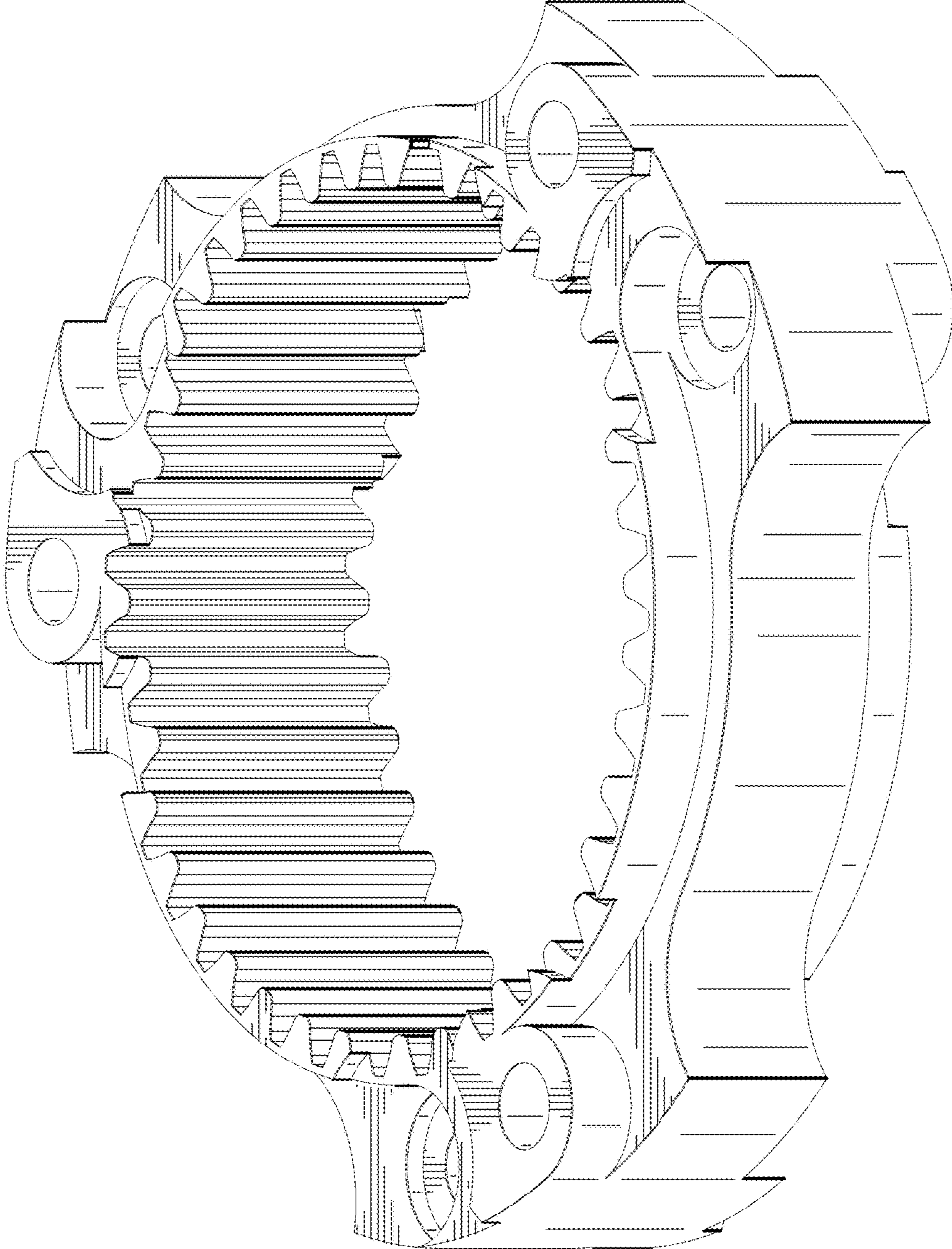


FIG. 1

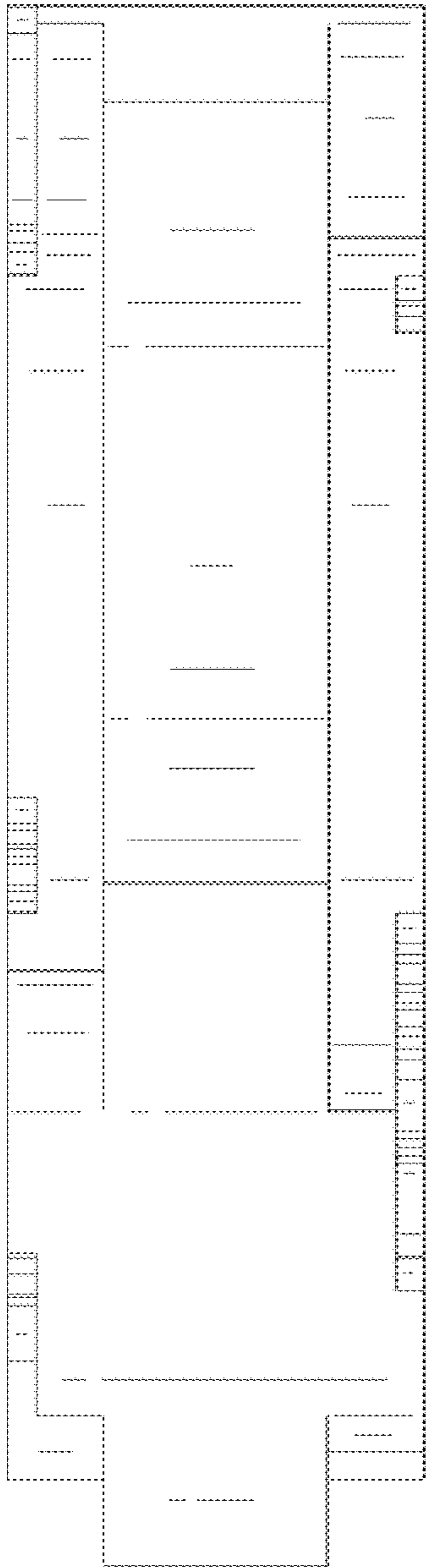


FIG. 2

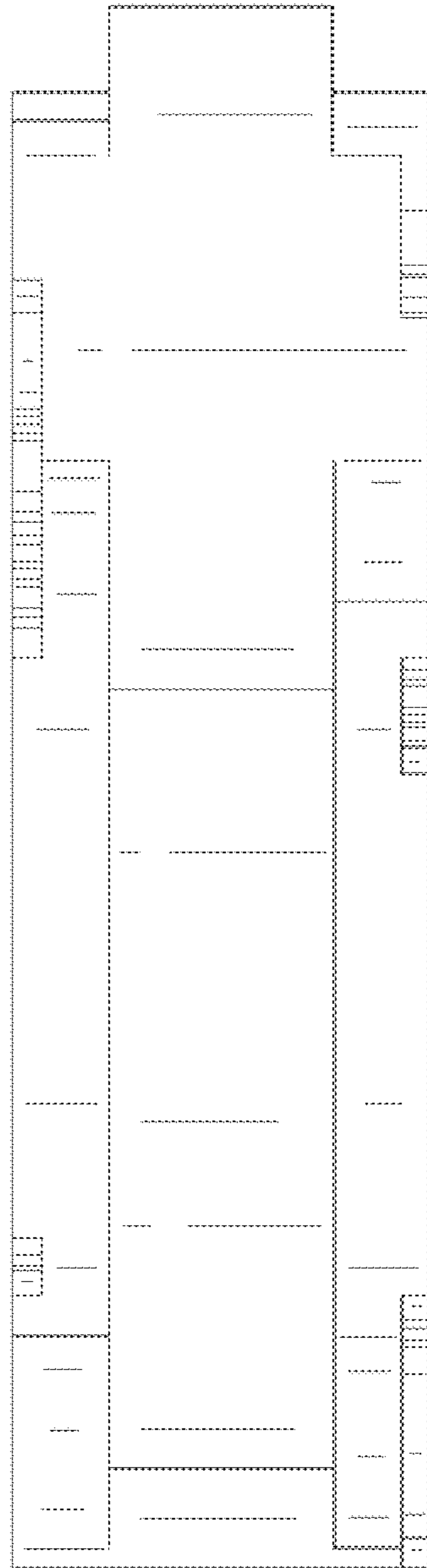


FIG. 3

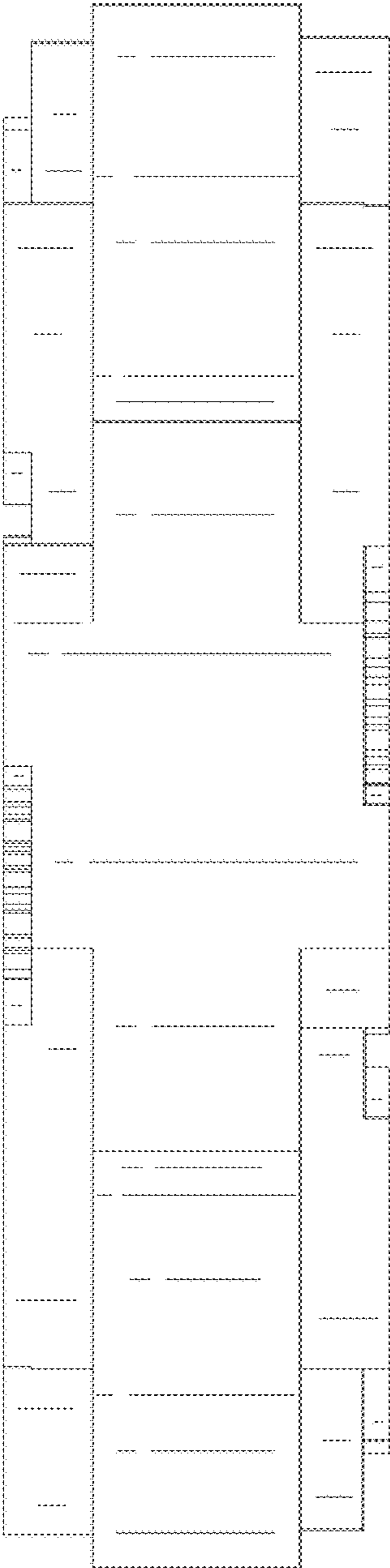


FIG. 4

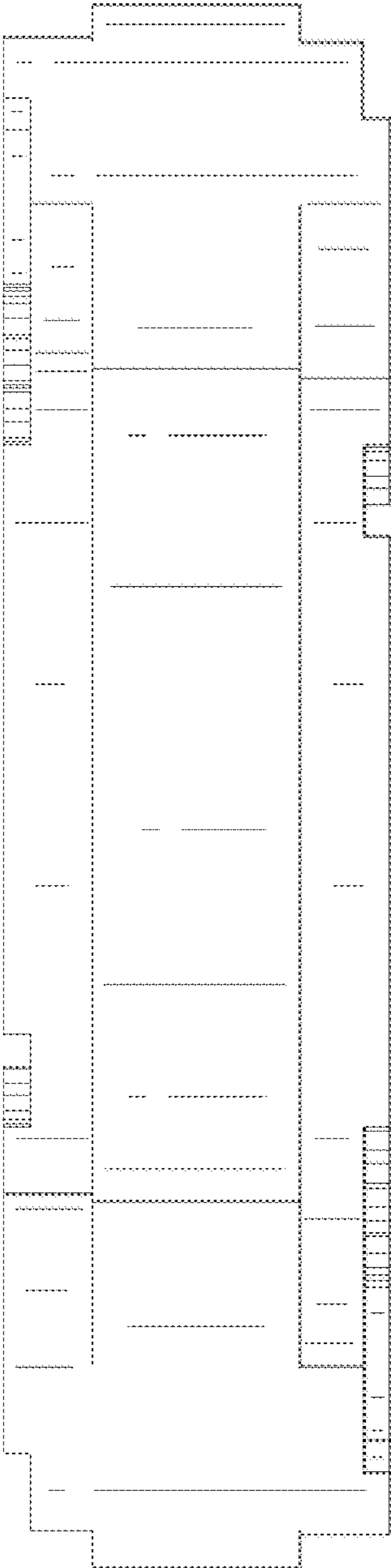


FIG. 5

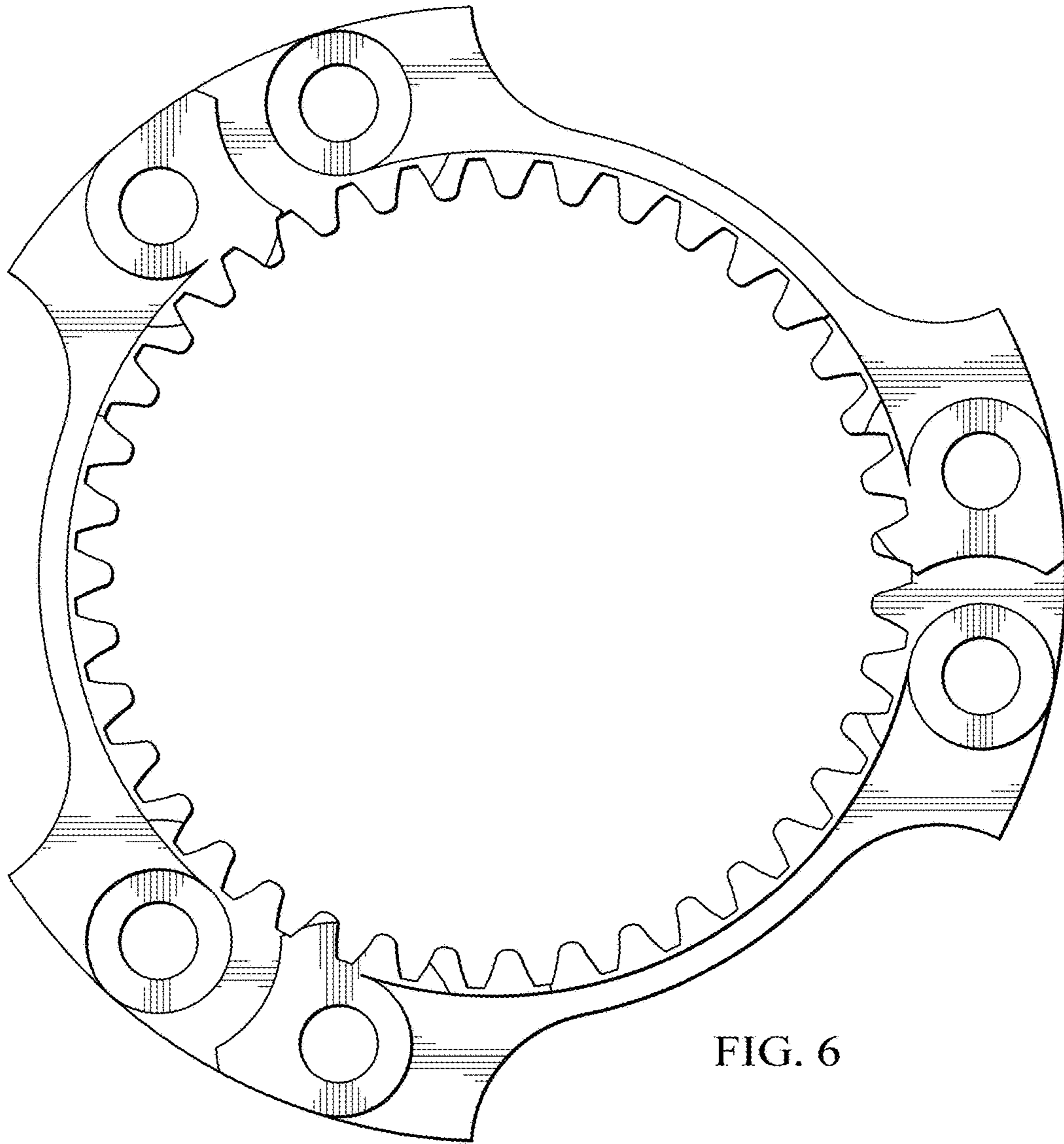


FIG. 6

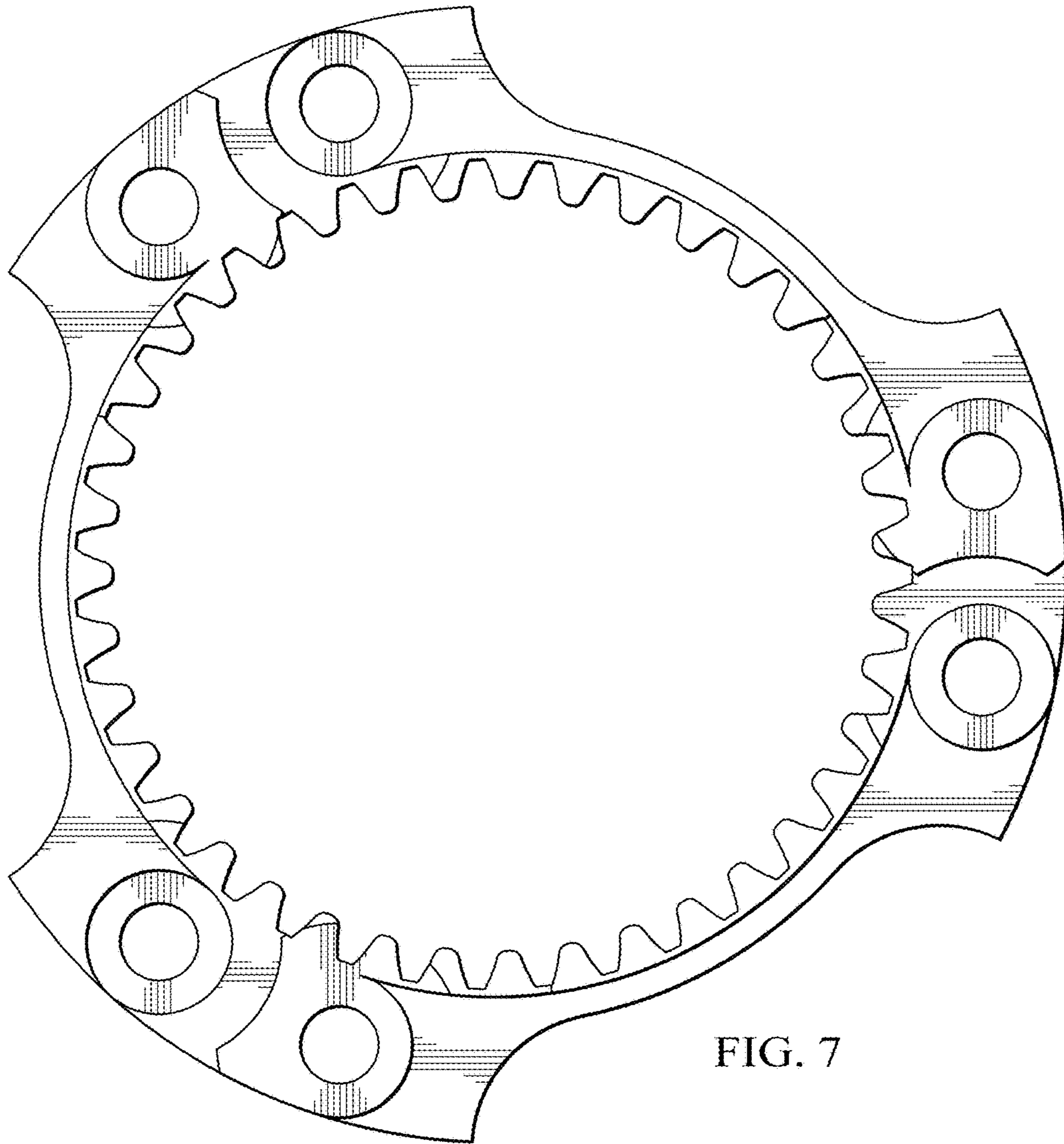


FIG. 7