



US00D827688S

(12) **United States Design Patent** (10) **Patent No.:** **US D827,688 S**  
**Lin** (45) **Date of Patent:** **\*\* Sep. 4, 2018**

(54) **ELECTRIC WELDING MACHINE**  
(71) Applicant: **Yang Lin**, Taizhou (CN)  
(72) Inventor: **Yang Lin**, Taizhou (CN)  
(\*\*) Term: **15 Years**  
(21) Appl. No.: **29/585,739**  
(22) Filed: **Nov. 28, 2016**  
(30) **Foreign Application Priority Data**  
Jul. 30, 2016 (CN) ..... 2016 3 0358458  
(51) **LOC (11) Cl.** ..... **15-09**  
(52) **U.S. Cl.**  
USPC ..... **D15/144**  
(58) **Field of Classification Search**  
USPC ..... 8/29.1, 30; 13/123, 133, 144; 15/144,  
15/144.1, 144.2  
CPC ..... B23K 9/32; B23K 9/028; B23K 9/1006;  
B23K 9/1735; B23K 11/28; B23K 37/053  
See application file for complete search history.

(56) **References Cited**  
U.S. PATENT DOCUMENTS  
D275,292 S \* 8/1984 Bouman ..... D15/144  
4,496,822 A \* 1/1985 Jegers ..... B23K 37/02  
219/125.1  
D280,329 S \* 8/1985 Bouman ..... D15/144  
6,531,683 B1 \* 3/2003 Lawrence ..... B23K 9/133  
219/125.1  
6,590,184 B1 \* 7/2003 Andersen ..... B23K 7/10  
219/136  
6,596,972 B1 \* 7/2003 Di Novo ..... B23K 9/32  
219/136  
D631,074 S \* 1/2011 Peters ..... D15/144  
D742,444 S \* 11/2015 Leach ..... D15/144  
D772,965 S \* 11/2016 Westlake ..... D15/144  
RE46,313 E \* 2/2017 Johnson ..... D15/144

9,756,456 B2 \* 9/2017 Dina ..... H04W 4/008  
2003/0213789 A1 \* 11/2003 Andersen ..... B23K 9/10  
219/130.1  
2006/0043082 A1 \* 3/2006 Martin ..... B23K 9/32  
219/130.5  
2007/0090163 A1 \* 4/2007 Di Novo ..... B23K 9/1006  
228/101  
2008/0135695 A1 \* 6/2008 Ertmer ..... B23K 9/32  
248/154  
2009/0230118 A1 \* 9/2009 Romenesko ..... B23K 9/327  
219/520  
2011/0030723 A1 \* 2/2011 Langeder ..... B08B 7/00  
134/1  
2011/0095009 A1 \* 4/2011 Kindig ..... B23K 9/10  
219/130.1  
2012/0241417 A1 \* 9/2012 Mehn ..... B23K 9/0956  
219/108  
2013/0048699 A1 \* 2/2013 Fuerlinger ..... B23K 9/122  
228/41

(Continued)

*Primary Examiner* — Patricia A Palasik  
(74) *Attorney, Agent, or Firm* — Sarika Singh; McNeely,  
Hare & War LLP.

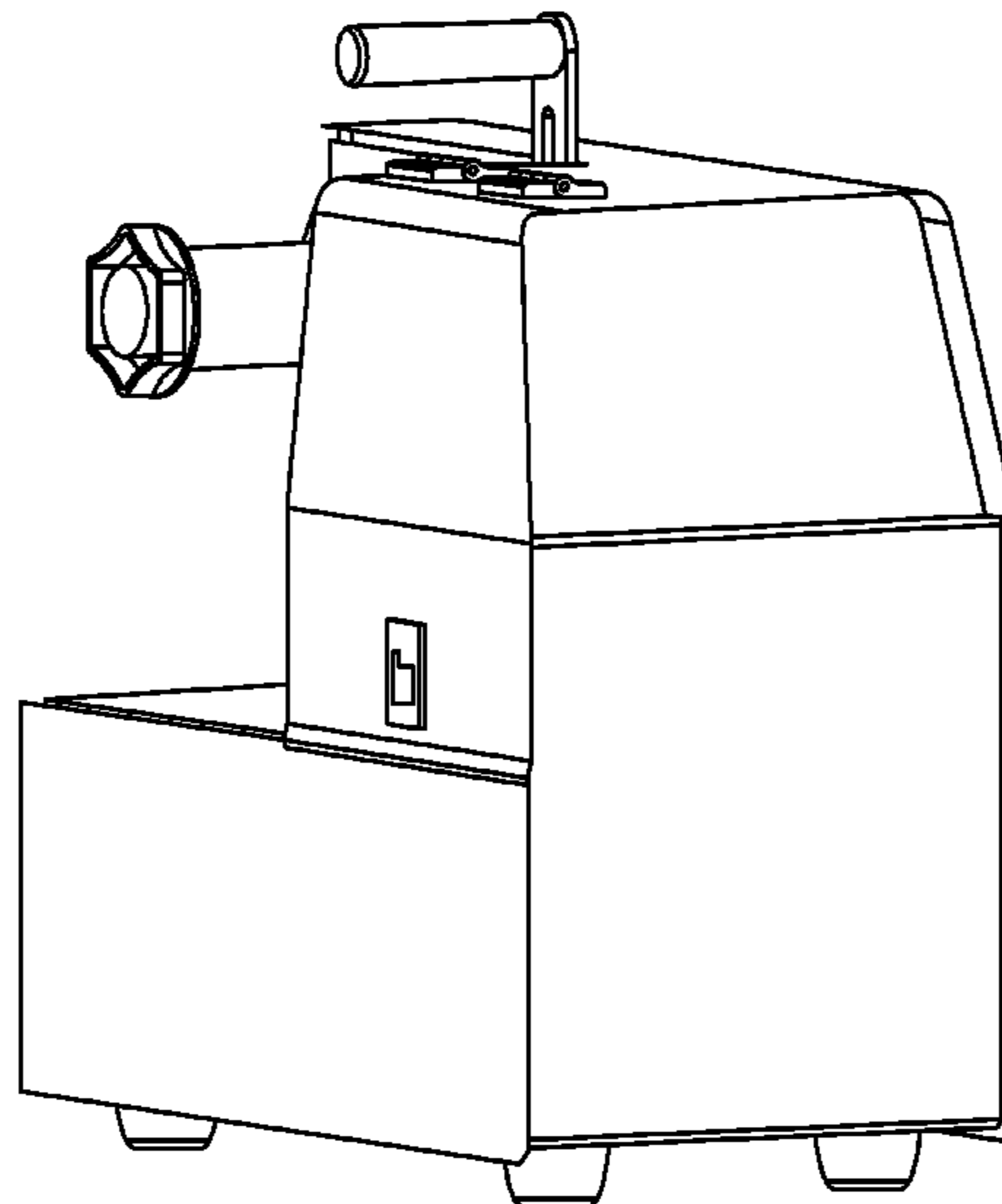
(57) **CLAIM**

The ornamental design for an electric welding machine, as shown and described.

**DESCRIPTION**

FIG. 1 is a front view of an electric welding machine showing my new design;  
FIG. 2 is a back view thereof;  
FIG. 3 is a left view thereof;  
FIG. 4 is a right view thereof;  
FIG. 5 is a top view thereof;  
FIG. 6 is a bottom view thereof; and,  
FIG. 7 is a perspective view thereof.  
The broken lines in the drawings depict unclaimed environmental subject matter.

**1 Claim, 7 Drawing Sheets**



(56)

**References Cited**

U.S. PATENT DOCUMENTS

2016/0016248 A1\* 1/2016 Susin ..... G08B 6/00  
219/130.01  
2017/0129035 A1\* 5/2017 Westlake ..... B23K 9/1006  
2017/0144242 A1\* 5/2017 McQueen ..... B23K 9/044

\* cited by examiner

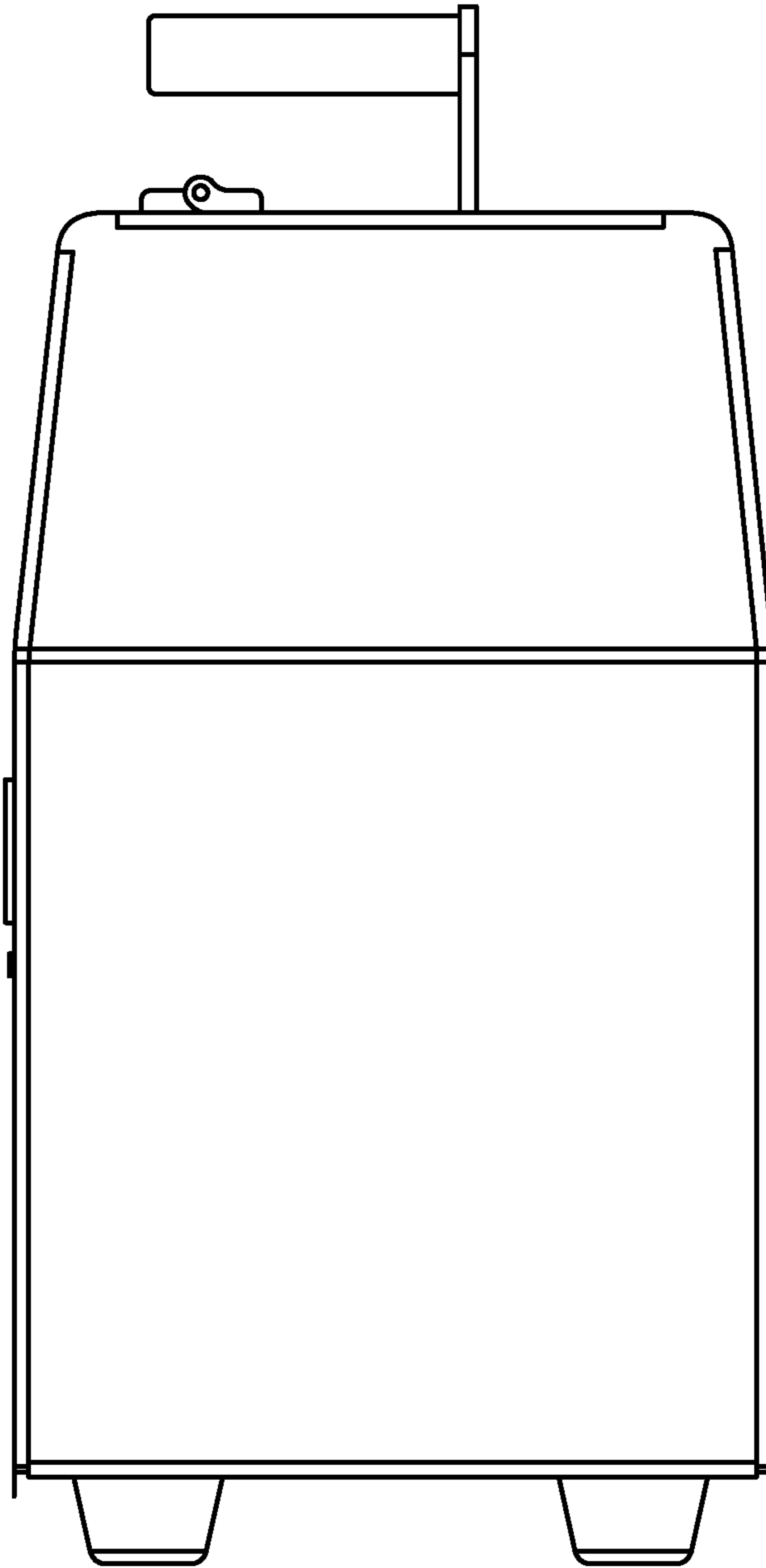


FIG. 1

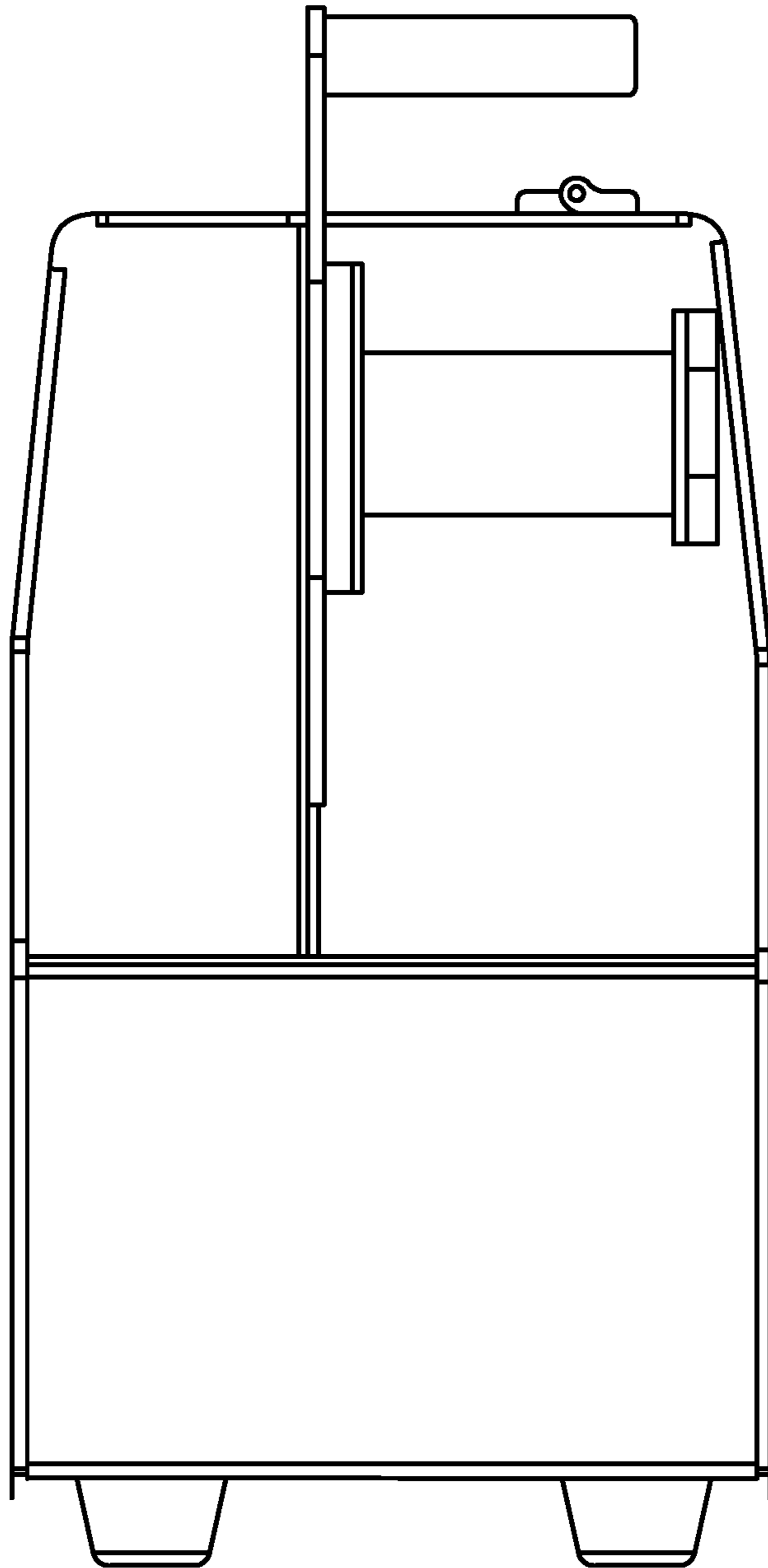


FIG. 2

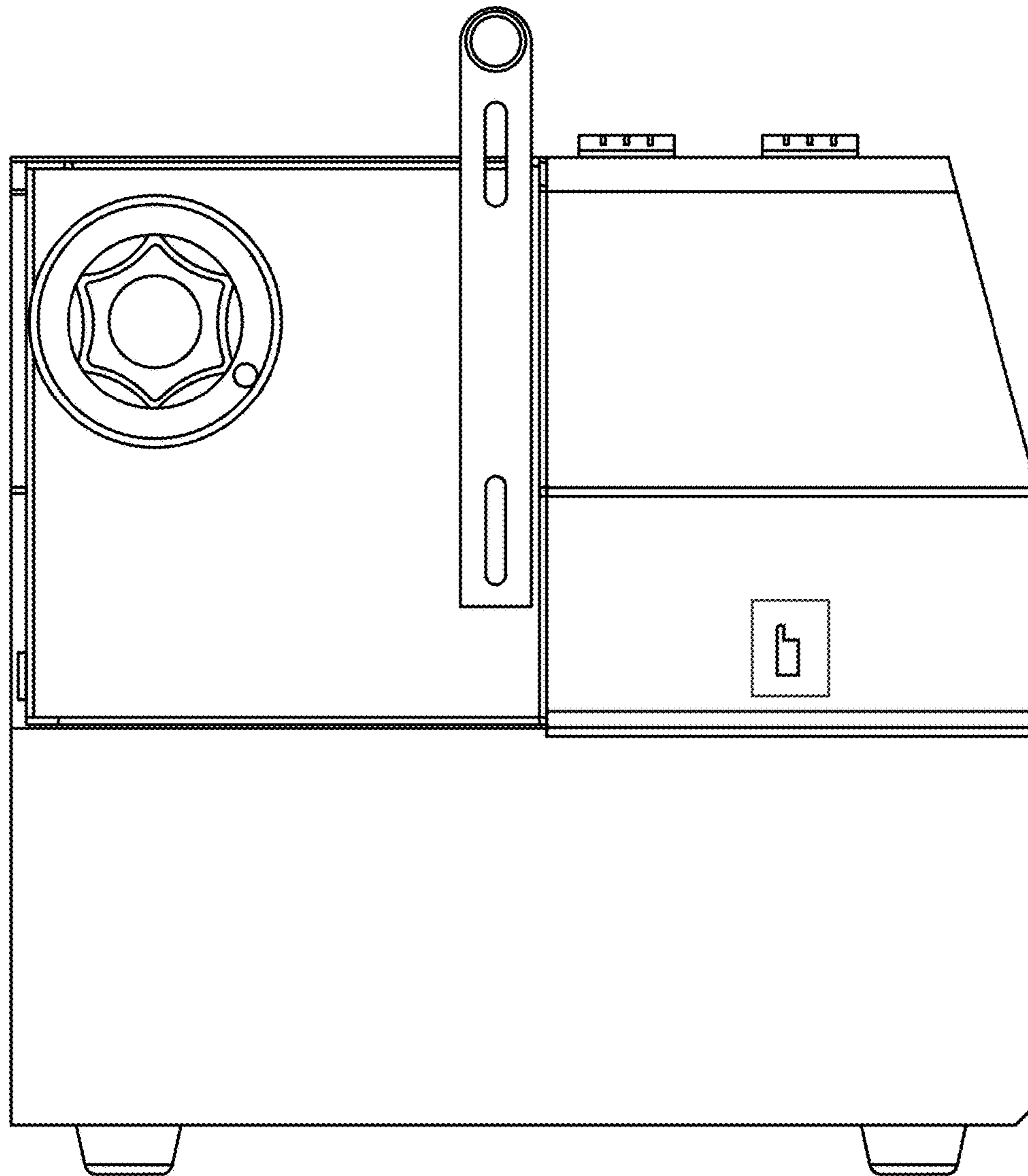


FIG. 3

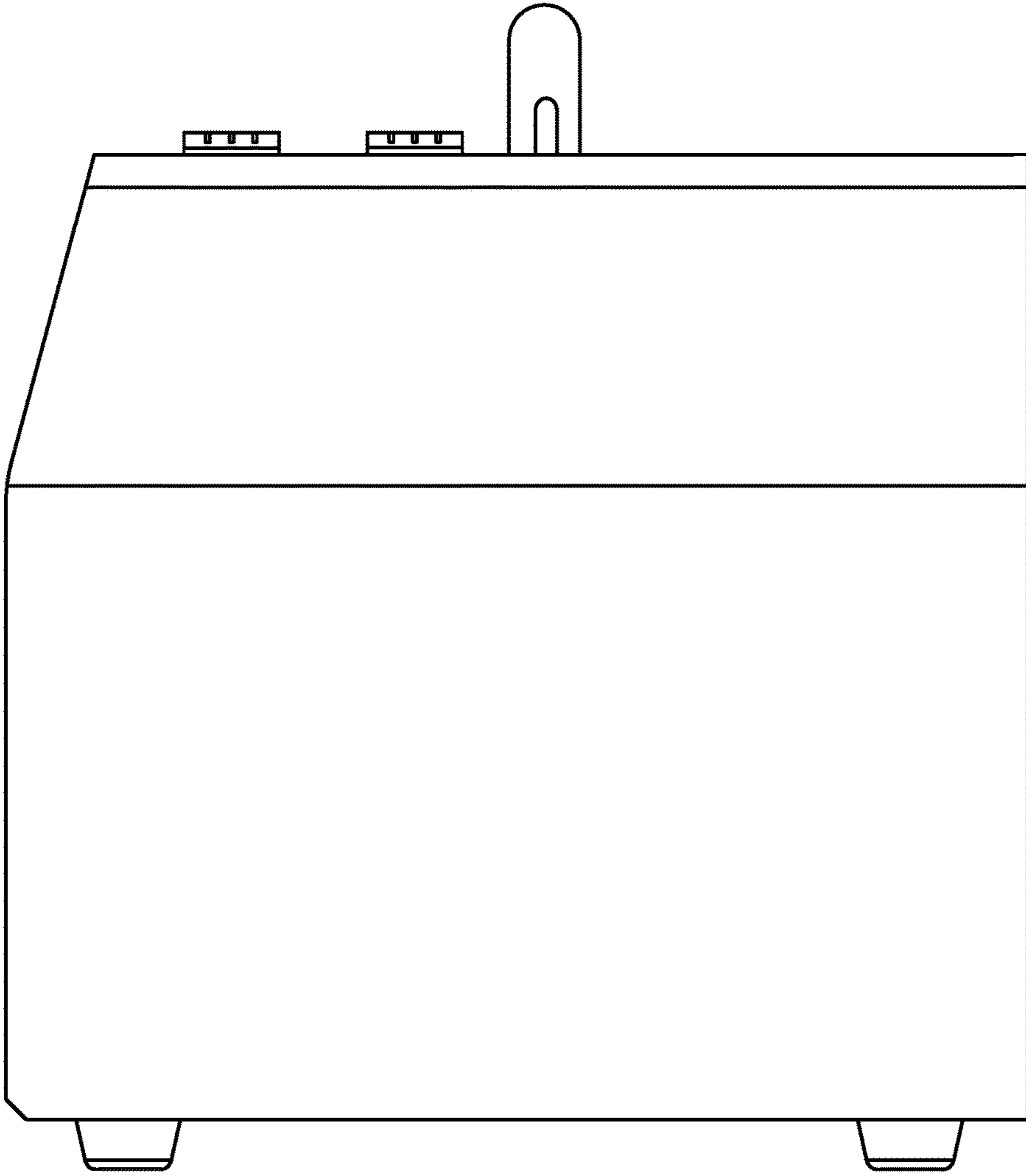


FIG. 4

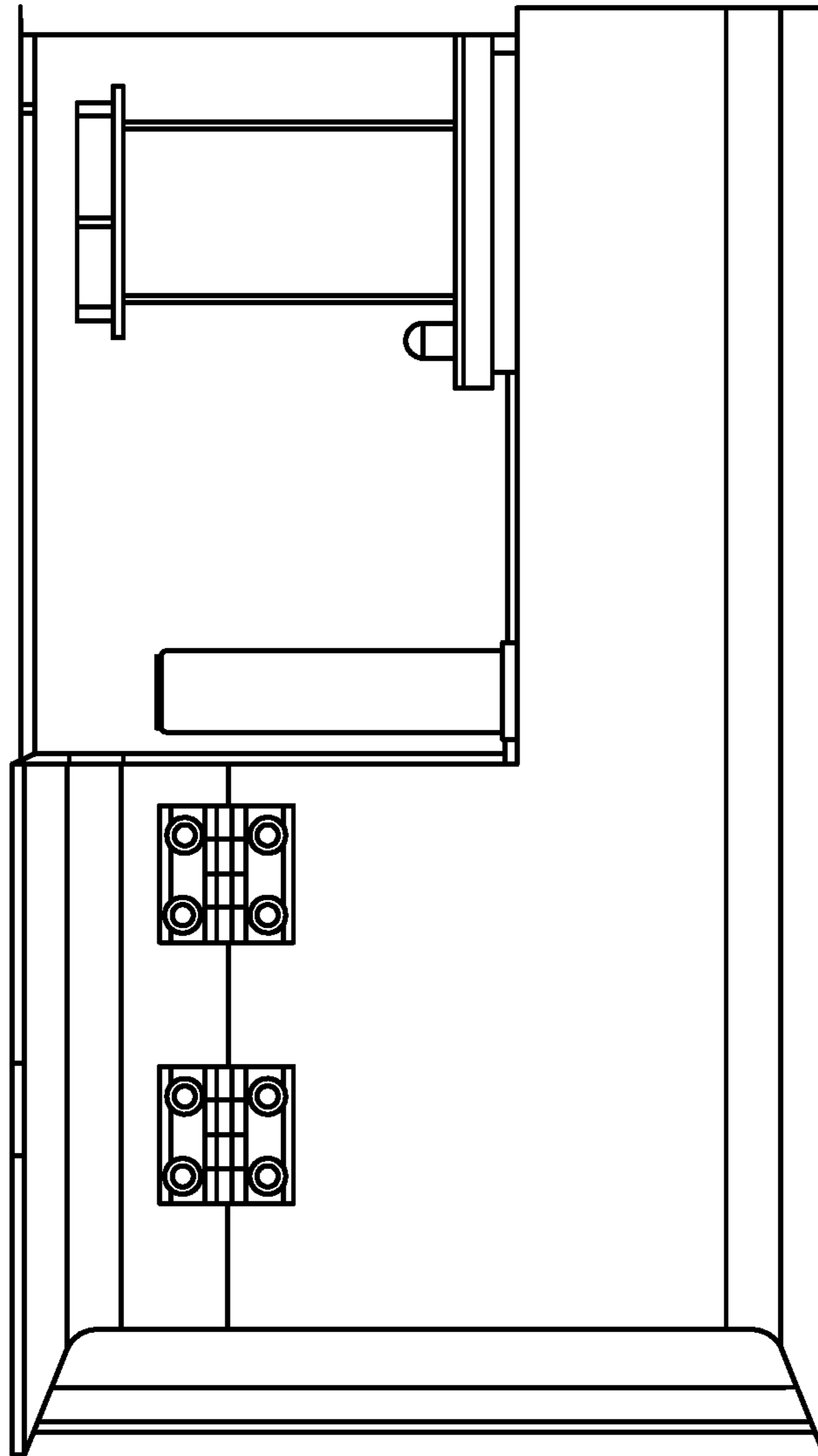


FIG. 5

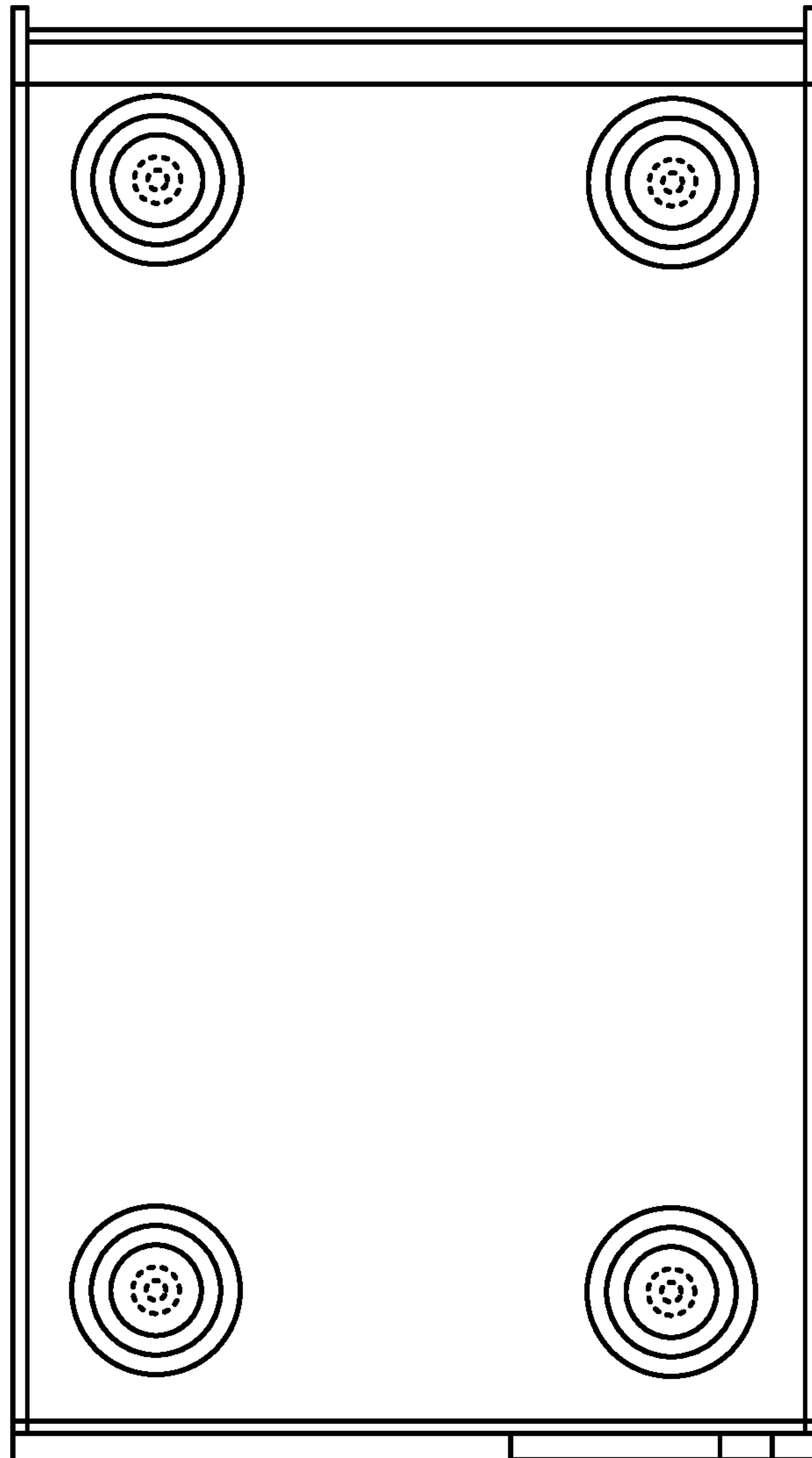


FIG. 6



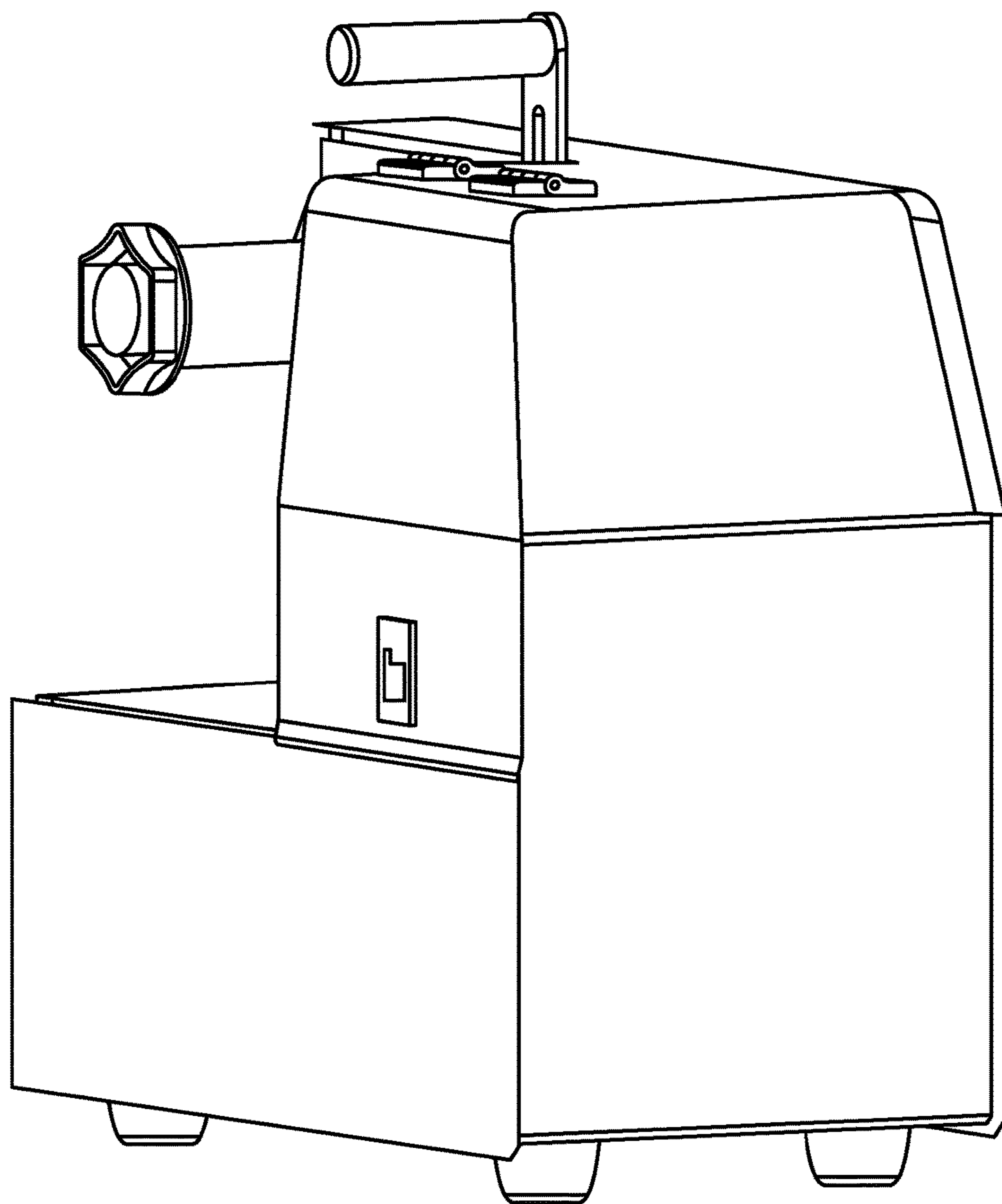


FIG. 7