



US00D827686S

(12) **United States Design Patent**
Weber

(10) **Patent No.:** **US D827,686 S**

(45) **Date of Patent:** **** Sep. 4, 2018**

(54) **CONNECTOR**

(71) Applicant: **KUKA Roboter GmbH**, Augsburg (DE)

(72) Inventor: **Reinhard Weber**, Waidhofen (DE)

(73) Assignee: **KUKA Roboter GmbH**, Augsburg (DE)

(**) Term: **15 Years**

(21) Appl. No.: **29/553,404**

(22) Filed: **Feb. 1, 2016**

(30) **Foreign Application Priority Data**

Jul. 31, 2015	(EM)	002746701-0004
Jul. 31, 2015	(EM)	002746701-0008
Jul. 31, 2015	(EM)	002746701-0011
Jul. 31, 2015	(EM)	002746701-0013
Jul. 31, 2015	(EM)	002746701-0016

(51) **LOC (11) Cl.** **15-09**

(52) **U.S. Cl.**
USPC **D15/138**

(58) **Field of Classification Search**
USPC D8/382; D13/133, 146, 147, 11;
D15/133, 199; D23/262; D24/109, 129,
D24/130
CPC F16L 33/00; F16L 33/223
See application file for complete search history.

(56) **References Cited**

U.S. PATENT DOCUMENTS

D517,904 S *	3/2006	Alkalay	D8/382
7,128,213 B2 *	10/2006	Tung	A61J 7/04 206/538
D569,955 S *	5/2008	Chen	D23/262
7,648,178 B1 *	1/2010	Andros	F16L 33/223 285/247

D651,696 S *	1/2012	Giordano	D23/262
D659,100 S *	5/2012	Deiss	D13/151
8,317,203 B2 *	11/2012	Hermle	A61B 90/50 279/140
D747,471 S *	1/2016	Gulliver	D24/129
D749,407 S *	2/2016	Naslund	D8/382
D752,719 S *	3/2016	Lehmann	D23/259
D756,929 S *	5/2016	Harck	D13/146

(Continued)

Primary Examiner — Patricia Ann Palasik

(74) *Attorney, Agent, or Firm* — Sterne, Kessler, Goldstein & Fox P.L.L.C.

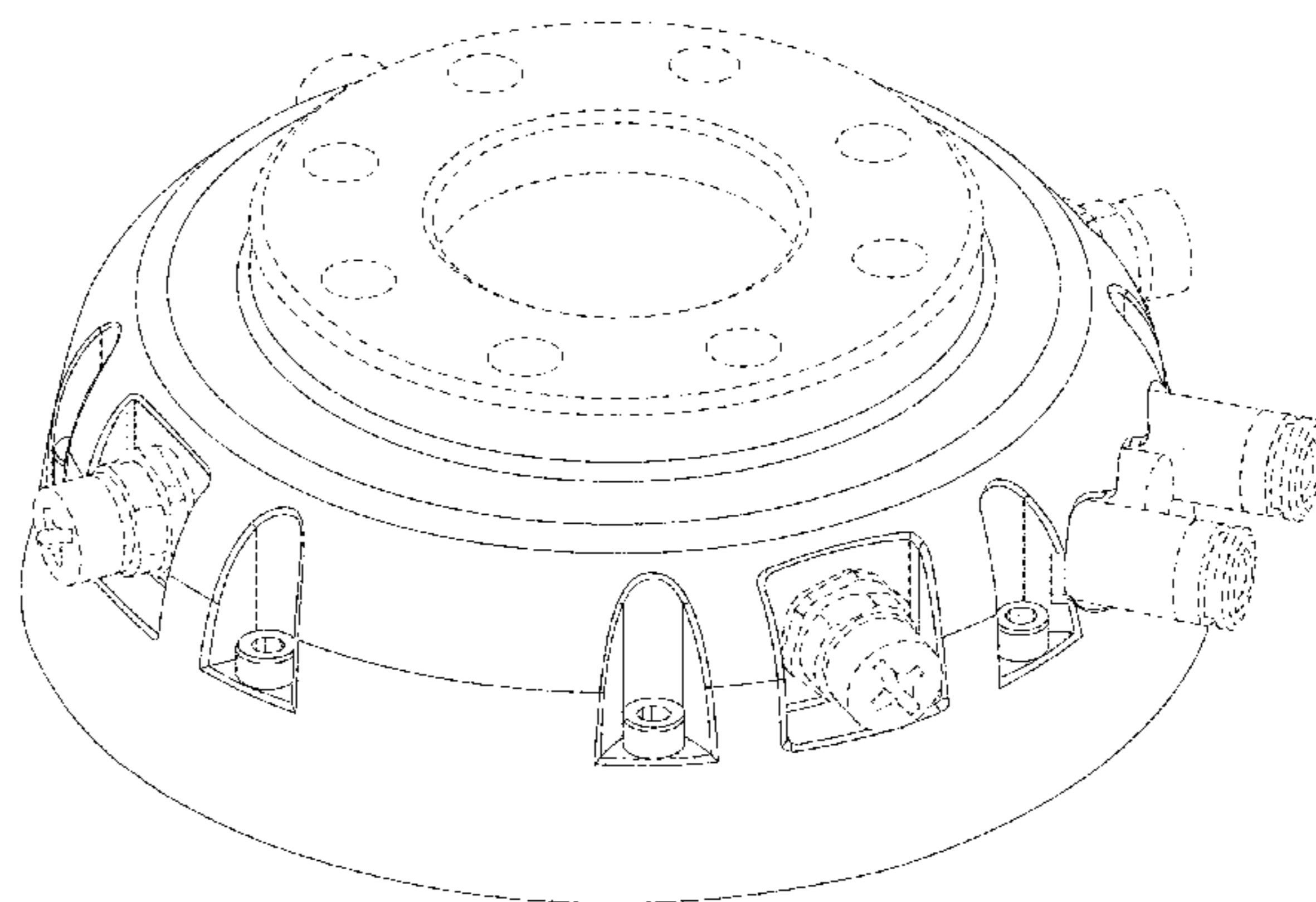
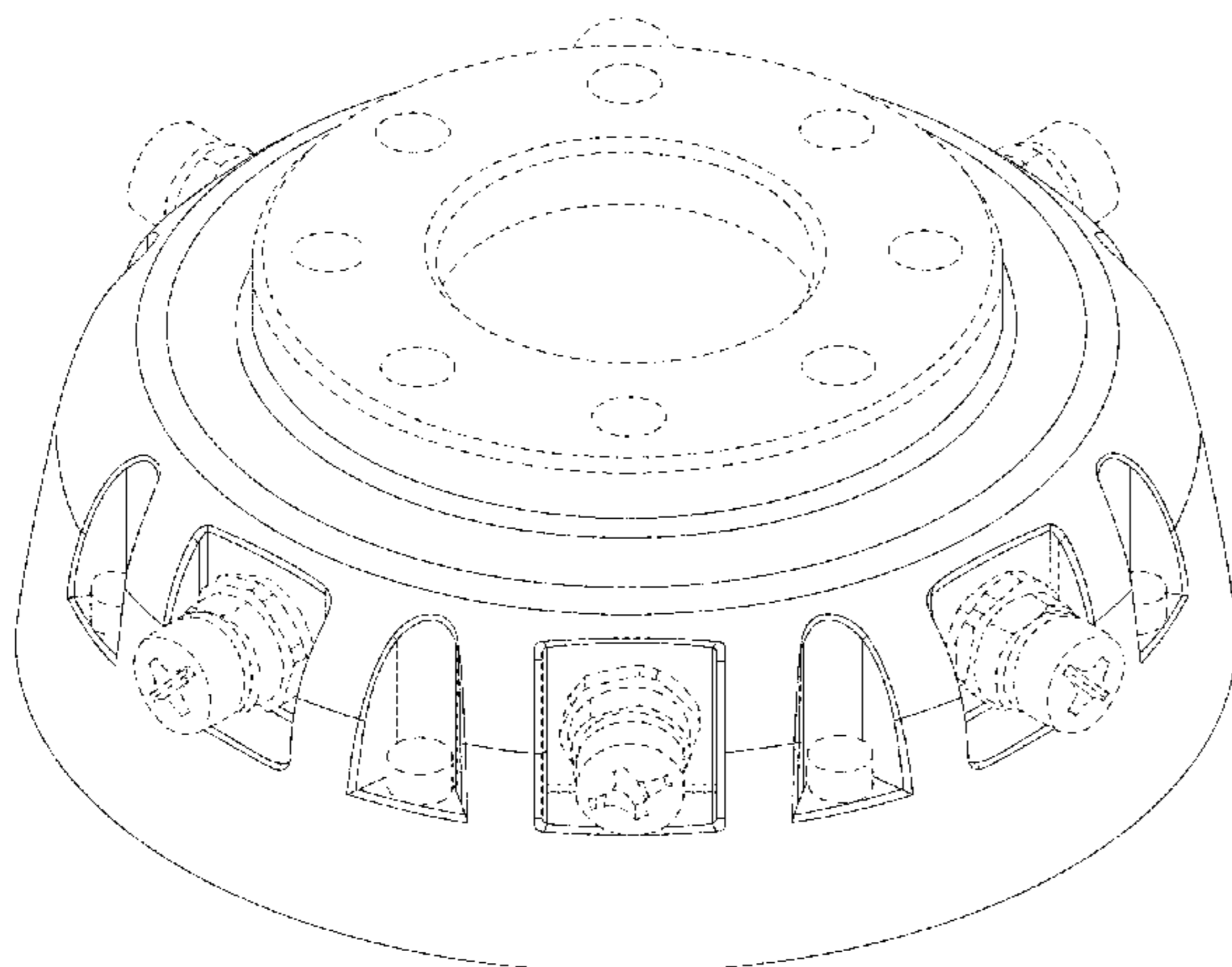
(57) **CLAIM**

The ornamental design for a connector, as shown and described.

DESCRIPTION

FIG. 1 is a top perspective view of a connector showing the claimed design;
 FIG. 2 is another top perspective view thereof;
 FIG. 3 is a front view thereof, the rear view being a mirror image thereof;
 FIG. 4 is a right side view thereof;
 FIG. 5 is a left side view thereof;
 FIG. 6 is a top view thereof; the bottom view forms no part of the claimed design;
 FIG. 7 is a top perspective view of the second embodiment of a connector showing my new the claimed design;
 FIG. 8 is another top perspective view thereof;
 FIG. 9 is another top perspective view thereof;
 FIG. 10 is a front view thereof;
 FIG. 11 is a rear view thereof;
 FIG. 12 is a left side view thereof, the right side view being a mirror image thereof; and,
 FIG. 13 is a top view thereof; the bottom view forms no part of the claimed design.
 The broken lines in the figures show portions of the connector that form no part of the claimed design.

1 Claim, 13 Drawing Sheets



(56)

References Cited

U.S. PATENT DOCUMENTS

D757,260 S *	5/2016	Lombardi, III	D24/129
D758,555 S *	6/2016	Van Dyke	D23/262
D760,363 S *	6/2016	Yang	D23/262
D769,332 S *	10/2016	Varini	D15/7
D770,384 S *	11/2016	Zetterqvist	D13/133
D770,598 S *	11/2016	Steele	D23/262
D771,247 S *	11/2016	Shinohara	D24/130
D771,572 S *	11/2016	Katagiyama	D13/156
D775,312 S *	12/2016	Boughton	D23/214
D781,787 S *	3/2017	Spiel	D13/149
D789,529 S *	6/2017	Davis	D24/130
D797,086 S *	9/2017	Lu	D14/240

* cited by examiner

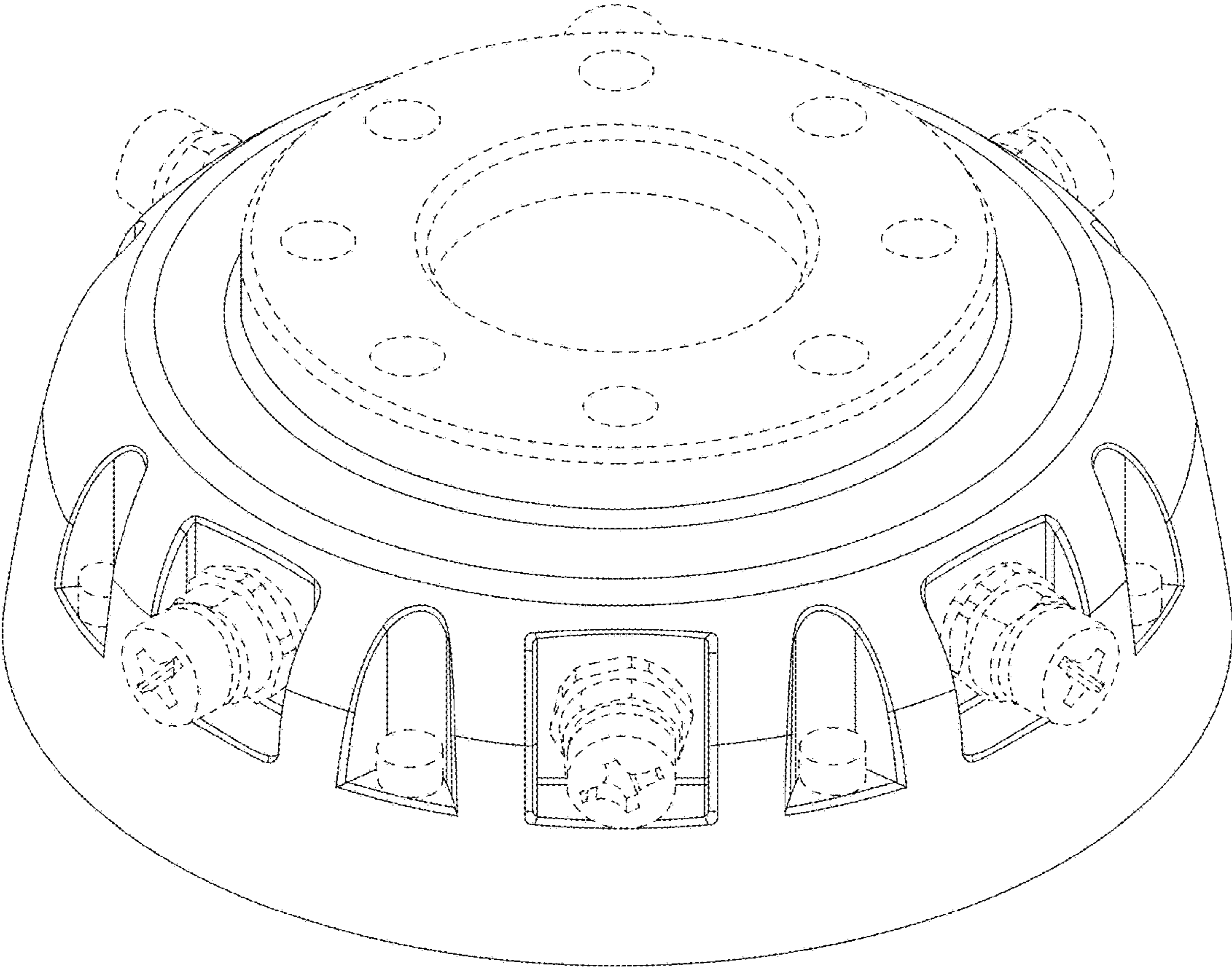


FIG. 1

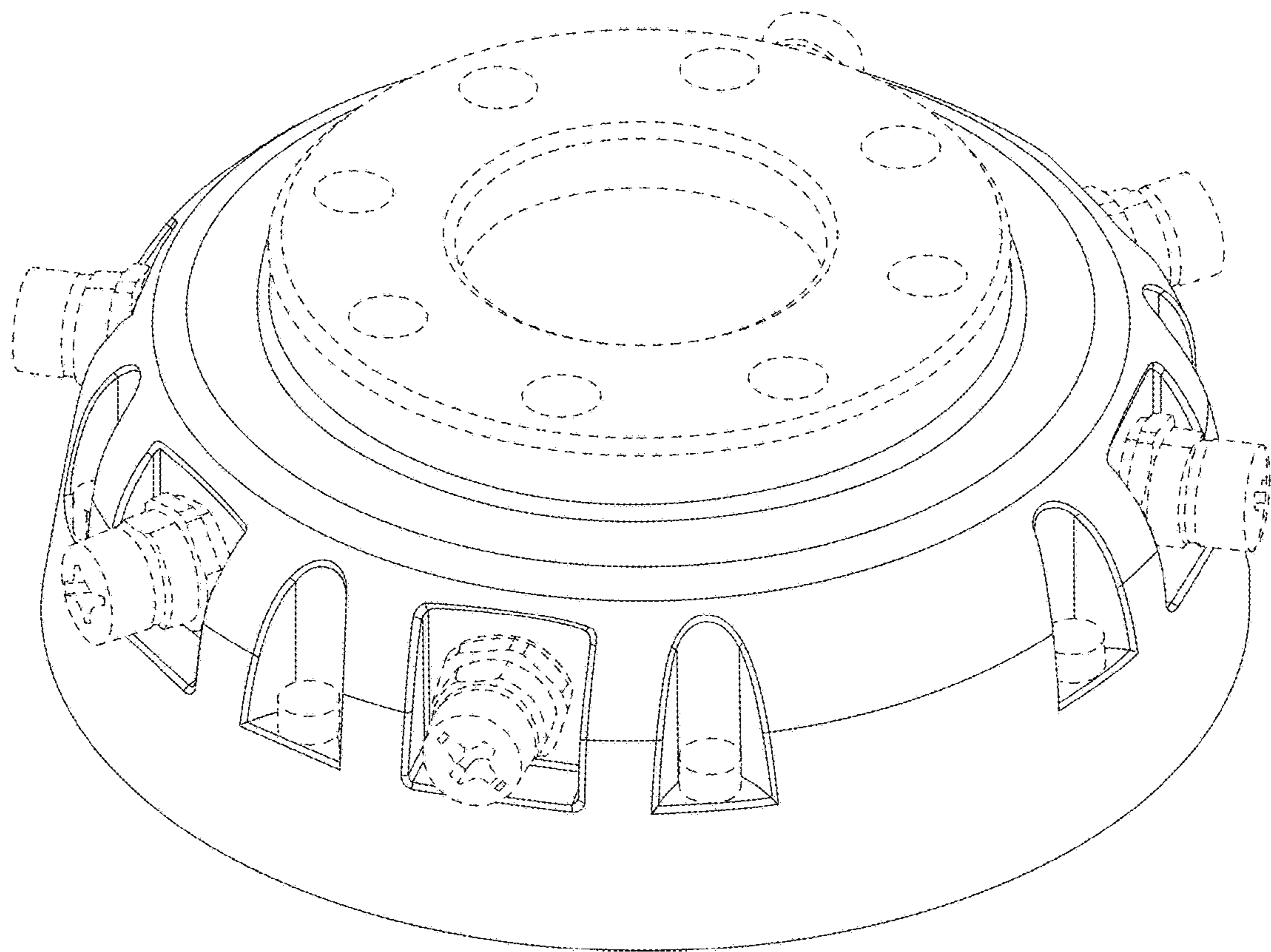


FIG. 2

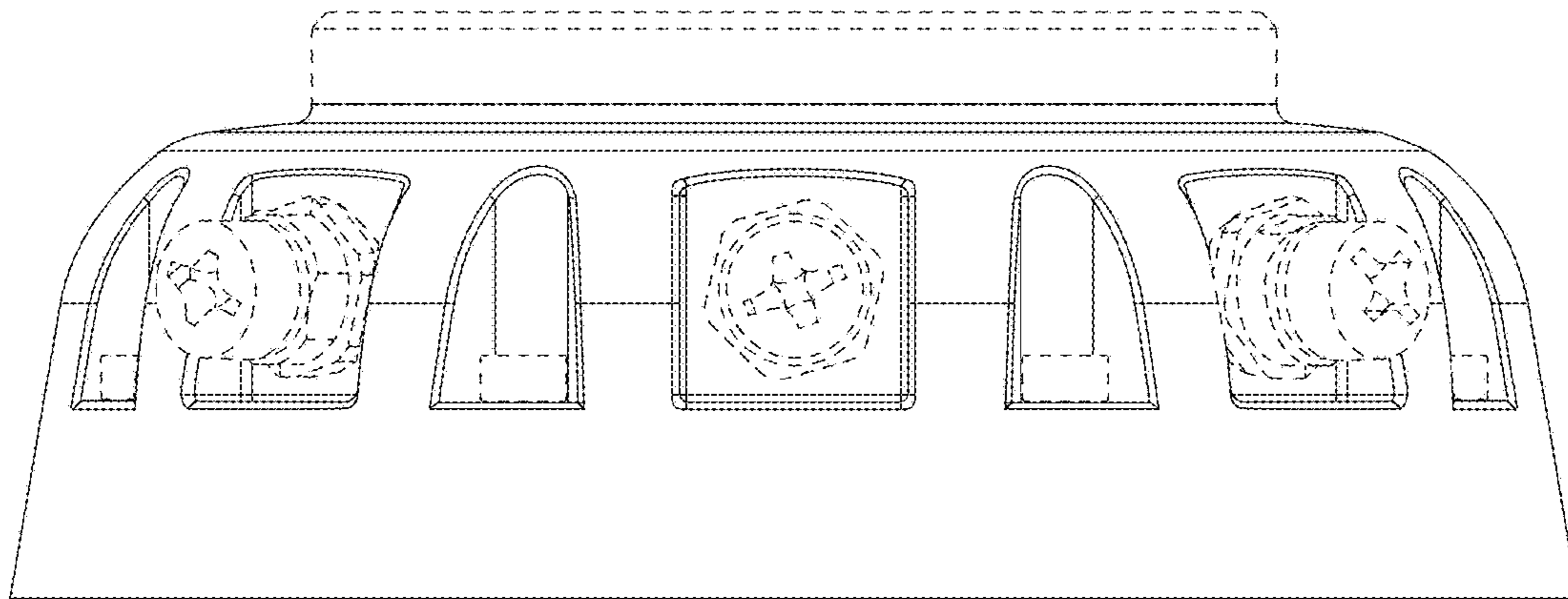


FIG. 3

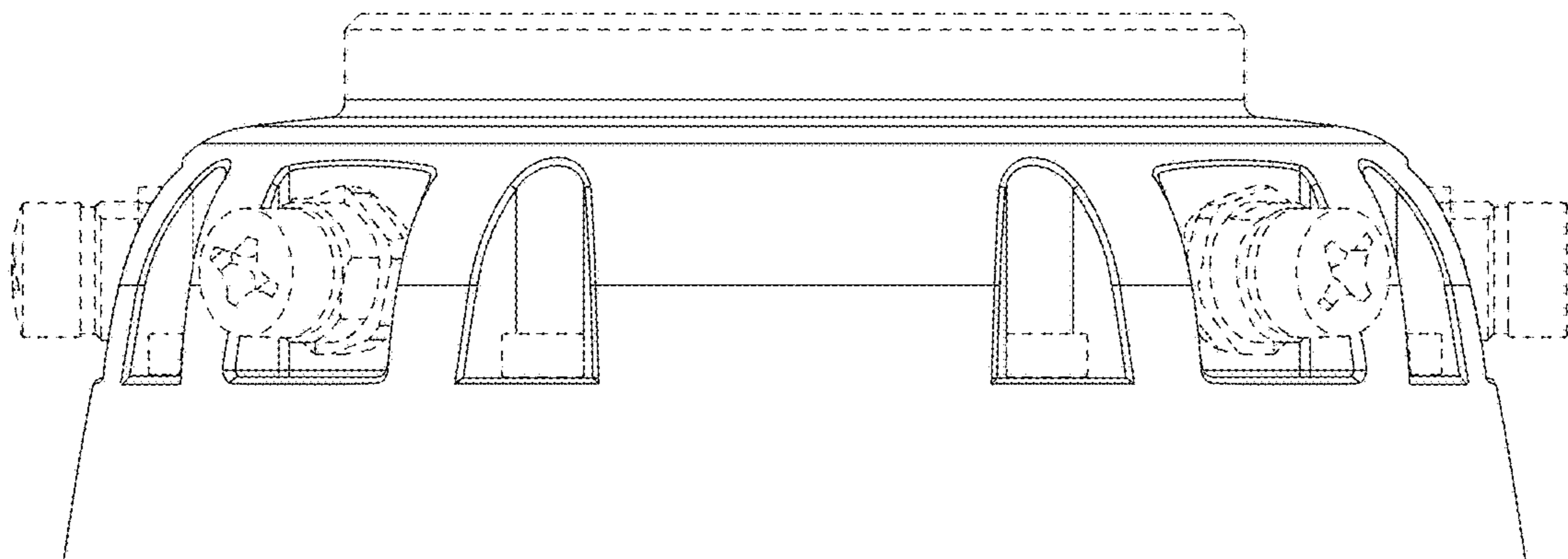


FIG. 4

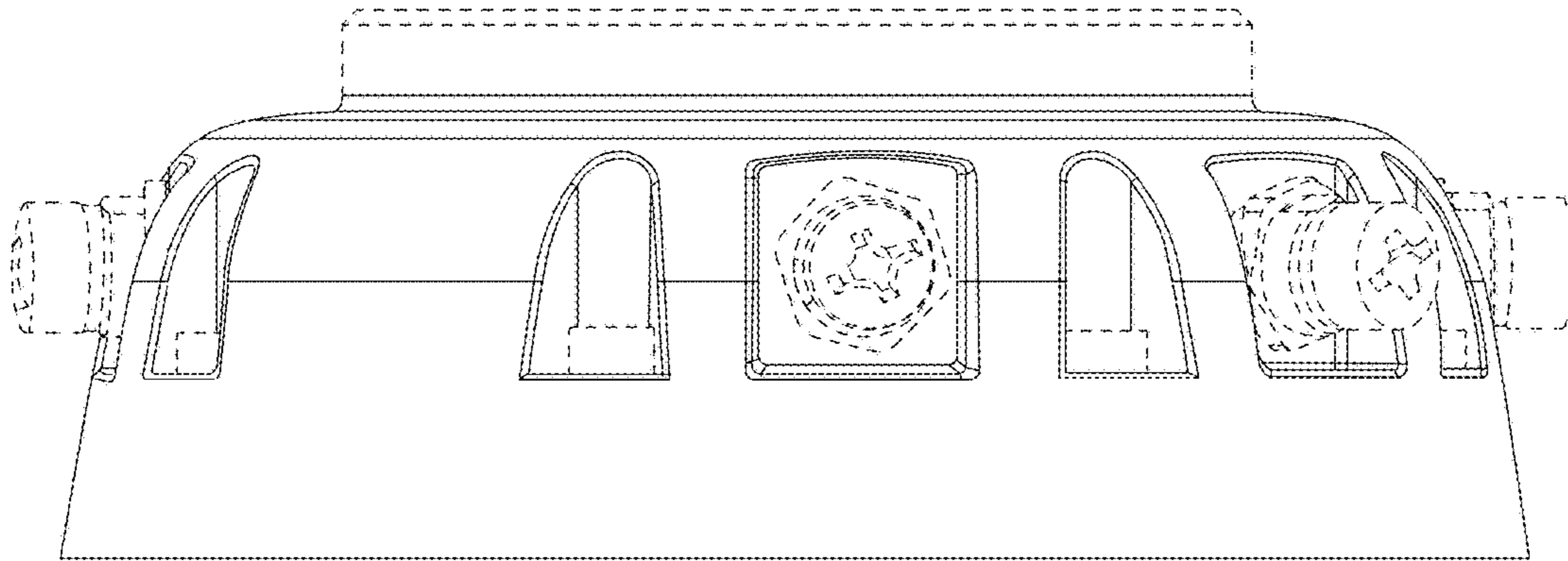


FIG. 5

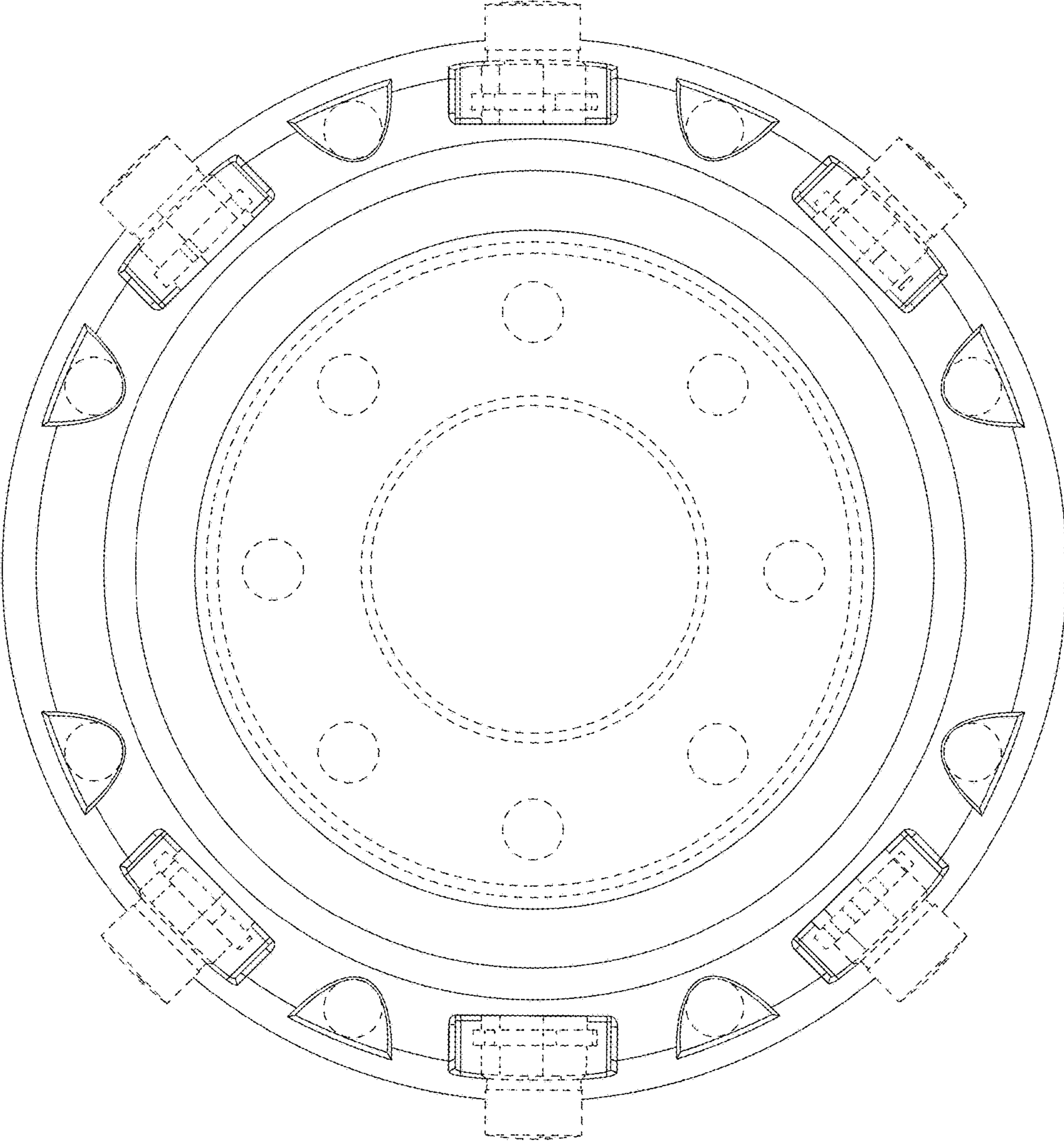


FIG. 6

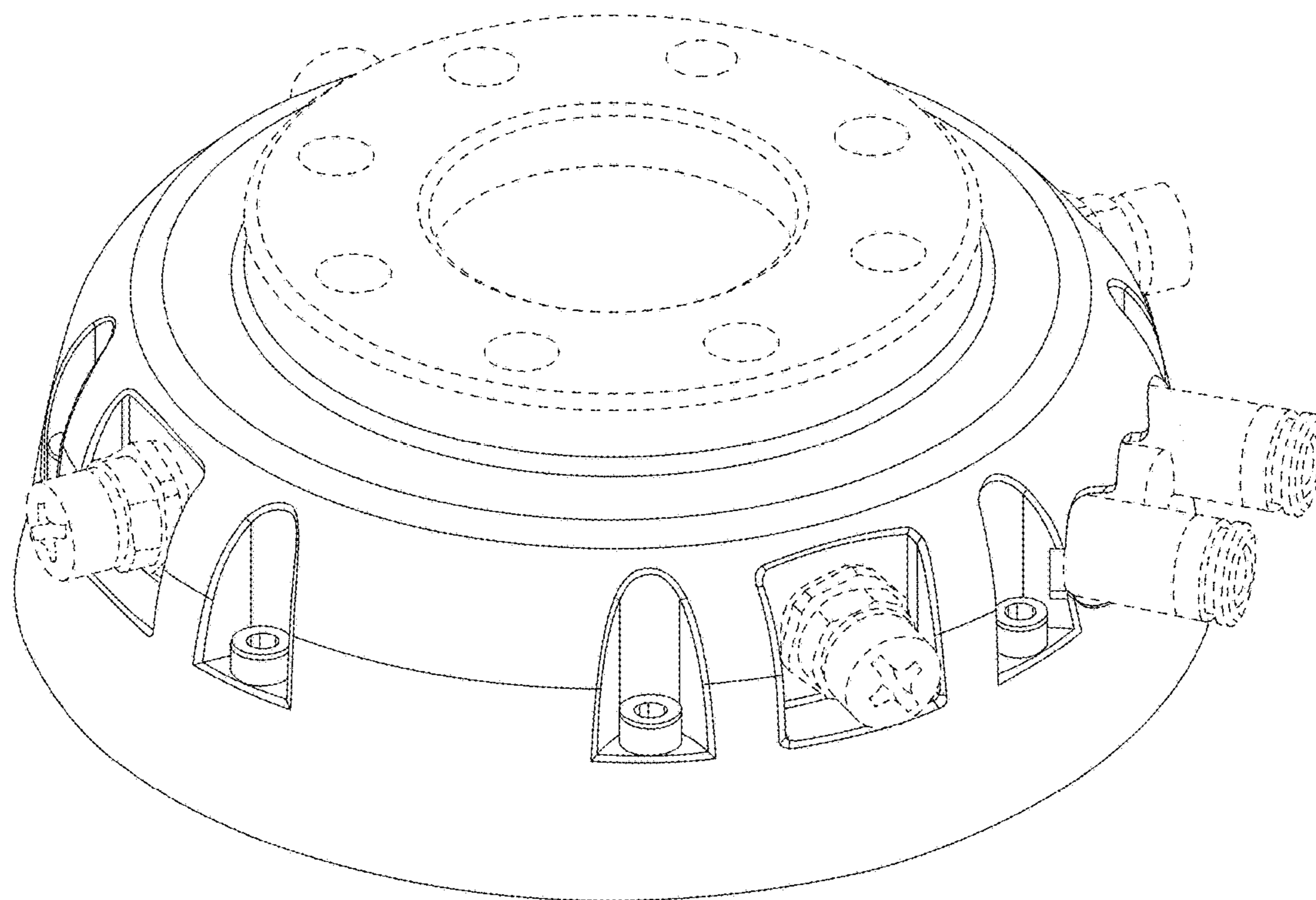


FIG. 7

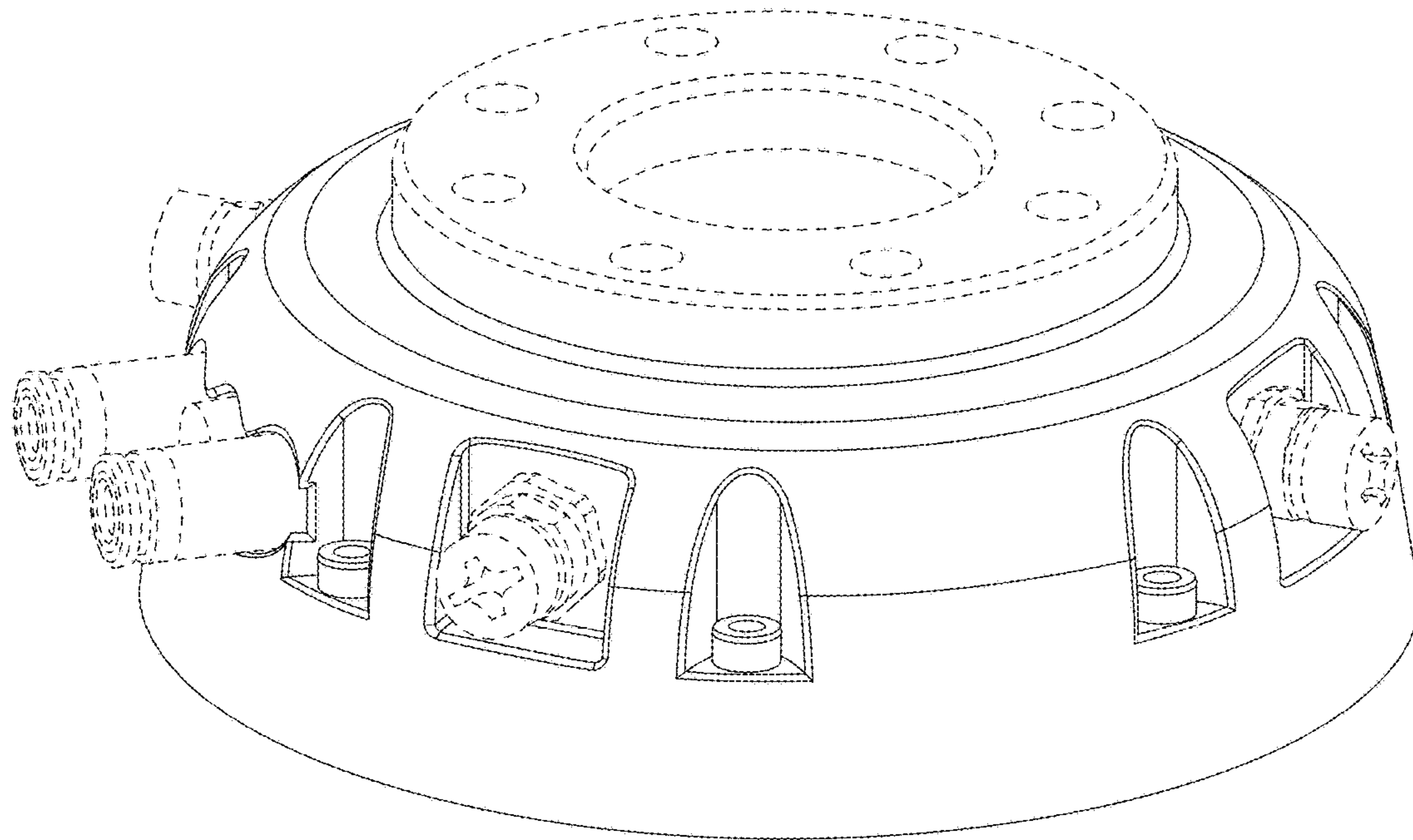


FIG. 8

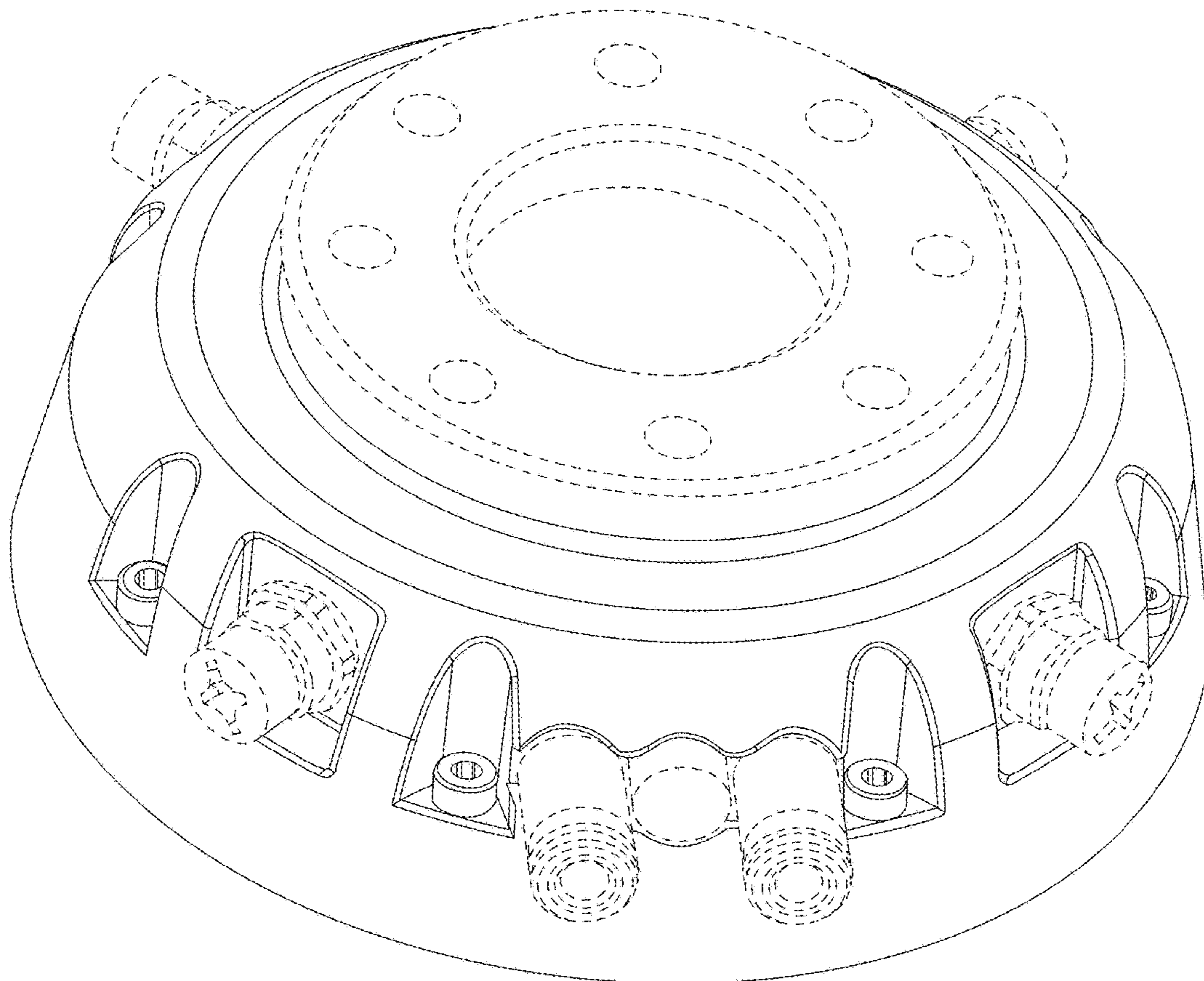


FIG. 9

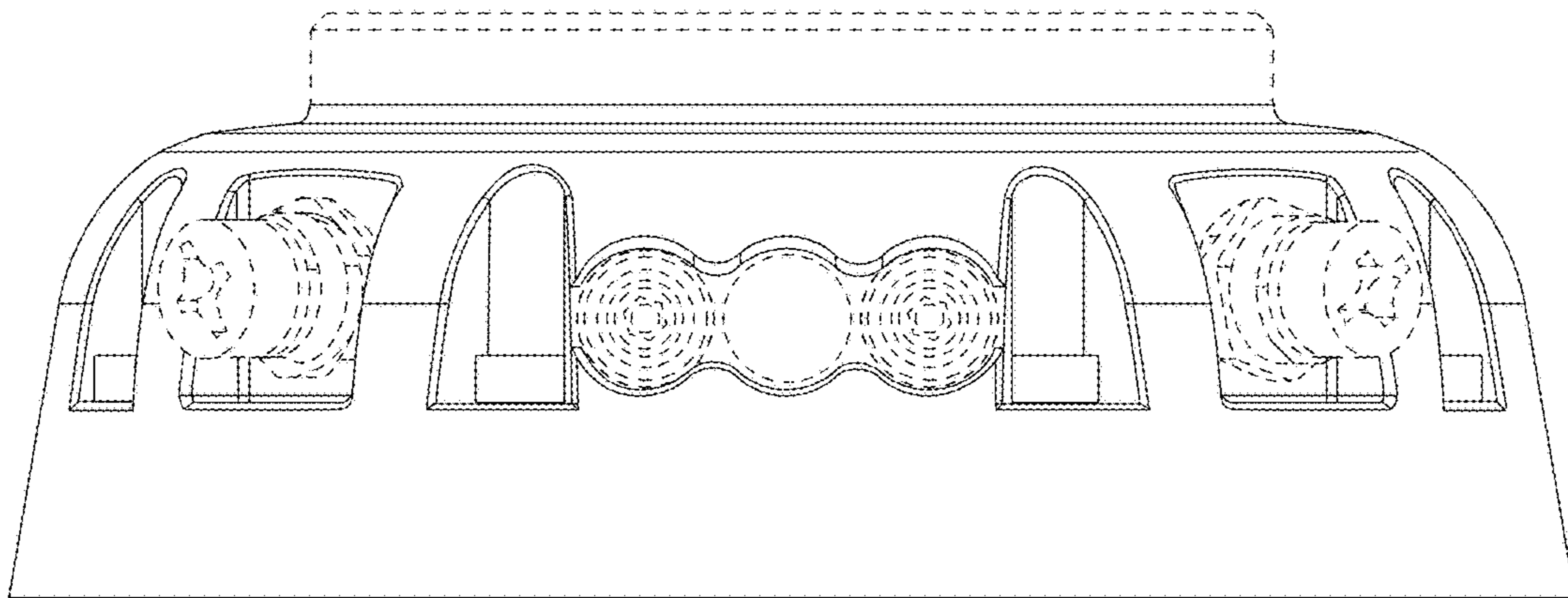


FIG. 10

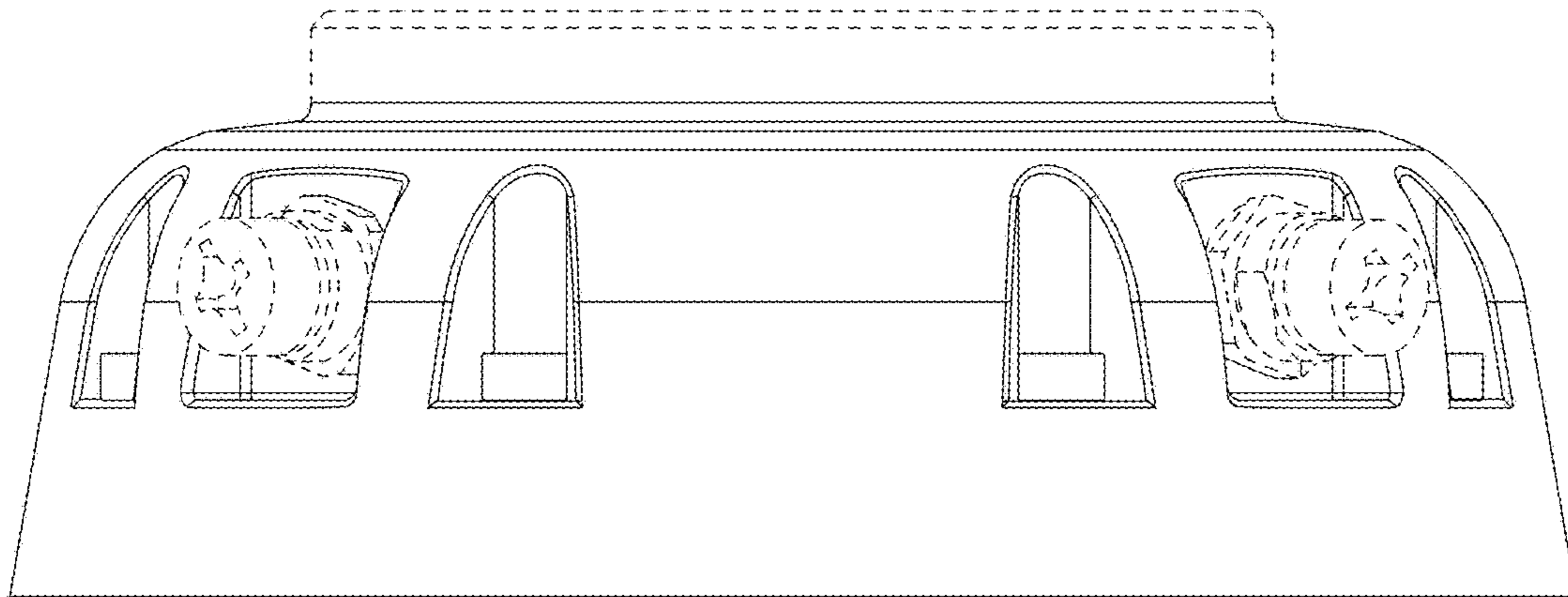


FIG. 11

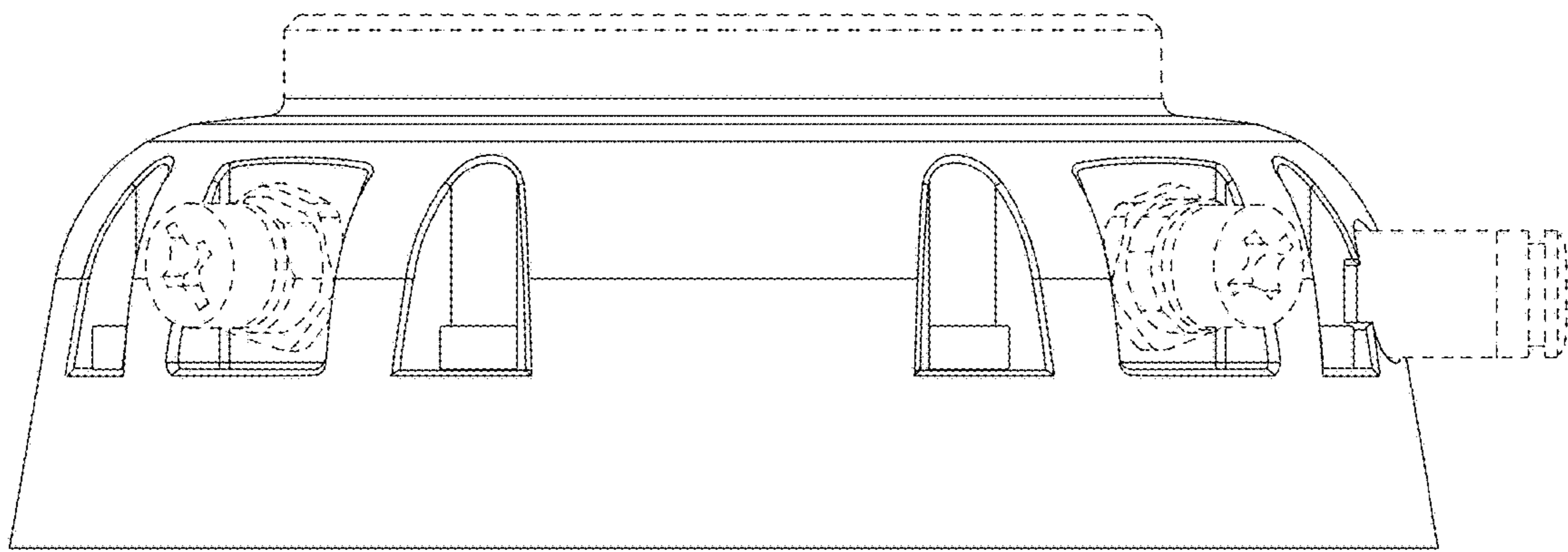


FIG. 12

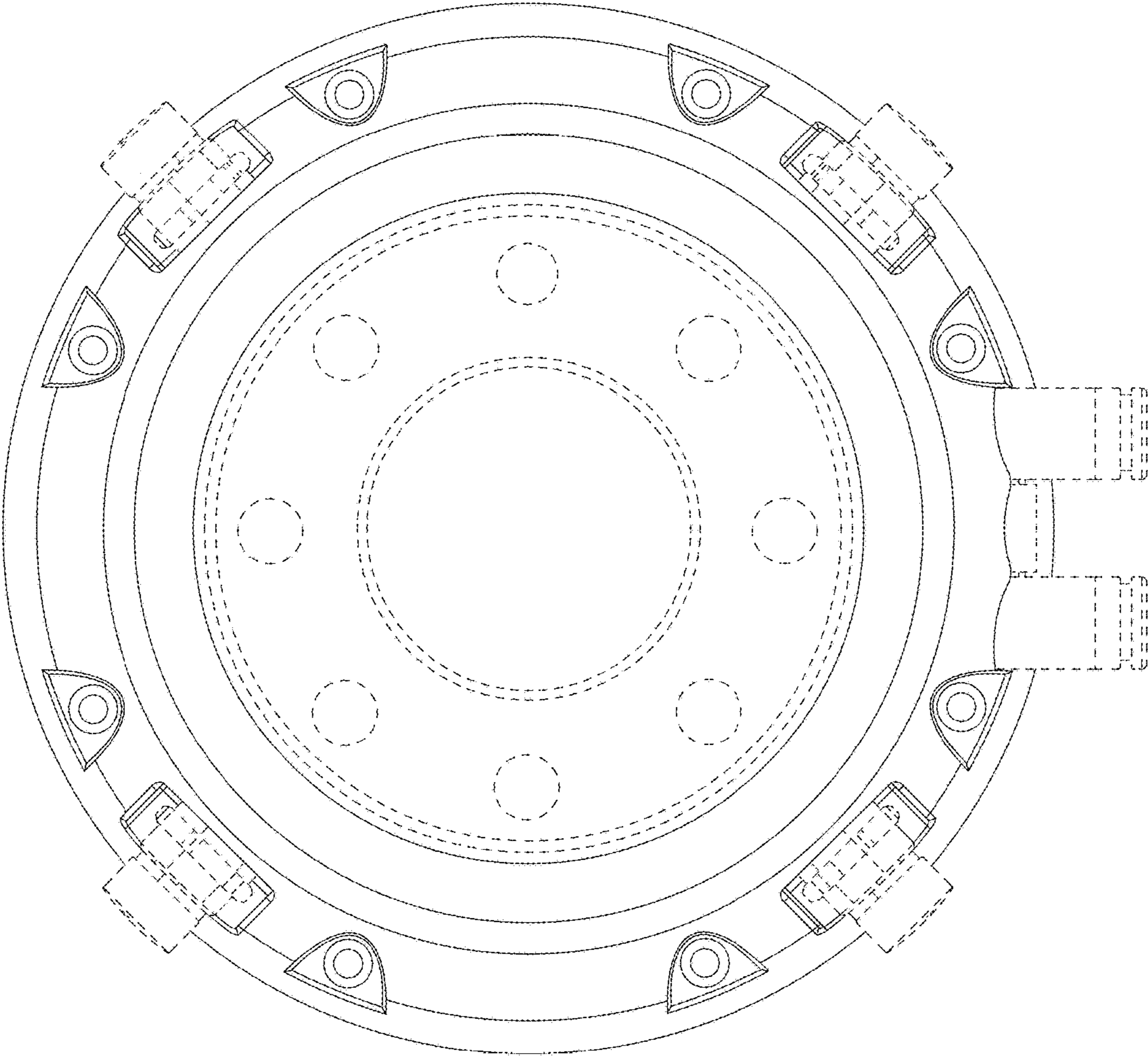


FIG. 13