



US00D827685S

(12) **United States Design Patent**  
**Carstens et al.**

(10) **Patent No.:** **US D827,685 S**

(45) **Date of Patent:** **\*\* Sep. 4, 2018**

- (54) **TRUNCATED DOME CUP**
- (71) Applicant: **Stolle Machinery Company, LLC**,  
Centennial, CO (US)
- (72) Inventors: **Aaron E. Carstens**, Centerville, OH  
(US); **Patrick K. McCarty**, Dayton,  
OH (US); **James A. McClung**, Canton,  
OH (US); **Paul L. Ripple**, Canton, OH  
(US); **Gregory H. Butcher**, Naples, FL  
(US)
- (73) Assignee: **Stolle Machinery Company, LLC**,  
Centennial, CO (US)
- (\*\*) Term: **15 Years**
- (21) Appl. No.: **29/588,100**
- (22) Filed: **Dec. 19, 2016**
- (51) **LOC (11) Cl.** ..... **15-09**
- (52) **U.S. Cl.**  
USPC ..... **D15/136**
- (58) **Field of Classification Search**  
USPC ..... D9/538; D15/135, 136  
CPC ..... B65D 1/40; B65D 81/3216; B21D 22/28  
See application file for complete search history.

(56) **References Cited**

**U.S. PATENT DOCUMENTS**

- 14,887 A \* 5/1856 Seymour ..... B21D 22/28  
72/349
- 275,004 A \* 4/1883 Wilson ..... B65D 1/40  
220/675
- 460,551 A \* 10/1891 Bodge ..... B21D 22/28  
72/349
- 491,192 A \* 2/1893 Schoen ..... B21D 22/28  
72/349
- D188,817 S \* 9/1960 Whittier et al. .... D9/538
- 3,855,862 A 12/1974 Moller
- 3,904,069 A 9/1975 Toukmanian

- 3,979,009 A \* 9/1976 Walker ..... B65D 1/46  
220/609
- 3,998,174 A \* 12/1976 Saunders ..... B21D 51/26  
220/606
- 4,147,271 A \* 4/1979 Yamaguchi ..... B65D 1/165  
220/606
- 4,174,782 A \* 11/1979 Obsomer ..... B65D 1/0276  
215/373
- 4,199,073 A \* 4/1980 Gombas ..... B21D 51/44  
220/623
- 4,222,494 A \* 9/1980 Lee, Jr. .... B21D 22/30  
220/606
- 4,412,627 A \* 11/1983 Houghton ..... B65D 1/165  
220/609
- 4,414,836 A \* 11/1983 Saunders ..... B21D 22/28  
72/348

(Continued)

**OTHER PUBLICATIONS**

Stolle Machinery Company, LLC, PCT/US2017/065671 Search Report, dated Feb. 14, 2018, 10 pages.

(Continued)

*Primary Examiner* — Patricia A Palasik

(74) *Attorney, Agent, or Firm* — Eckert Seamans Cherin & Mellott, LLC; David C. Jenkins

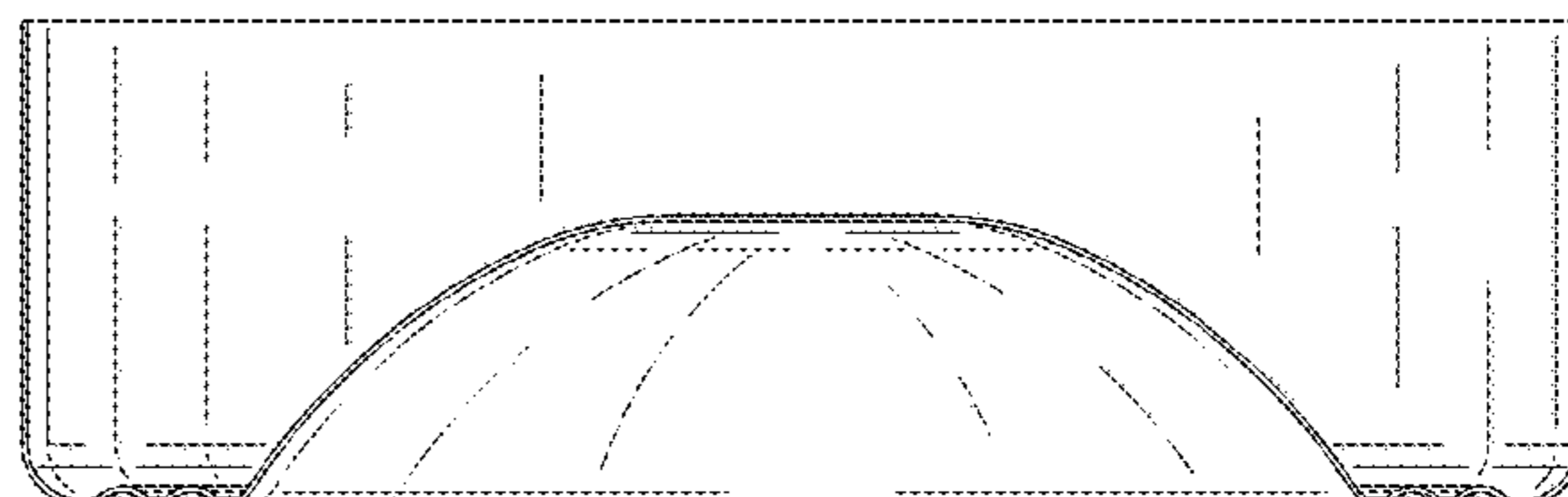
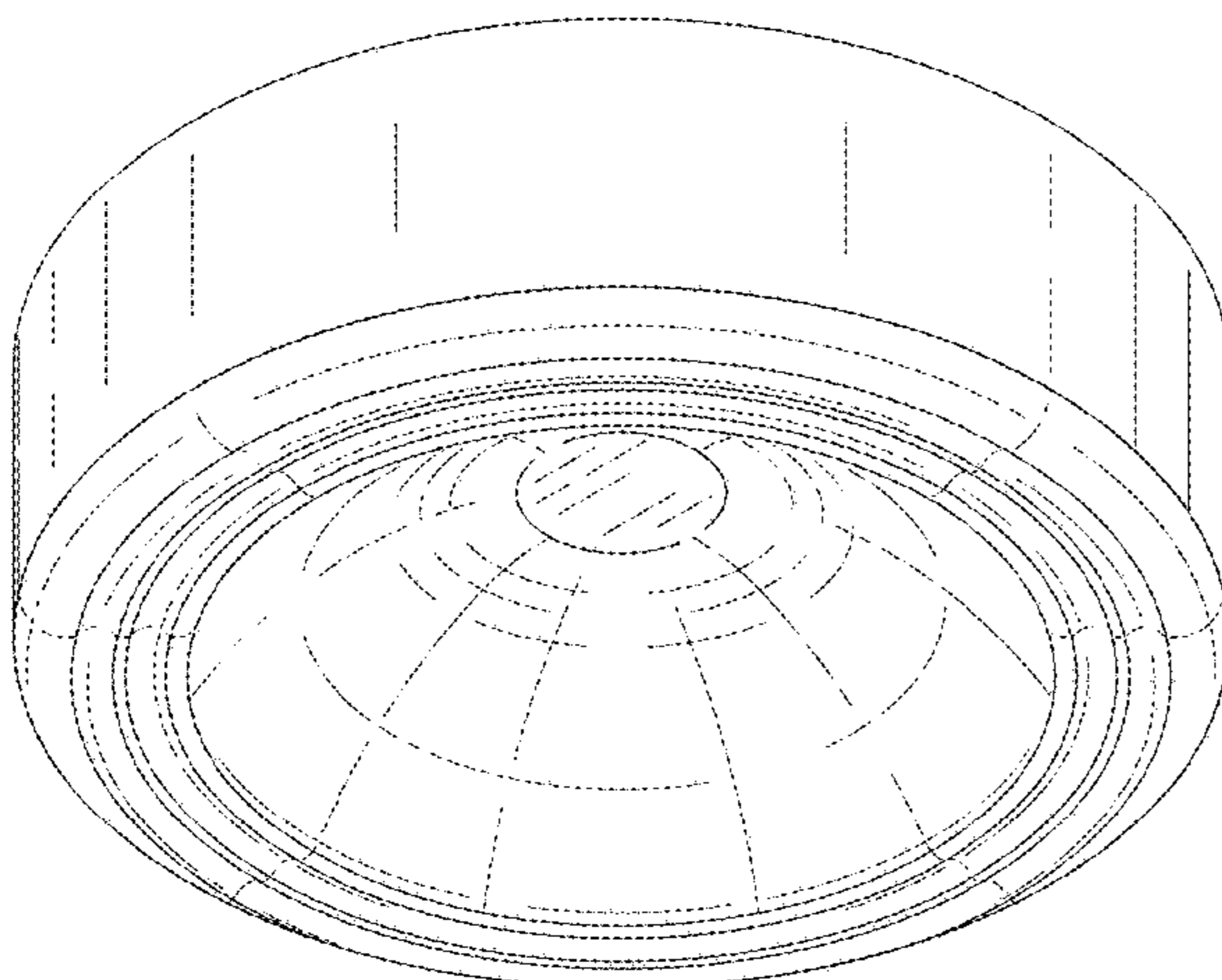
(57) **CLAIM**

The ornamental design for a truncated dome cup, as shown and described.

**DESCRIPTION**

FIG. 1 is an isometric view of the truncated dome cup; FIG. 2 another isometric view of the truncated dome cup; FIG. 3 is a top view of the truncated dome cup; FIG. 4 is a bottom view of the truncated dome cup; FIG. 5 side view of truncated dome cup; and, FIG. 6 is a cross-sectional view taken along line 6-6 in FIG. 3 of the truncated dome cup.

**1 Claim, 5 Drawing Sheets**



(56)

References Cited

U.S. PATENT DOCUMENTS

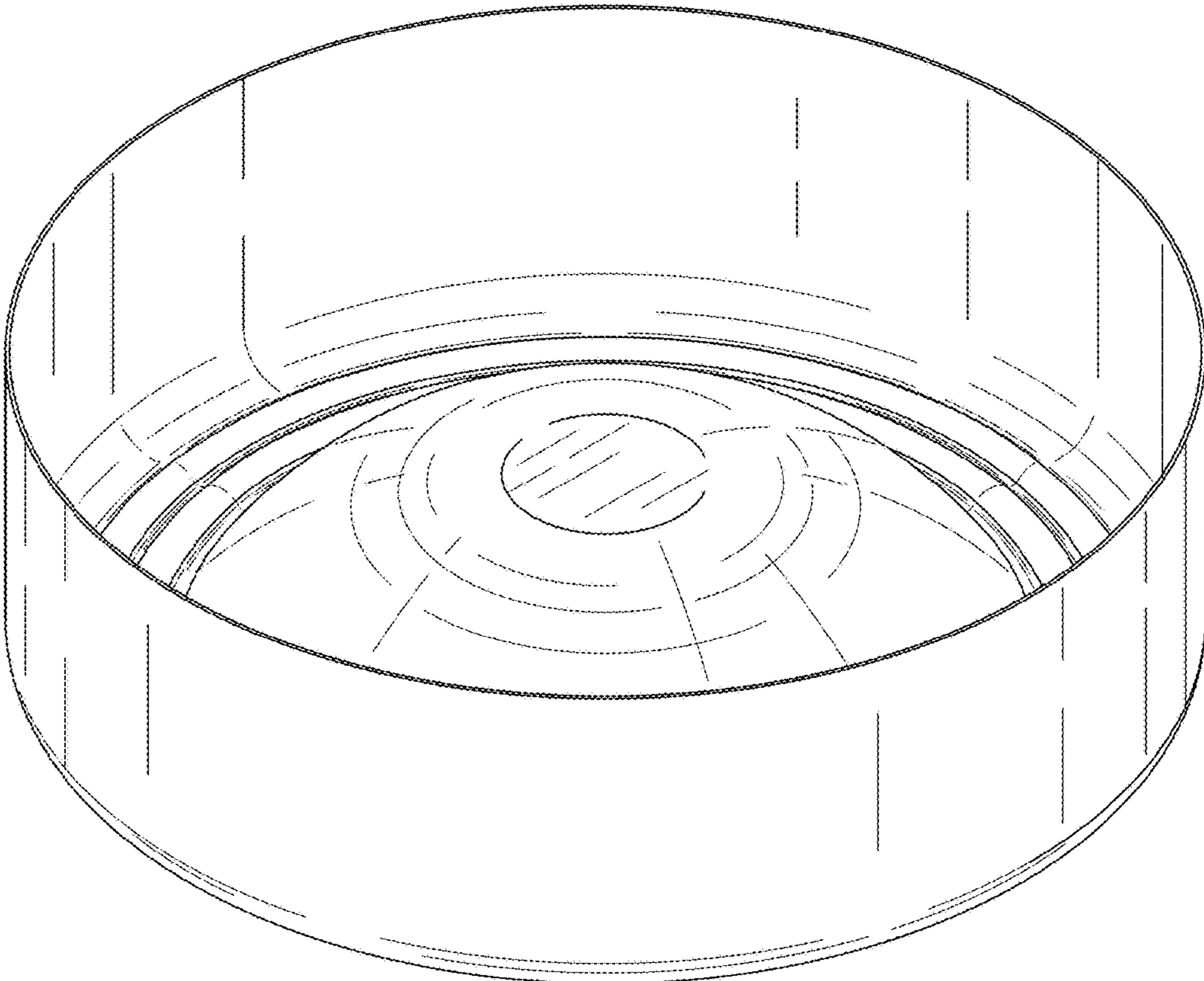
4,426,013 A \* 1/1984 Cherchian ..... B65D 1/42  
220/609  
4,502,607 A \* 3/1985 Szajna ..... B65D 1/0276  
215/373  
4,515,284 A \* 5/1985 Lee, Jr. .... B65D 1/165  
220/606  
4,584,859 A \* 4/1986 Saunders ..... B21D 22/28  
72/349  
4,685,582 A \* 8/1987 Pulciani ..... B21D 22/30  
206/508  
4,723,433 A \* 2/1988 Grims ..... B21D 22/30  
72/348  
4,732,292 A \* 3/1988 Supik ..... B65D 1/165  
220/604  
4,953,738 A \* 9/1990 Stirbis ..... B65D 1/165  
220/606  
5,198,248 A \* 3/1993 Krishnakumar .... B29C 49/0073  
215/373  
5,209,099 A \* 5/1993 Saunders ..... B21D 22/201  
72/349  
5,222,385 A \* 6/1993 Halasz ..... B21D 28/30  
72/117  
5,312,013 A \* 5/1994 Bridges ..... A47G 19/06  
220/625  
5,394,727 A 3/1995 Diekhoff et al.  
5,487,295 A \* 1/1996 Diekhoff ..... B21D 22/22  
72/379.4  
5,653,357 A \* 8/1997 Miyazawa ..... B21D 22/28  
220/62.11

5,727,710 A \* 3/1998 Severus ..... B65D 79/005  
220/609  
5,730,314 A \* 3/1998 Wiemann ..... B21D 51/26  
220/606  
5,778,722 A \* 7/1998 Saiki ..... B21D 51/26  
72/347  
5,802,907 A \* 9/1998 Stodd ..... B21D 22/28  
72/336  
5,881,593 A \* 3/1999 Bulso, Jr. .... B21D 22/24  
72/336  
2001/0009107 A1 7/2001 Cheng et al.  
2003/0071044 A1 4/2003 Werth et al.  
2004/0026357 A1\* 2/2004 Beck ..... B29C 49/48  
215/384  
2004/0035871 A1\* 2/2004 Chupak ..... B21D 22/28  
220/608  
2005/0051549 A1\* 3/2005 Nelson ..... B65D 21/0219  
220/23.83  
2009/0047465 A1\* 2/2009 Zafiroglu ..... B29C 43/222  
428/97  
2013/0130963 A1\* 5/2013 Perez-Prat Vinuesa .....  
C11D 17/08  
510/236  
2016/0114371 A1 4/2016 Lord et al.  
2017/0197240 A1\* 7/2017 Lord ..... B21D 22/28

OTHER PUBLICATIONS

Stolle Machinery Company, LLC, U.S. Appl. No. 15/286,954, filed Oct. 6, 2016, "Container, and Selectively Formed Cup, Tooling and Associated for Providing Same," 101 pages.

\* cited by examiner



*FIG. 1*

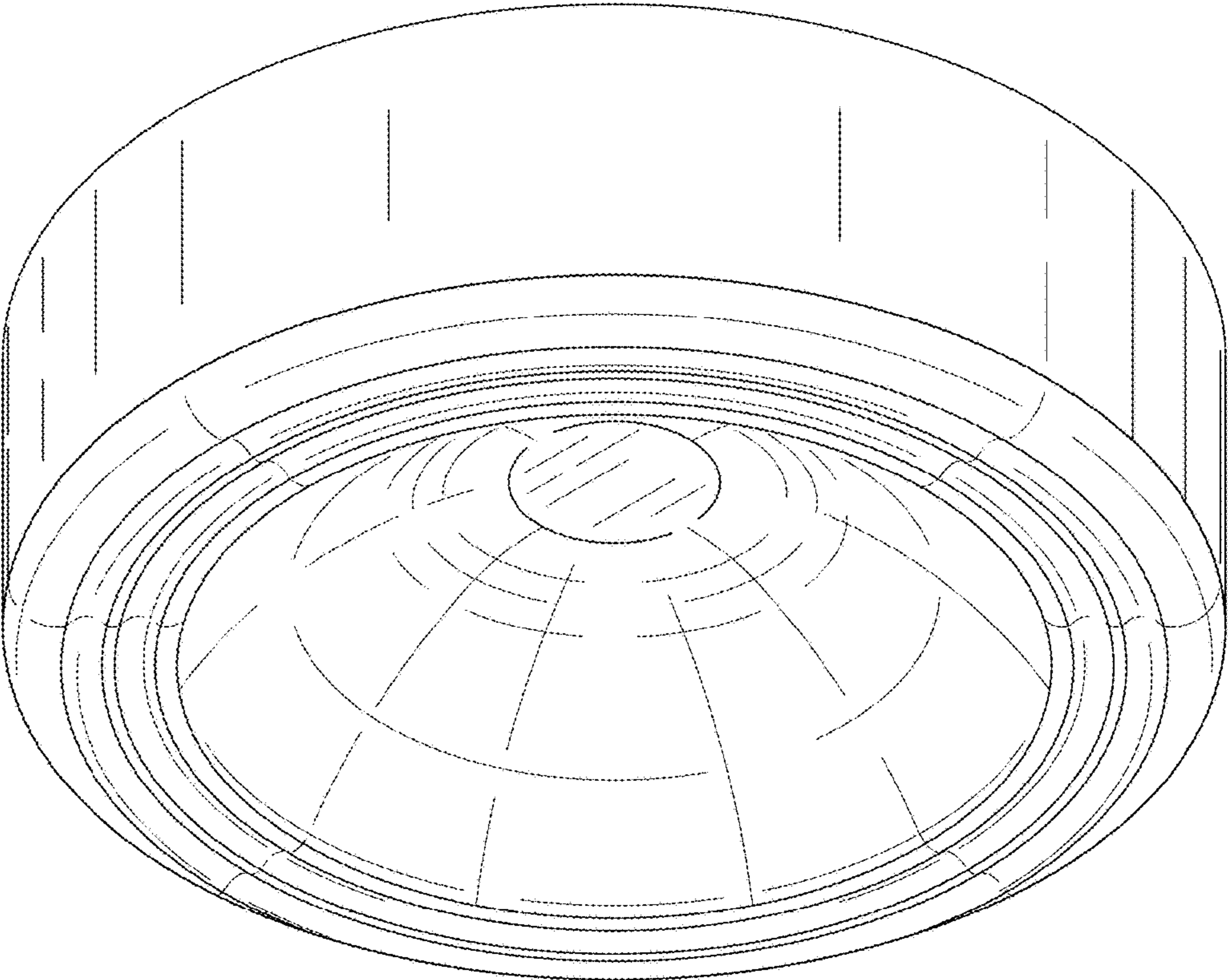


FIG. 2

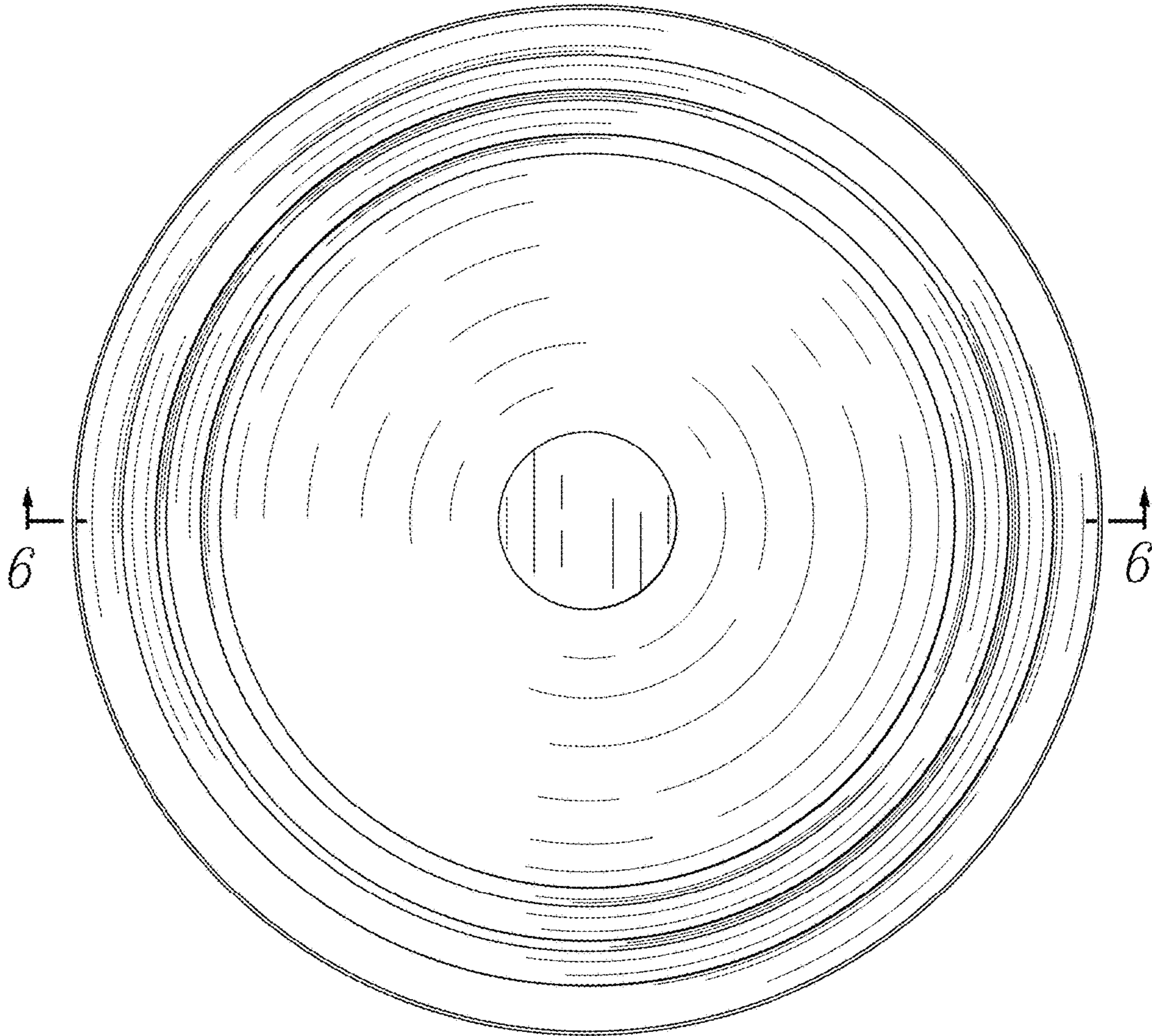
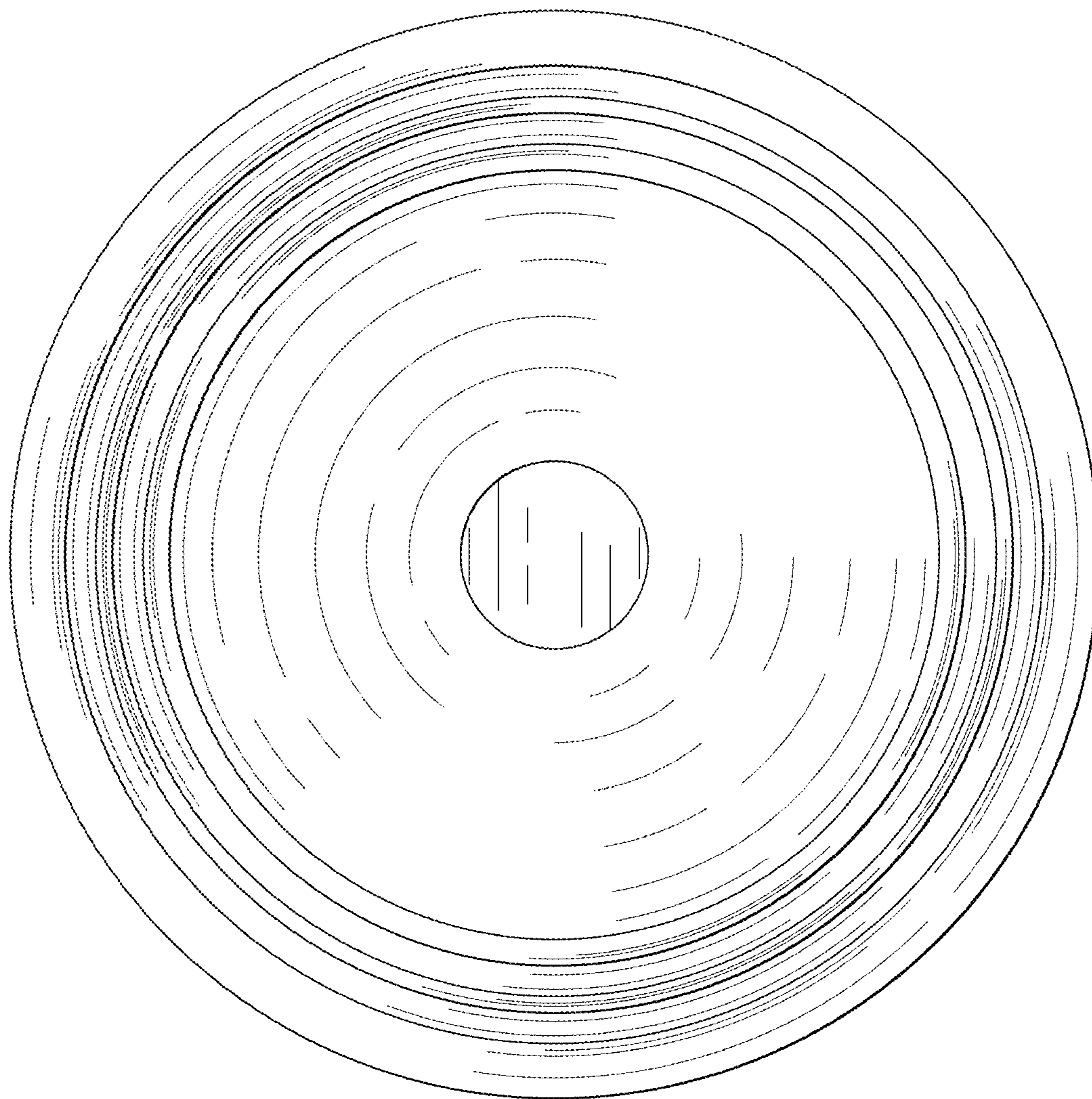
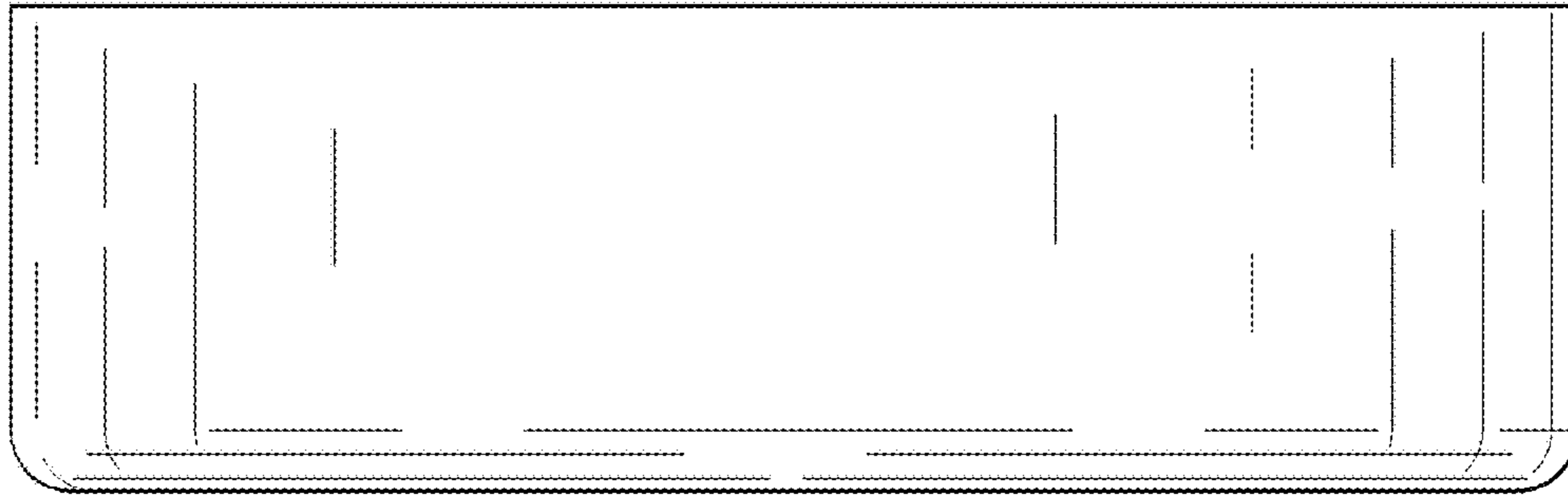


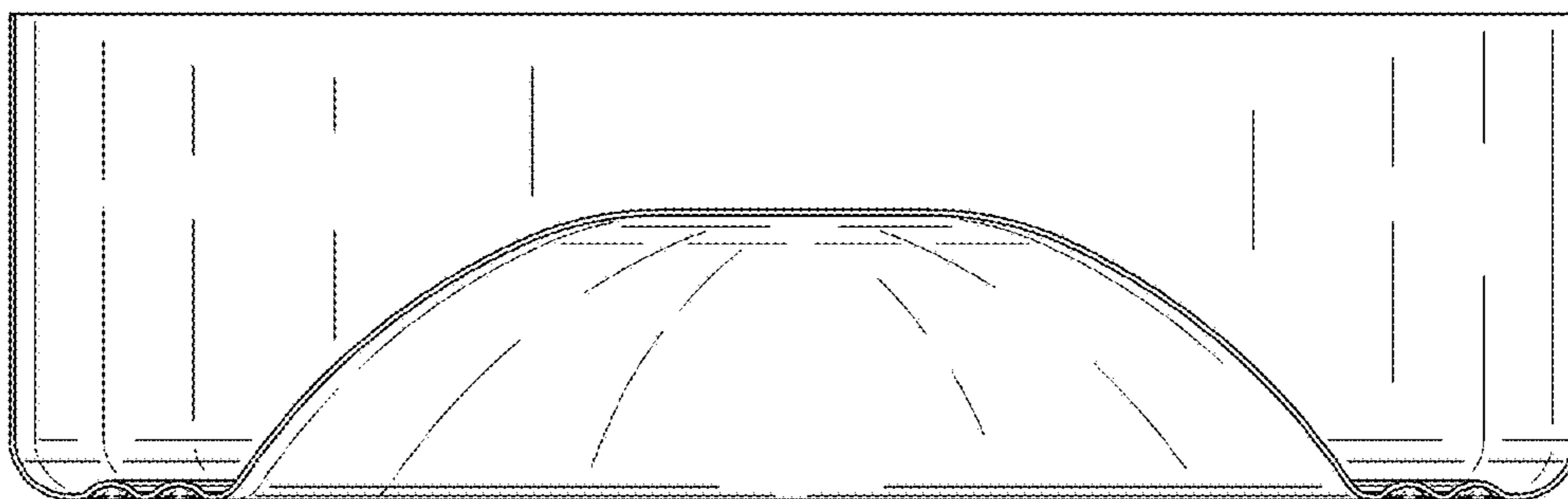
FIG. 3



*FIG. 4*



*FIG. 5*



*FIG. 6*