



US00D827682S

(12) **United States Design Patent** (10) **Patent No.:** **US D827,682 S**
Anderson (45) **Date of Patent:** **** Sep. 4, 2018**

(54) **FALSE TWIST BLOCK ASSEMBLY**

(71) Applicant: **Carpet Industry Clearinghouse, Inc.**, Dalton, GA (US)

(72) Inventor: **John Law Anderson**

(73) Assignee: **Carpet Industry Clearinghouse, Inc.**, Dalton, GA (US)

(**) Term: **15 Years**

(21) Appl. No.: **29/586,337**

(22) Filed: **Dec. 2, 2016**

(51) **LOC (11) Cl.** **15-06**

(52) **U.S. Cl.**
USPC **15/78**

(58) **Field of Classification Search**
USPC D15/66-78
CPC D02J 3/00; D01H 1/006; D01H 4/00-4/52;
D01H 7/90; D01H 7/86; D01H 7/88;
D02G 1/02-1/087

See application file for complete search history.

4,047,374 A * 9/1977 Venot D02G 1/082
474/114

4,059,948 A * 11/1977 Derail D02G 1/082
57/280

4,129,980 A * 12/1978 Dillon D02G 1/082
57/339

4,144,700 A * 3/1979 Takai D02G 1/085
57/1 R

4,235,071 A * 11/1980 Dillon D02G 1/082
57/280

4,301,648 A * 11/1981 Adenheuer D02G 1/082
57/280

4,372,107 A * 2/1983 Hart D01H 7/923
57/246

4,377,932 A * 3/1983 Dammann D02G 1/087
57/336

4,400,931 A * 8/1983 Maeda D02G 1/085
57/336

4,429,524 A * 2/1984 Kress D02G 1/085
57/336

4,598,560 A * 7/1986 Sawazaki D04B 15/48
242/365.6

4,791,781 A * 12/1988 Phoa D01H 4/40
57/400

4,899,533 A * 2/1990 Schmitt D02G 1/06
57/100

(Continued)

Primary Examiner — Mitchell I. Siegel
 (74) *Attorney, Agent, or Firm* — Walter A. Rodgers

(56) **References Cited**

U.S. PATENT DOCUMENTS

2,655,781 A * 10/1953 Heberlein D02G 1/06
57/346

D204,970 S * 5/1966 Conway D15/78

3,762,149 A * 10/1973 Raschle D02G 1/082
57/339

3,813,868 A * 6/1974 Lorenz D02G 1/082
57/336

3,831,365 A * 8/1974 Smith D02G 1/085
57/285

3,921,379 A * 11/1975 Smith D02G 1/082
57/290

4,027,467 A * 6/1977 Smith D02G 1/082
57/284

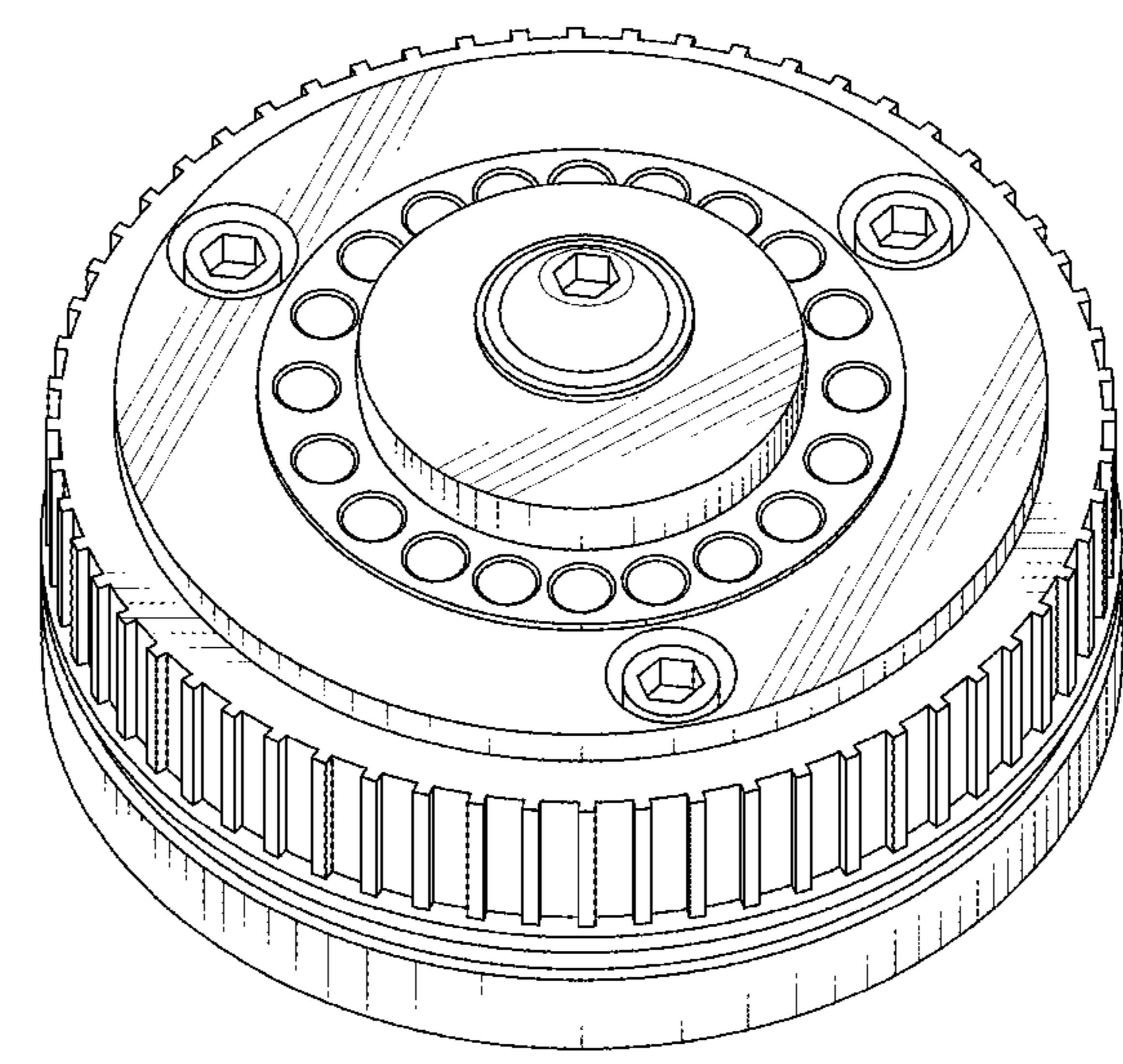
(57) **CLAIM**

The ornamental design for a false twist block assembly, as shown and described.

DESCRIPTION

FIG. 1 is a perspective view of a false twist block assembly showing John Law Anderson's new design; FIG. 2 is a side elevational view thereof; FIG. 3 is a top plan view thereof; and, FIG. 4 is a bottom plan view thereof.

1 Claim, 3 Drawing Sheets



(56)

References Cited

U.S. PATENT DOCUMENTS

4,956,970 A * 9/1990 Bauer D02G 1/08
57/331
D315,914 S * 4/1991 Chen D15/72
5,094,068 A * 3/1992 Hirao D02G 1/08
57/284
5,136,835 A * 8/1992 Hirao D02G 1/08
57/284
5,193,334 A * 3/1993 Dammann D02G 1/0266
57/284
5,502,961 A * 4/1996 Tone D01H 1/11
57/264
D399,855 S * 10/1998 Ito D15/133
5,966,918 A * 10/1999 Kino D02G 1/0206
57/264
6,155,037 A * 12/2000 Madone D02G 1/06
57/334
6,199,361 B1 * 3/2001 Yakushi D02G 1/0273
57/105
6,301,870 B1 * 10/2001 Bunger D02G 1/0266
57/239
D464,065 S * 10/2002 Schmodde D15/78
7,073,318 B2 * 7/2006 Tung et al. D02J 13/00
57/284
9,580,841 B2 * 2/2017 Stahlecker D01H 4/40
D794,683 S * 8/2017 Barea D15/78
D794,715 S * 8/2017 Barea D15/78

* cited by examiner

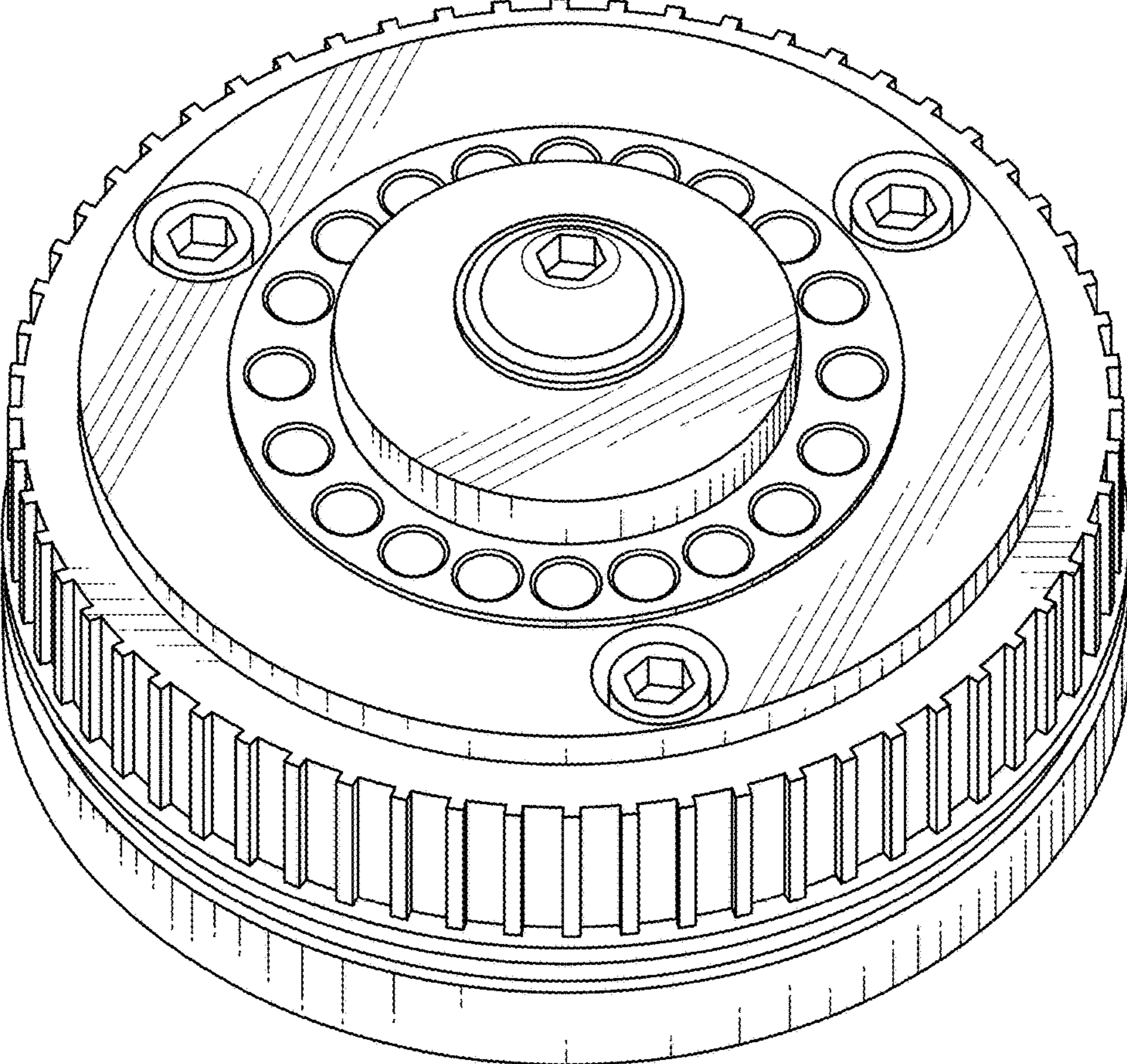


FIG. 1

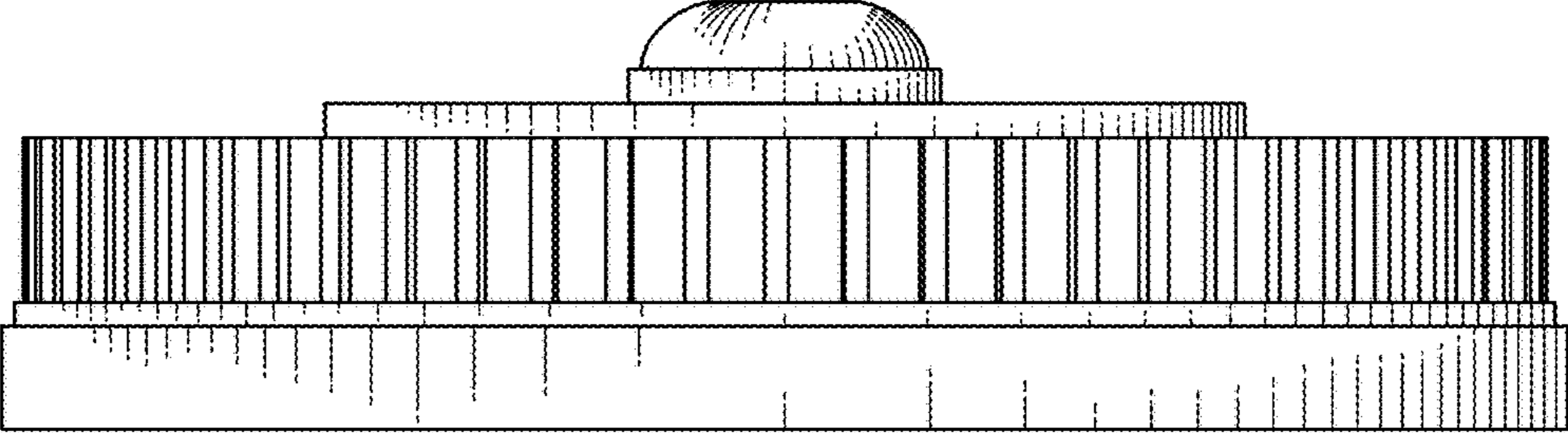


FIG. 2

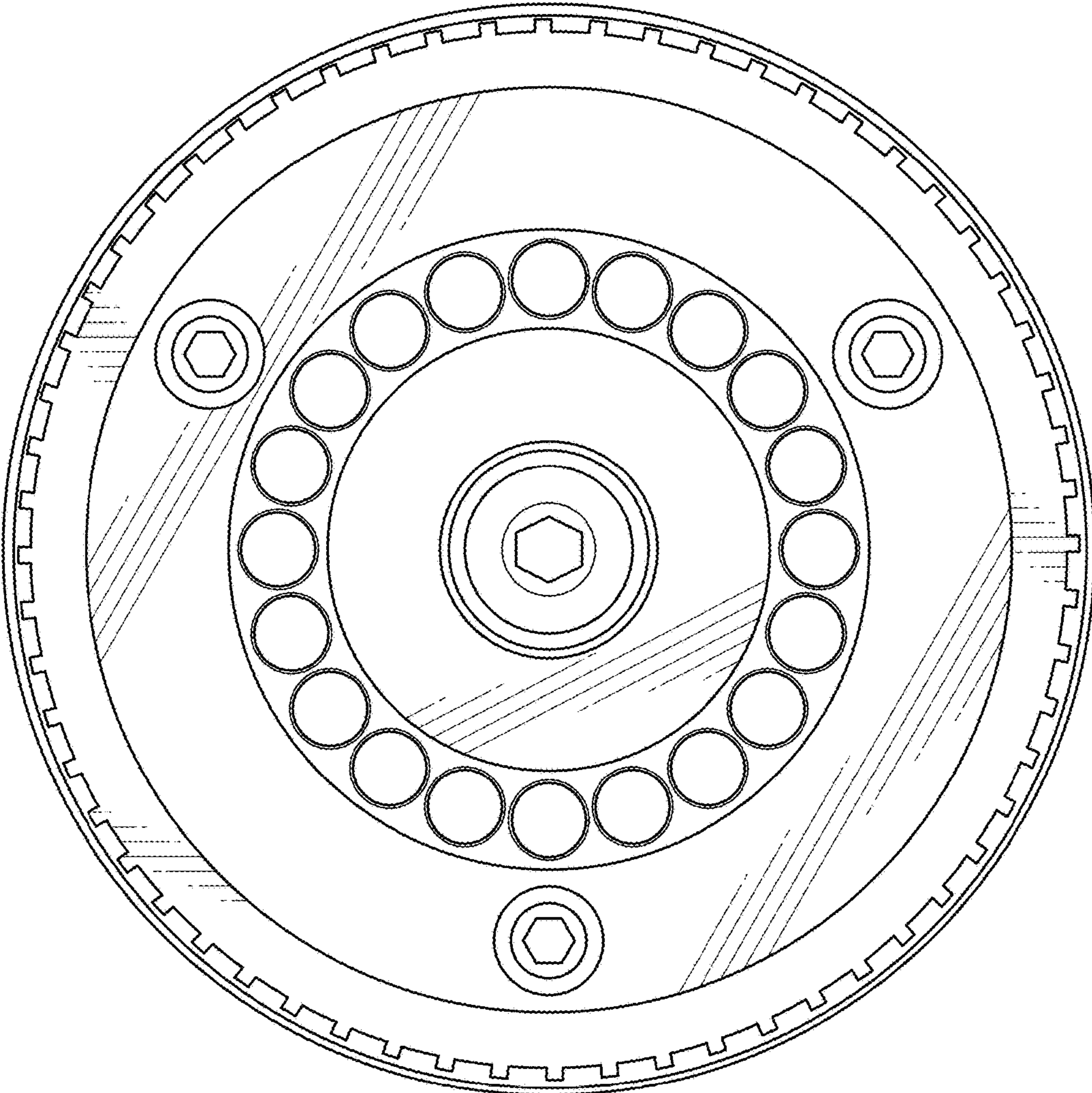


FIG. 3

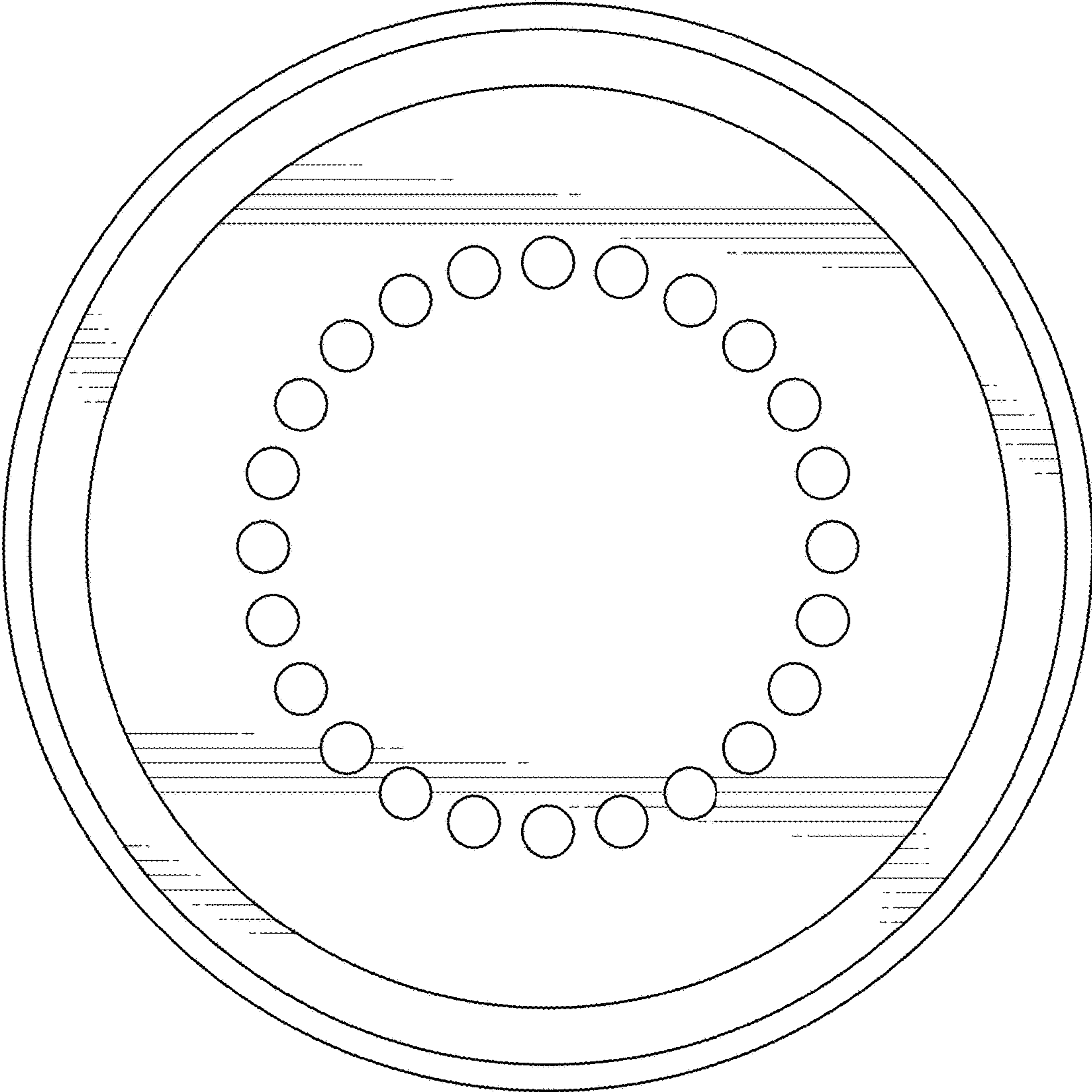


FIG. 4