



US00D827677S

(12) **United States Design Patent** (10) **Patent No.:** **US D827,677 S**  
**Zimmerman et al.** (45) **Date of Patent:** **\*\* Sep. 4, 2018**

(54) **LOWER GRIPPER JAW**

(56) **References Cited**

(71) Applicant: **Delaware Capital Formation, Inc.**,  
Wilmington, DE (US)

U.S. PATENT DOCUMENTS

(72) Inventors: **Anthony B. Zimmerman**, Shelby  
Township, MI (US); **Joshua Moses**,  
Charlevoix, MI (US); **Robert W.**  
**McArthur**, Charlevoix, MI (US)

D229,392	S	*	11/1973	Faust	
D257,035	S	*	9/1980	Ostrelich	D13/138.1
4,607,873	A		8/1986	Nusbaumer et al.	
D336,750	S	*	6/1993	Bundy	D15/140
5,284,375	A		2/1994	Land, III	
5,853,211	A		12/1998	Sawdon et al.	
5,871,250	A		2/1999	Sawdon	
5,938,259	A		8/1999	Sawdon et al.	
5,941,513	A		8/1999	Moilanen et al.	
6,048,013	A		4/2000	Moilanen et al.	

(73) Assignee: **Delaware Capital Formation, Inc.**,  
Wilmington, DE (US)

(Continued)

(\*\*) Term: **15 Years**

FOREIGN PATENT DOCUMENTS

(21) Appl. No.: **29/539,465**

DE	202004017445	1/2005
DE	10324272	3/2005

(22) Filed: **Sep. 15, 2015**

(Continued)

(51) **LOC (11) Cl.** ..... **15-03**

(52) **U.S. Cl.**  
USPC ..... **D15/28**

(58) **Field of Classification Search**

USPC ..... D15/124-126, 138-145  
CPC ..... B65H 2220/01; B65H 2220/02; B65H  
2301/4472; B65H 2301/4474; B65H  
2513/512; B65H 2515/31; B65H 2220/11;  
B65H 2405/581; B65H 2801/81; B65H  
11/005; B65H 19/12; B65H 19/123;  
B65H 19/18; B65H 19/1831; B65H  
19/1873; B65H 2301/4471; B65H  
2301/46115; B65H 2301/4634; B65H  
2401/242; B65H 2403/21; B65H  
2403/513; B65H 2404/22; B65H  
2404/232; B65H 2404/243; B65H  
2404/281; B65H 2405/55; B65H  
2405/5812; B65H 2406/322; B65H  
2406/3222; B65H 2406/32231; B65H  
2701/18271; B65H 2701/1912; B65H  
2701/1916; B65H 2801/66; B65H 29/003;  
B65H 29/242; B65H 31/3045; B65H  
5/224

*Primary Examiner* — Ian Simmons  
*Assistant Examiner* — Khawaja Anwar  
(74) *Attorney, Agent, or Firm* — Harness, Dickey &  
Pierce, P.L.C.

(57) **CLAIM**

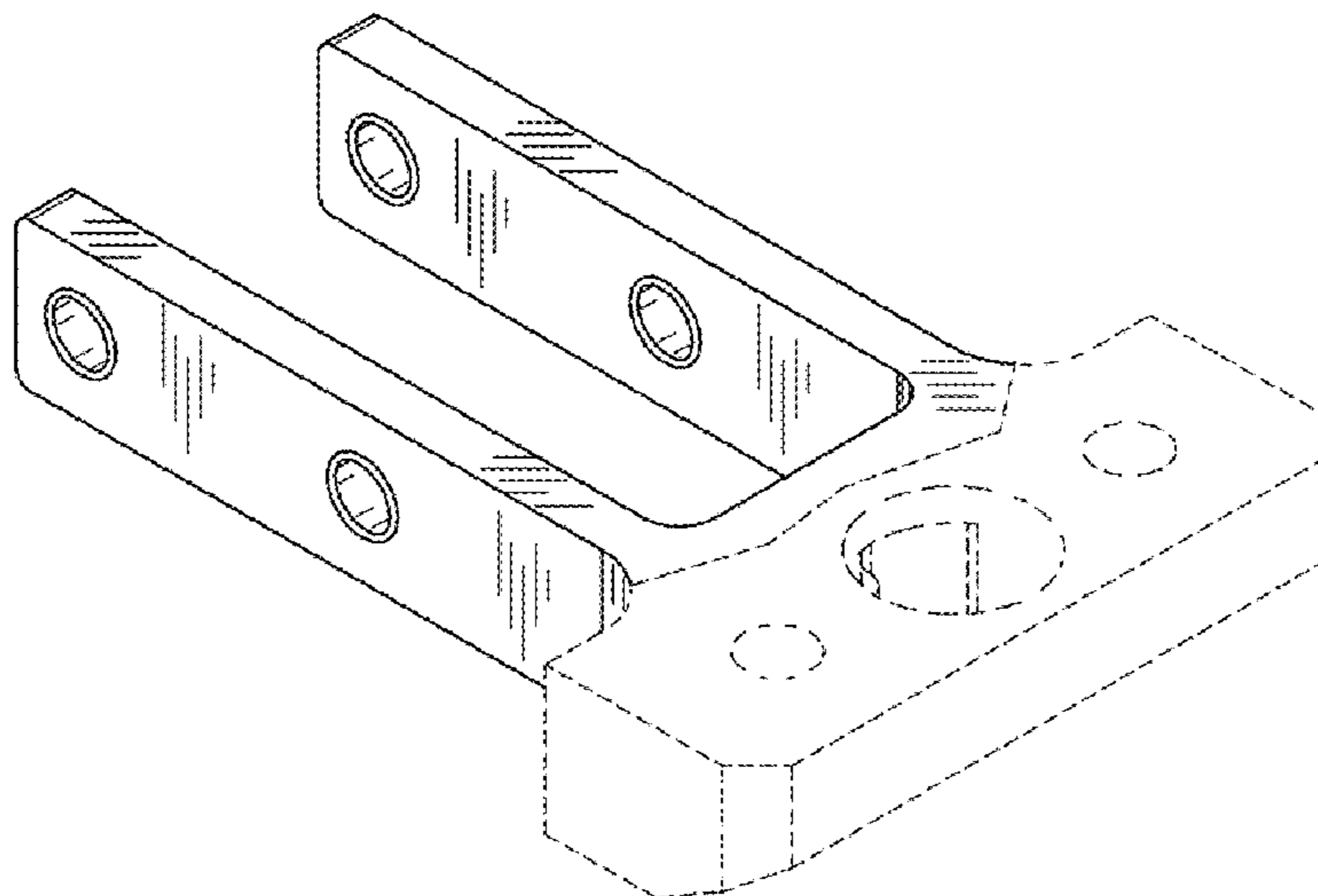
The ornamental design for a lower gripper jaw, as shown and described.

**DESCRIPTION**

FIG. 1 is a perspective view of a lower gripper jaw in an unclaimed environment showing our new design.  
FIG. 2 is a perspective view of the lower gripper jaw removed from the environment.  
FIG. 3 is a left side elevation view thereof.  
FIG. 4 is a top plan view thereof.  
FIG. 5 is a right side elevation view thereof.  
FIG. 6 is a rear side elevation view thereof.  
FIG. 7 is a bottom plan view thereof; and,  
FIG. 8 is a front elevation view thereof.

See application file for complete search history.

**1 Claim, 2 Drawing Sheets**



(56)

References Cited

U.S. PATENT DOCUMENTS

6,176,533 B1 1/2001 Moilanen et al.  
 6,227,586 B1 5/2001 Moilanen et al.  
 6,273,408 B1 8/2001 Moilanen et al.  
 D449,029 S \* 10/2001 Hanson ..... D12/162  
 6,425,616 B2 7/2002 Moilanen et al.  
 6,530,615 B2 3/2003 Filipiak et al.  
 6,557,916 B2 5/2003 Moilanen et al.  
 6,575,512 B2 6/2003 Moilanen et al.  
 6,588,816 B1 7/2003 Moilanen et al.  
 7,032,944 B2 4/2006 Moilanen et al.  
 7,172,230 B2 2/2007 Maffeis  
 7,396,059 B2 7/2008 Maffeis  
 7,845,698 B2 12/2010 Jenkins et al.  
 D631,525 S \* 1/2011 Smith ..... D22/108  
 D637,634 S \* 5/2011 Chen ..... D15/138  
 D637,635 S \* 5/2011 Chen ..... D15/138  
 7,976,087 B2 7/2011 Maffeis  
 D645,888 S \* 9/2011 Chen ..... D15/138  
 8,104,810 B2 1/2012 Holcomb et al.

8,167,346 B2 5/2012 Filipiak  
 8,454,069 B2 6/2013 Jenkins et al.  
 D708,359 S \* 7/2014 Picard ..... D26/1  
 D720,290 S \* 12/2014 Wu ..... D13/110  
 D741,139 S \* 10/2015 Sheppard ..... D8/319  
 2001/0006295 A1 7/2001 Moilanen et al.  
 2002/0093211 A1 7/2002 Filipiak et al.  
 2003/0038492 A1 2/2003 Kruger  
 2008/0073922 A1 3/2008 Holtz  
 2008/0237957 A1 10/2008 Waldorf  
 2009/0108513 A1 4/2009 Hara et al.

FOREIGN PATENT DOCUMENTS

DE 10338061 3/2005  
 DE 102004025781 7/2005  
 DE 102004058994 6/2006  
 DE 102012003918 8/2013  
 JP 2002-151889 5/2002  
 WO WO2014-023286 2/2014

\* cited by examiner

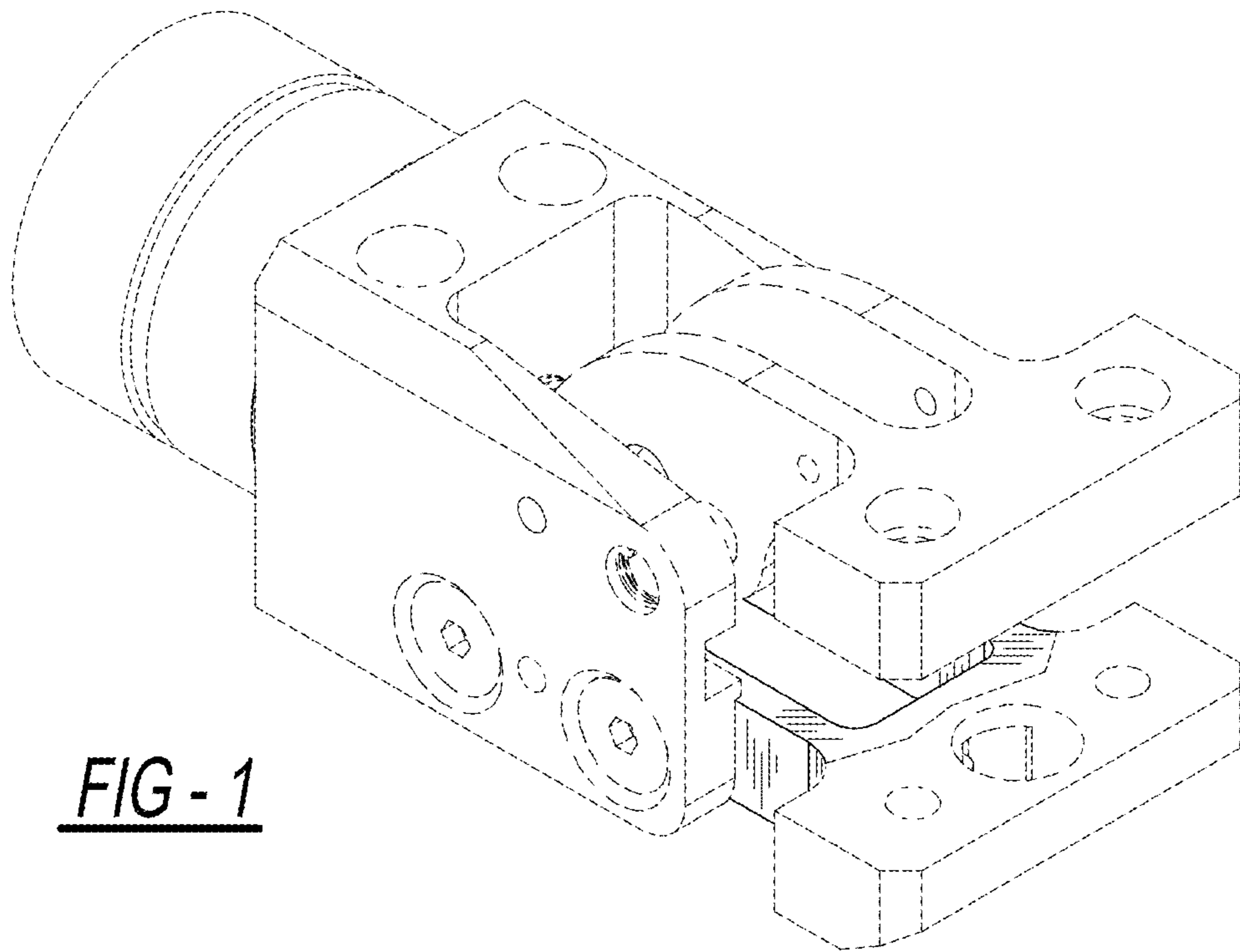


FIG - 1

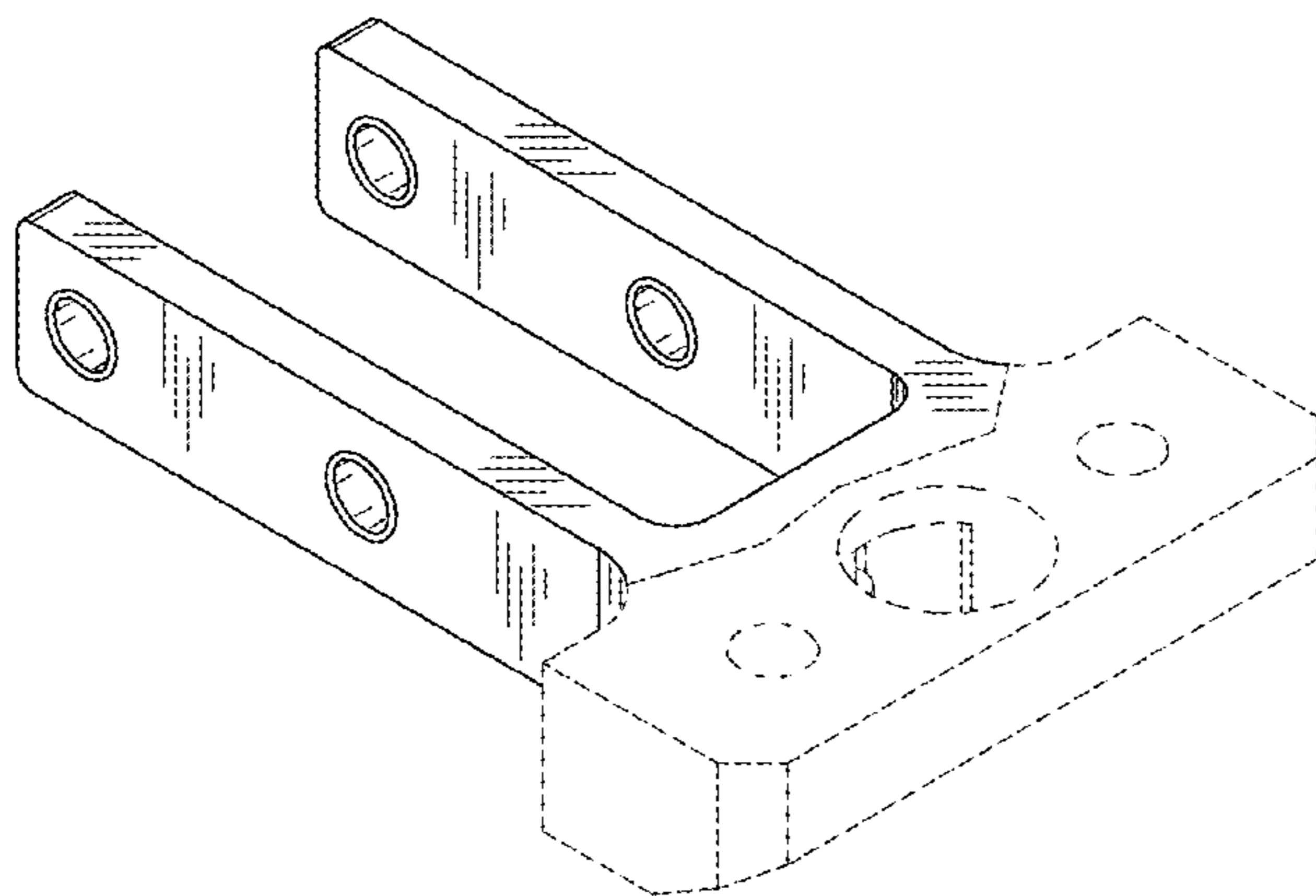


FIG - 2

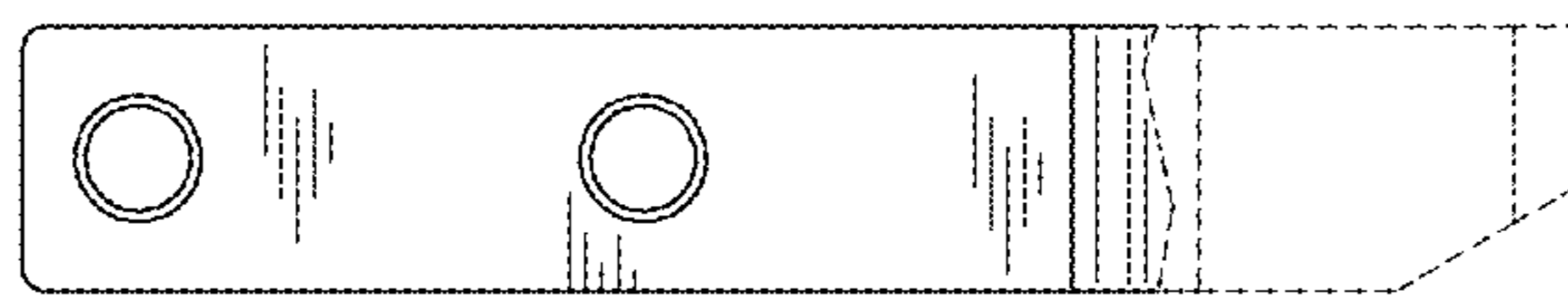


FIG - 3

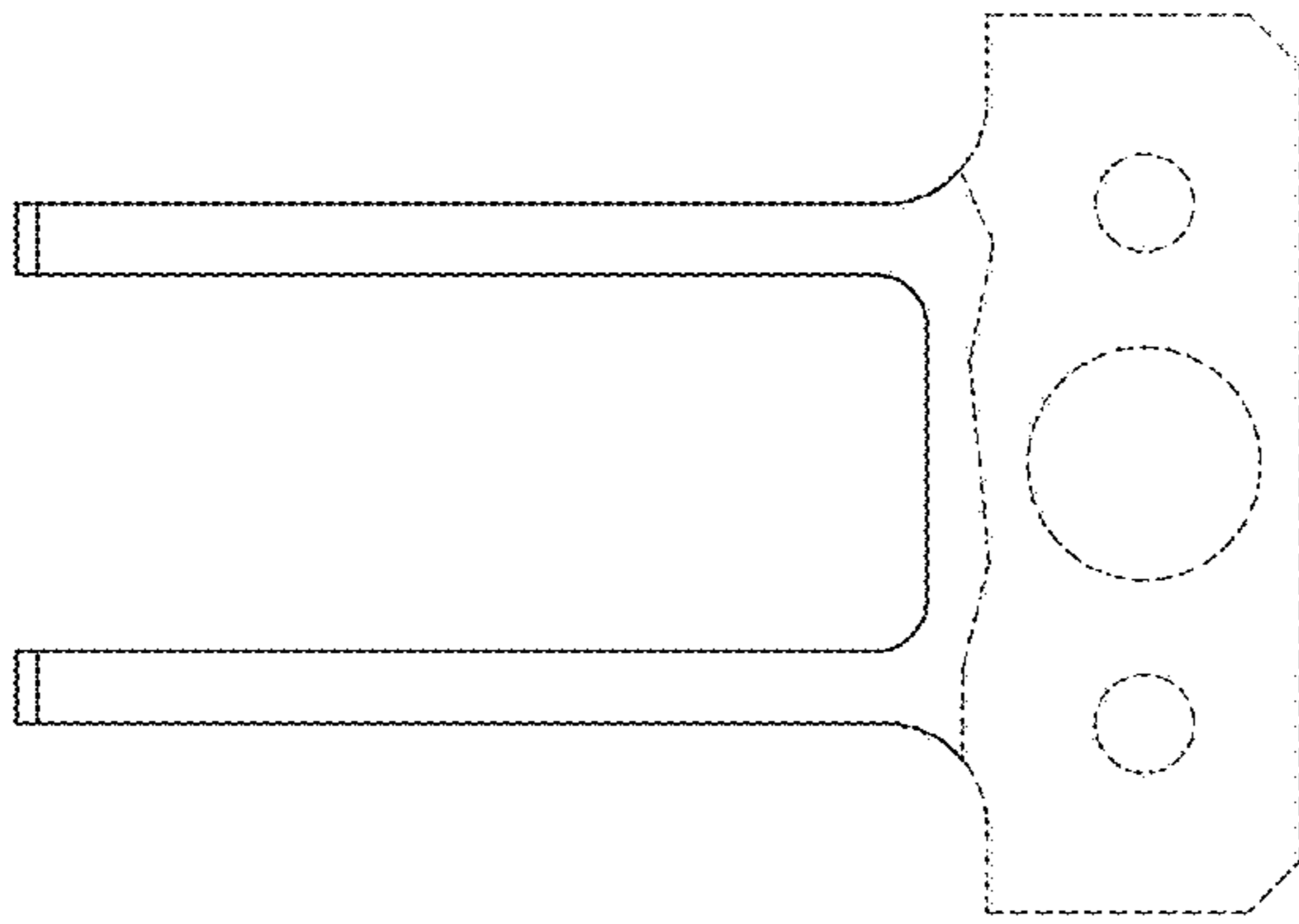


FIG - 4

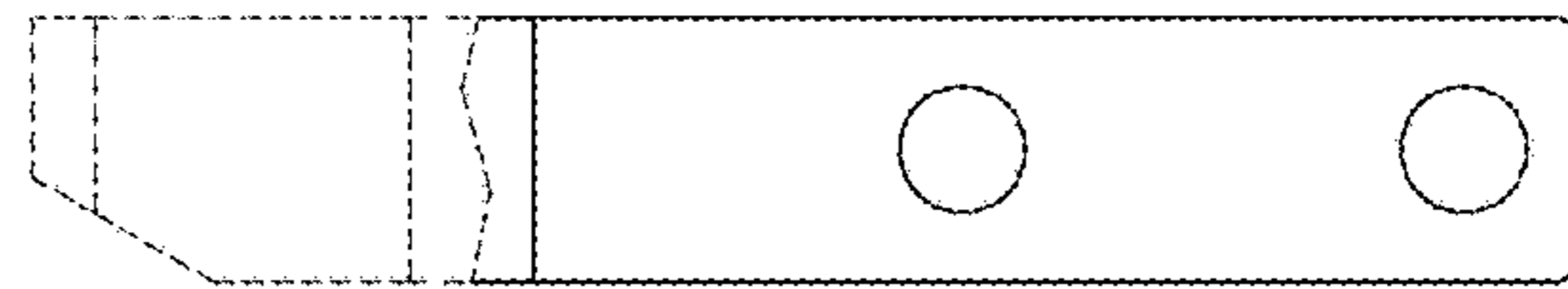


FIG - 5

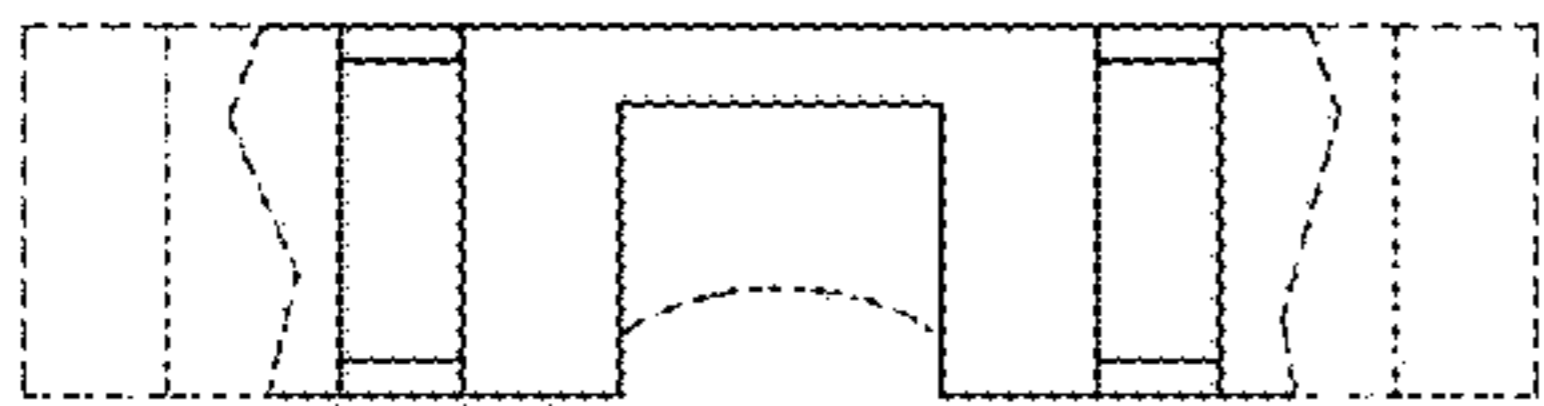


FIG - 6

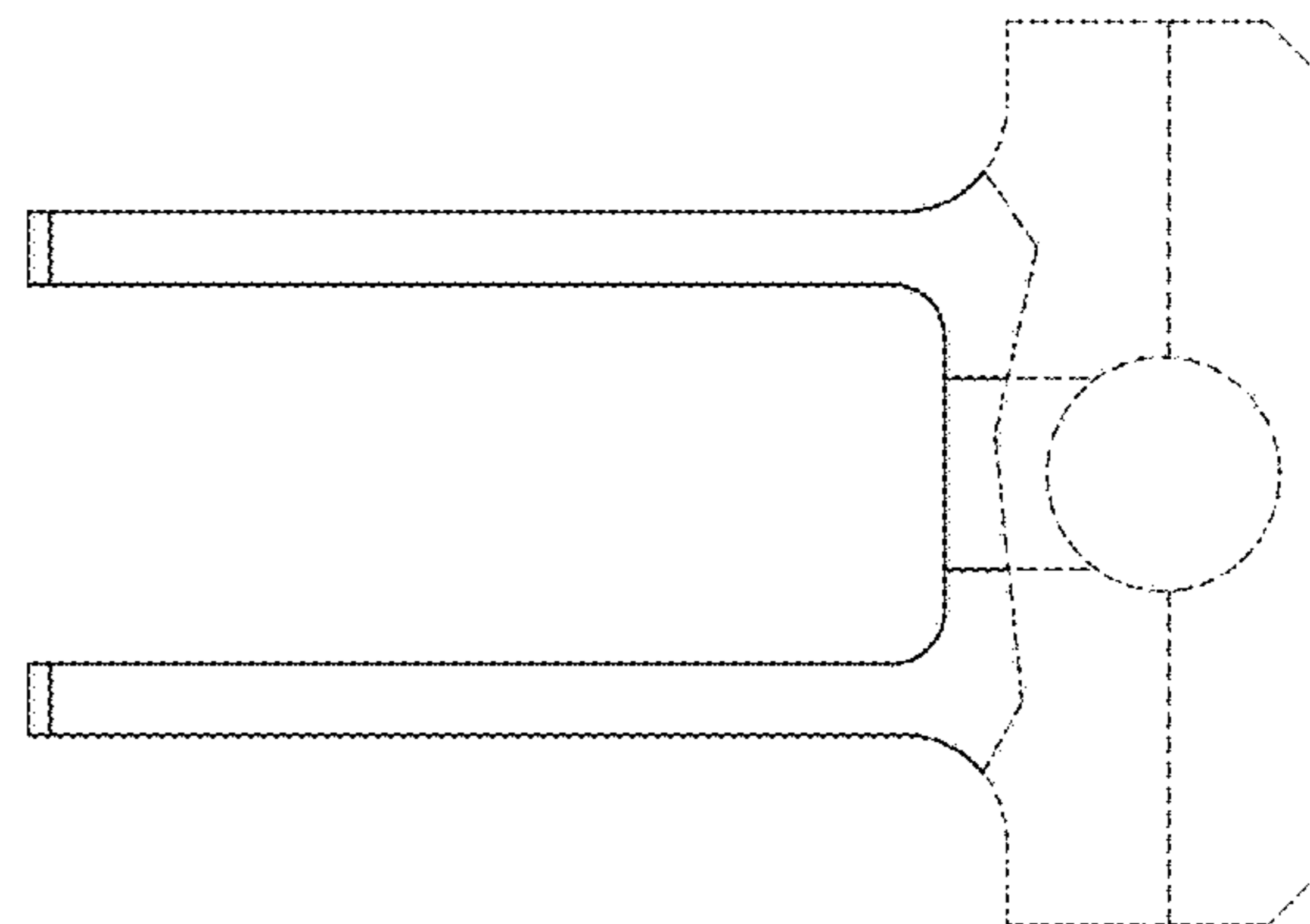


FIG - 7

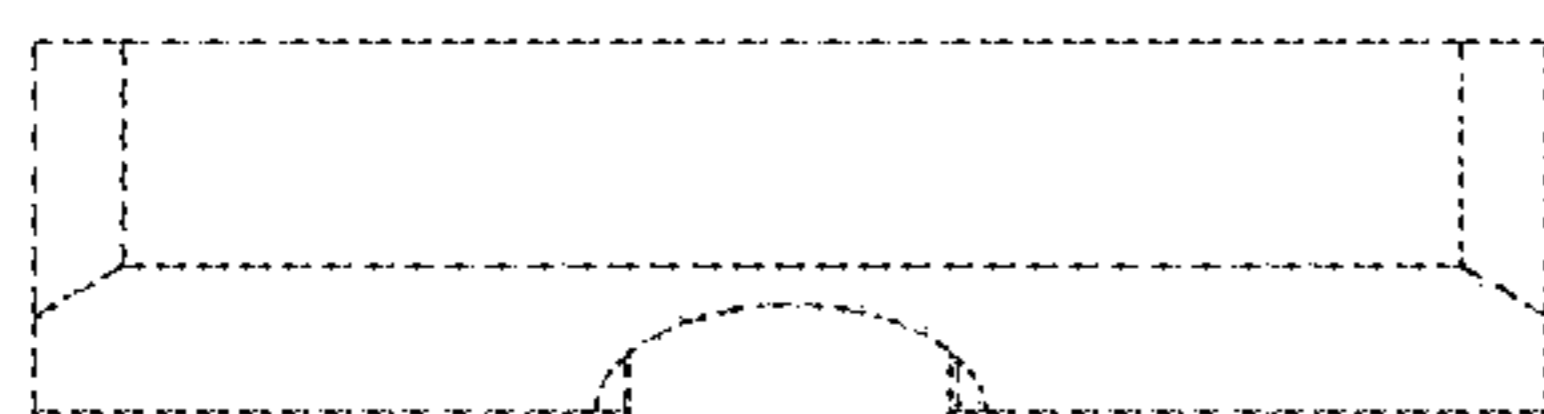


FIG - 8