



US00D827674S

(12) **United States Design Patent**
Darley

(10) **Patent No.:** **US D827,674 S**

(45) **Date of Patent:** **** Sep. 4, 2018**

(54) **PUMP CASING COMPONENT**

(71) Applicant: **W.S. Darley & Co.**, Itasca, IL (US)

(72) Inventor: **Kyle Darley**, Chippewa Falls, WI (US)

(73) Assignee: **W.S. Darley & Co.**, Itasca, IL (US)

(**) Term: **15 Years**

(21) Appl. No.: **29/617,511**

(22) Filed: **Sep. 14, 2017**

(51) **LOC (11) Cl.** **15-02**

(52) **U.S. Cl.**
USPC **D15/7**

(58) **Field of Classification Search**

USPC D15/7-9; D23/231, 232, 225; 417/60,
417/235, 265, 321, 355, 358, 363, 359,
417/410.1, 415-416, 405, 900, 269, 539;
60/408, 412; 184/26-37; 415/101,
415/140-147; 123/495, 509; 137/565.34
CPC F02M 37/04; F02M 37/14; F04B 53/92;
F04B 1/005; F04D 13/06; F04D 29/22;
F04D 29/046; F04D 29/2266

See application file for complete search history.

(56) **References Cited**

U.S. PATENT DOCUMENTS

D641,379 S * 7/2011 Milojevic D15/7
D641,380 S * 7/2011 Milojevic D15/7

D641,381 S * 7/2011 Milojevic D15/7
D667,025 S * 9/2012 Wunner D15/7
D696,695 S * 12/2013 Sofussen D15/7
D696,696 S * 12/2013 Sofussen D15/7
D699,763 S * 2/2014 Fitch D15/7
D780,226 S * 2/2017 Nelson D15/7

* cited by examiner

Primary Examiner — Ralf Seifert

(74) *Attorney, Agent, or Firm* — Anthony J. Bourget

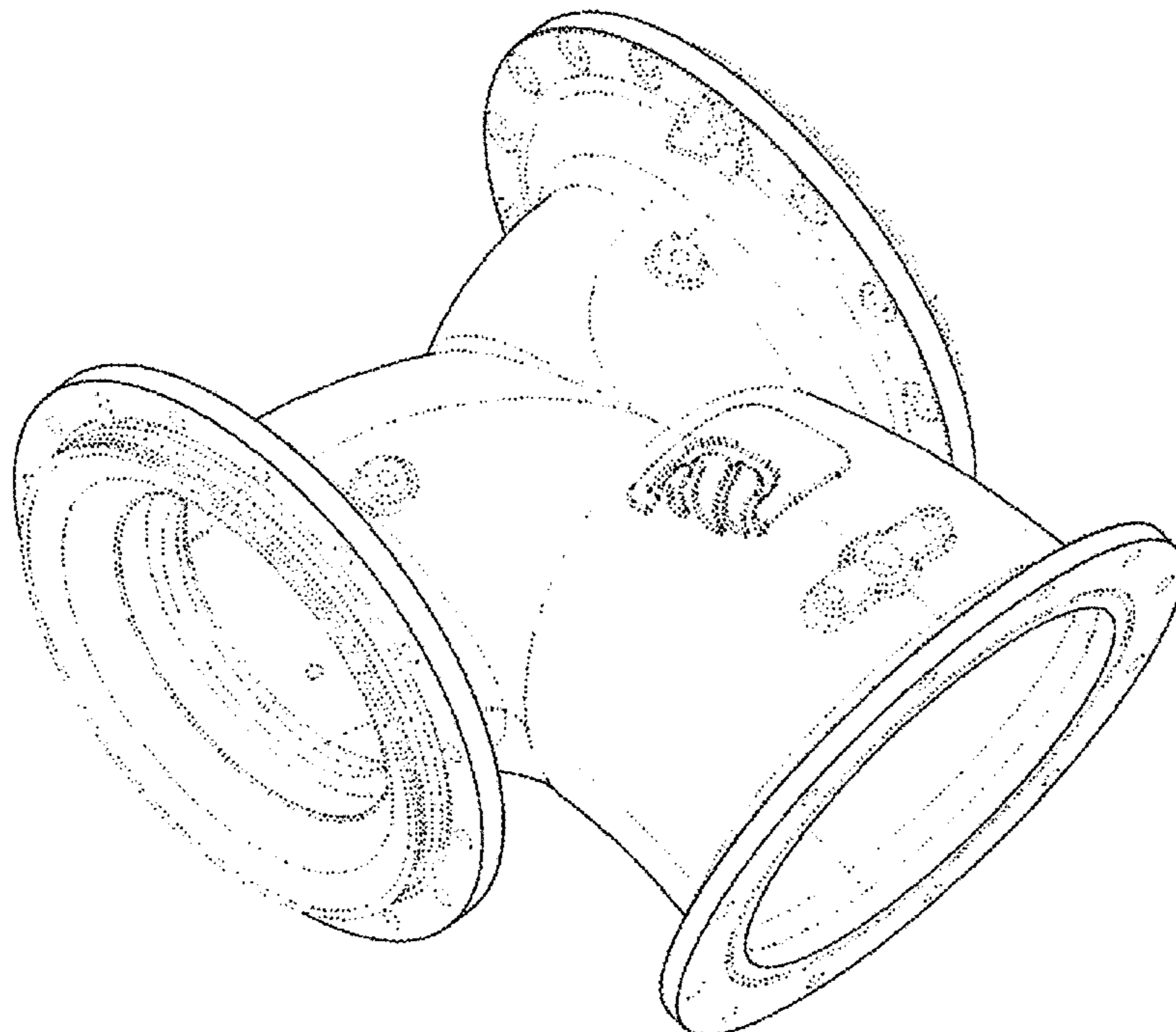
(57) **CLAIM**

The ornamental design for a pump casing component, as shown and described.

DESCRIPTION

FIG. 1 is a perspective view of a pump casing component showing my new design.
FIG. 2 is a left side elevational view thereof;
FIG. 3 is a right side elevational view thereof;
FIG. 4 is a front elevational view thereof;
FIG. 5 is a rear elevational view thereof;
FIG. 6 is a top plan view thereof; and,
FIG. 7 is a bottom plan view thereof.
Those portions of the drawings shown in broken or ghosted lines form no part of the claimed design.

1 Claim, 7 Drawing Sheets



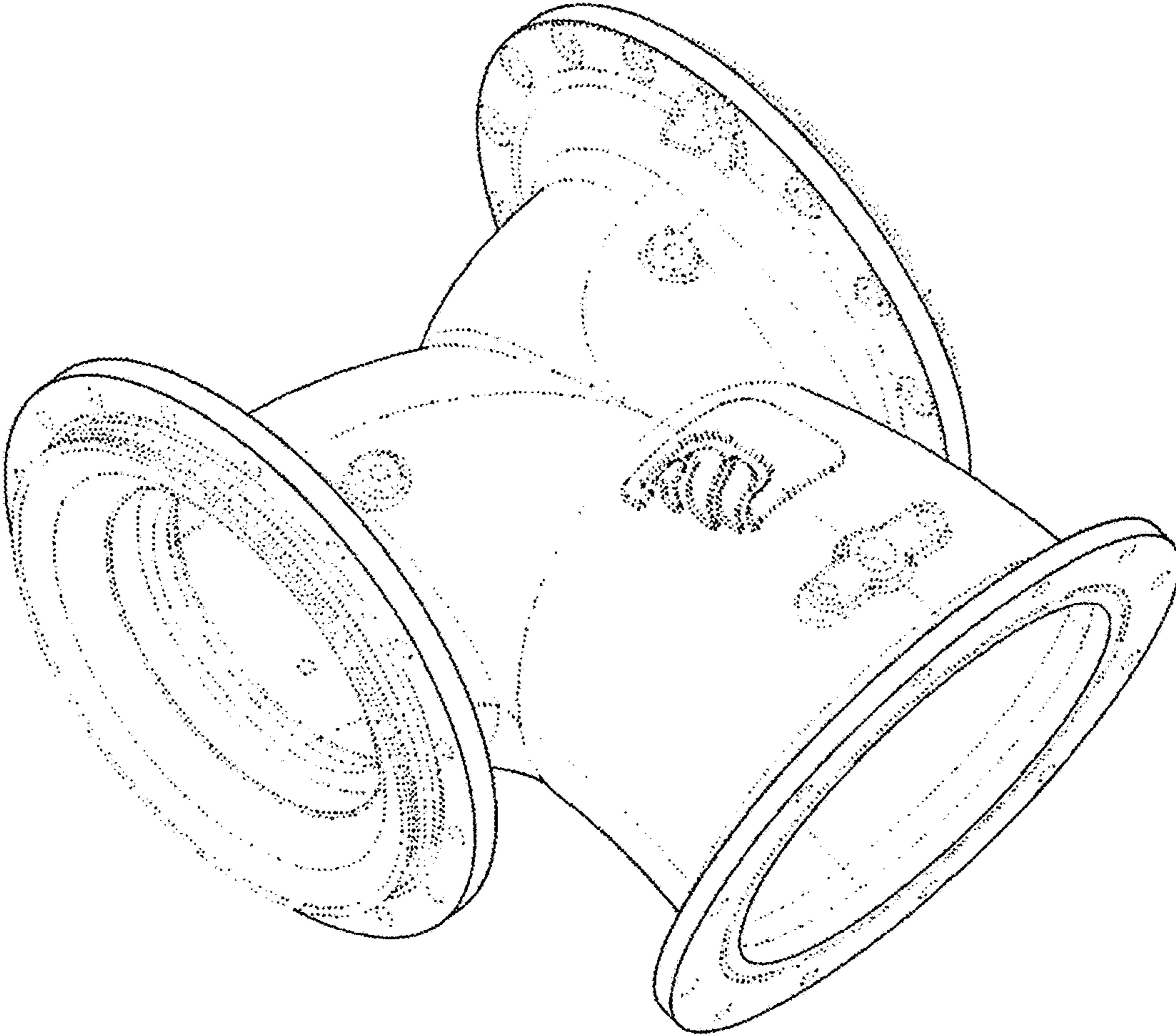


FIG. 1

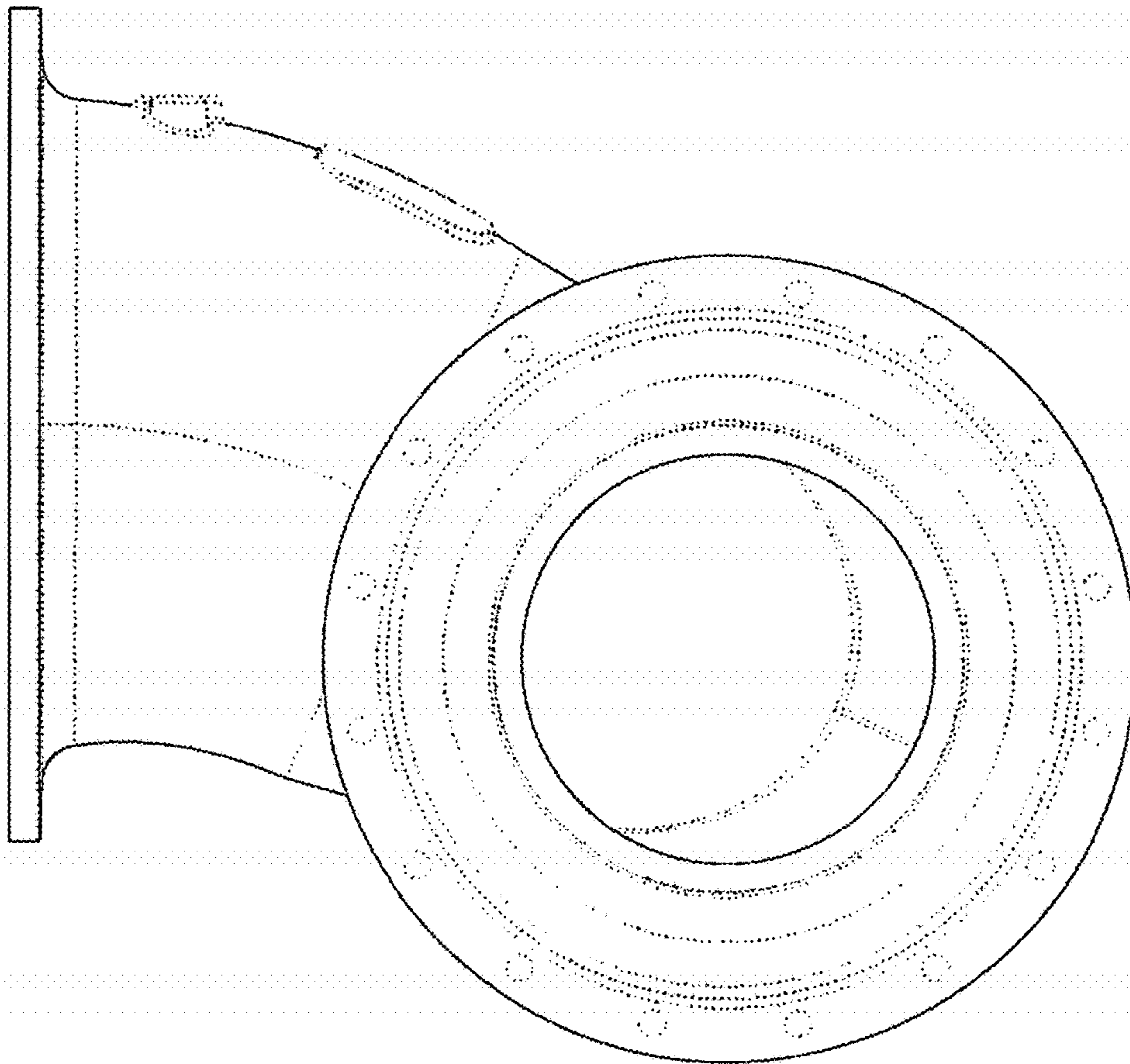


FIG. 2

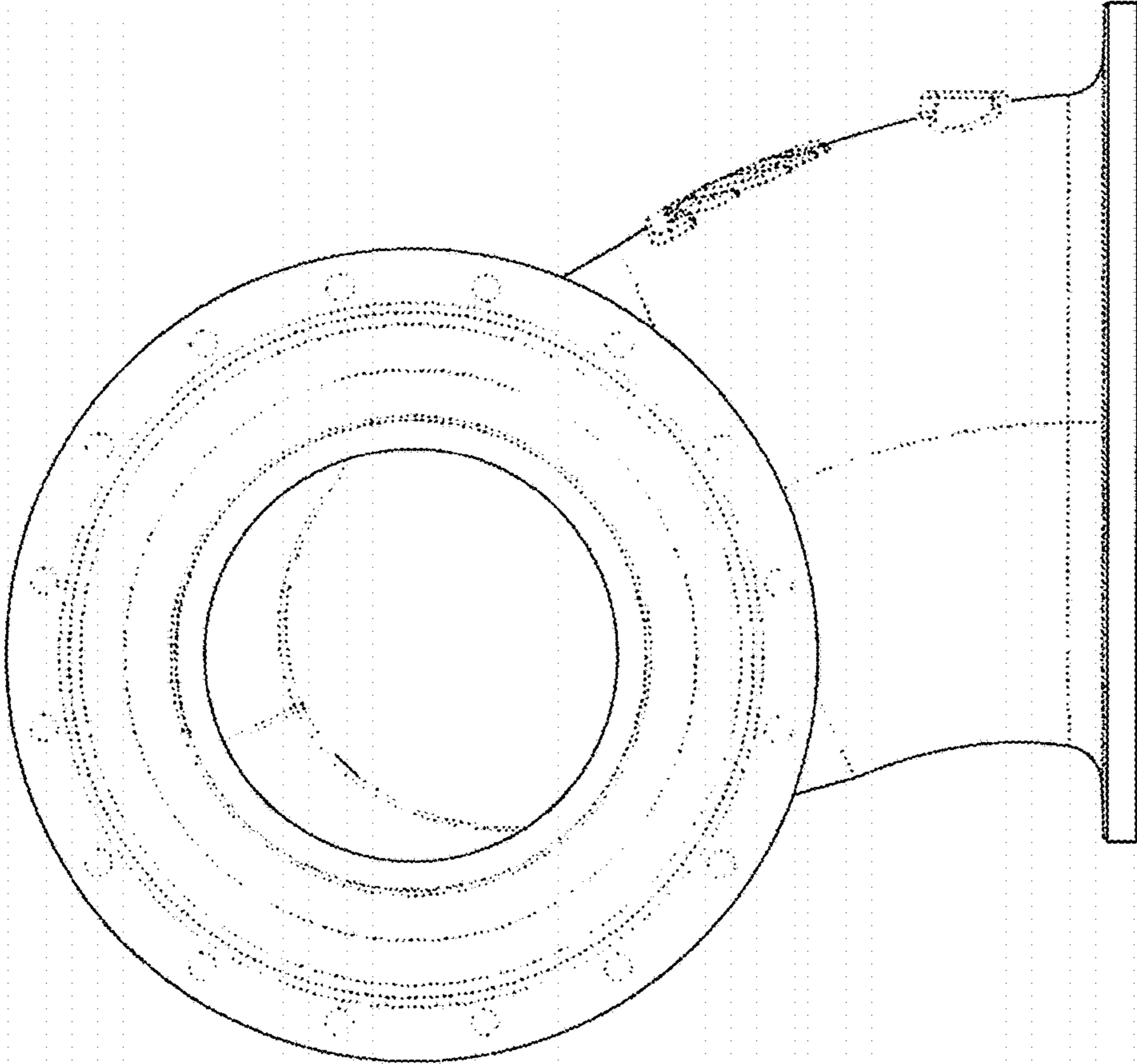


FIG. 3

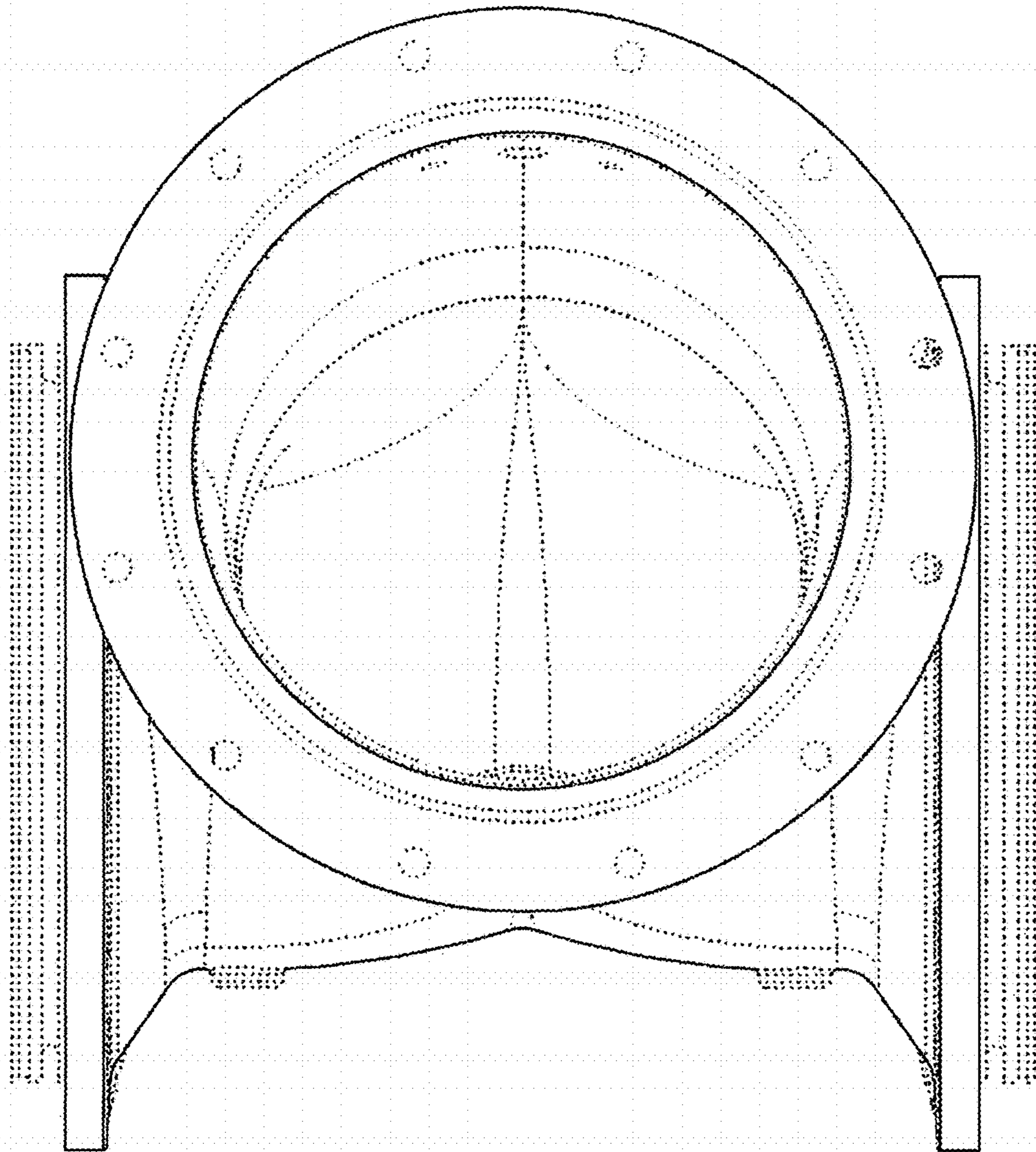


FIG. 4

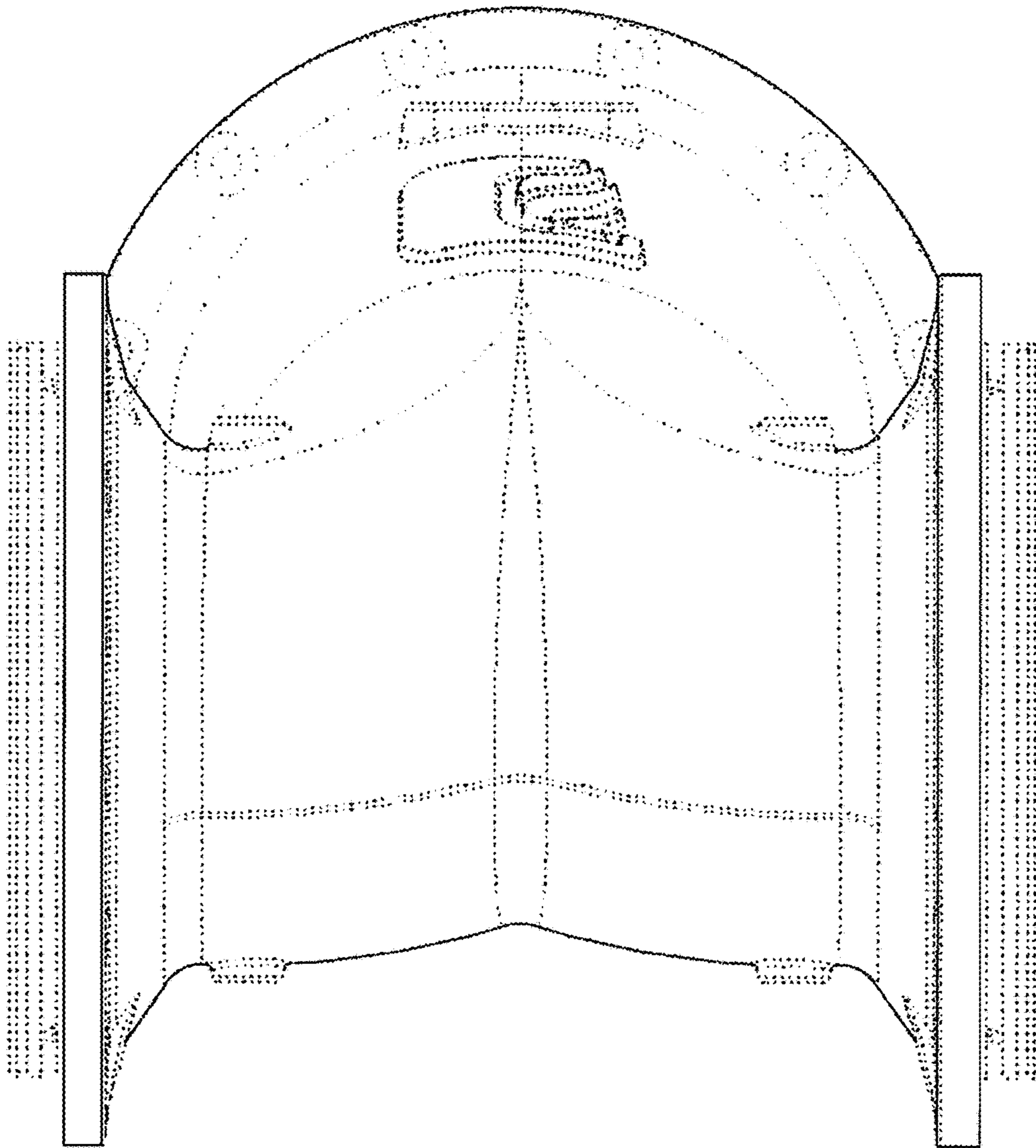


FIG. 5

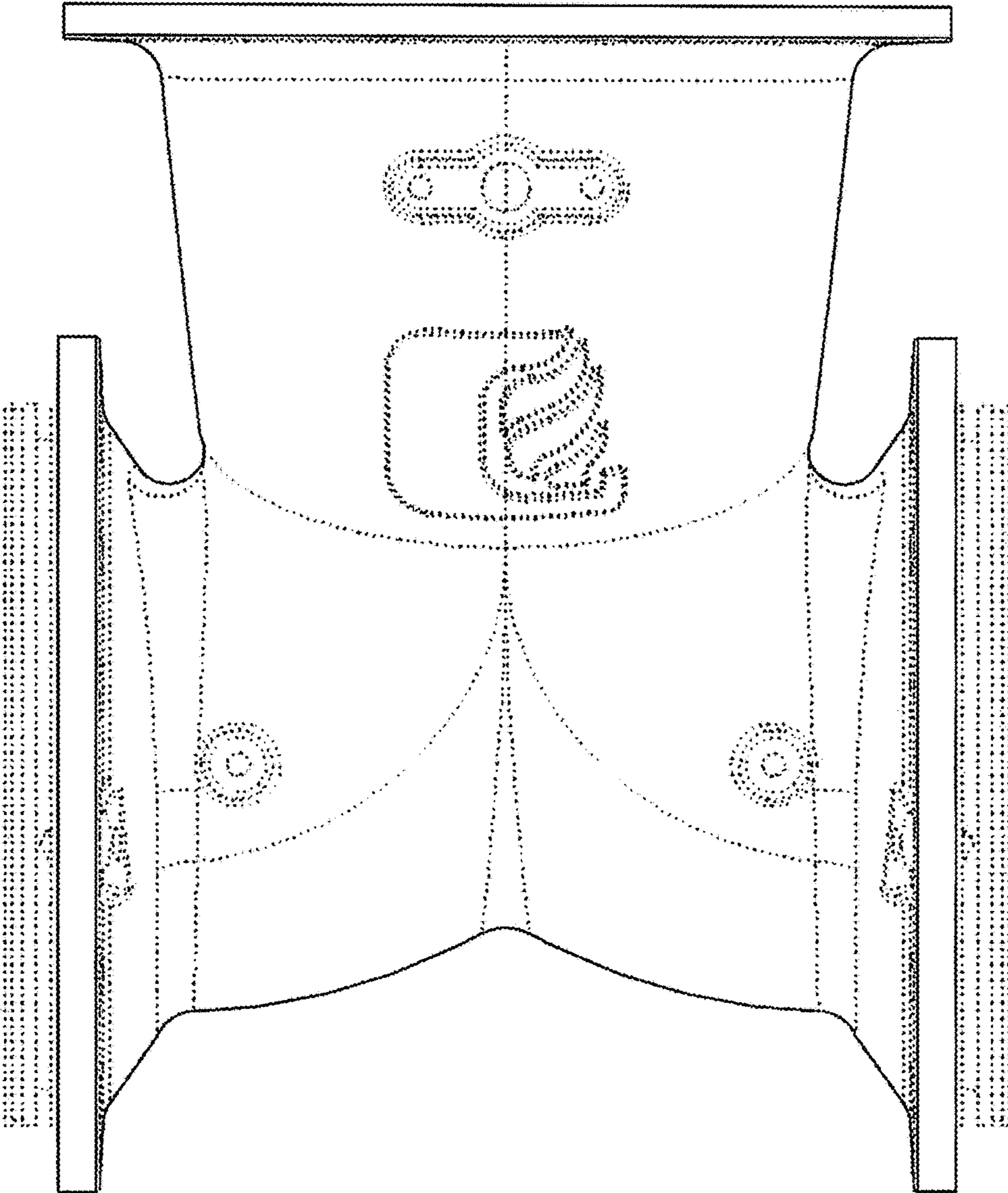


FIG. 6

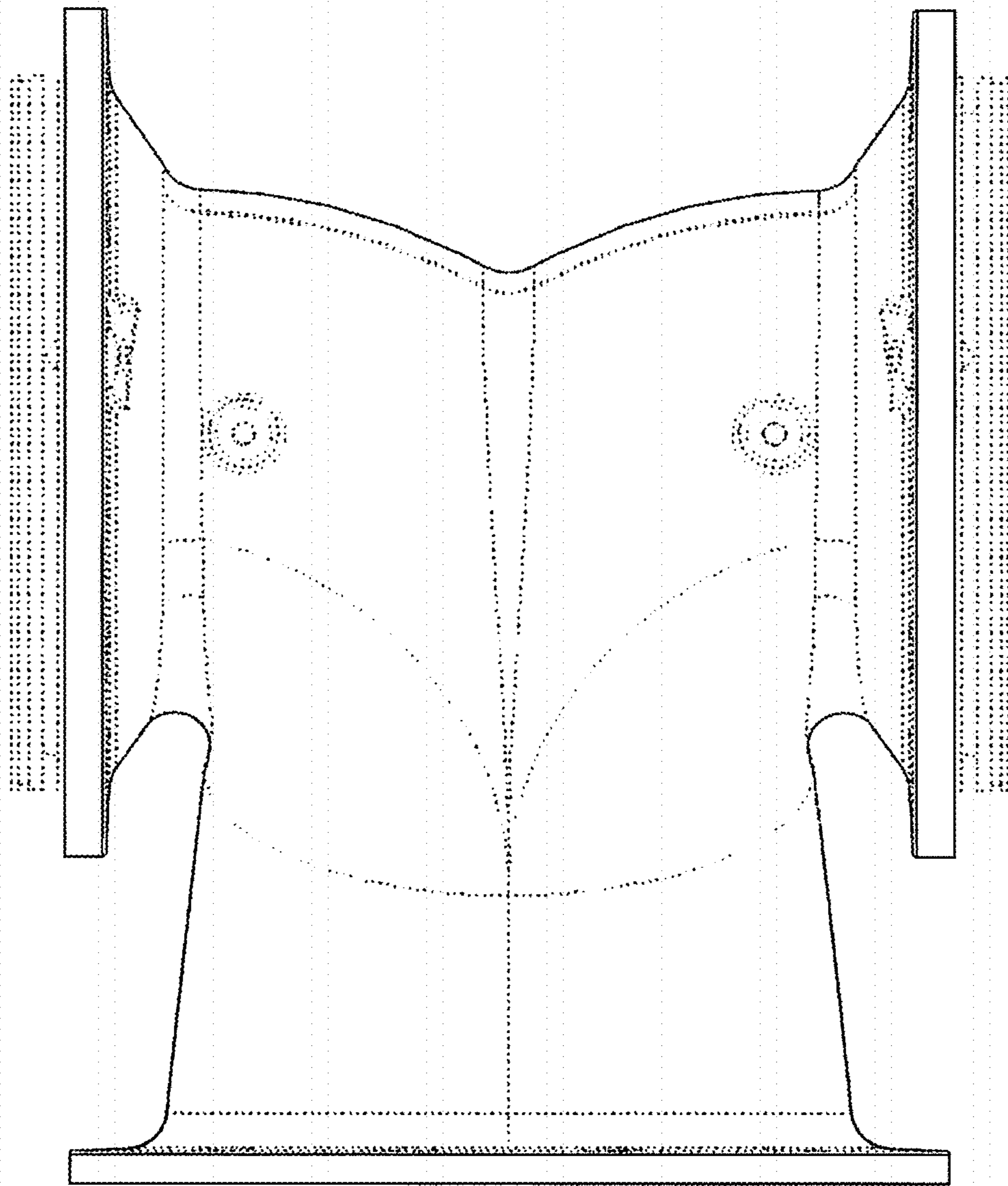


FIG. 7