



US00D827672S

(12) **United States Design Patent**
Kneip

(10) **Patent No.:** **US D827,672 S**
(45) **Date of Patent:** **** Sep. 4, 2018**

- (54) **FAN**
- (71) Applicant: **ebm-papst Landshut GmbH**, Landshut (DE)
- (72) Inventor: **Sven Kneip**, Marzling (DE)
- (73) Assignee: **ebm-papst Landshut GmbH**, Landshut (DE)
- (**) Term: **15 Years**
- (21) Appl. No.: **29/632,181**
- (22) Filed: **Jan. 5, 2018**
- (51) **LOC (11) Cl.** **15-01**
- (52) **U.S. Cl.**
USPC **D15/5**
- (58) **Field of Classification Search**
USPC D15/7, 9, 6, 5; D23/383, 411, 332
CPC F04D 29/42; F04D 29/4226; F04D 29/40;
F04D 29/403; F04D 29/668; F04D 25/08
See application file for complete search history.

- 8,596,957 B2 12/2013 Seebauer
 - D708,730 S * 7/2014 Lei D23/383
 - D708,731 S * 7/2014 Lei D23/383
 - D716,934 S 11/2014 Hertreiter
 - 2006/0051205 A1* 3/2006 Platz F04D 29/4233
415/206
 - 2006/0099072 A1* 5/2006 Lyons F04D 29/4226
415/214.1
 - 2014/0035271 A1* 2/2014 Lei F16L 55/07
285/14
 - 2018/0035613 A1* 2/2018 Hui A01F 12/444
- * cited by examiner

Primary Examiner — T Chase Nelson
Assistant Examiner — Ania Aman
 (74) *Attorney, Agent, or Firm* — Brinks Gilson & Lione

(57) **CLAIM**

The ornamental design for a fan, as shown and described.

DESCRIPTION

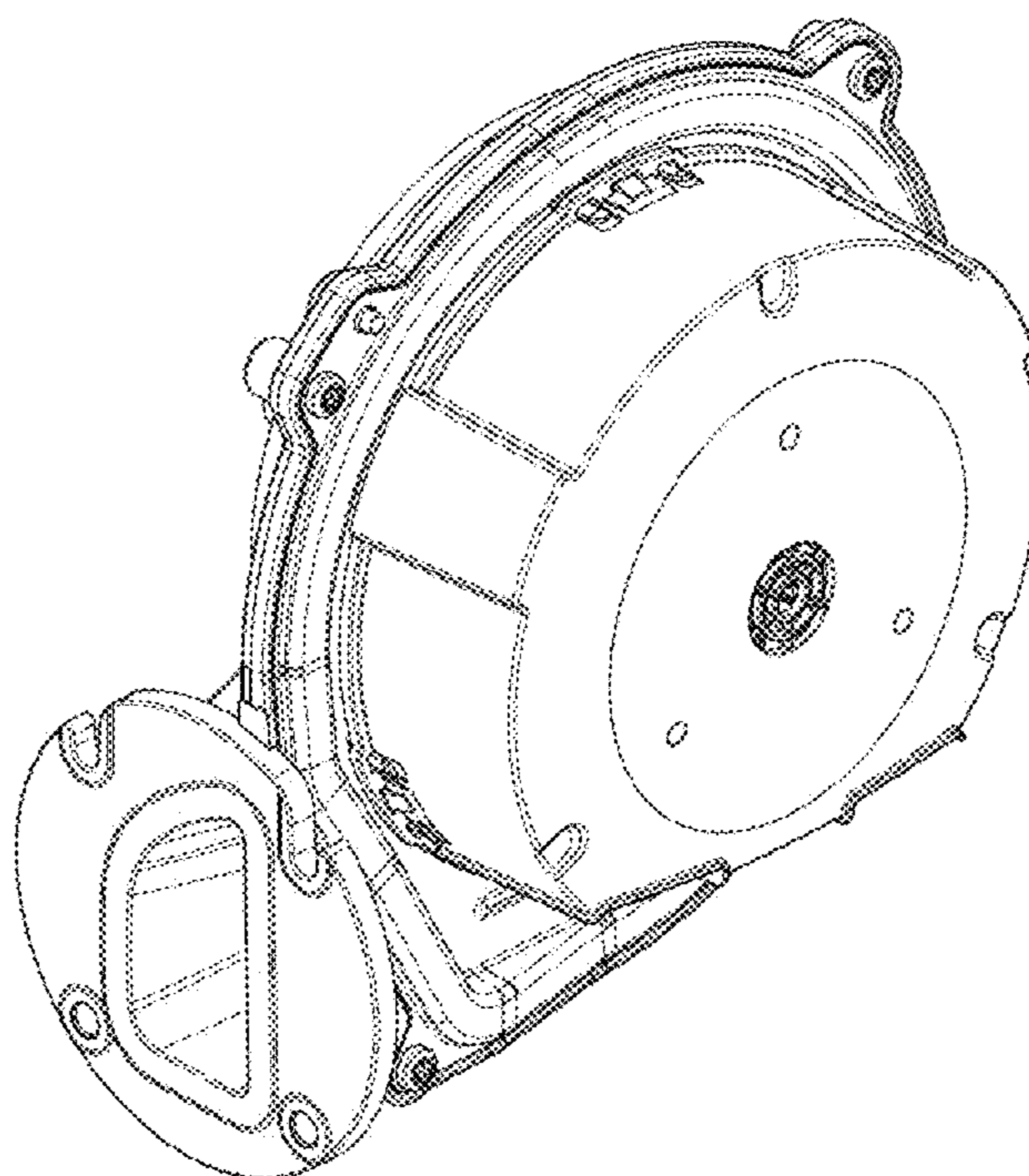
FIG. 1 is a perspective view of a new fan, taken from the top front right;
 FIG. 2 is perspective view thereof, taken from the top front left;
 FIG. 3 is a perspective view thereof, taken from the bottom front right;
 FIG. 4 is a right side elevation view thereof;
 FIG. 5 is a rear elevation view thereof;
 FIG. 6 is a front elevation view thereof; and,
 FIG. 7 is a left side elevation view thereof.

(56) **References Cited**

U.S. PATENT DOCUMENTS

- D207,359 S * 4/1967 Hajee D23/383
- D409,737 S * 5/1999 Nilsson D23/332
- D439,648 S * 3/2001 Jones D23/370
- D491,259 S * 6/2004 Garrison D23/370
- D537,518 S 2/2007 Teufel
- D621,027 S 8/2010 Peia
- 7,861,708 B1* 1/2011 Lyons F04D 29/668
126/104 A

1 Claim, 7 Drawing Sheets



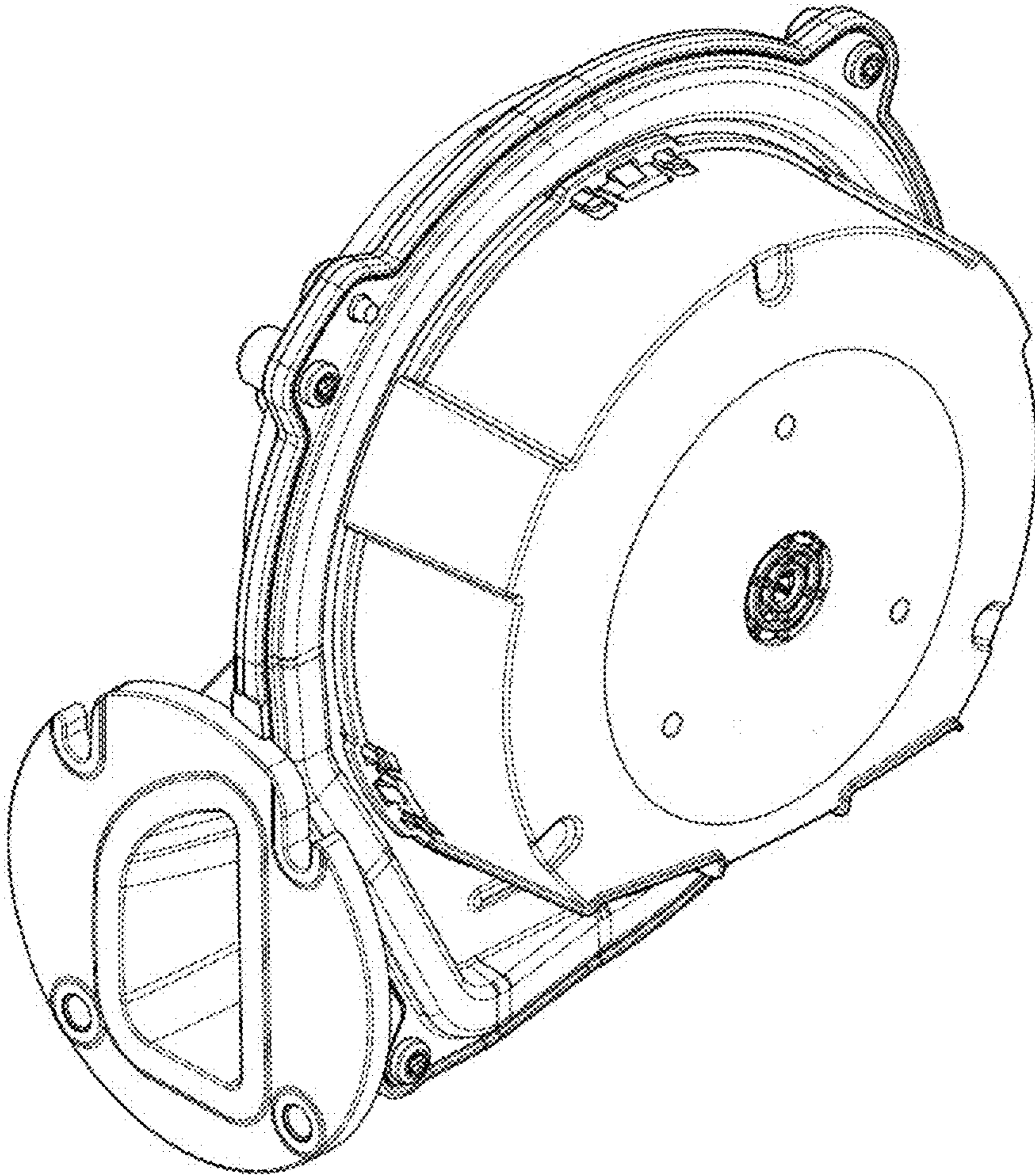


FIG. 1

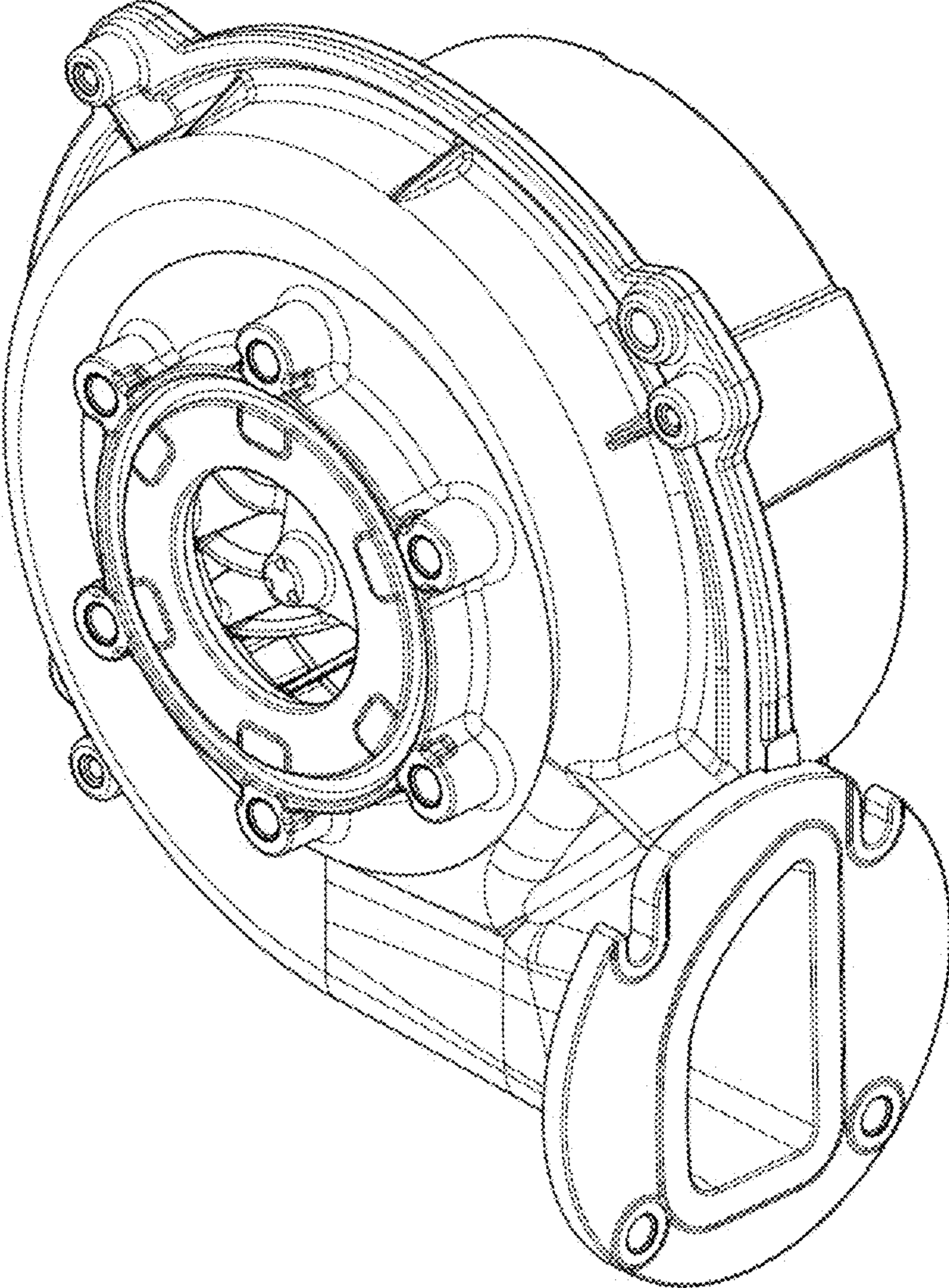


FIG. 2

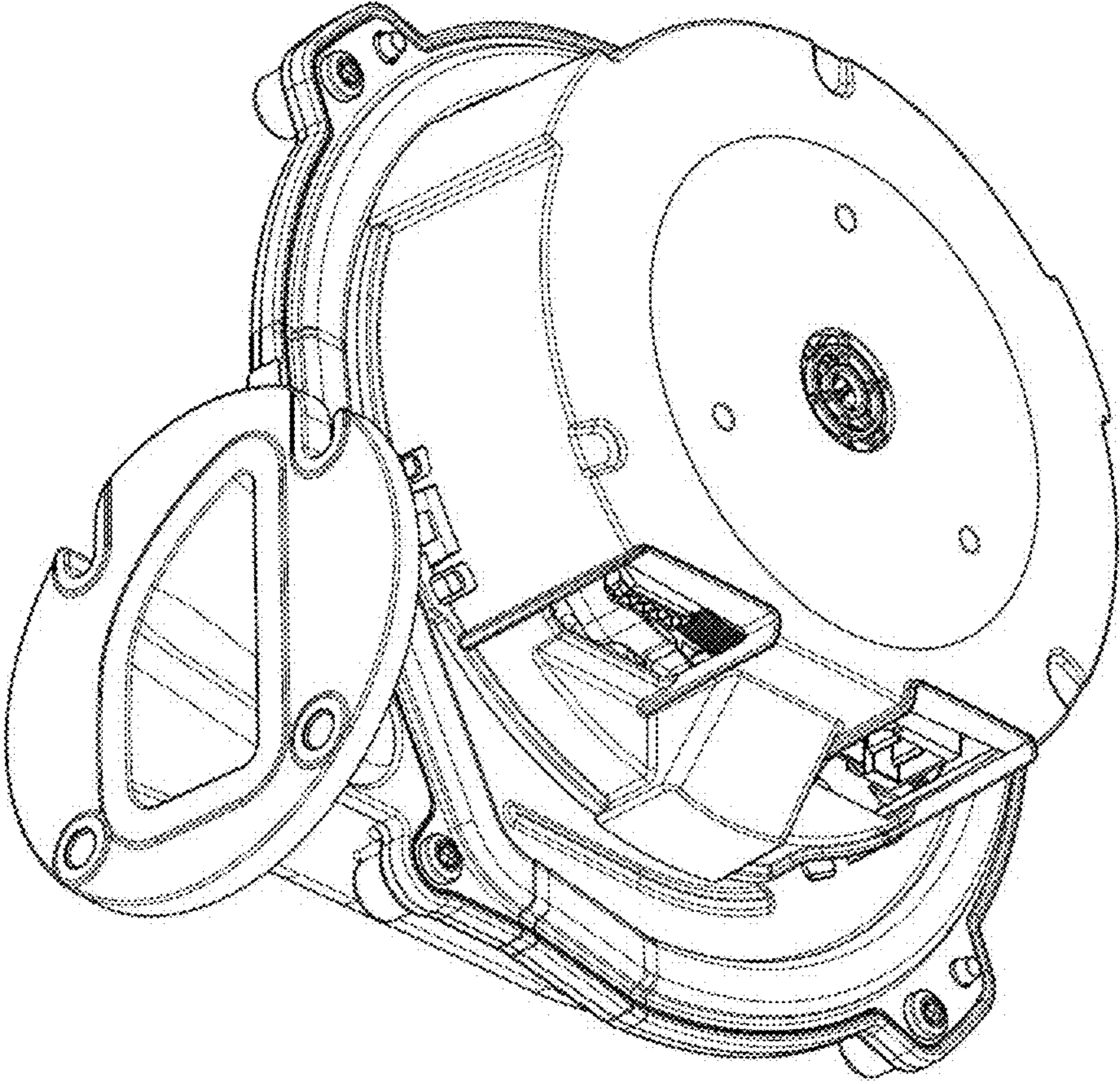


FIG. 3

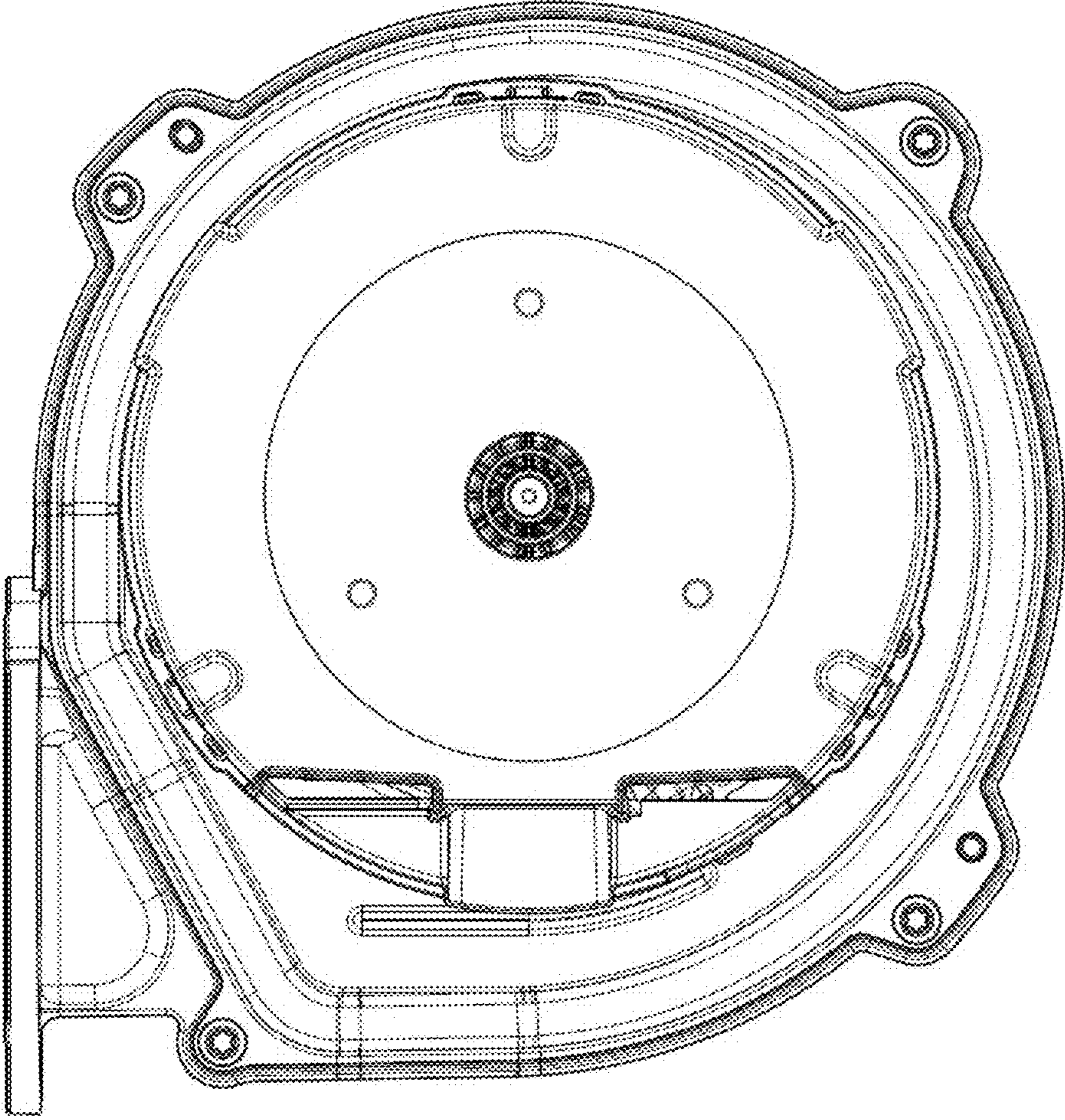


FIG. 4

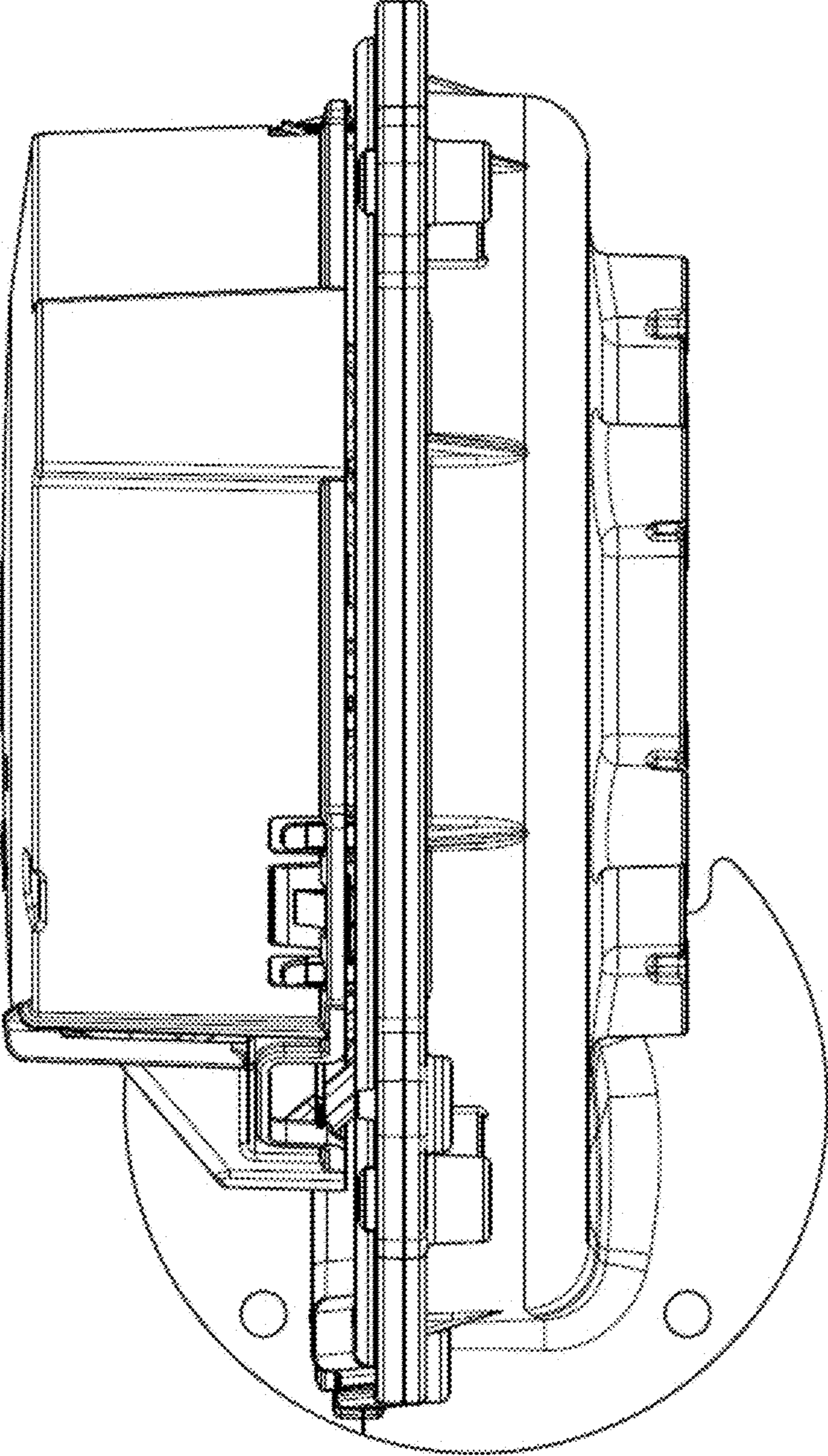


FIG. 5

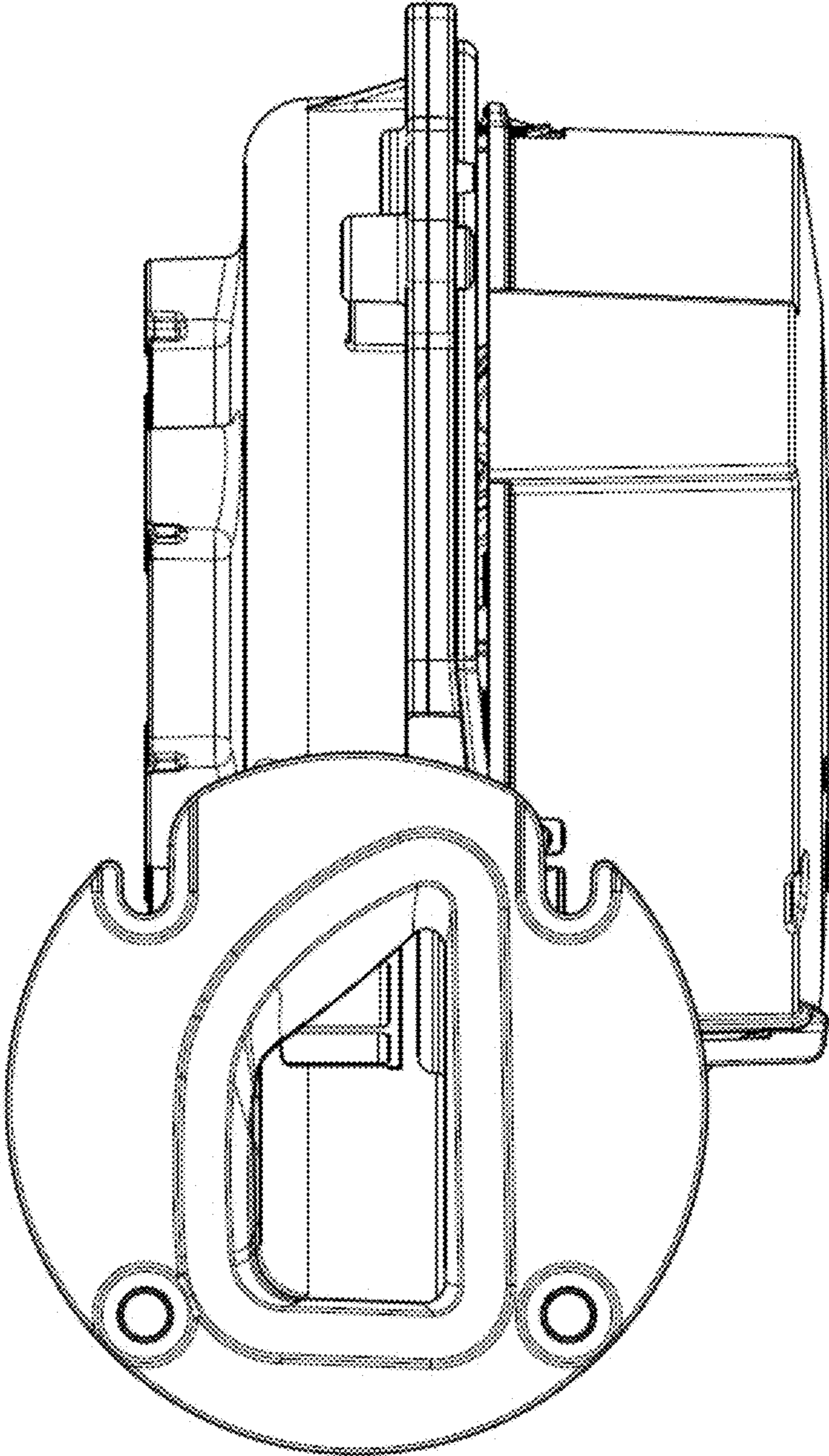


FIG. 6

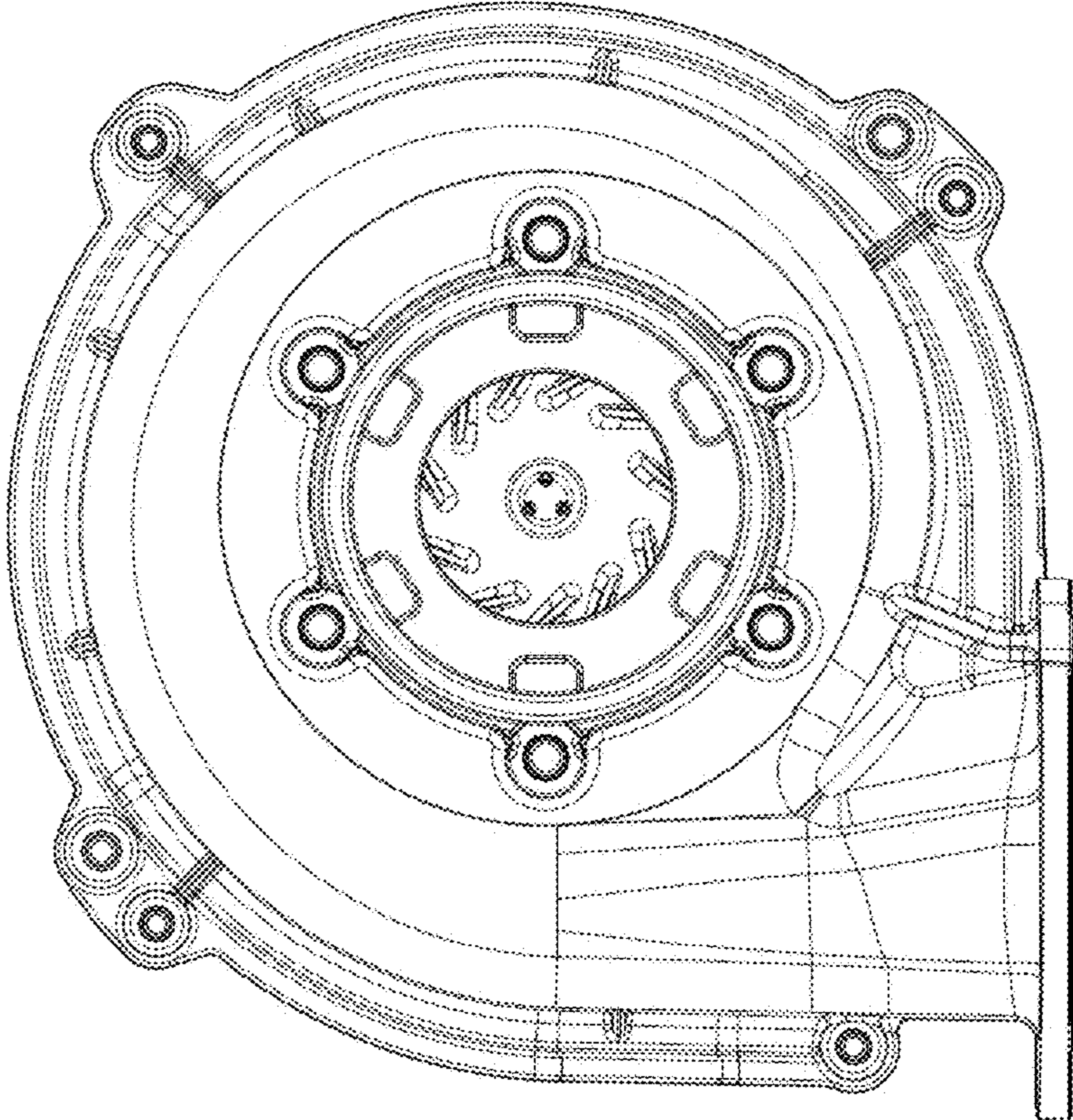


FIG. 7

UNITED STATES PATENT AND TRADEMARK OFFICE
CERTIFICATE OF CORRECTION

PATENT NO. : D827,672 S
APPLICATION NO. : 29/632181
DATED : September 4, 2018
INVENTOR(S) : Sven Kneip

Page 1 of 1

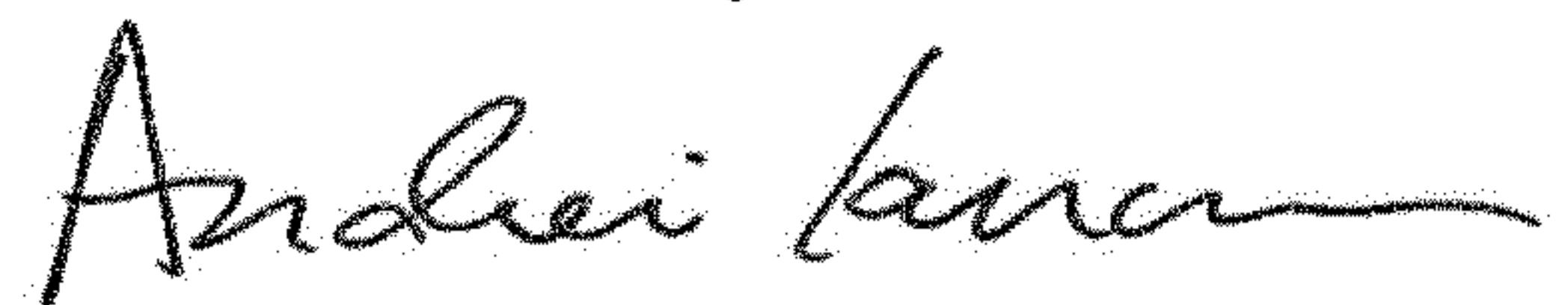
It is certified that error appears in the above-identified patent and that said Letters Patent is hereby corrected as shown below:

On the Title Page

In the left column, insert a new item as follows:

--Foreign Application Priority Data
July 7, 2017 (EP) Europe 004092955--.

Signed and Sealed this
Nineteenth Day of March, 2019



Andrei Iancu
Director of the United States Patent and Trademark Office