



US00D827655S

(12) **United States Design Patent** (10) **Patent No.:** **US D827,655 S**
Wang et al. (45) **Date of Patent:** **** Sep. 4, 2018**

(54) **DISPLAY SCREEN WITH GRAPHICAL USER INTERFACE**

(71) Applicant: **Tencent Technology (Shenzhen) Company Limited**, Shenzhen, Guangdong (CN)

(72) Inventors: **Chong Wang**, Guangdong (CN); **Bei Zhang**, Guangdong (CN); **Guie Zhuge**, Guangdong (CN); **Cuixia Li**, Guangdong (CN); **Ying Peng**, Guangdong (CN); **Bei Li**, Guangdong (CN); **Chuming Tang**, Guangdong (CN)

(73) Assignee: **Tencent Technology (Shenzhen) Company Limited** (CN)

(**) Term: **15 Years**

(21) Appl. No.: **29/546,733**

(22) Filed: **Nov. 25, 2015**

(30) **Foreign Application Priority Data**

May 26, 2015 (CN) 2015 3 0163046

(51) **LOC (11) Cl.** **14-04**

(52) **U.S. Cl.**
USPC **D14/485**

(58) **Field of Classification Search**
USPC D14/485-495
CPC G06F 17/211; G06F 17/212; G06F 3/1251;
G06F 3/0481; G06F 2203/04807
See application file for complete search history.

(56) **References Cited**

U.S. PATENT DOCUMENTS

D650,795 S * 12/2011 Koehn D14/492
D651,610 S * 1/2012 Anzures D14/488

D652,426 S * 1/2012 Anzures D14/488
D667,451 S * 9/2012 Wujcik D14/492
D678,904 S * 3/2013 Phelan D14/492
D683,757 S * 6/2013 Phelan D14/489
D687,065 S * 7/2013 Myung D14/492
D701,878 S * 4/2014 Cahill D14/488
D705,260 S * 5/2014 Gerssen D14/491
D705,799 S * 5/2014 Funabashi D14/487
D709,080 S * 7/2014 Kim D14/486
D714,816 S * 10/2014 Varon G06F 3/04817
D14/486
D717,335 S * 11/2014 Sakuma D14/487
D724,617 S * 3/2015 Shin D14/487
D725,677 S * 3/2015 Park D14/492
D726,209 S * 4/2015 Angelides D14/486
D729,275 S * 5/2015 Kang D14/492
D731,540 S * 6/2015 Kadosh D14/489
D733,184 S * 6/2015 Park D14/490
D741,368 S * 10/2015 Supino D14/490

(Continued)

Primary Examiner — Darlington Ly

Assistant Examiner — Daniel J Domino

(74) *Attorney, Agent, or Firm* — Design IP

(57) **CLAIM**

The ornamental design for a display screen with graphical user interface, as shown and described.

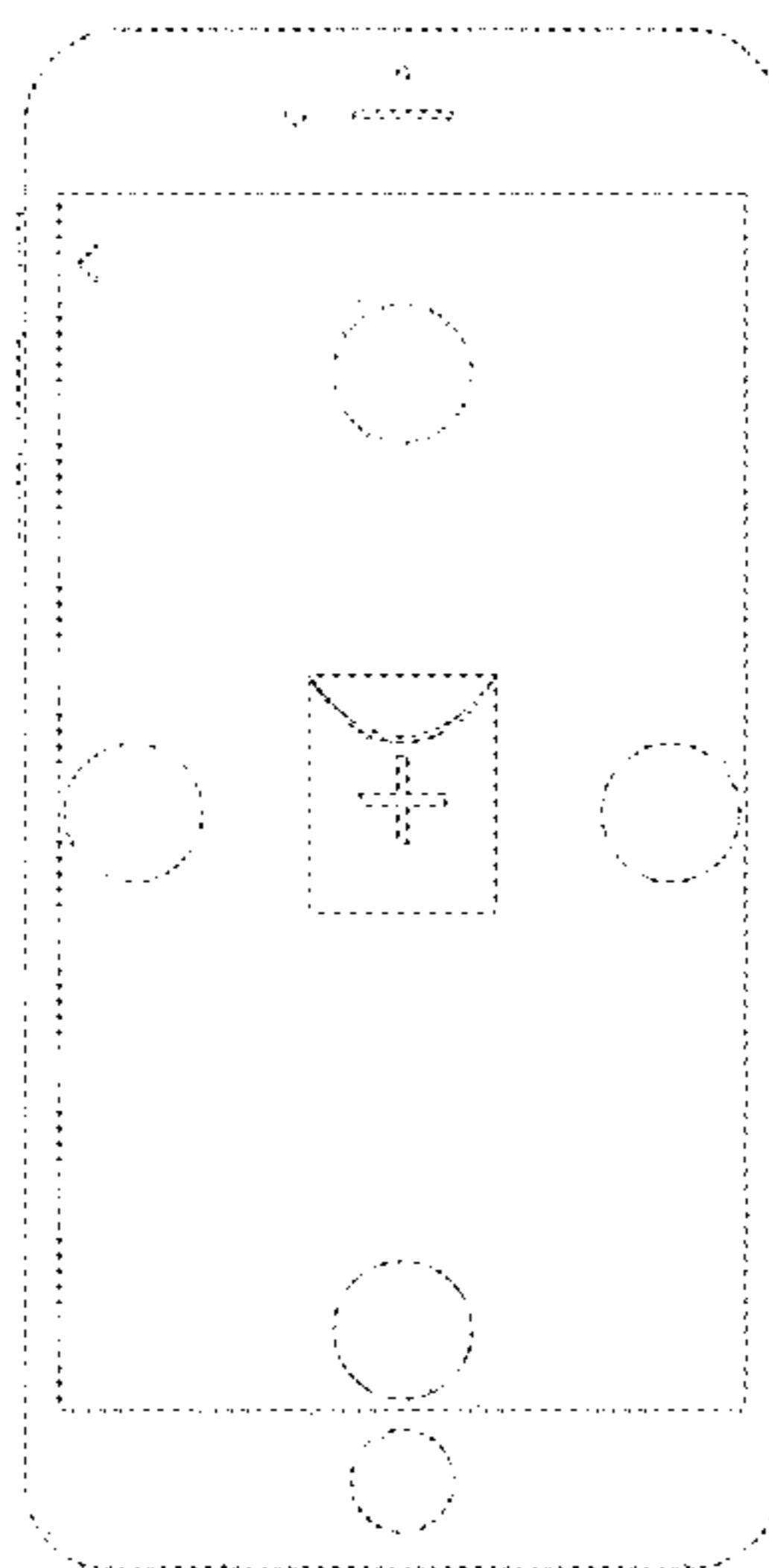
DESCRIPTION

FIG. 1 is a front view of a first embodiment of a display screen with graphical user interface showing our new design; and,

FIG. 2 is a front view of a second embodiment of a display screen with graphical user interface showing our new design.

The broken lines showing an electronic device illustrate environmental structure, whereas the broken lines showing a display screen and elements of the graphical user interface illustrate portions of the article. No subject matter illustrated in broken lines form part of the claimed design.

1 Claim, 2 Drawing Sheets



(56)

References Cited

U.S. PATENT DOCUMENTS

D746,833	S *	1/2016	Kim	D14/485
D755,846	S *	5/2016	Lee	D14/492
D757,047	S *	5/2016	Cornwell	D14/485
D763,276	S *	8/2016	Kim	D14/485
D765,722	S *	9/2016	Aoshima	D14/489
D777,786	S *	1/2017	Kim	D14/492
2013/0024806	A1 *	1/2013	Funabashi	G06F 3/04886 715/781
2013/0100051	A1 *	4/2013	Mochizuki	G06F 3/0483 345/173

* cited by examiner

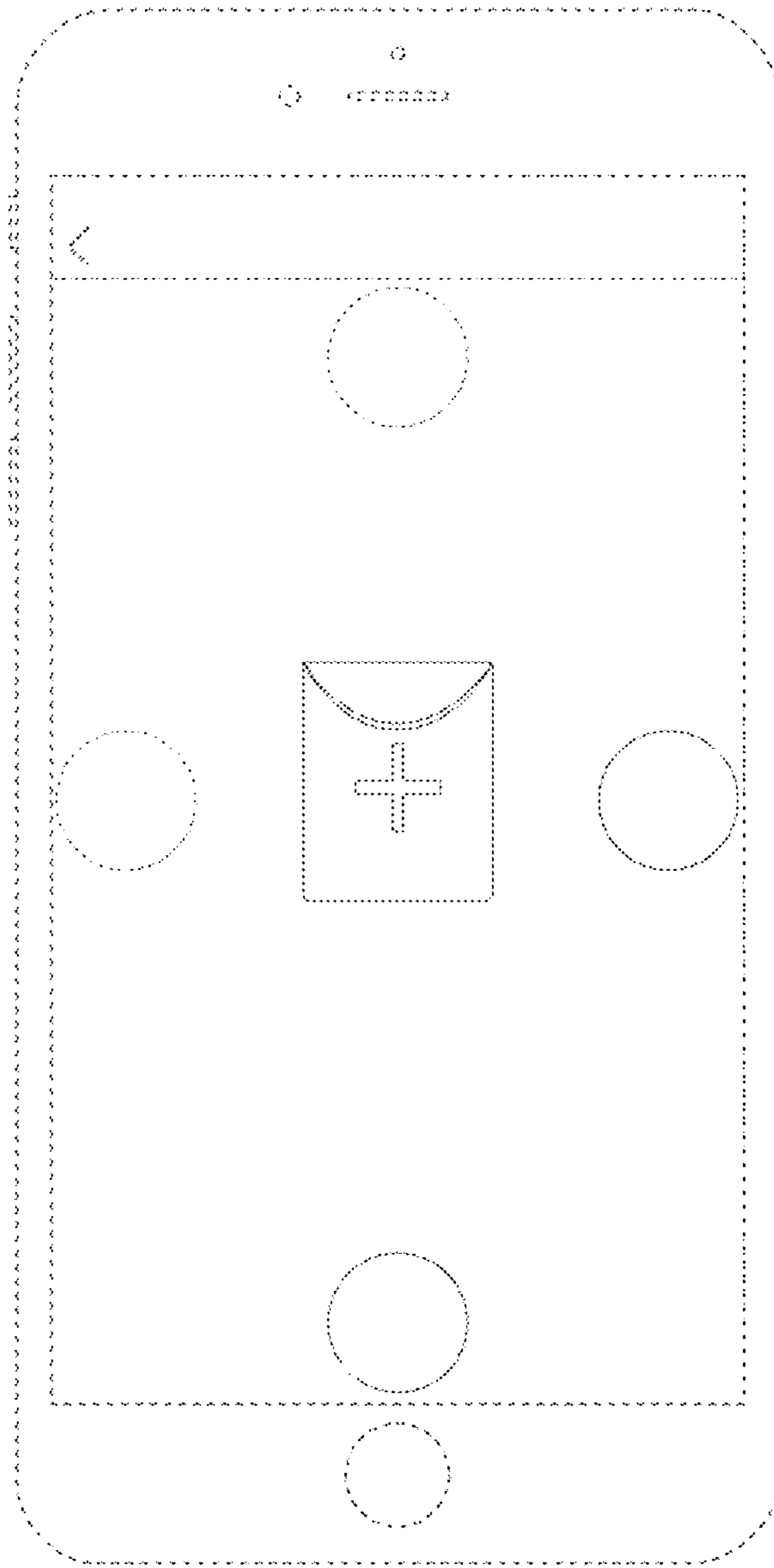


FIG. 1

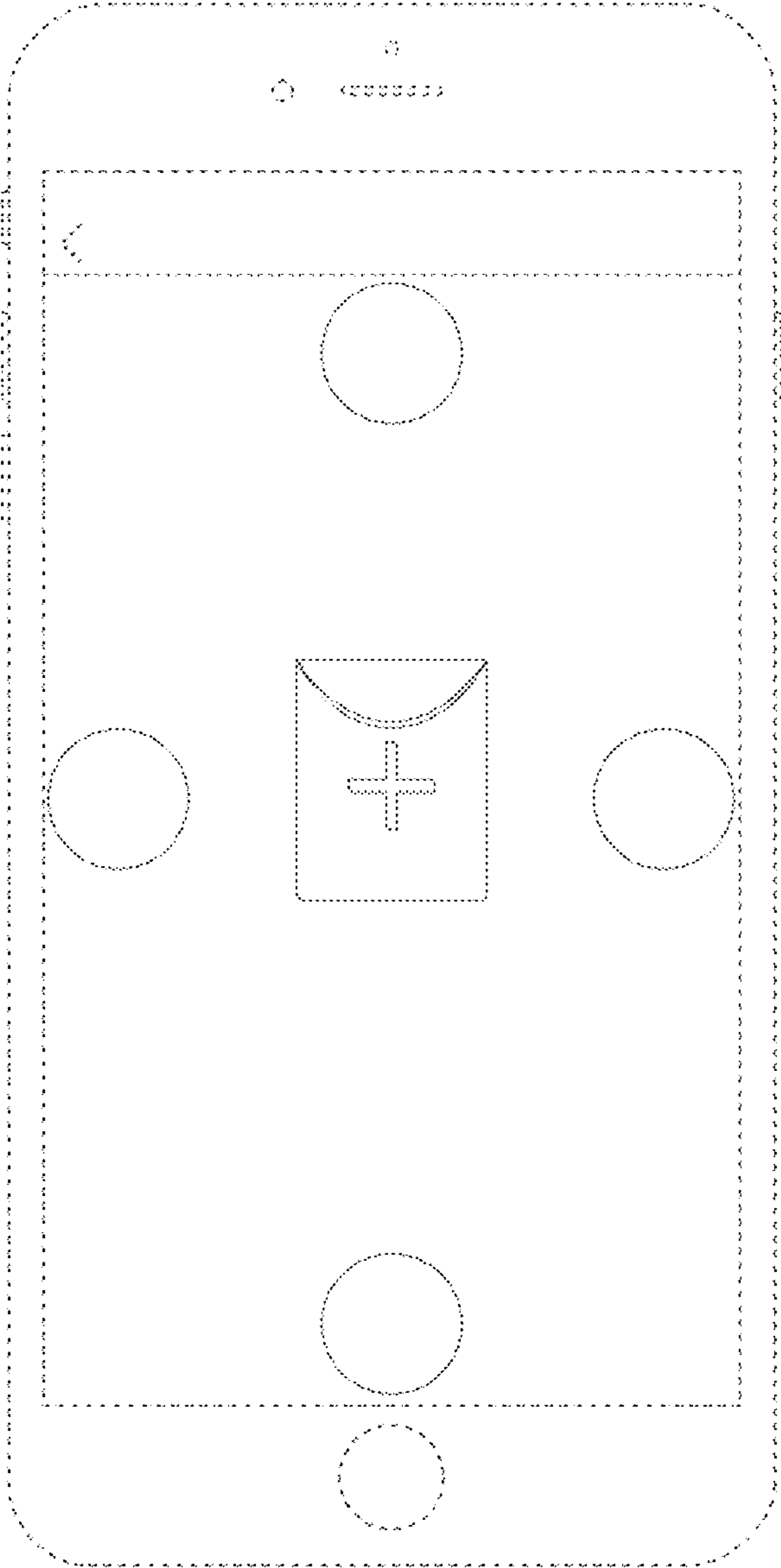


FIG. 2