



US00D827652S

(12) **United States Design Patent** (10) **Patent No.:** **US D827,652 S**
Jacques (45) **Date of Patent:** **** Sep. 4, 2018**

(54) **TABLET HOLDER**
(71) Applicant: **X2 S.E.N.C.**, Montreal (CA)
(72) Inventor: **Jean-François Jacques**, Montreal (CA)
(73) Assignee: **X2 S.E.N.C.**, Montreal (CA)
(**) Term: **15 Years**

(21) Appl. No.: **29/602,166**
(22) Filed: **Apr. 28, 2017**
(51) **LOC (11) Cl.** **08-07**
(52) **U.S. Cl.**
USPC **D14/447**
(58) **Field of Classification Search**
USPC D14/447, 432, 434, 439, 440, 451, 452,
D14/457, 239; D8/363, 373, 380;
D6/406.3, 406.4, 406.5, 406.6; D12/415
CPC A47B 21/04; A47B 2097/006; A47B
2097/005; A47B 2023/049; A45C
2011/002; A45C 2011/003; F16M
2200/00; F16M 13/00
See application file for complete search history.

(56) **References Cited**
U.S. PATENT DOCUMENTS
D558,772 S * 1/2008 Derry D14/447
D620,941 S * 8/2010 Stacey D14/447
D630,222 S * 1/2011 Lin D14/447
D636,397 S * 4/2011 Green D14/447
D658,189 S * 4/2012 Zhao D14/447
D669,890 S * 10/2012 Hopkins D14/251
D684,979 S * 6/2013 Chun D14/447
D689,500 S * 9/2013 Faulk D14/447
D692,436 S * 10/2013 Hung D14/447

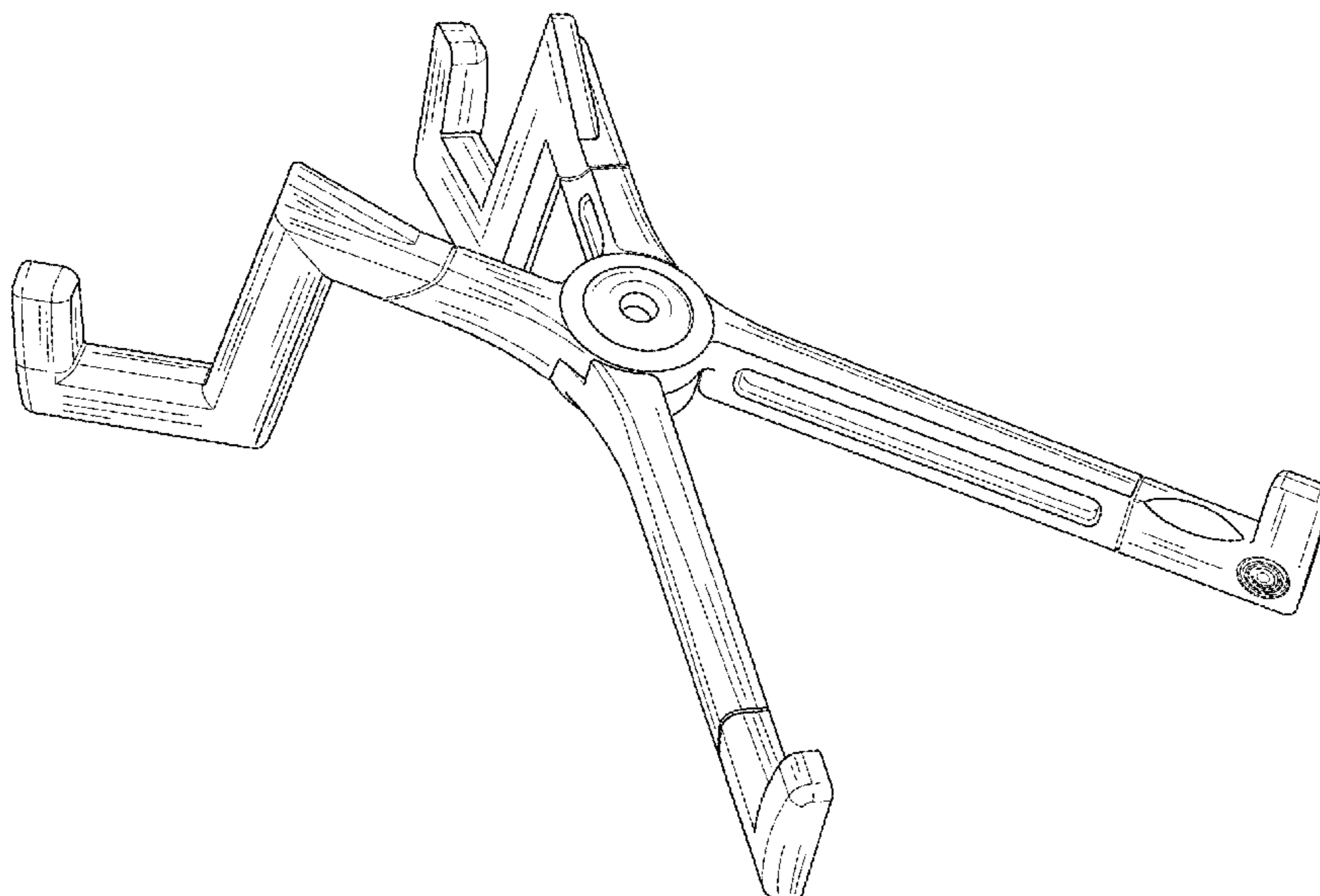
D716,642 S * 11/2014 Harges D8/380
D742,387 S * 11/2015 Xiang D14/447
D750,087 S * 2/2016 Wu D14/447
D753,126 S * 4/2016 Alesi D14/447
* cited by examiner

Primary Examiner — Angela J Lee
(74) *Attorney, Agent, or Firm* — Gonzalo Lavin

(57) **CLAIM**
The ornamental design for a “tablet holder”, as shown and described.

DESCRIPTION
FIG. 1 is a perspective view of a tablet holder;
FIG. 2 is a front view of the tablet holder of FIG. 1;
FIG. 3 is a rear view of the tablet holder of FIG. 1;
FIG. 4 is a left view of the tablet holder of FIG. 1;
FIG. 5 is a right view of the tablet holder of FIG. 1;
FIG. 6 is a top view of the tablet holder of FIG. 1;
FIG. 7 is a bottom view of the tablet holder of FIG. 1;
FIG. 8 is a perspective front view of the tablet holder of FIG. 1 with an electronic portable tablet shown in broken lines;
FIG. 9 is a perspective top view of the tablet holder of FIG. 8 with the electronic portable tablet shown in broken lines;
FIG. 10 is a perspective view of the tablet holder of FIG. 1 shown in a closed position;
FIG. 11 is a front view of the closed tablet holder of FIG. 10;
FIG. 12 is a rear view of the closed tablet holder of FIG. 10;
FIG. 13 is a left view of the closed tablet holder of FIG. 10;
FIG. 14 is a right view of the closed tablet holder of FIG. 10;
FIG. 15 is a top view of the closed tablet holder of FIG. 10;
and,
FIG. 16 is a bottom view of the closed tablet holder of FIG. 10.

1 Claim, 10 Drawing Sheets



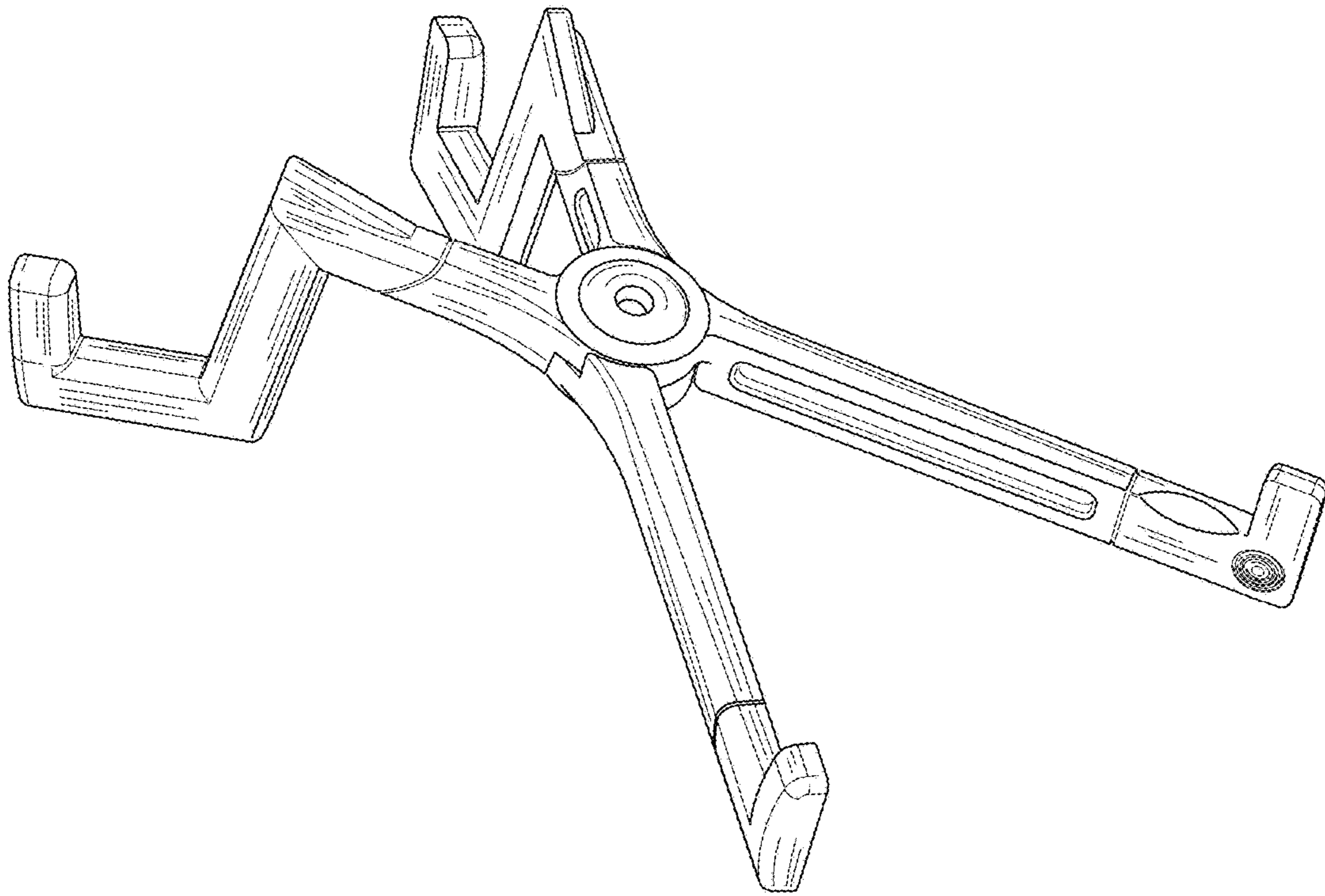


Fig. 1

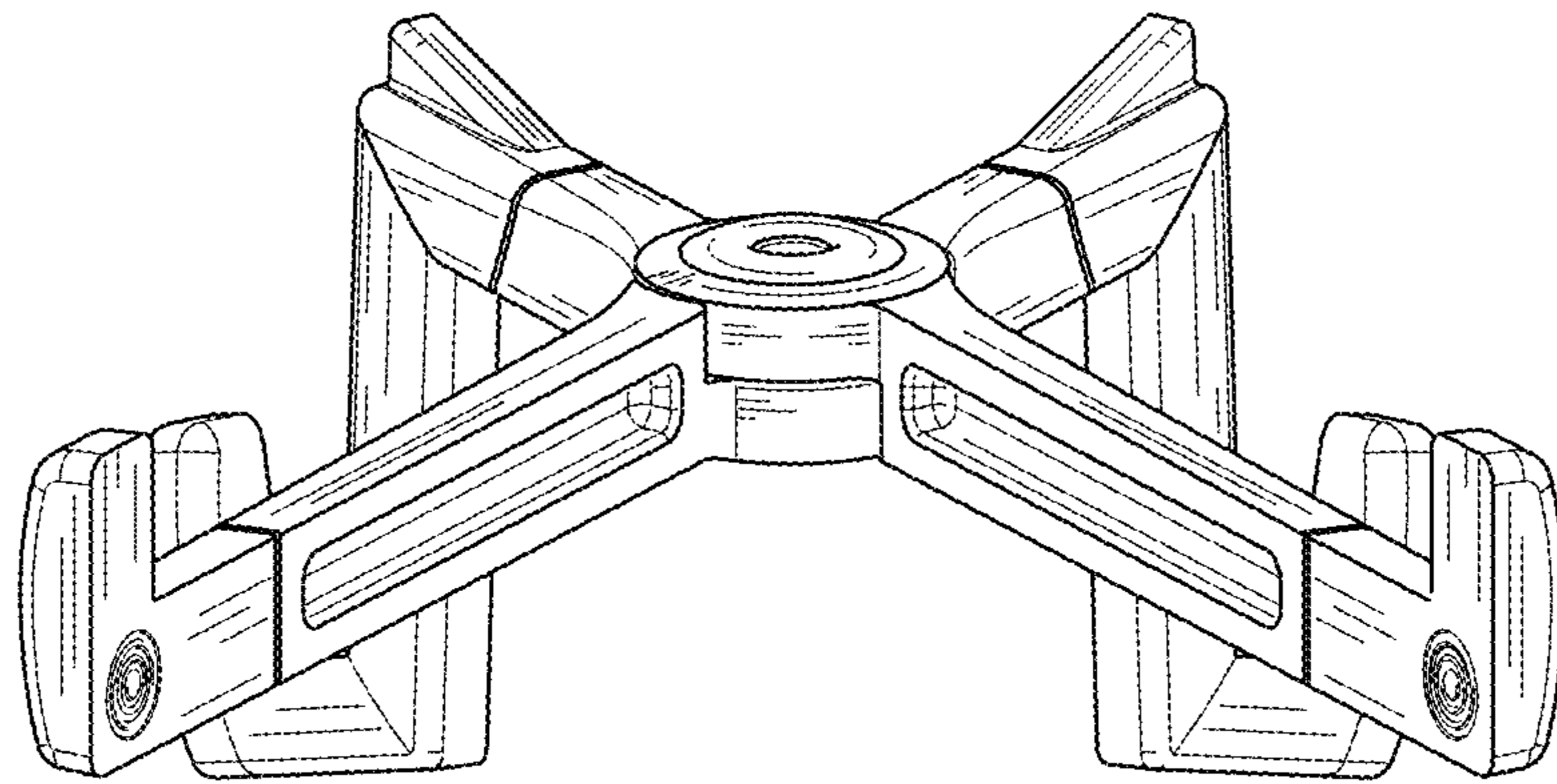


Fig. 2

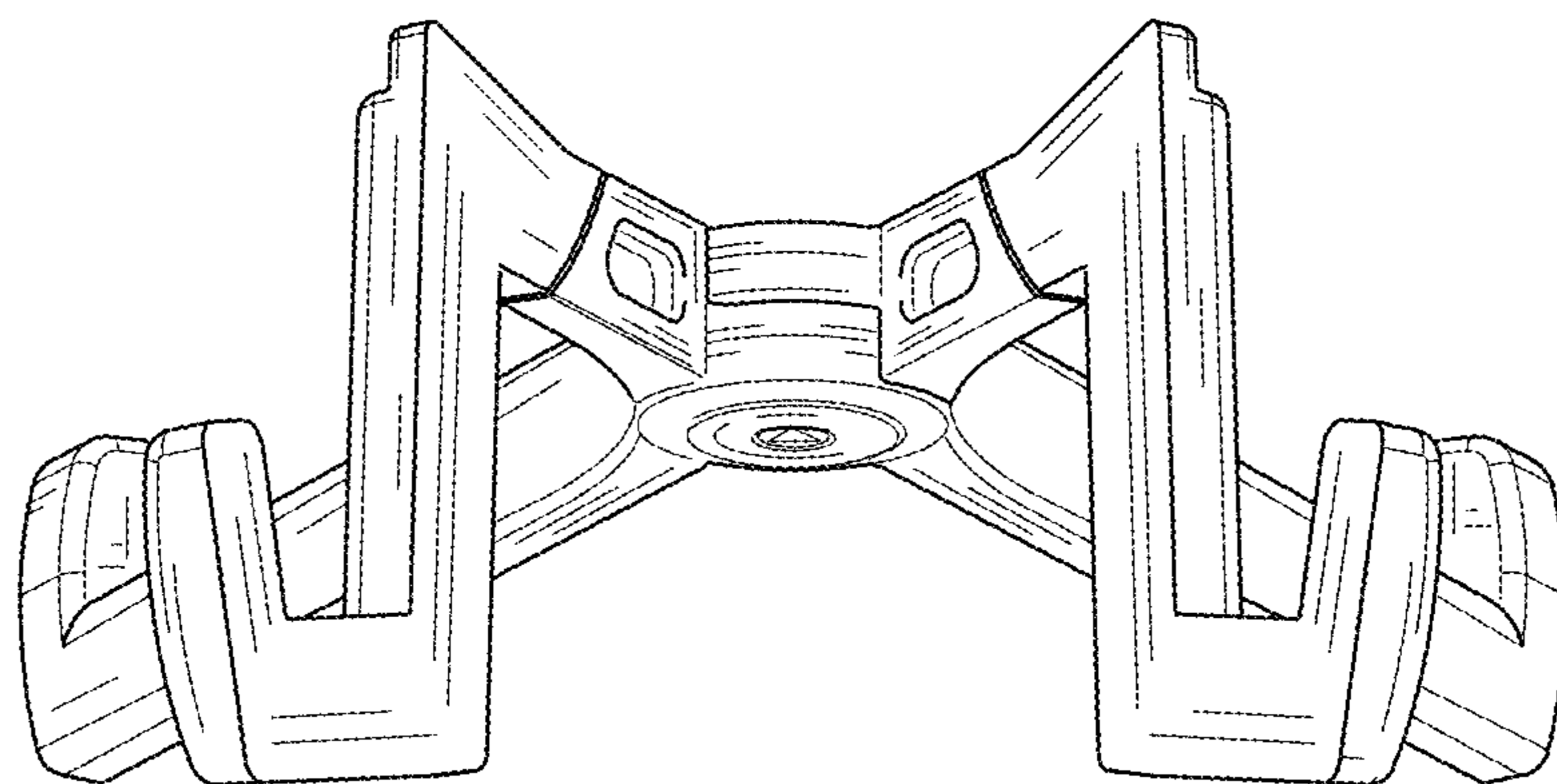


Fig. 3

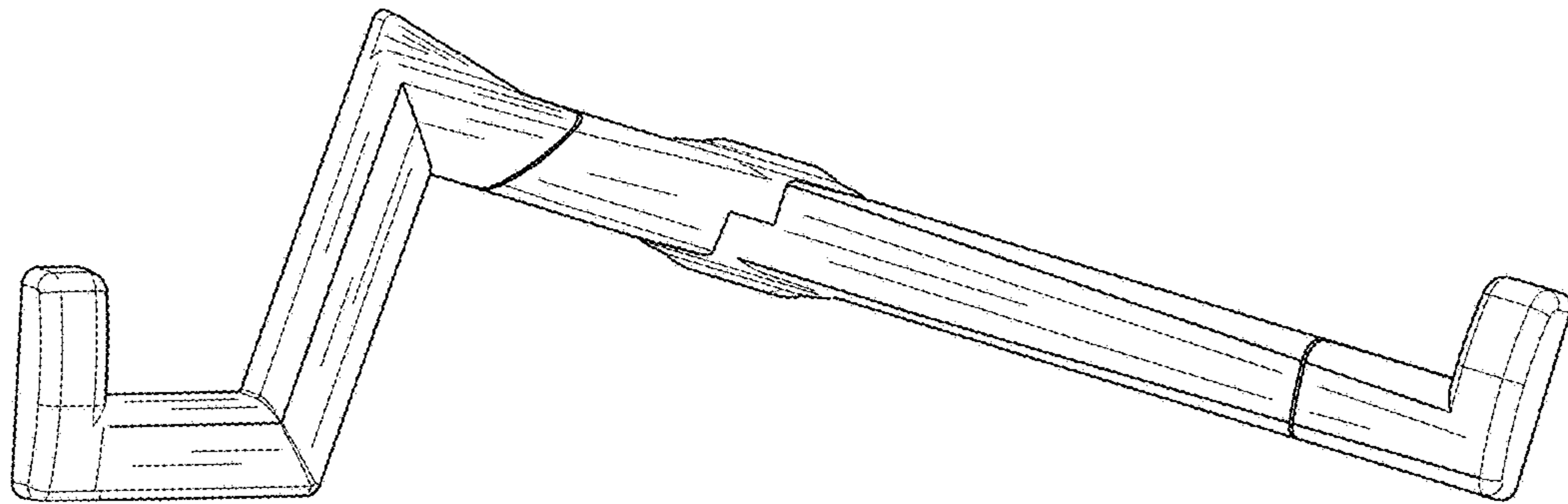


Fig. 4

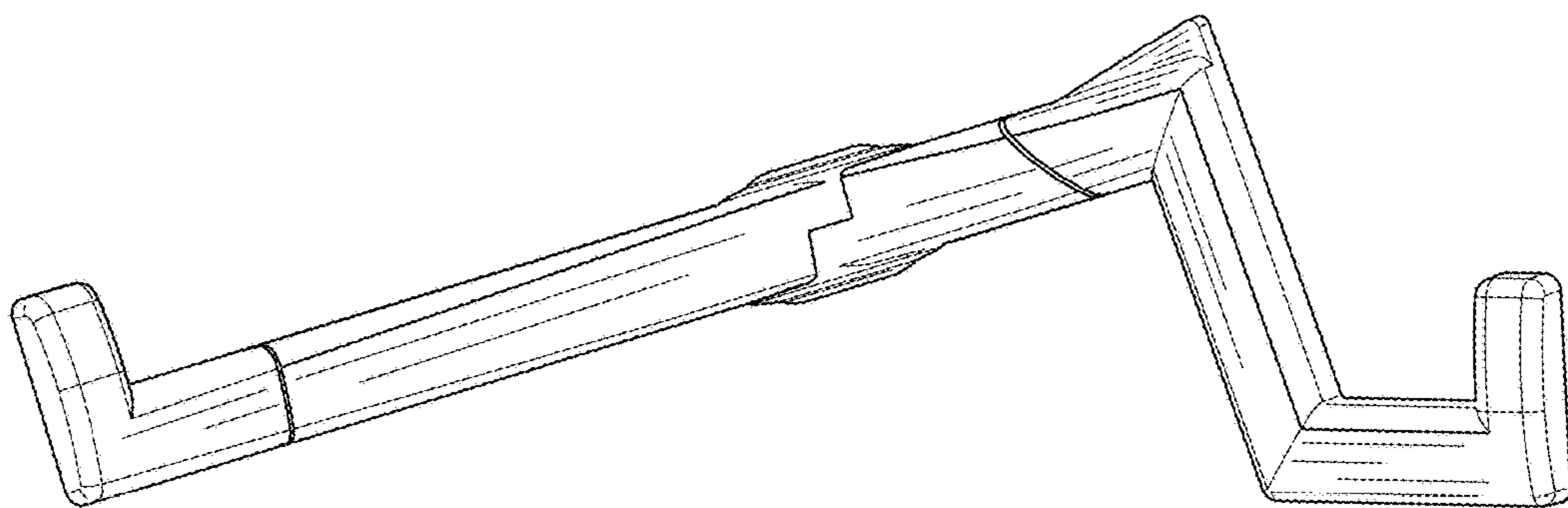


Fig. 5

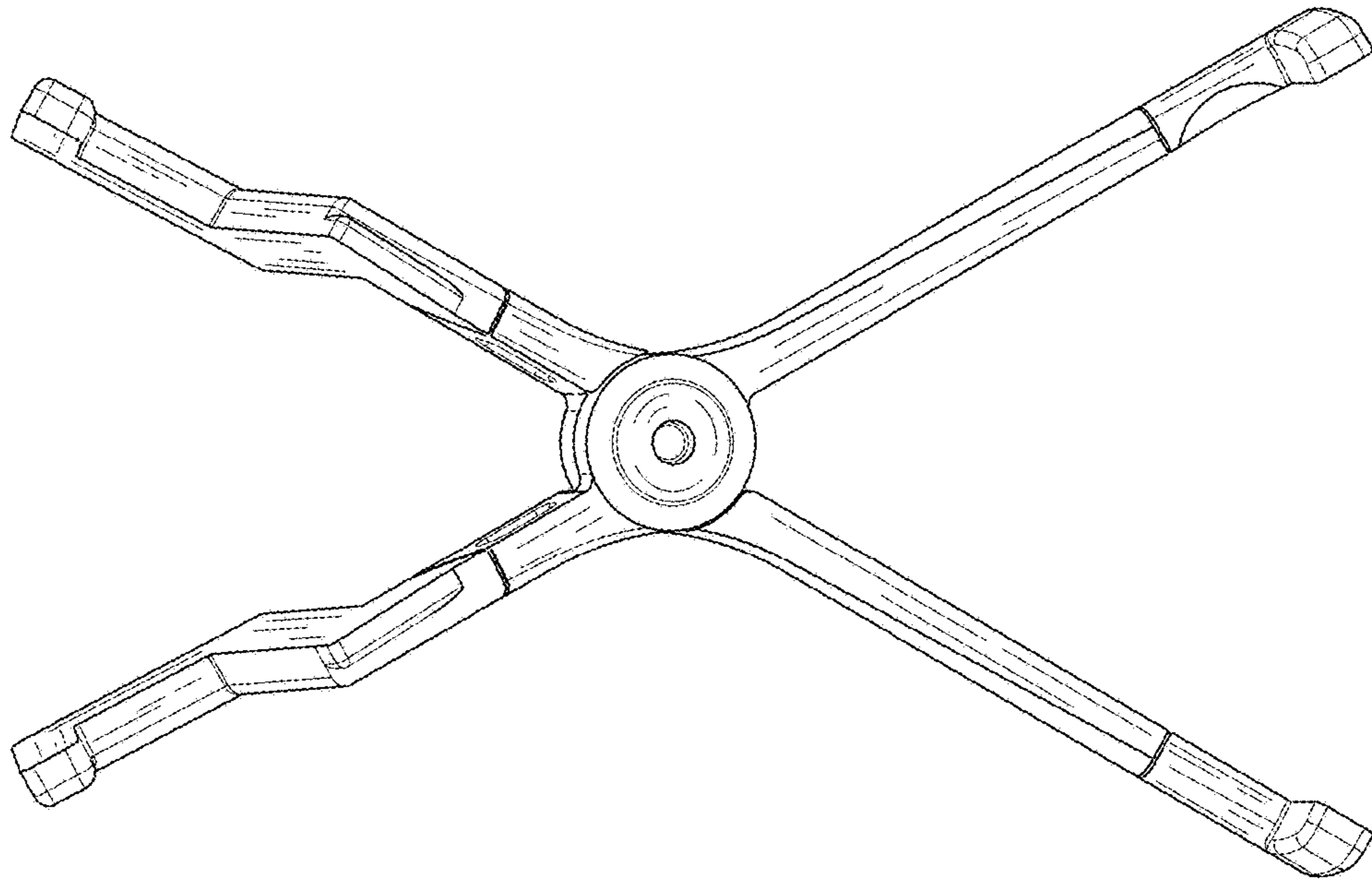


Fig. 6

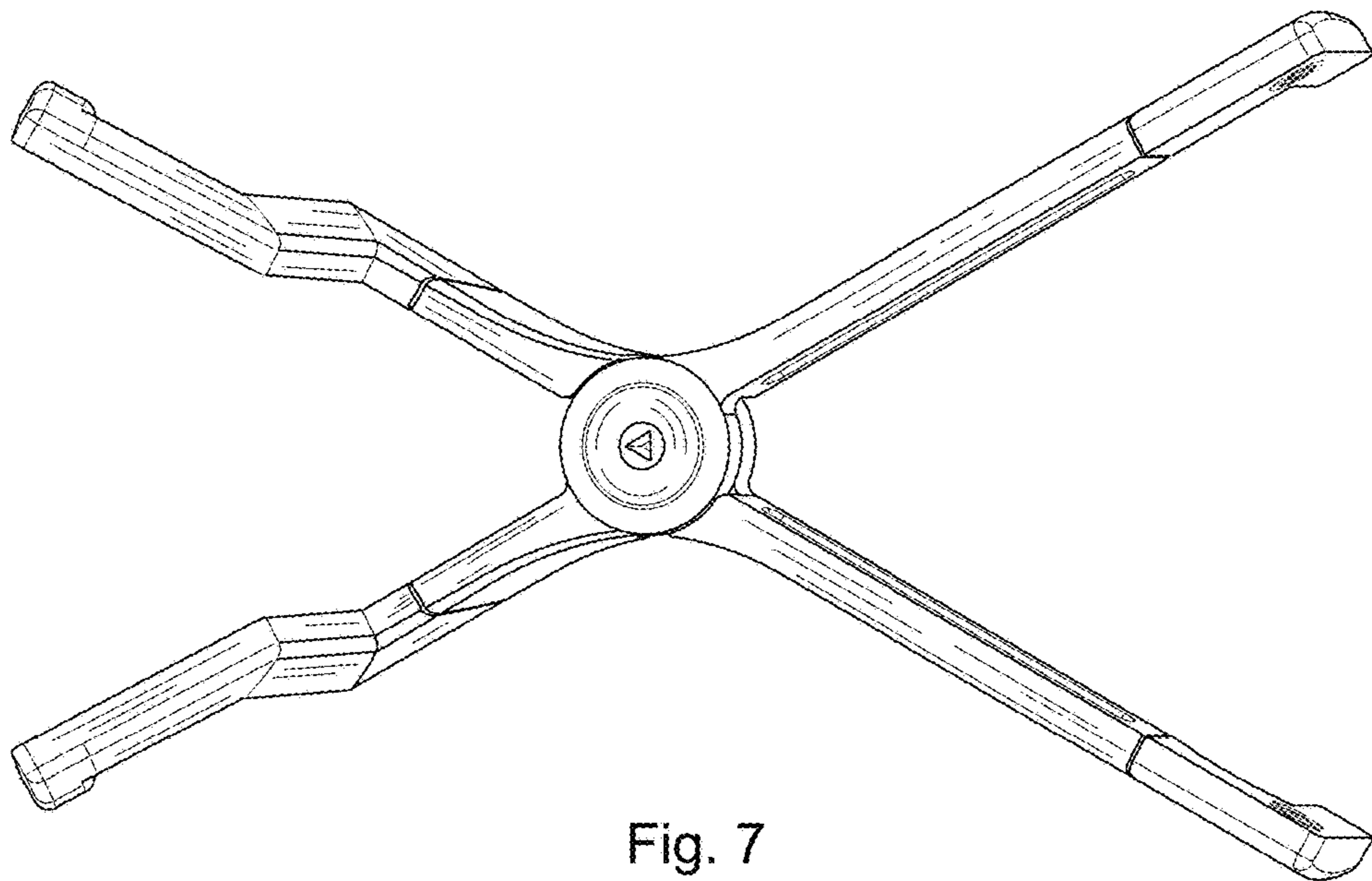


Fig. 7

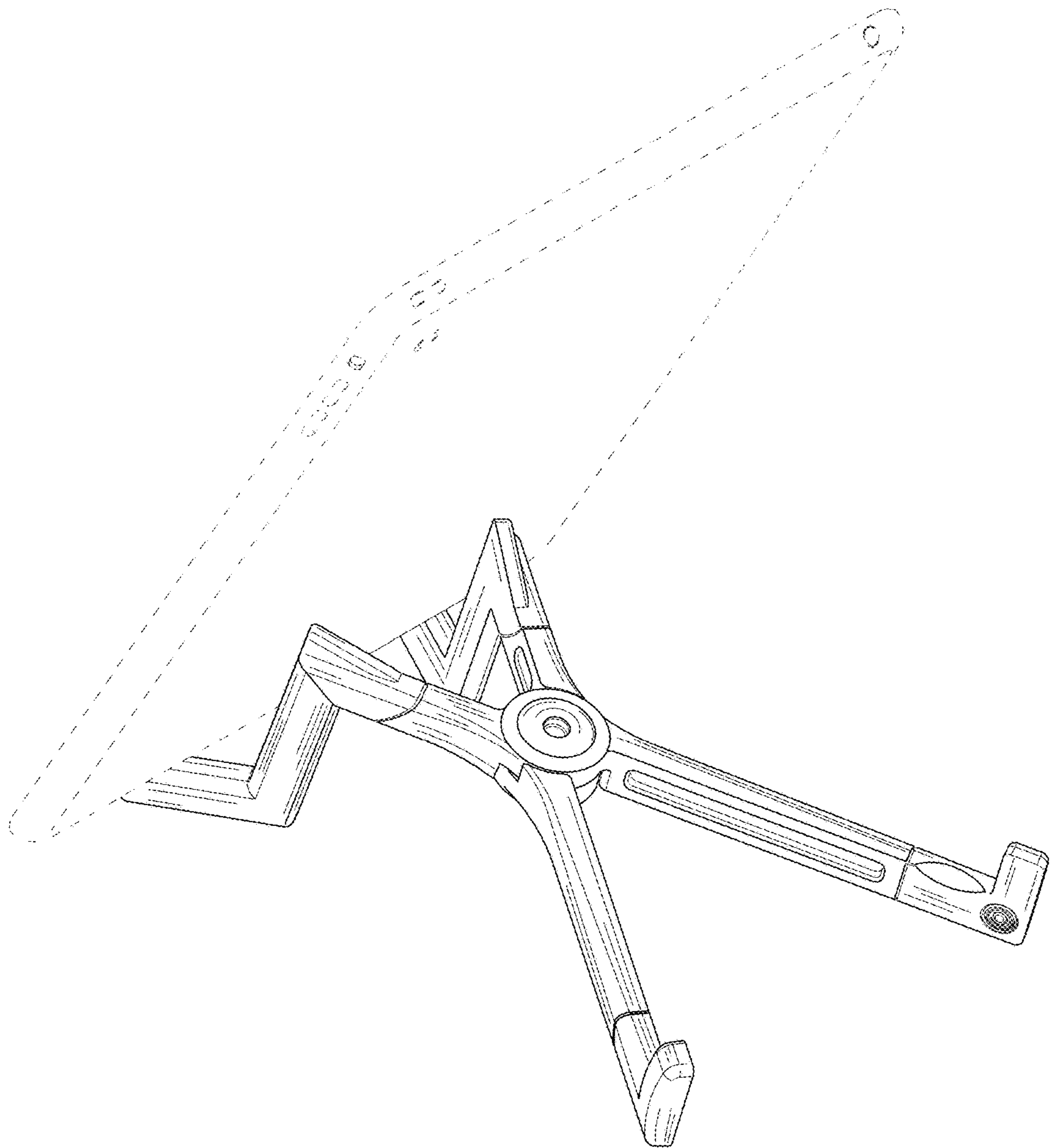


Fig. 8

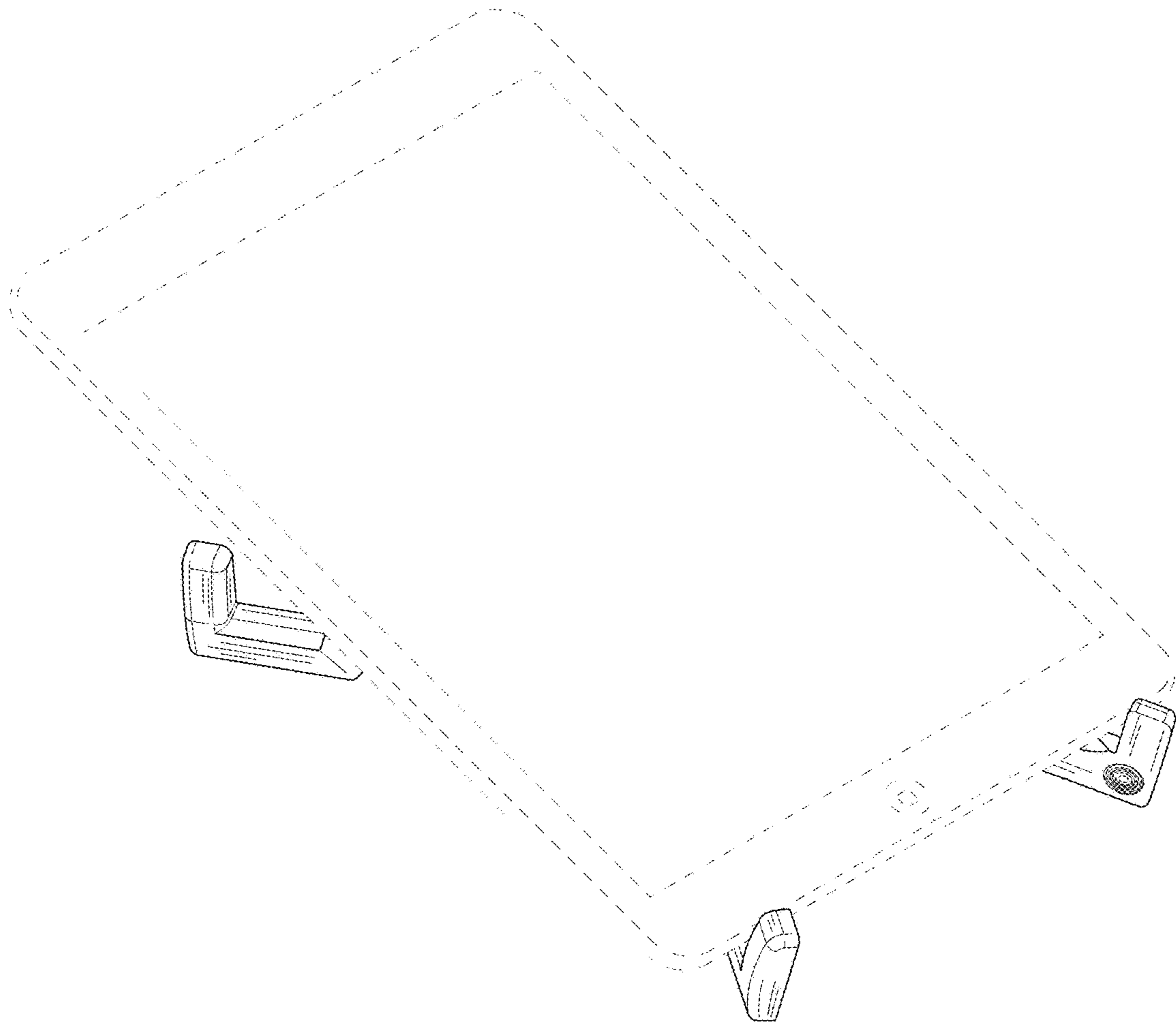


Fig. 9

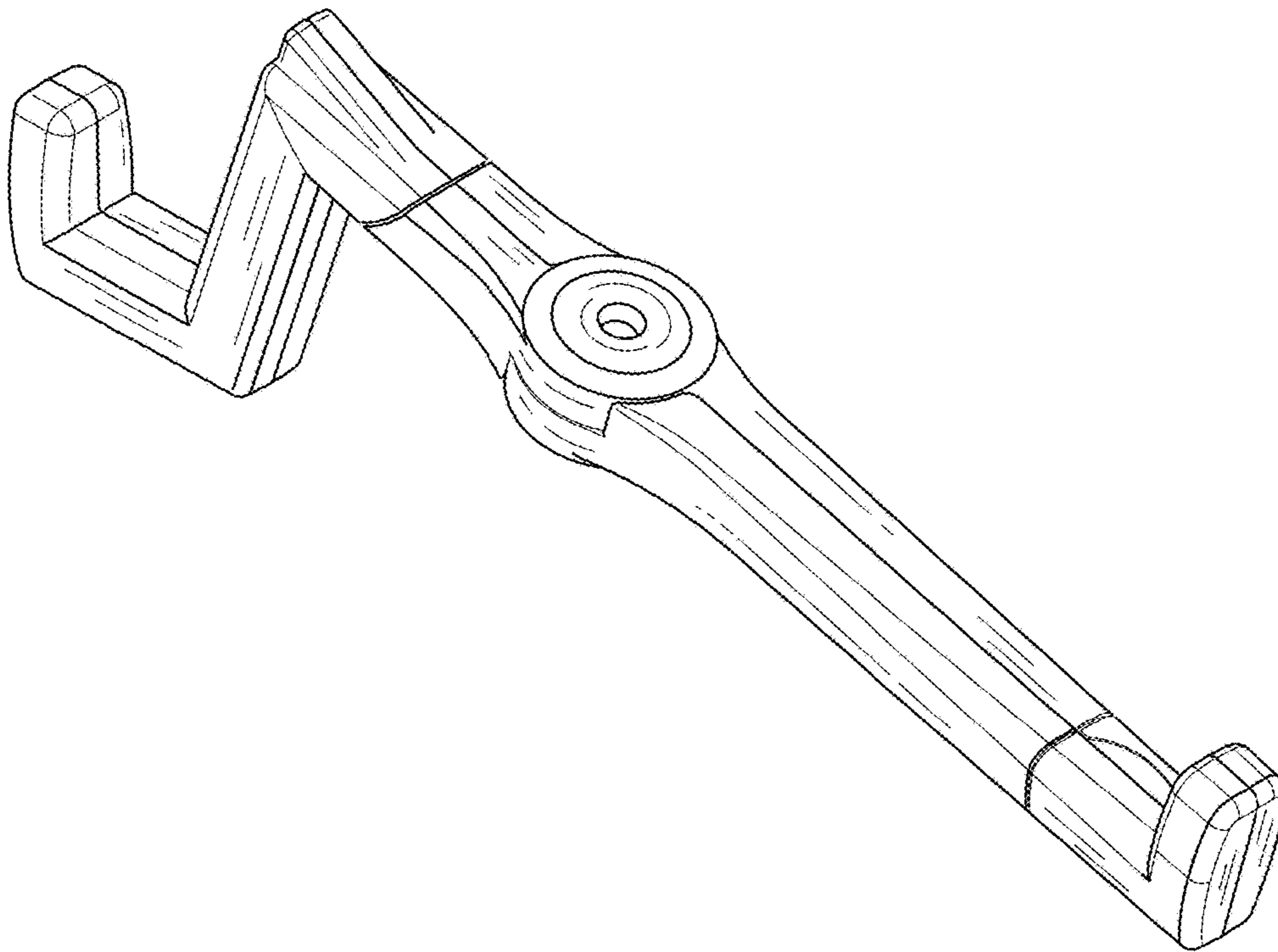


Fig. 10

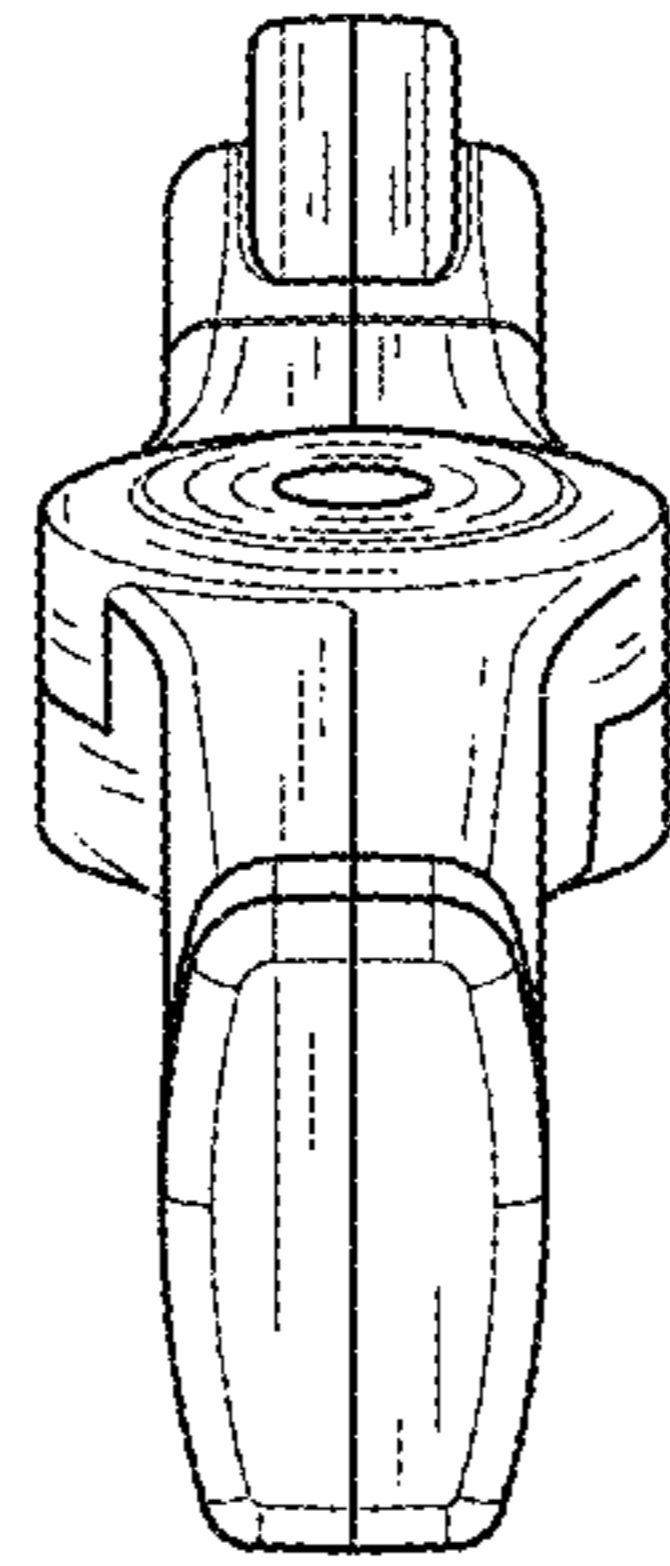


Fig. 11

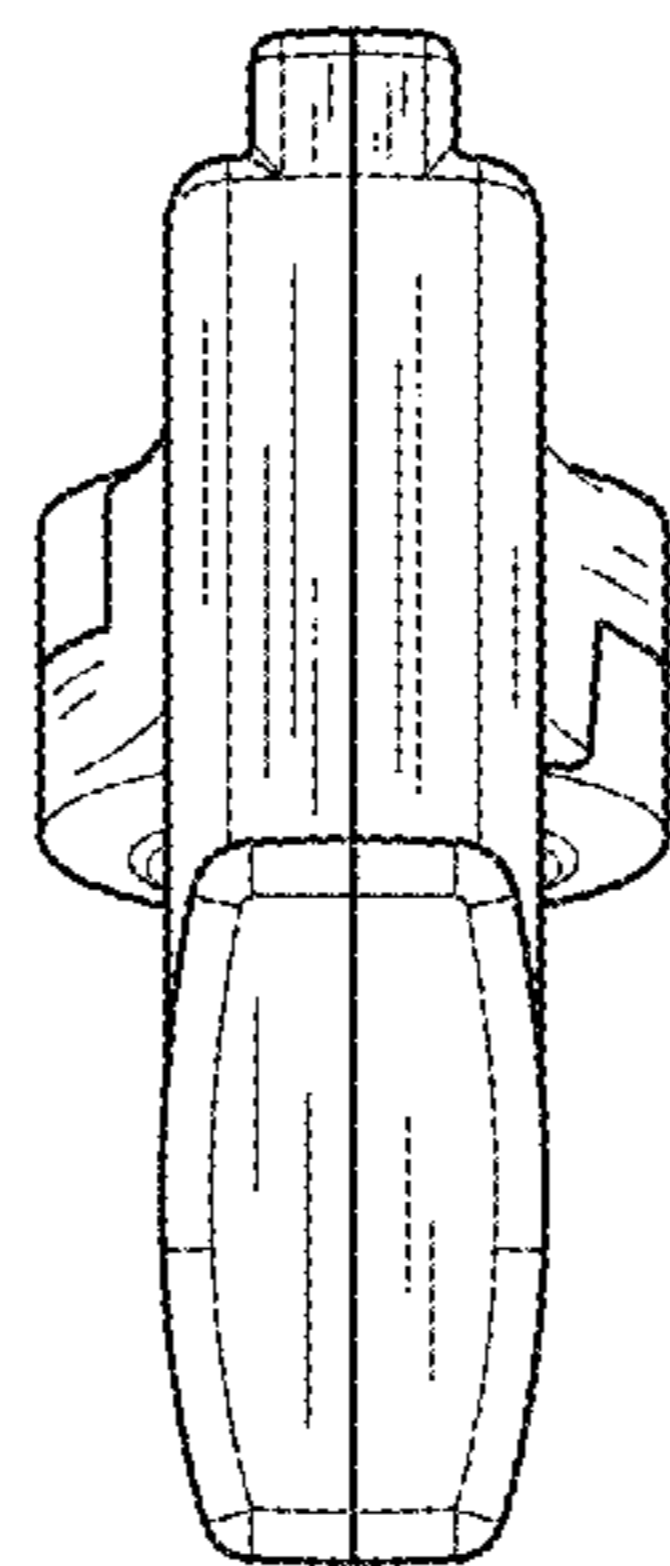


Fig. 12

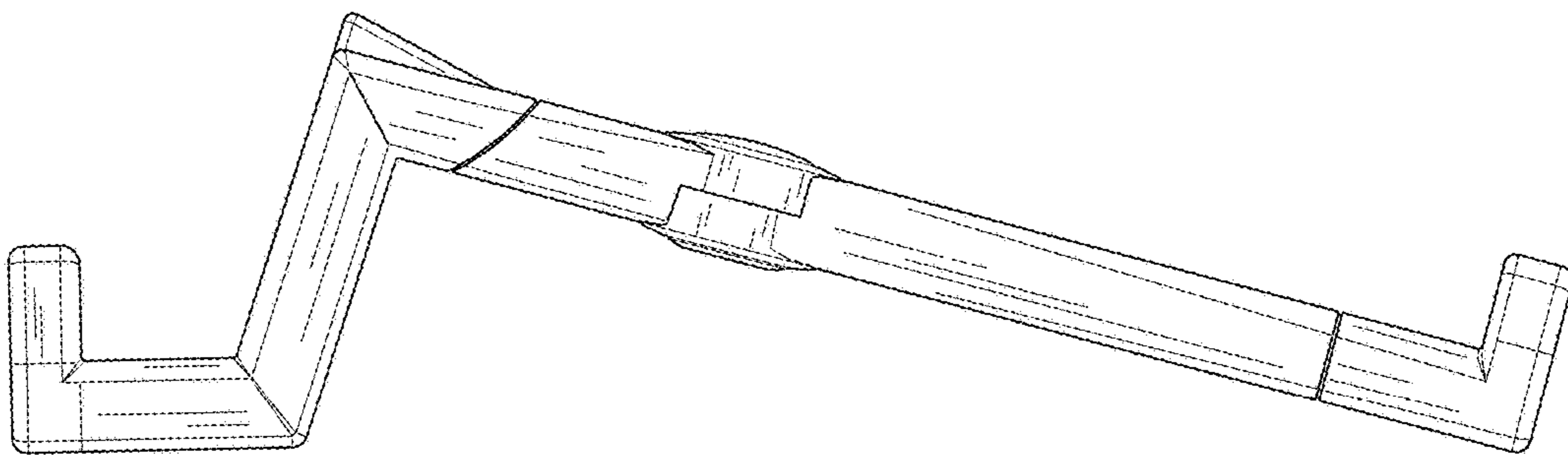


Fig. 13

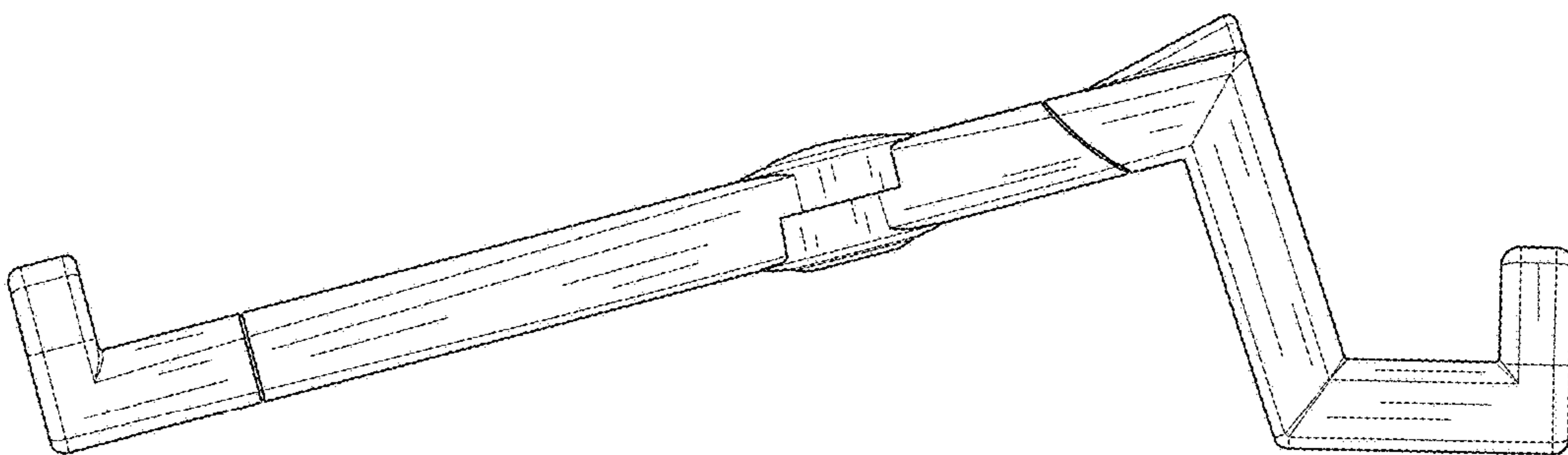


Fig. 14

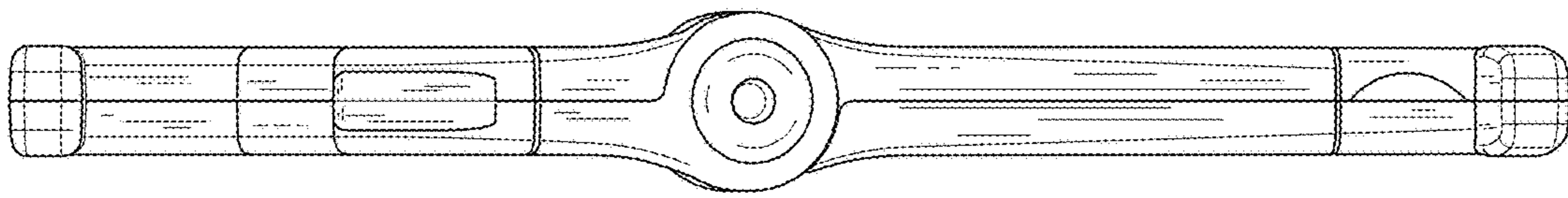


Fig. 15

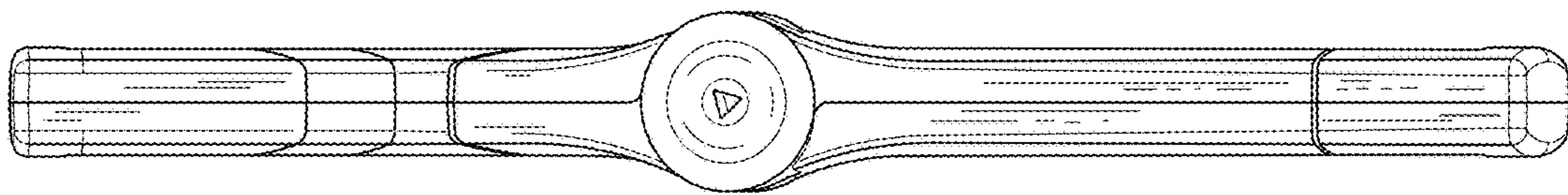


Fig. 16