



US00D827650S

(12) **United States Design Patent** (10) **Patent No.:** **US D827,650 S**
Diebel (45) **Date of Patent:** **** Sep. 4, 2018**

- (54) **COVER FOR ELECTRONIC TABLET**
- (71) Applicant: **Incase Designs Corp.**, Chino, CA (US)
- (72) Inventor: **Markus Diebel**, San Francisco, CA (US)
- (73) Assignee: **Incase Designs Corp.**, Los Angeles, CA (US)
- (**) Term: **15 Years**
- (21) Appl. No.: **29/559,545**
- (22) Filed: **Mar. 29, 2016**

Related U.S. Application Data

- (63) Continuation of application No. 29/469,237, filed on Oct. 8, 2013, now Pat. No. Des. 752,593, which is a (Continued)
- (51) **LOC (11) Cl.** **14-02**
- (52) **U.S. Cl.**
USPC **D14/440**
- (58) **Field of Classification Search**
USPC D14/439, 440, 345, 341-344, 346, 371, D14/125-129, 327, 248; 206/320, 576, 206/305, 215, 232, 524, 425, 472, 224, 206/312, 387.13, 307, 387.1, 756, 206/45.2-45.34, 764, 765; D3/286, 283, D3/295, 273, 303, 247, 215, 245, 232, D3/900, 249, 201, 276, 294, 301, 319, D3/203.1, 323, 227; 224/929; 708/110; 190/109, 100, 119, 901; 361/683, 725, 361/681, 686, 679, 679.01; 229/87.5, 229/67.1, 800; 220/522, 4.23; 345/169, 345/104, 156, 168, 173, 179, 672, 174; 150/147, 135; 402/2, 70-79, 500-502; 281/45, 38, 31, 29, 19.1, 34; D19/3, 26, D19/27, 33, 75, 86, 22, 90, 59, 60, 78, D19/83; D18/7, 17, 18; 383/97, 4, 110; 178/18.03, 18.01; 349/12; 428/332;

D6/632, 407, 596, 601, 310, 611, 502, D6/583, 582, 595; 248/458-460; D13/102, 184; D20/18, 27, 42; 40/654.01, 536; D15/122; D21/480, D21/690; D25/48; D12/401, 182, 203, (Continued)

(56) **References Cited**

U.S. PATENT DOCUMENTS

144,315 A 11/1873 Cooper
640,534 A 1/1900 Cheney
(Continued)

OTHER PUBLICATIONS

Apple Smart Cover Product, Mar. 2, 2011, 36 pages.
(Continued)

Primary Examiner — Susan Moon Lee

(74) *Attorney, Agent, or Firm* — Manatt, Phelps & Phillips, LLP

(57) **CLAIM**

The ornamental design for a cover for electronic tablet, as shown and described.

DESCRIPTION

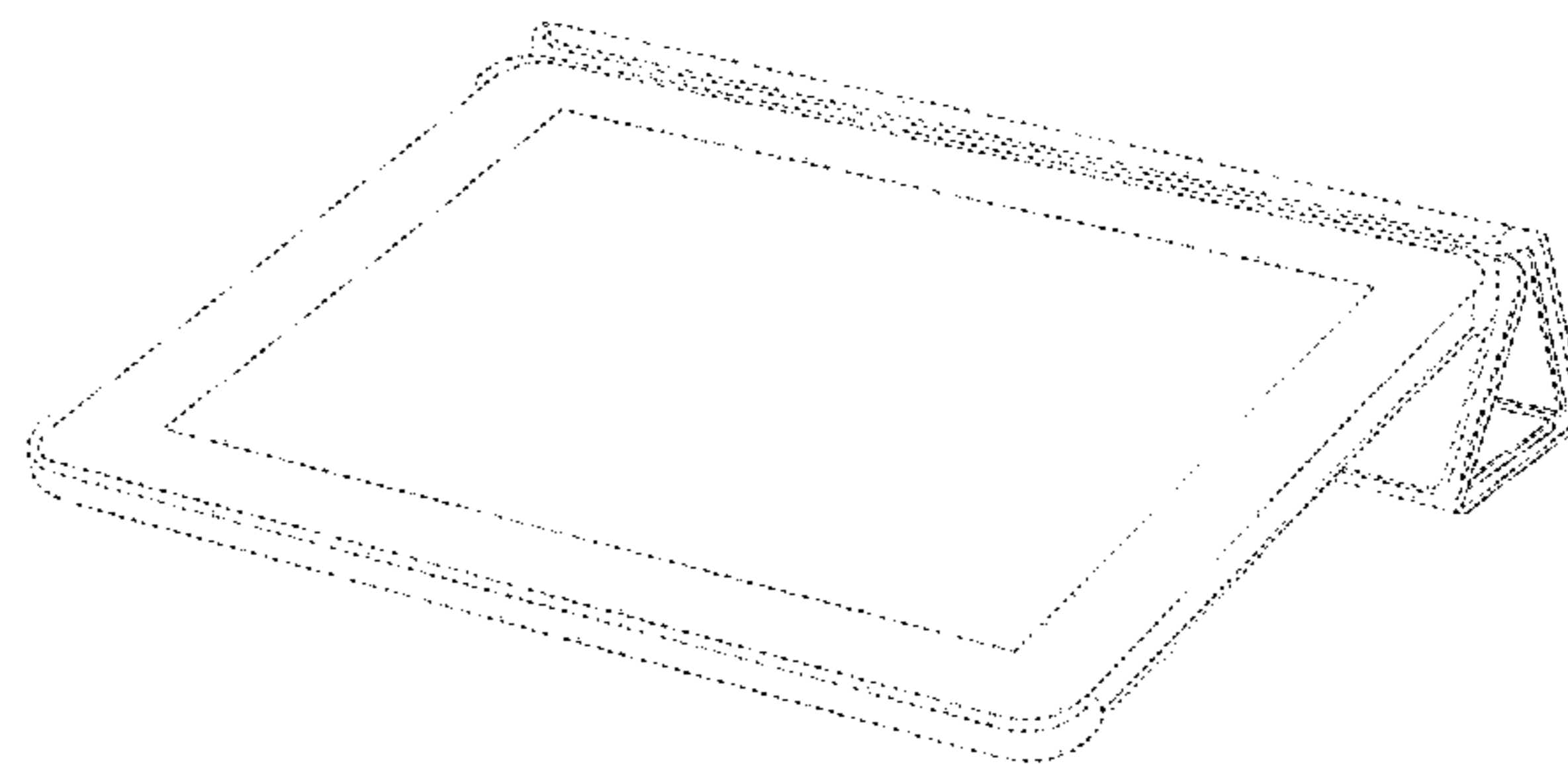
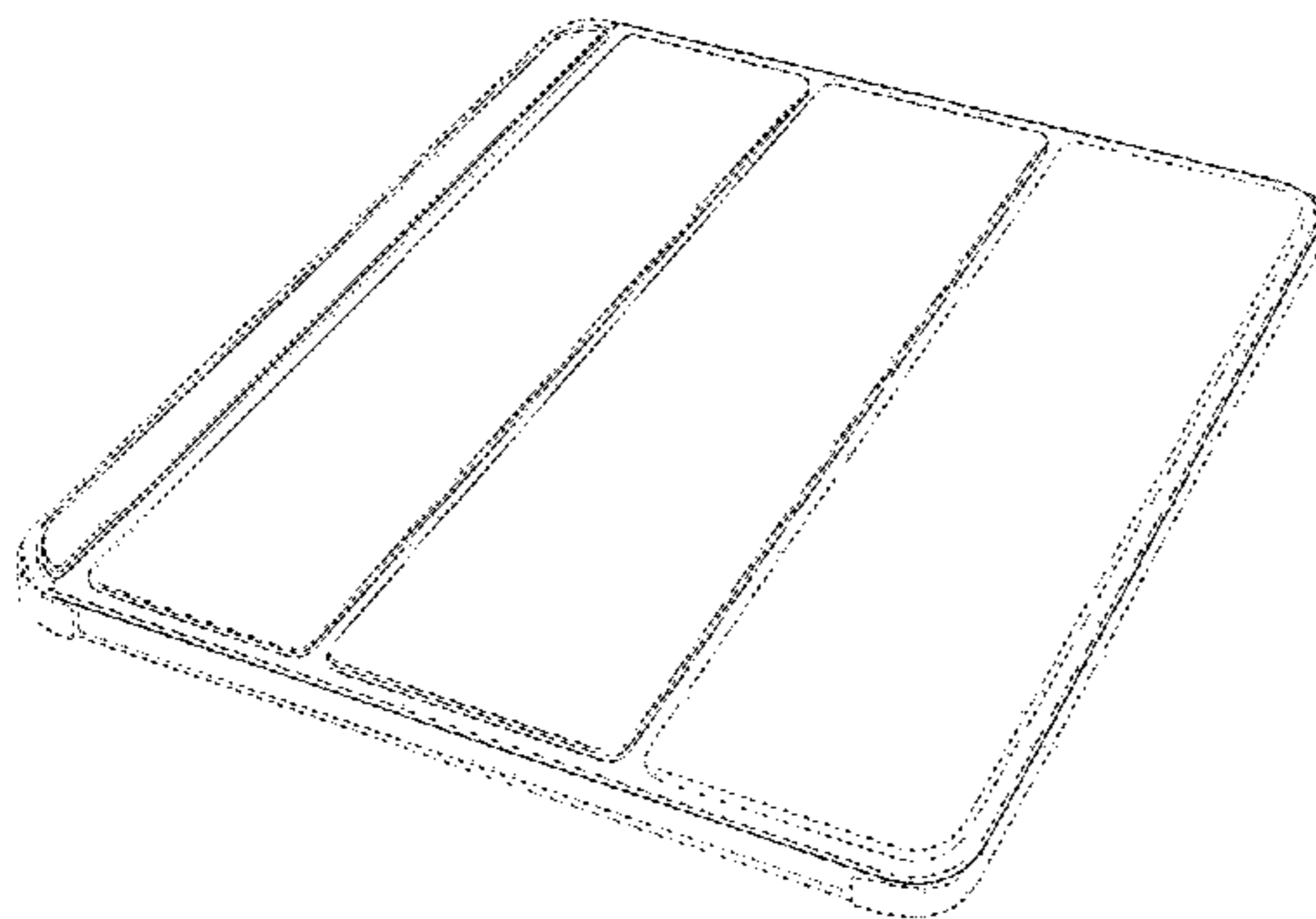
FIG. 1 shows a perspective view of a design for a cover for electronic tablet.

FIG. 2 is a front view thereof; and,

FIG. 3 is a perspective view of the cover for electronic tablet in its folded stand configuration shown in use with an electronic tablet.

The broken-line features in the figures are for illustrative purposes only and form no part of the claimed design. The dot-dash line is used to indicate the boundary of the unclaimed portion.

1 Claim, 3 Drawing Sheets



Related U.S. Application Data

continuation of application No. 29/419,050, filed on Apr. 24, 2012, now Pat. No. Des. 691,142, which is a continuation of application No. 29/387,775, filed on Mar. 17, 2011, now Pat. No. Des. 658,187.

(58) **Field of Classification Search**

USPC D12/400, 191; D24/205, 206, 200, 188, D24/207, 212, 215; 280/808; 112/420; 5/420; 604/308; 601/15, 108, 112, 60, 601/64, 70, 71; 160/370.23, 370.21; D7/629, 392.1; D28/7, 8, 83, 84, 82; 15/118; D32/40; 424/443; 442/123; D23/304; D9/435
 CPC . G06F 1/00; G06F 1/16; G06F 1/1601; G06F 1/1603; G06F 1/1607; G06F 1/1611; G06F 1/1613; G06F 1/1616; G06F 1/1618; G06F 1/162; G06F 1/1622; G06F 1/1626; G06F 1/1632; G06F 1/1637; G06F 1/1628; G06F 2200/1633; A45C 11/00; A45C 13/005; A45C 5/02; A45C 2011/003; A45C 2013/025; A45C 2200/15; Y10T 29/49826; Y10T 29/49002
 See application file for complete search history.

(56) **References Cited**

U.S. PATENT DOCUMENTS

1,347,839 A 7/1920 Coons
 1,356,593 A 10/1920 Bettiker
 1,659,395 A 2/1928 Douglas
 D164,628 S 9/1931 Davis
 1,955,040 A 4/1934 Wittcoff
 D104,699 S 5/1937 Pilliod
 2,165,255 A * 7/1939 Hamilton A47B 23/043
 248/455
 D123,984 S 12/1940 Pichel
 2,279,164 A 4/1942 Gettleman
 D137,864 S 5/1944 Jolles
 2,596,292 A 5/1952 Sackner
 D167,065 S 6/1952 Bohanan
 D167,743 S * 9/1952 Dorfman D24/207
 2,631,046 A 3/1953 Stephens
 2,675,807 A 4/1954 Pursel
 2,738,834 A 3/1956 Jaffe et al.
 2,834,703 A 5/1958 Atkinson
 2,834,970 A 5/1958 Nappe
 2,870,464 A * 1/1959 Lalick A47G 9/0207
 2/69.5
 2,983,431 A 5/1961 Turan
 3,015,834 A 1/1962 Marrinson
 D192,953 S 5/1962 Zelony
 3,061,844 A 11/1962 Coursey
 3,069,203 A 12/1962 Propus
 3,257,128 A 6/1966 Schneider
 3,336,610 A 8/1967 Arthur
 3,427,020 A 2/1969 Montour et al.
 3,459,179 A 8/1969 Olesen
 3,460,744 A 8/1969 Turkenkopf
 3,568,227 A 3/1971 Dunham
 3,587,578 A 6/1971 Walker
 D222,602 S 11/1971 Petrie
 3,735,516 A 5/1973 Wenstrom
 3,758,065 A 9/1973 Ranseen
 3,769,741 A 11/1973 Hessler
 D230,376 S * 2/1974 Andrew D19/91
 3,797,146 A 3/1974 Holes
 D232,825 S * 9/1974 Gerber D12/203
 3,900,035 A 8/1975 Welch et al.
 3,970,332 A 7/1976 Alford, Jr.
 D245,458 S 8/1977 Hauss
 4,044,942 A 8/1977 Sherwood
 D251,082 S * 2/1979 Petrie D19/20

4,197,342 A 4/1980 Bethe
 D255,523 S * 6/1980 Yarabinec D6/596
 D255,524 S * 6/1980 Yarabinec D6/596
 D258,723 S 3/1981 Cornou
 4,310,117 A 1/1982 Gullett
 D268,696 S 4/1983 Bowen
 4,389,742 A 6/1983 DeWitt
 4,433,783 A * 2/1984 Dickinson B65D 77/08
 206/484
 D274,493 S 7/1984 Dyby
 D275,153 S 8/1984 Weinreb
 4,520,958 A 6/1985 Jones
 4,566,720 A 1/1986 Goldman
 D283,231 S 4/1986 Bradenburger
 4,586,506 A 5/1986 Nangle
 4,592,358 A 6/1986 Westplate
 4,607,817 A * 8/1986 Aquino A47B 23/044
 206/214
 4,621,729 A 11/1986 Jackson
 4,629,070 A 12/1986 Roberg
 4,630,863 A 12/1986 Roberts
 4,643,544 A 2/1987 Loughran
 D290,654 S 6/1987 Ohnishi
 4,671,334 A 6/1987 Yadegar
 D290,918 S 7/1987 Ball
 4,679,848 A 7/1987 Spierings
 4,693,495 A * 9/1987 LaPointe B60R 22/00
 280/808
 D293,428 S * 12/1987 Watts D12/191
 D296,006 S * 5/1988 Asche D24/189
 D297,228 S * 8/1988 Harpaz D12/183
 4,787,766 A 11/1988 Lorsch
 4,824,171 A 4/1989 Hollingsworth
 4,854,319 A 8/1989 Tobin
 4,877,074 A 10/1989 Castellano
 4,880,327 A 11/1989 Sanabria
 D306,850 S 3/1990 Beedy
 D308,760 S 6/1990 King
 D310,987 S 10/1990 Law
 D311,688 S * 10/1990 Hodge D9/435
 D312,130 S 11/1990 Jones
 D312,214 S 11/1990 Hodge
 4,969,683 A 11/1990 Wallace
 D312,835 S 12/1990 Holm
 D313,964 S 1/1991 Fuller
 4,981,386 A 1/1991 Beleckis
 5,000,319 A 3/1991 Mermelstein
 5,005,374 A 4/1991 Spitler
 D317,329 S 6/1991 Annand
 D318,372 S 7/1991 Mackey
 D319,016 S 8/1991 Kahl
 D320,274 S 9/1991 Douglas
 5,044,030 A 9/1991 Balaton
 D321,091 S 10/1991 Dickinson
 D321,761 S 11/1991 Shimizu
 5,066,158 A 11/1991 Huang
 5,080,316 A 1/1992 MacEwan
 5,092,354 A 3/1992 Pacelli, Jr.
 D325,637 S 4/1992 O'Brien
 D327,046 S 6/1992 Eskandry et al.
 D329,747 S 9/1992 Embree
 5,143,341 A 9/1992 Juster
 D331,191 S 11/1992 Ventola
 5,179,944 A 1/1993 McSymytz
 5,228,655 A 7/1993 Garcia
 D341,373 S 11/1993 Stern
 D342,790 S 12/1993 Zona
 D344,590 S 2/1994 Greene
 D345,014 S 3/1994 Huffman
 5,333,336 A 8/1994 Langsam
 5,337,985 A * 8/1994 Hale F16M 11/10
 248/146
 D352,357 S 11/1994 Ashley
 5,377,794 A 1/1995 Book
 D356,120 S 3/1995 Allen
 5,431,449 A 7/1995 Arimoto
 D360,778 S 8/1995 Apt, III et al.
 5,439,101 A 8/1995 Brink et al.
 D362,578 S 9/1995 Ackley

(56)

References Cited

U.S. PATENT DOCUMENTS

5,450,858 A	9/1995	Zablotsky		D550,137 S	9/2007	Kraines	
D364,191 S	11/1995	Allen		D551,265 S	9/2007	Brinson	
5,480,192 A	1/1996	Angerbauer		D553,410 S	10/2007	Kramer	
5,487,566 A	1/1996	Hedge, Jr.		7,318,521 B2	1/2008	Lau	
D369,998 S	5/1996	Eskandry		7,322,063 B2	1/2008	Esimai	
D370,177 S	5/1996	Bankier		D560,947 S	2/2008	Kreucher	
D370,650 S	6/1996	Eskandry		D564,223 S	3/2008	Messineo	
D371,929 S	7/1996	Nilsson		D565,196 S	3/2008	Mock	
5,566,871 A	10/1996	Weintraub		D566,111 S	4/2008	Nakagawa	
5,653,195 A	8/1997	Young		D572,709 S	7/2008	Nakagawa	
D383,213 S	9/1997	Ingram		D574,962 S	8/2008	Atkins	
D389,509 S	1/1998	Yasoshima		7,435,103 B2	10/2008	Ma	
D389,646 S	1/1998	Sankey		D581,857 S	12/2008	Bogard	
D390,007 S	2/1998	Ahern, Jr.		D581,859 S	12/2008	Bogard	
D391,298 S	2/1998	Johnson		D581,865 S	12/2008	Koza	
5,722,628 A *	3/1998	Menaged	A47B 23/043 211/50	D582,047 S	12/2008	Yim	
D405,200 S	2/1999	Hines		D582,475 S	12/2008	Guest	
D406,463 S	3/1999	Rutledge		D583,479 S	12/2008	Yim	
5,887,723 A	3/1999	Myles et al.		D583,959 S	12/2008	Yim	
5,902,256 A	5/1999	Benaron		D584,141 S	1/2009	Smith	
D411,353 S	6/1999	Dickinson		D584,612 S	1/2009	Ianello	
5,911,657 A	6/1999	Meiners		D584,911 S	1/2009	Hisey	
5,996,778 A	12/1999	Shih		D587,797 S	3/2009	Blanchard	
D418,867 S	1/2000	Platte, III		D587,812 S	3/2009	Uchiyama	
6,058,535 A	5/2000	Firkins, Jr.		D592,402 S	5/2009	Ahlgrim	
6,058,536 A	5/2000	Henry		7,537,192 B2	5/2009	Al-Haleem	
6,122,785 A	9/2000	Bondie		D596,305 S *	7/2009	Usui	D24/206
D432,477 S	10/2000	Gorodetsky		D597,302 S *	8/2009	Adams	D3/227
6,145,661 A *	11/2000	Jung	A45C 13/02 190/102	D599,286 S	9/2009	Horito	
D435,171 S	12/2000	Anderson		D599,484 S	9/2009	Gray	
D436,179 S	1/2001	Small		D599,761 S	9/2009	Birsel	
D442,321 S	5/2001	Cheng		D599,959 S	9/2009	Washington	
D445,744 S	7/2001	Hsing		D600,699 S	9/2009	Johnston et al.	
D446,982 S	8/2001	Block		7,584,841 B2	9/2009	Chan et al.	
6,289,968 B1	9/2001	Karten		D601,369 S	10/2009	Mock	
D449,927 S	11/2001	Dorizas		D602,598 S *	10/2009	Yim	D24/206
6,388,872 B1 *	5/2002	Liao	G06F 1/1616 312/223.2	D603,906 S	11/2009	Miller	
6,427,371 B2	8/2002	Olson		D604,463 S	11/2009	Pittman	
6,493,969 B2	12/2002	Devos		D604,727 S	11/2009	Chu	
D468,868 S	1/2003	Thorpe		D605,940 S	12/2009	Lin	
6,527,330 B1	3/2003	Steffens		D606,119 S	12/2009	Miller	
D473,939 S	4/2003	Hantke		D606,120 S	12/2009	Miller	
D473,940 S	4/2003	Hantke		D606,121 S	12/2009	Miller	
6,539,653 B1	4/2003	Finke		D607,253 S	1/2010	McCammon	
6,543,949 B1 *	4/2003	Ritchey	A47B 21/0314 400/691	7,643,274 B2	1/2010	Bekele	
6,568,005 B2	5/2003	Fleming		D609,358 S	2/2010	Vim	
D480,971 S	10/2003	Deluca		D609,360 S	2/2010	Yim	
6,634,691 B2	10/2003	Henderson		D609,912 S	2/2010	Kyono	
D484,736 S	1/2004	Sarnoff		D613,062 S	4/2010	Romero	
D487,521 S	3/2004	Link		D613,982 S	4/2010	Wilson	
D487,551 S	3/2004	Lee		D616,930 S	6/2010	Engel	
6,702,359 B2	3/2004	Armstrong		7,735,644 B2	6/2010	Sirichai et al.	
6,763,942 B1	7/2004	Yeh		D620,122 S	7/2010	Cotton	
D494,469 S	8/2004	Solowiejko		D620,877 S	8/2010	Rusher	
6,772,879 B1	8/2004	Domotor		D622,061 S	8/2010	Higginson	
D496,322 S	9/2004	Farney		D623,940 S	9/2010	Ianello	
D498,308 S	11/2004	Mock		D624,615 S	9/2010	Kusmierz	
6,829,140 B2	12/2004	Shimano		7,799,063 B2	9/2010	Ingram	
D505,041 S	5/2005	Lesosky		D627,078 S *	11/2010	Matsuo	D24/206
D511,838 S	11/2005	Vedra		D627,117 S	11/2010	Hale	
D521,553 S	5/2006	Sterman		D627,775 S	11/2010	Li	
7,036,162 B1	5/2006	Gatten		D628,004 S	11/2010	Moorefield	
7,037,021 B2	5/2006	Raschke		D628,132 S	11/2010	Grzyb	
7,038,909 B1	5/2006	Chen		D628,197 S	11/2010	Li	
7,065,814 B2	6/2006	Rutkowski		D628,705 S *	12/2010	Usui	D24/206
D527,535 S	9/2006	Sturba		D628,706 S	12/2010	Usui	
D528,707 S	9/2006	Deioma		D629,195 S	12/2010	Jusic	
D538,096 S	3/2007	Bartell		D629,914 S	12/2010	Hunter	
D538,575 S	3/2007	Bartell		D631,912 S	2/2011	Epstein	
D544,922 S	6/2007	Shaffer		D632,660 S	2/2011	Donowho	
D548,782 S	8/2007	Nash		D633,388 S	3/2011	Andre	
				D633,673 S	3/2011	McKnight	
				D633,879 S	3/2011	Heng	
				D635,135 S	3/2011	Li	
				D635,564 S *	4/2011	Li	D14/315
				D637,399 S	5/2011	Romero	
				D638,526 S *	5/2011	Newman	D23/303
				D638,627 S	5/2011	Romero	
				D640,089 S	6/2011	Green	

(56)

References Cited

U.S. PATENT DOCUMENTS

D640,534 S	6/2011	Austro		D693,822 S	11/2013	Bates	
D641,720 S	7/2011	Heng		D693,823 S	11/2013	Chen	
7,980,526 B2	7/2011	Lord		D694,245 S	11/2013	Sanz	
8,042,241 B2	10/2011	McConnell		D694,523 S	12/2013	Chiang	
D557,347 S	12/2011	Nishimoto		D695,296 S	12/2013	Hsu	
8,070,220 B2	12/2011	Raeb		D696,253 S	12/2013	Akana	
D656,235 S	3/2012	Howell		D696,254 S	12/2013	Groene	
8,138,869 B1	3/2012	Lauder		D696,256 S	12/2013	Piedra	
8,143,982 B1	3/2012	Lauder		D696,262 S	12/2013	Groene	
D657,832 S	4/2012	Beber		D696,669 S	12/2013	Akana	
D658,186 S	4/2012	Akana		D696,865 S	1/2014	Morszeck	
D658,187 S	4/2012	Diebel		D697,512 S	1/2014	Akana	
D658,188 S	4/2012	Diebel		D699,054 S	2/2014	Forlin	
D662,100 S *	6/2012	Van Den Nieuwenhuizen	D14/440	D699,244 S	2/2014	Buckley	
				D700,611 S	3/2014	Boldetti	
D663,304 S	7/2012	Akana		D701,205 S *	3/2014	Akana	D14/341
8,245,843 B1 *	8/2012	Wu	H01M 10/465 150/165	D701,210 S	3/2014	Bates	
				D701,488 S	3/2014	Lim	
8,253,518 B2	8/2012	Lauder		D703,209 S	4/2014	Marcus	
8,282,065 B1	10/2012	Stone		8,695,150 B1	4/2014	Cooper	
D671,114 S *	11/2012	Akana	D14/250	D704,702 S *	5/2014	Akana	D14/341
D671,886 S	12/2012	Schacht		D705,227 S	5/2014	Groene	
D671,948 S	12/2012	Akana		D705,783 S	5/2014	Weng	
D672,353 S	12/2012	Liu		8,720,843 B1	5/2014	Chen	
D672,781 S	12/2012	Lu		8,724,300 B2	5/2014	Smith	
D673,158 S	12/2012	Yang		D706,270 S	6/2014	Akana	
8,344,836 B2	1/2013	Lauder		D707,229 S	6/2014	Almodova	
D675,626 S	2/2013	Williamson		D707,683 S	6/2014	Nam-Su	
D676,050 S	2/2013	Sanz		8,761,660 B2	6/2014	Libin	
D678,260 S *	3/2013	Bau	D14/132	D708,836 S	7/2014	Lee	
D678,272 S	3/2013	Groene		D708,839 S	7/2014	Lee	
D678,300 S	3/2013	Groene		D709,895 S	7/2014	Son	
D678,881 S	3/2013	Groene		8,763,795 B1	7/2014	Oten	
D678,882 S	3/2013	Groene		D710,859 S	8/2014	Mecchella	
D679,279 S	4/2013	Yang		D711,887 S	8/2014	Akana	
D679,715 S *	4/2013	Akana	D14/440	8,807,333 B1	8/2014	Cooper	
D681,033 S	4/2013	Chen		D713,048 S	9/2014	Ogaki	
D681,041 S	4/2013	Phillips		D713,402 S	9/2014	Akana	
D681,641 S *	5/2013	Van Den Nieuwenhuizen	D14/440	D713,847 S	9/2014	Su	
				D713,848 S	9/2014	Akana	
D682,803 S	5/2013	Akana		8,824,136 B1	9/2014	Interian, III	
D682,836 S *	5/2013	Akana	D14/440	D716,311 S	10/2014	Bates	
D682,838 S *	5/2013	Akana	D14/440	D716,783 S	11/2014	Loncar	
D682,839 S	5/2013	Sampson		D717,743 S *	11/2014	Larkin	D13/164
D683,040 S *	5/2013	Arsenault	D24/206	D718,086 S	11/2014	Lewis	
D683,731 S *	6/2013	Chiu	D14/345	D718,213 S	11/2014	Shipman	
D685,381 S *	7/2013	Symons	D14/447	D718,214 S	11/2014	Shipman	
D685,803 S *	7/2013	Akana	D14/440	D718,215 S	11/2014	Shipman	
D685,916 S *	7/2013	Hoglund	D24/206	D718,216 S	11/2014	Shipman	
D686,627 S *	7/2013	Akana	D14/440	8,884,730 B2	11/2014	Lauder	
8,474,609 B1 *	7/2013	Hong	A45C 11/00 206/320	D718,768 S	12/2014	Page	
				D719,169 S	12/2014	McBroom	
D687,438 S *	8/2013	Lu	D14/440	D719,956 S	12/2014	Akana	
D688,251 S *	8/2013	Akana	D14/440	D720,355 S	12/2014	Akana	
D688,669 S	8/2013	Akana		D720,733 S	1/2015	Fathollahi	
D689,498 S *	9/2013	Akana	D14/440	D720,747 S	1/2015	Kim	
D689,501 S	9/2013	Fong		D720,748 S	1/2015	Groene	
D690,305 S	9/2013	Wen		D720,756 S	1/2015	Stavrakakis	
8,538,479 B2 *	9/2013	Lee	H04M 1/0277 29/601	D721,080 S	1/2015	Mecchella	
				D721,081 S	1/2015	Hirst	
D690,702 S	10/2013	Chung		D721,370 S	1/2015	Barfoot	
D691,123 S	10/2013	Lay		8,928,437 B2	1/2015	Lauder	
D691,142 S	10/2013	Diebel		D722,059 S	2/2015	Hirst	
D691,143 S	10/2013	Diebel		D723,037 S	2/2015	Huang	
D691,145 S	10/2013	Nam-Su		D723,040 S	2/2015	Kang	
D691,611 S	10/2013	Kirzinger		D723,041 S	2/2015	Kim	
D691,805 S	10/2013	Chang		8,960,421 B1	2/2015	Diebel	
D692,237 S	10/2013	Chang		D723,568 S	3/2015	Kim	
D692,432 S	10/2013	Liu		D723,569 S	3/2015	Peng	
D692,433 S	10/2013	Akana		D724,090 S	3/2015	Kim	
D692,434 S	10/2013	Kim		D724,594 S	3/2015	Venida	
8,567,578 B2	10/2013	Cuong		D725,116 S	3/2015	Li	
D692,902 S	11/2013	Groene		D725,118 S	3/2015	Hong	
D693,821 S	11/2013	Bates		D725,659 S	3/2015	Tussy	
				D726,191 S	4/2015	Tseng	
				D726,192 S	4/2015	Massucco	
				D726,193 S	4/2015	Kim	
				D726,730 S	4/2015	Mahmood	
				D726,731 S	4/2015	Kim	

(56)

References Cited

U.S. PATENT DOCUMENTS

			2009/0017883	A1	1/2009	Lin	
			2009/0090709	A1*	4/2009	Shalomoff	B65D 11/1833 220/6
			2009/0159763	A1	6/2009	Kim	
			2009/0194209	A1	8/2009	De Filippis et al.	
			2010/0122924	A1	5/2010	Andrews	
			2010/0294909	A1	11/2010	Hauser et al.	
			2011/0163642	A1	7/2011	Rohrbach	
			2011/0227463	A1	9/2011	Hou	
			2011/0266194	A1	11/2011	Bau	
			2011/0290687	A1	12/2011	Han	
			2011/0297566	A1	12/2011	Gallagher	
			2011/0297581	A1	12/2011	Angel	
			2012/0037285	A1	2/2012	Diebel	
			2012/0043234	A1	2/2012	Westrup	
			2012/0044638	A1	2/2012	Mongan	
			2012/0068919	A1	3/2012	Lauder	
			2012/0069540	A1*	3/2012	Lauder	G06F 1/1626 361/807
			2012/0088557	A1	4/2012	Liang	
			2012/0125809	A1	5/2012	Leung	
			2012/0138494	A1	6/2012	Thomas	
			2012/0140396	A1*	6/2012	Zeliff	G06F 1/1628 361/679.09
			2012/0181195	A1	7/2012	Lu	
			2012/0194448	A1	8/2012	Rothkpof	
			2012/0205277	A1	8/2012	Chang	
			2012/0211377	A1*	8/2012	Sajid	G06F 1/1628 206/216
			2012/0268891	A1*	10/2012	Cencioni	G06F 1/1626 361/679.55
			2012/0268894	A1	10/2012	Cencioni	
			2012/0287565	A1	11/2012	Bennett, Jr.	
			2012/0293953	A1	11/2012	Wu	
			2012/0305413	A1	12/2012	Chung	
			2012/0308981	A1*	12/2012	Libin	G09B 3/00 434/362
			2012/0325689	A1	12/2012	Wibby	
			2012/0325838	A1	12/2012	Huang	
			2013/0016467	A1	1/2013	Ku	
			2013/0020216	A1	1/2013	Chiou	
			2013/0043148	A1	2/2013	Chen	
			2013/0048517	A1	2/2013	Mecchella	
			2013/0048520	A1	2/2013	Garrett	
			2013/0058065	A1	3/2013	Minaguchi	
			2013/0075280	A1	3/2013	Besner	
			2013/0076614	A1*	3/2013	Ive	G06F 1/1677 345/156
			2013/0083465	A1	4/2013	Motoishi	
			2013/0088431	A1	4/2013	Ballagas	
			2013/0093304	A1*	4/2013	Childs	A45C 11/00 312/240
			2013/0099636	A1*	4/2013	Igarashi	H05K 5/03 312/223.1
			2013/0127308	A1	5/2013	Yang	
			2013/0134061	A1*	5/2013	Wu	G06F 1/1626 206/320
			2013/0140194	A1*	6/2013	Han	G06F 1/1656 206/45.23
			2013/0140203	A1*	6/2013	Chiang	G06F 1/1628 206/320
			2013/0146482	A1*	6/2013	Huang	A47B 23/043 206/45.23
			2013/0199960	A1*	8/2013	Chen	G06F 1/1628 206/521
			2013/0233732	A1	9/2013	Hsu	
			2013/0233762	A1*	9/2013	Balaji	B65D 25/00 206/736
			2013/0241381	A1*	9/2013	Hynecek	H05K 5/0217 312/240
			2013/0242490	A1	9/2013	Ku	
			2013/0258586	A1	10/2013	Shao	
			2013/0271373	A1*	10/2013	Milhe	G06F 1/1671 345/168
			2013/0277271	A1	10/2013	Toulotte	
			2013/0279100	A1	10/2013	Fontana	
			2013/0284613	A1	10/2013	Lee	
			2013/0284614	A1	10/2013	Lee	
D727,915	S	4/2015	Mecchella				
D727,916	S	4/2015	Melman				
D727,919	S	4/2015	Melman				
D728,579	S	5/2015	Mecchella				
D729,253	S	5/2015	Nyholm				
D729,810	S	5/2015	Klusener				
D730,362	S	5/2015	Akana				
D730,913	S	6/2015	Shao				
D731,485	S	6/2015	Kim				
D731,486	S	6/2015	Kim				
D731,494	S	6/2015	Barfoot				
D731,495	S	6/2015	Hassett				
D732,044	S	6/2015	Longo				
D732,542	S	6/2015	Hassett				
D733,073	S*	6/2015	Larkin	D13/164			
D733,150	S	6/2015	Sirichai				
D733,151	S	6/2015	Brierley				
D733,152	S	6/2015	Sirichai				
D733,153	S	6/2015	Longo				
D733,154	S	6/2015	Armstrong				
9,049,911	B1	6/2015	Wood				
D734,340	S	7/2015	Kim				
D734,760	S	7/2015	Brunner				
D734,761	S	7/2015	Ballou				
D735,205	S	7/2015	Akana				
9,086,844	B2	7/2015	Blue				
D737,276	S	8/2015	Armstrong				
9,095,194	B2	8/2015	Hassett				
9,110,630	B2	8/2015	Cakir				
D737,827	S	9/2015	Tseng				
D724,095	S	10/2015	Kim				
D740,292	S	10/2015	Akana				
D740,882	S	10/2015	Poon				
D741,867	S	10/2015	Liu				
9,266,641	B2*	2/2016	Quehl	A45C 11/00			
D750,632	S*	3/2016	Diebel	D14/440			
9,285,839	B1*	3/2016	Cudak	G06F 1/1677			
9,315,004	B2*	4/2016	Balaji	B32B 37/12			
D757,280	S*	5/2016	Ogaki	D24/200			
D759,313	S*	6/2016	McCarthy	D28/63			
9,451,822	B2*	9/2016	Gu	A47B 23/044			
D770,457	S*	11/2016	Massucco	D14/440			
D773,454	S*	12/2016	Akana	D14/341			
D773,470	S*	12/2016	Akana	D14/440			
9,559,742	B2*	1/2017	Ye	H04B 1/3877			
D779,485	S*	2/2017	Akana	D14/345			
D784,348	S*	4/2017	Zhang	D14/440			
D784,995	S*	4/2017	Akana	D14/440			
9,628,130	B2*	4/2017	Ye	H04B 1/3888			
9,634,711	B2*	4/2017	Sirichai	A45C 11/00			
9,654,165	B2*	5/2017	Cho	H04B 1/3888			
D792,393	S*	7/2017	Akana	D14/341			
D792,884	S*	7/2017	Nyholm	D14/440			
D801,343	S*	10/2017	Akana	D14/440			
D805,080	S*	12/2017	Lakraa	D14/440			
D807,365	S*	1/2018	Liu	D14/440			
D807,370	S*	1/2018	Chen	D14/440			
D807,889	S*	1/2018	Kim	D14/440			
D808,394	S*	1/2018	Lakraa	D14/440			
2002/0162935	A1	11/2002	Hardy				
2003/0104036	A1	6/2003	Gregoire				
2003/0121116	A1	7/2003	Keck				
2004/0240164	A1*	12/2004	Lee	G06F 1/1616 361/679.55			
2005/0001021	A1	1/2005	Hutchinson				
2005/0021114	A1	1/2005	Hidaka				
2005/0246851	A1	11/2005	Cline				
2006/0285283	A1*	12/2006	Simonian	A45C 3/02 361/679.55			
2007/0110495	A1	5/2007	Willat				
2007/0182152	A1	8/2007	David				
2008/0061207	A1*	3/2008	Panziera	A47B 23/002 248/346.01			
2008/0167095	A1	7/2008	Kim				
2009/0000169	A1	1/2009	Houssain				

(56)

References Cited

U.S. PATENT DOCUMENTS

2013/0284615 A1* 10/2013 Lee A45C 11/00
206/45.23

2013/0313142 A1 11/2013 Wen
2013/0328825 A1 12/2013 Brown
2014/0028865 A1 1/2014 Ohtaka
2014/0028903 A1 1/2014 Ohtaka
2014/0029195 A1 1/2014 Barnes
2014/0029197 A1 1/2014 Hishinuma
2014/0036438 A1 2/2014 Gioscia
2014/0061071 A1 3/2014 Kim
2014/0063735 A1 3/2014 Lee
2014/0071654 A1 3/2014 Chien
2014/0083883 A1 3/2014 Elias
2014/0092008 A1 4/2014 Hsu
2014/0102924 A1 4/2014 Chang
2014/0131225 A1 5/2014 Couch, III
2014/0131251 A1 5/2014 Westrup
2014/0132133 A1 5/2014 Chiou
2014/0139989 A1 5/2014 Mori
2014/0146455 A1 5/2014 Aboelsamie
2014/0197048 A1 7/2014 Napolitano
2014/0202889 A1 7/2014 Kim
2014/0202891 A1 7/2014 Piatt
2014/0202899 A1 7/2014 Murchison
2014/0246340 A1 9/2014 Jiang
2014/0262853 A1 9/2014 DeChant
2014/0267957 A1 9/2014 Iwamoto
2014/0274215 A1 9/2014 Del Toro

2014/0284228 A1 9/2014 Chiou
2014/0291174 A1 10/2014 Chung
2014/0291175 A1 10/2014 Chung
2014/0291177 A1 10/2014 Ko
2015/0001105 A1 1/2015 Nyholm
2015/0041341 A1 2/2015 Marshall
2015/0065208 A1 3/2015 Balaji
2015/0151871 A1 6/2015 Huang
2015/0151887 A1 6/2015 Huang
2015/0189781 A1 7/2015 Klepar
2015/0237979 A1 8/2015 Huang
2015/0263776 A1 9/2015 Shyu
2015/0266610 A1 9/2015 Melmon
2015/0280768 A1 10/2015 Huang
2015/0282354 A1 10/2015 Spollen
2016/0058147 A1* 3/2016 Bemis A45C 13/1069
206/45.2

2016/0066453 A1* 3/2016 Quehl A45C 11/00
206/45.2

2016/0128439 A1* 5/2016 Senatori G06F 1/162
206/45.2

2017/0068282 A1* 3/2017 Smith G06F 1/1669

OTHER PUBLICATIONS

Speck PixelSkin HD Wrap Product, Mar. 15, 2011, 4 pages.
Speck CandyShell Wrap Product, Jan. 25, 2011, 10 pages.
Apple iPad Case Product, Mar. 15, 2010, 12 pages.

* cited by examiner

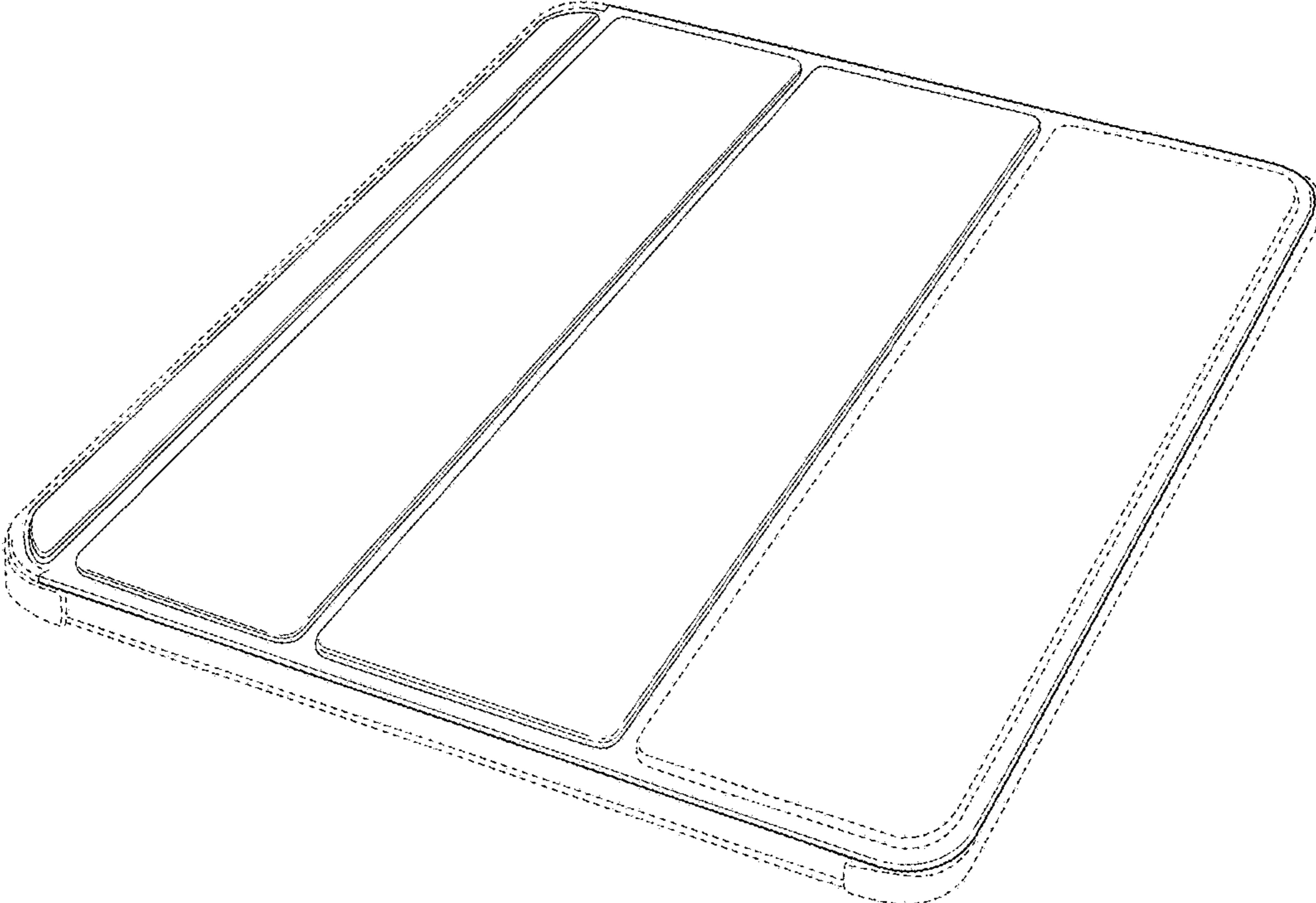


FIG. 1

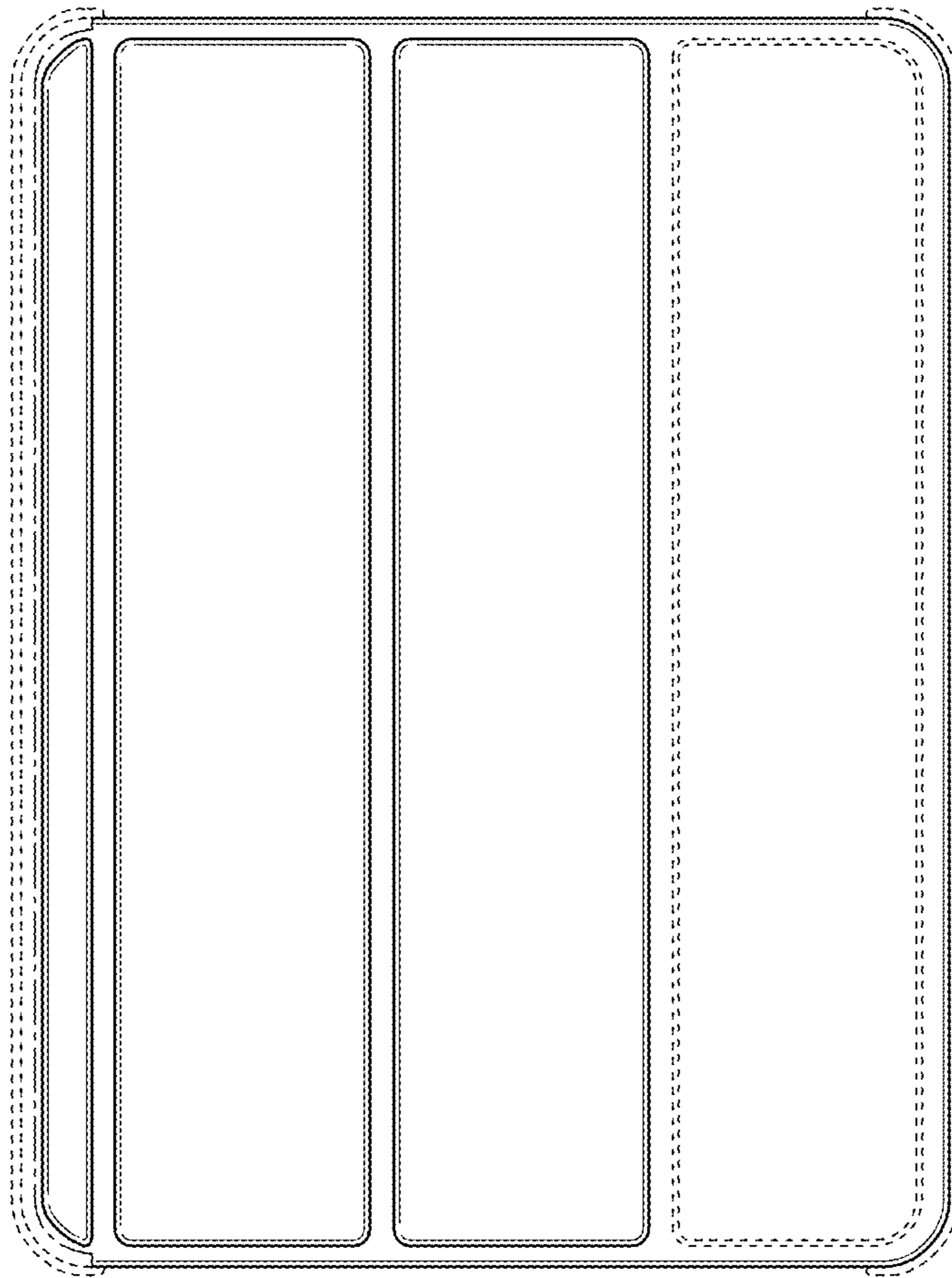


FIG. 2

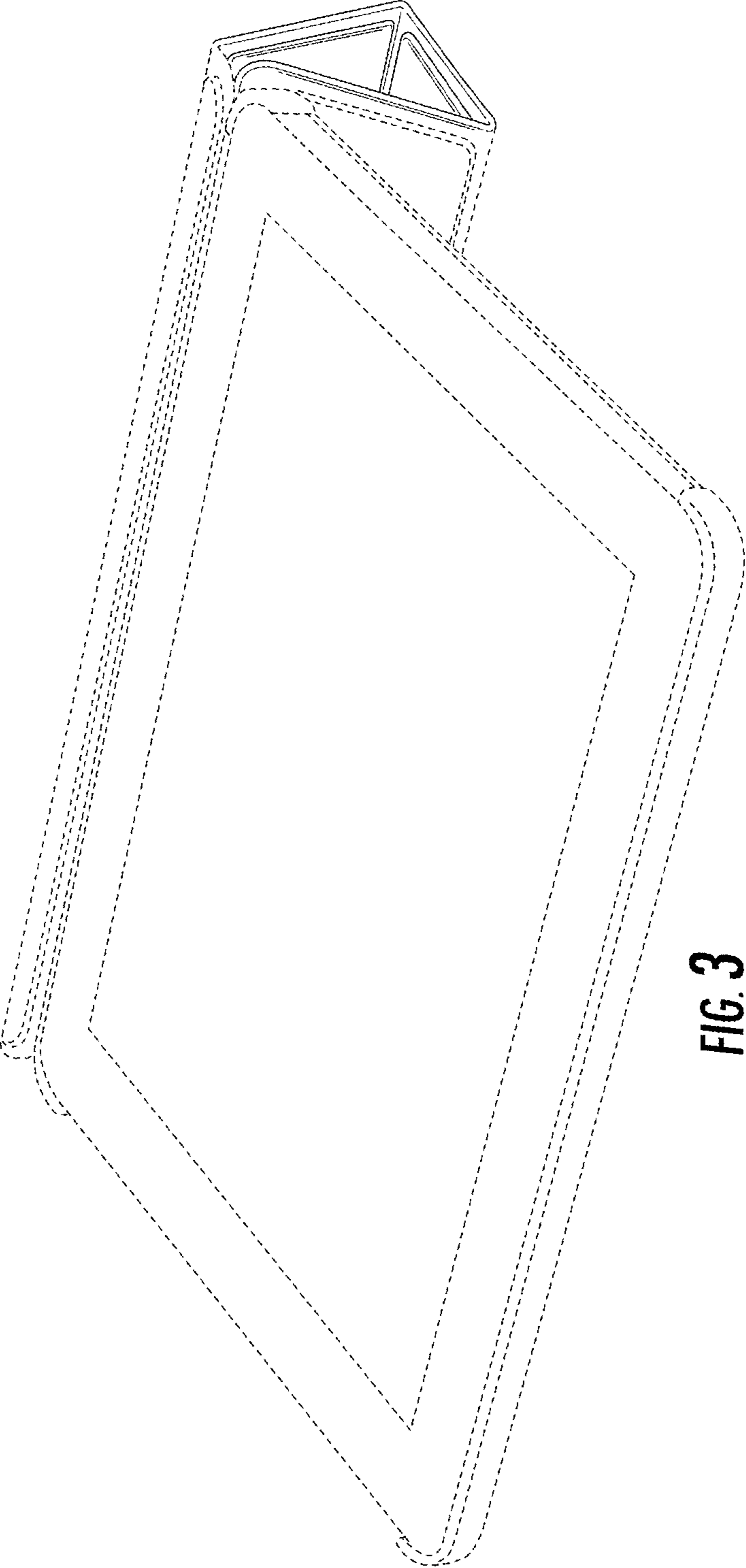


FIG. 3