



US00D827649S

(12) **United States Design Patent**
Shim

(10) **Patent No.:** **US D827,649 S**

(45) **Date of Patent:** **** Sep. 4, 2018**

(54) **PORTABLE DATA STORAGE DEVICE**

(71) Applicant: **SAMSUNG ELECTRONICS CO., LTD.**, Suwon-si (KR)

(72) Inventor: **Hyung-Sup Shim**, Seoul (KR)

(73) Assignee: **SAMSUNG ELECTRONICS CO., LTD.**, Suwon-si (KR)

(**) Term: **15 Years**

(21) Appl. No.: **29/536,068**

(22) Filed: **Aug. 13, 2015**

(30) **Foreign Application Priority Data**

Mar. 10, 2015 (KR) 30-2015-0012020

(51) **LOC (11) Cl.** **14-02**

(52) **U.S. Cl.**
USPC **D14/435.1**

(58) **Field of Classification Search**
USPC D13/107-110, 118-119, 184; D14/251, D14/253, 432, 434, 435.1, 480.1-480.7
CPC Y02E 60/12; Y02T 90/14; Y02T 90/122; Y02T 90/128; Y02T 90/163; H02J 7/025; H02J 7/0042; H02J 7/0044; H02J 7/0045; H02J 7/0003; H01F 38/14; H01R 13/6675; H01M 2/1022; H01M 2/1055; H01M 10/44; H01M 10/46; H01M 10/425; B60L 11/182
See application file for complete search history.

(56) **References Cited**

U.S. PATENT DOCUMENTS

6,522,534 B1 * 2/2003 Wu G06K 19/041 312/223.2
6,983,888 B2 * 1/2006 Weng G06F 21/79 235/382
7,364,436 B2 * 4/2008 Yen G06K 19/07732 439/76.1
D576,619 S * 9/2008 Udagawa D14/435.1

7,722,369 B2 * 5/2010 Bushby H01R 13/6397 439/134
D631,885 S * 2/2011 Maier D14/435.1
8,305,750 B2 * 11/2012 Hsieh H01R 13/193 200/284
D673,908 S * 1/2013 Koch D13/108
D685,382 S * 7/2013 Anderson D14/480.5
D692,903 S * 11/2013 Lin D14/480.7
D706,787 S * 6/2014 Emami D14/480.7
D707,688 S * 6/2014 Wu D14/480.1
D711,389 S * 8/2014 Sun D14/480.5

(Continued)

OTHER PUBLICATIONS

Wooden Blocks. backtoblocks.com. [Online]. [Published Feb. 27, 2014]. [Accessed May 10, 2017]. <[url:http://backtoblocks.com/wooden-block-set-basic-builder-60-blocks.html](http://backtoblocks.com/wooden-block-set-basic-builder-60-blocks.html)>.*

Primary Examiner — Rosemary K Tarcza

Assistant Examiner — Nathaniel D. Buckner

(74) *Attorney, Agent, or Firm* — Sughrue Mion, PLLC

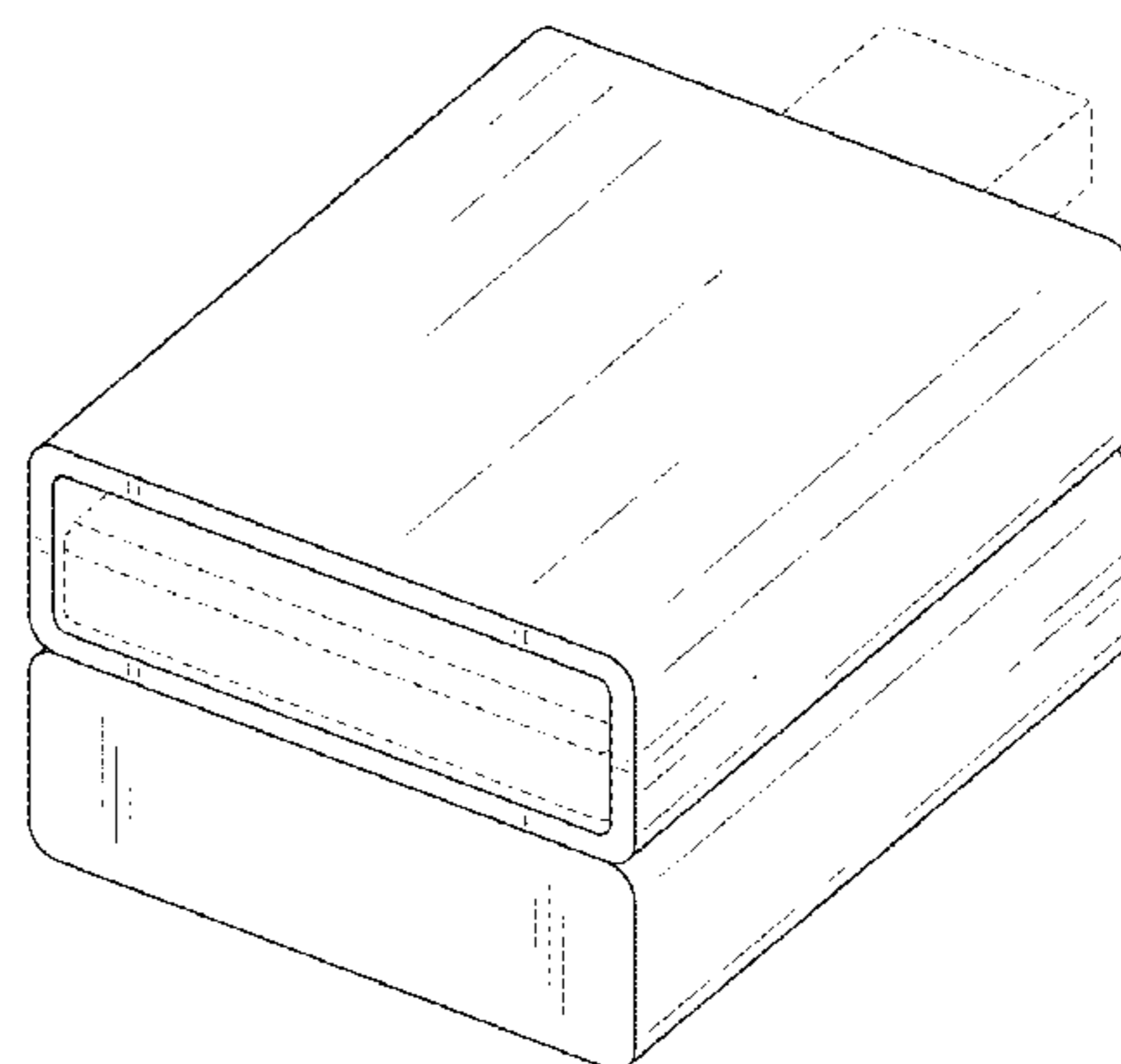
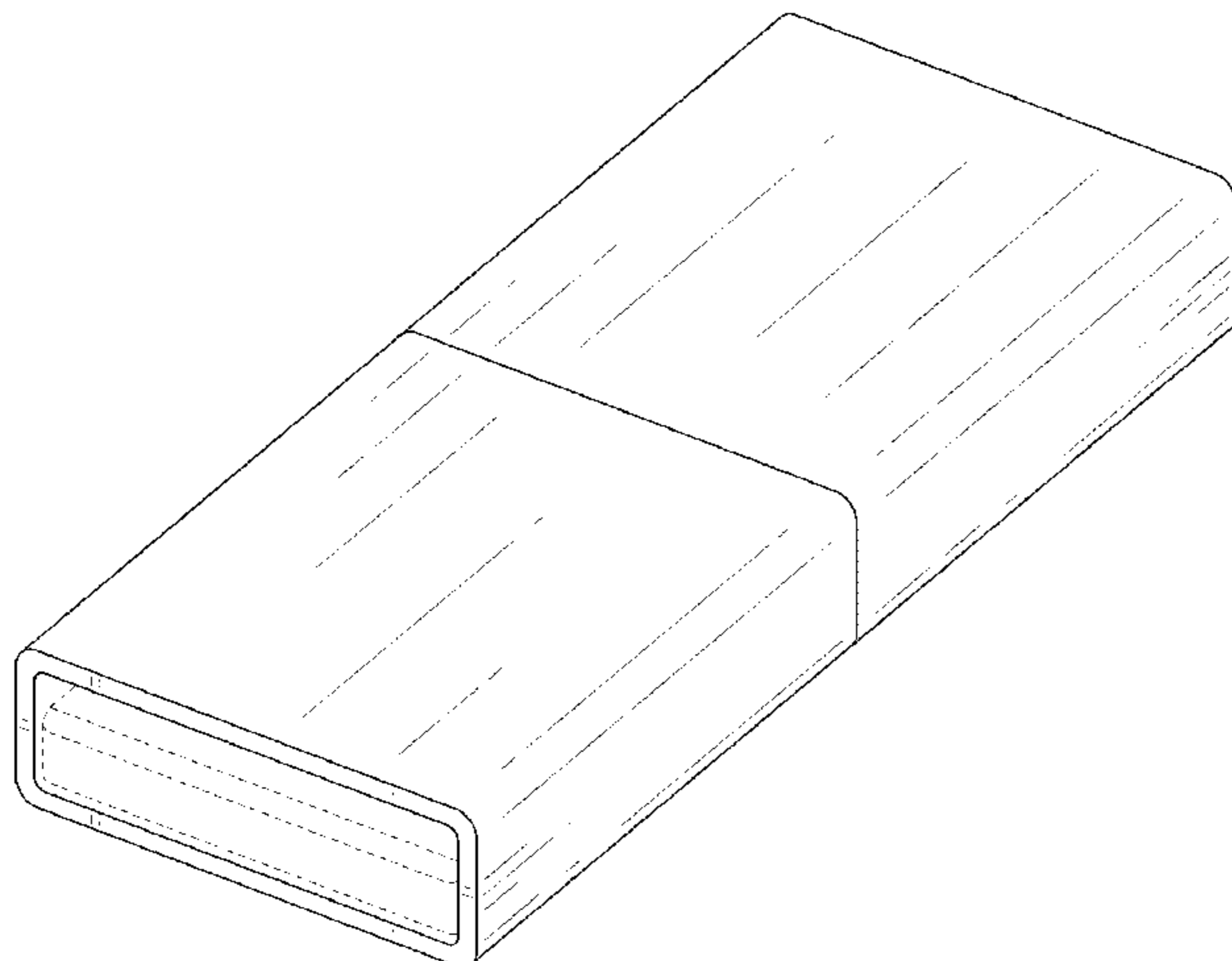
(57) **CLAIM**

I claim the ornamental design for a portable data storage device, as shown and described.

DESCRIPTION

FIG. 1 is a front perspective view of the portable data storage device showing my new design;
FIG. 2 is a front view thereof;
FIG. 3 is a rear view thereof;
FIG. 4 is a left-side view thereof;
FIG. 5 is a right-side view thereof;
FIG. 6 is a top plan view thereof;
FIG. 7 is a bottom plan view thereof; and,
FIG. 8 is a front perspective view showing the portable data storage device in an open position.
The broken lines in the figures represent portions of the article which form no part of the claim.

1 Claim, 6 Drawing Sheets



(56)

References Cited

U.S. PATENT DOCUMENTS

D711,891 S *	8/2014	Emami	D14/480.5
D720,761 S *	1/2015	Winzenried	D14/480.5
D736,150 S *	8/2015	Liu	D13/108
D737,201 S *	8/2015	Liu	D13/108
D749,510 S *	2/2016	Liu	D13/108
D804,491 S *	12/2017	Lin	D14/480.3
D806,089 S *	12/2017	Shim	D14/480.5
2007/0229025 A1 *	10/2007	Tsai	H01R 13/2442
			320/111
2009/0187687 A1 *	7/2009	Hulbert	G06F 9/4411
			710/73

* cited by examiner

FIG. 1

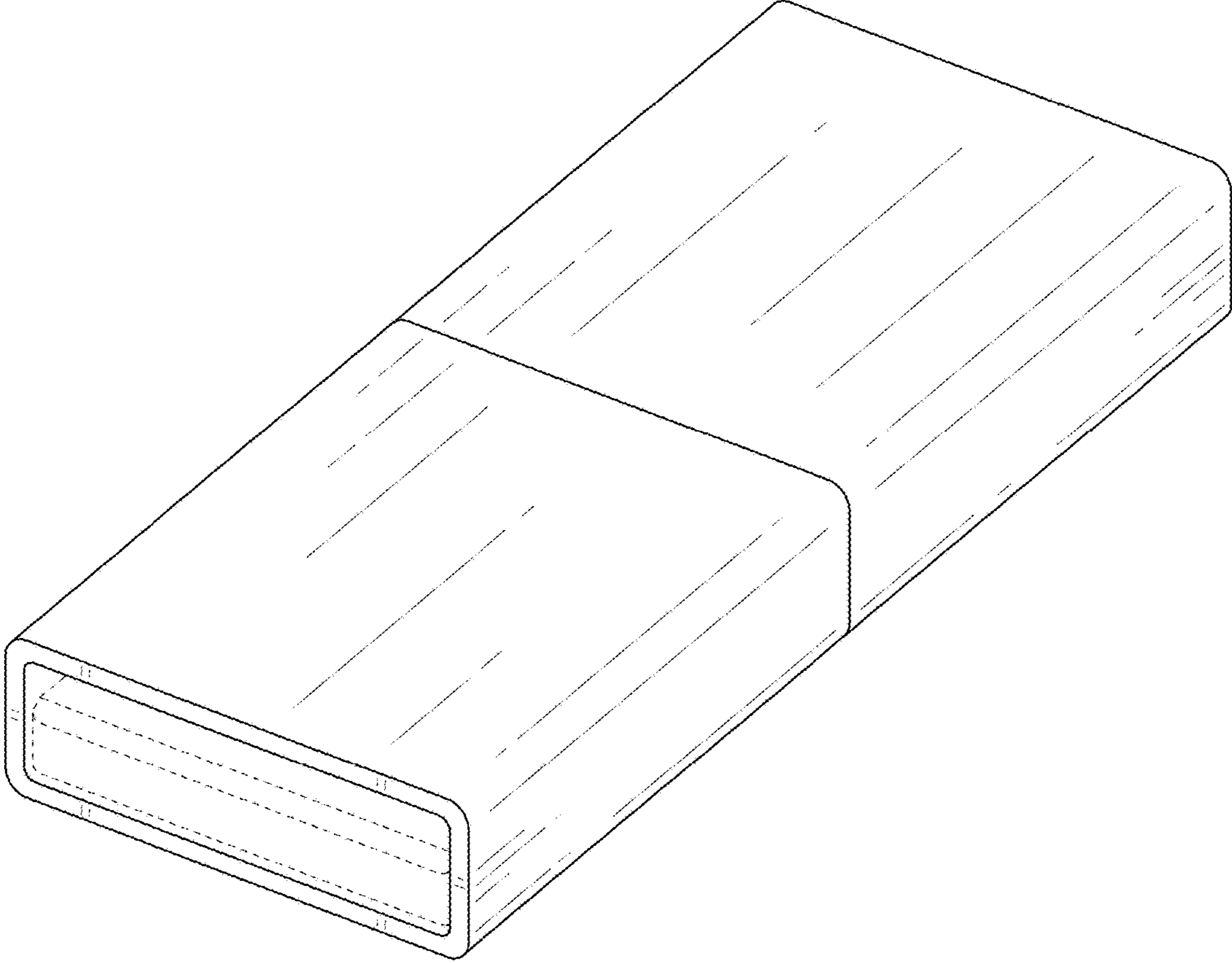


FIG. 2

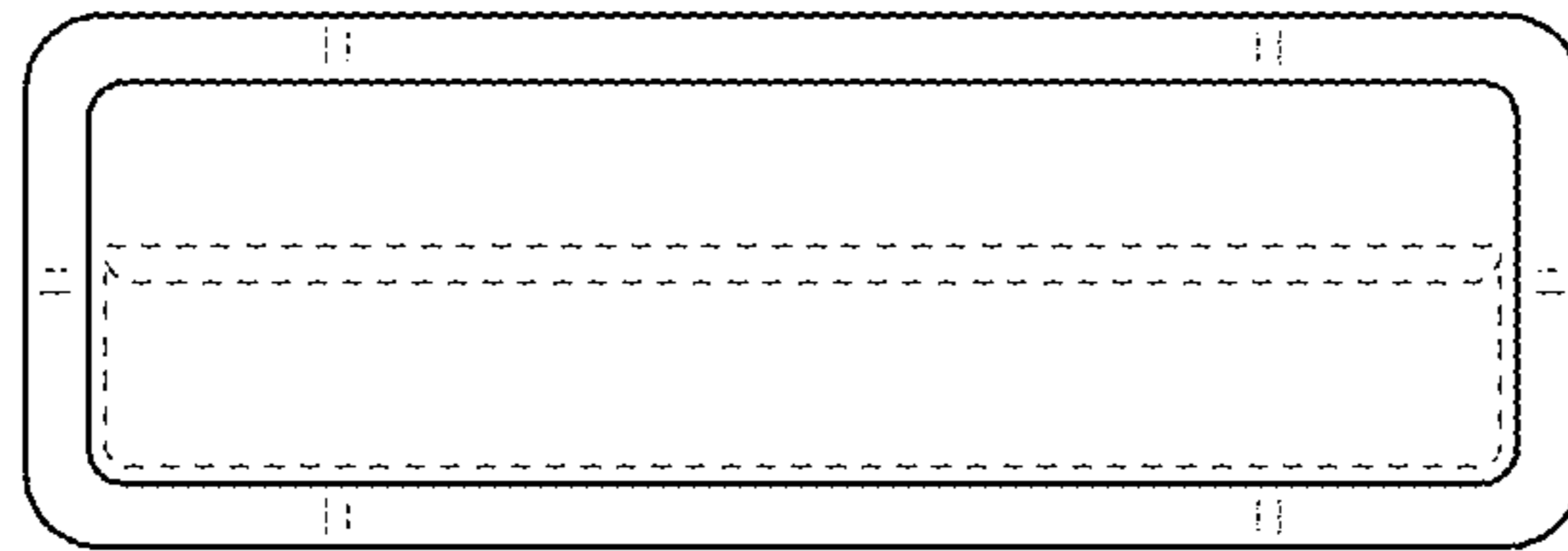


FIG. 3

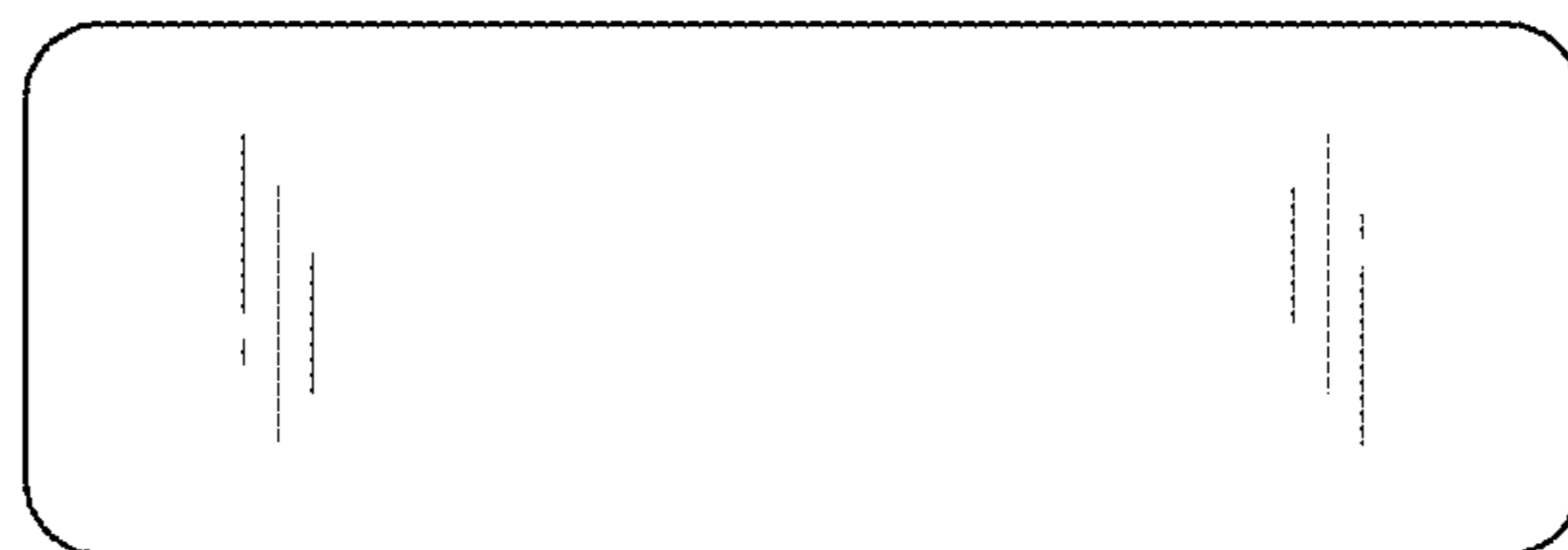


FIG. 4

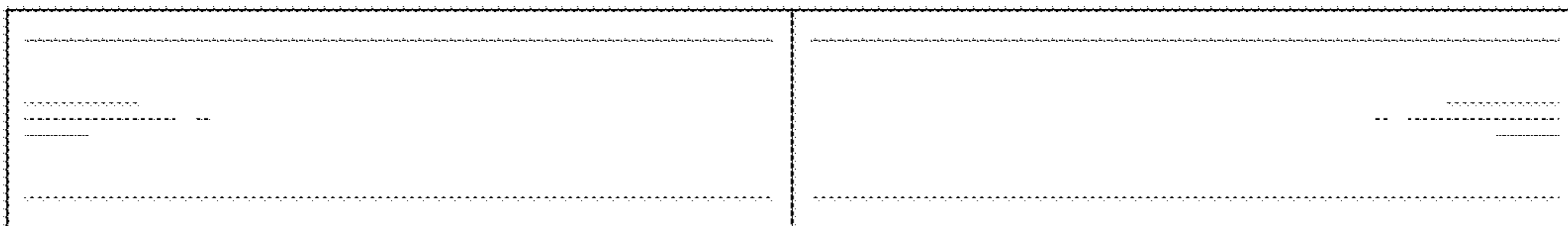


FIG. 5

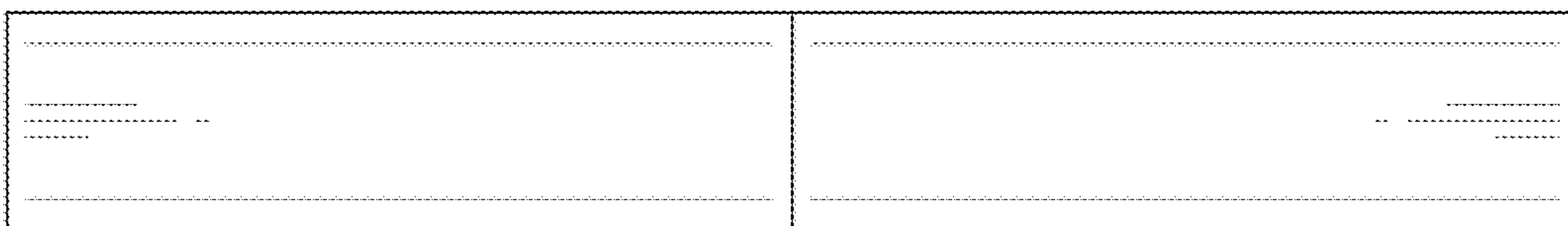


FIG. 6

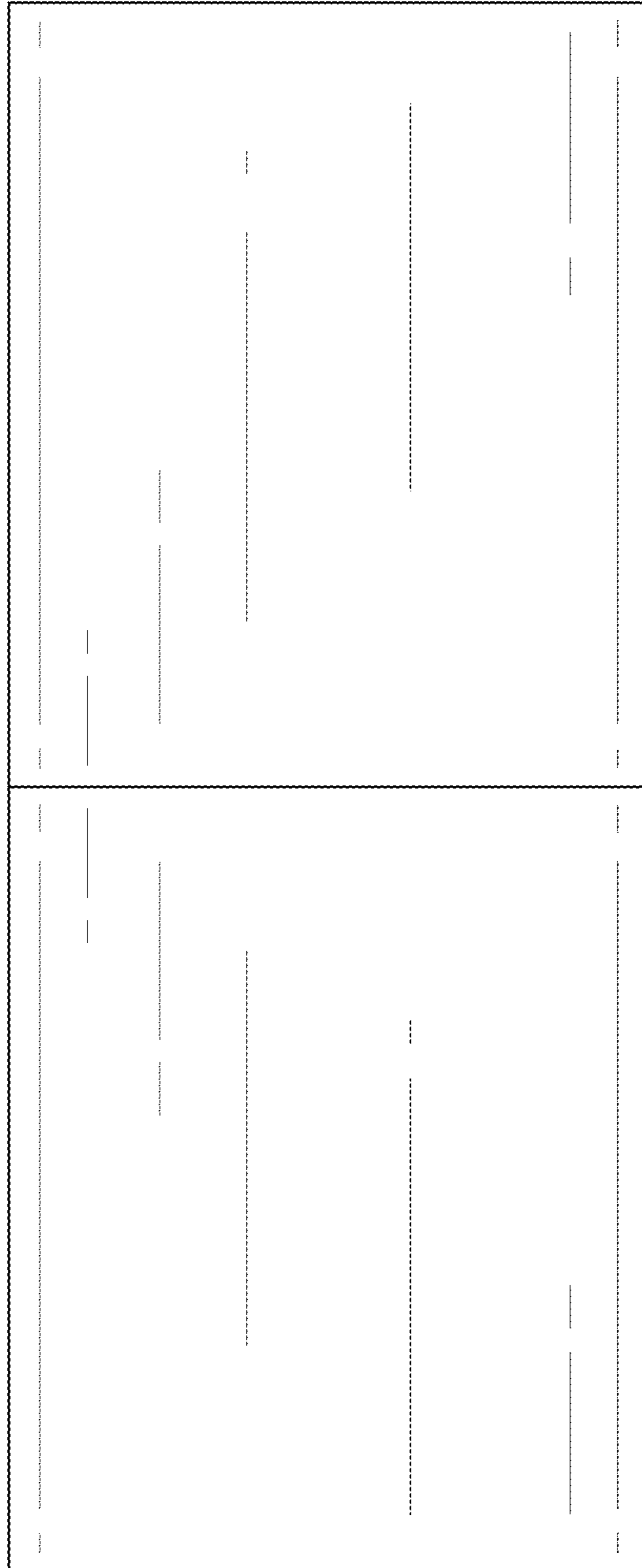


FIG. 7

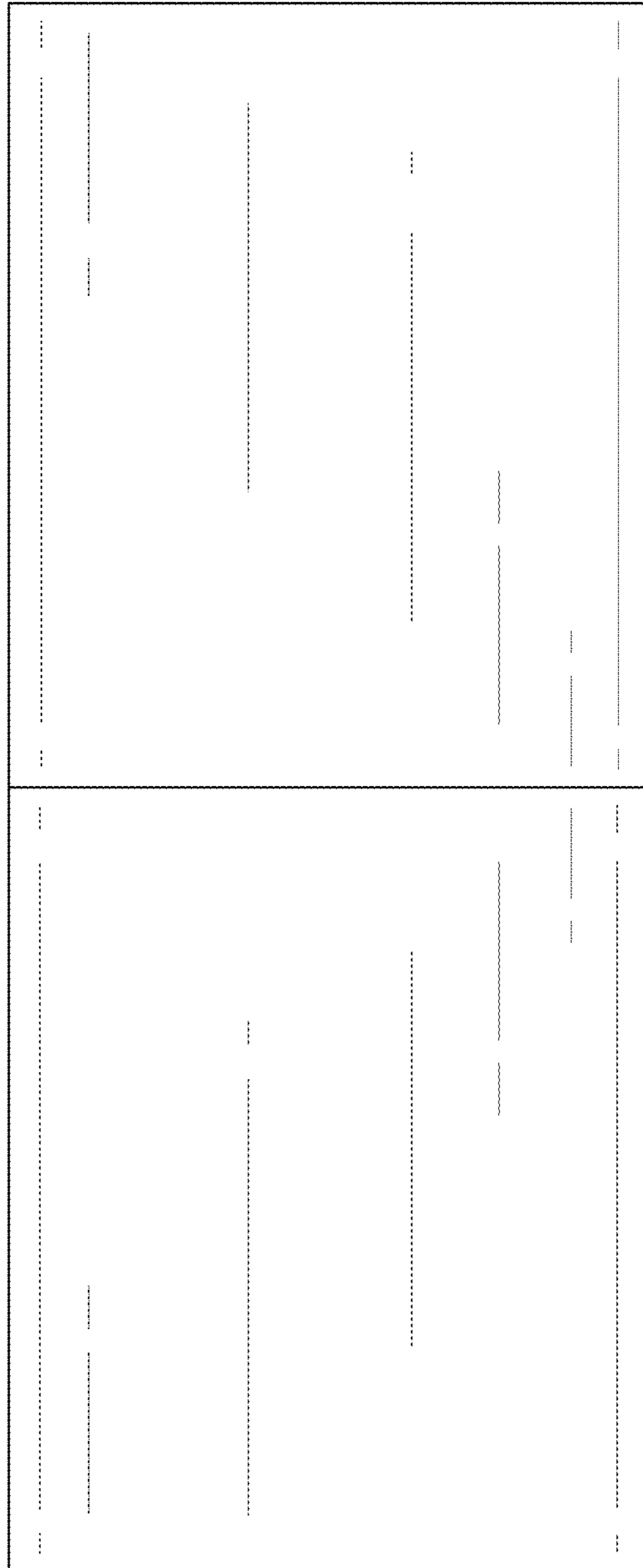


FIG. 8

