



US00D827648S

(12) **United States Design Patent**  
**Mitchell**

(10) **Patent No.:** **US D827,648 S**

(45) **Date of Patent:** **\*\* Sep. 4, 2018**

(54) **CLIP FOR COORDINATE INPUT DEVICE**

(71) Applicant: **Wacom Co., Ltd.**, Kazo-shi, Saitama (JP)

(72) Inventor: **Giles Thomas Mitchell**, Setagaya-ku (JP)

(73) Assignee: **Wacom Co., Ltd.**, Kazo-shi (JP)

(\*\*) Term: **15 Years**

(21) Appl. No.: **29/608,350**

(22) Filed: **Jun. 21, 2017**

(30) **Foreign Application Priority Data**

Dec. 21, 2016 (JP) ..... 2016-027752

(51) **LOC (11) Cl.** ..... **14-02**

(52) **U.S. Cl.**  
USPC ..... **D14/432**; D14/411

(58) **Field of Classification Search**  
USPC ..... D8/61; D14/411; D19/35, 36, 41-51,  
D19/54-58; 401/55, 99, 100, 104-107,  
401/196, 197, 202, 208, 209, 213, 192,  
401/195, 243; 708/107; 345/179, 173;  
178/19.01; 700/94

CPC ..... G06F 2200/1632; H04R 1/16; H04R 1/18;  
B43K 23/00; B43K 23/001; A44C  
5/0046; A44C 3/002; A44C 3/008

See application file for complete search history.

(56) **References Cited**

**U.S. PATENT DOCUMENTS**

1,324,308 A \* 12/1919 Crossan ..... B43K 23/001  
24/11 CT  
D201,479 S \* 6/1965 Green ..... D11/95  
D468,360 S \* 1/2003 Chen ..... D19/72  
D578,381 S 10/2008 Wolff  
D598,052 S \* 8/2009 Esfahani ..... D19/81  
D603,904 S \* 11/2009 Esfahani ..... D19/81

D620,981 S \* 8/2010 Sturken ..... D19/81  
D632,738 S \* 2/2011 Bedol ..... D19/72  
D641,994 S \* 7/2011 Huang ..... D6/678.3  
D655,344 S \* 3/2012 Bedol ..... D19/72

(Continued)

**FOREIGN PATENT DOCUMENTS**

JP D1413505 S 5/2011

*Primary Examiner* — Austin Murphy

(74) *Attorney, Agent, or Firm* — Christensen O'Connor Johnson Kindness PLLC

(57) **CLAIM**

The ornamental design for a clip for coordinate input device, as shown and described.

**DESCRIPTION**

FIG. 1 is a top front right perspective view of a clip for coordinate input device according to a representative embodiment of my new design;

FIG. 2 is a bottom rear left perspective view of a clip shown in FIG. 1;

FIG. 3 is a front view of the clip shown in FIG. 1;

FIG. 4 is a rear view of the clip shown in FIG. 1;

FIG. 5 is a left side view of the clip shown in FIG. 1, wherein the right side view is a mirror image of the left side view;

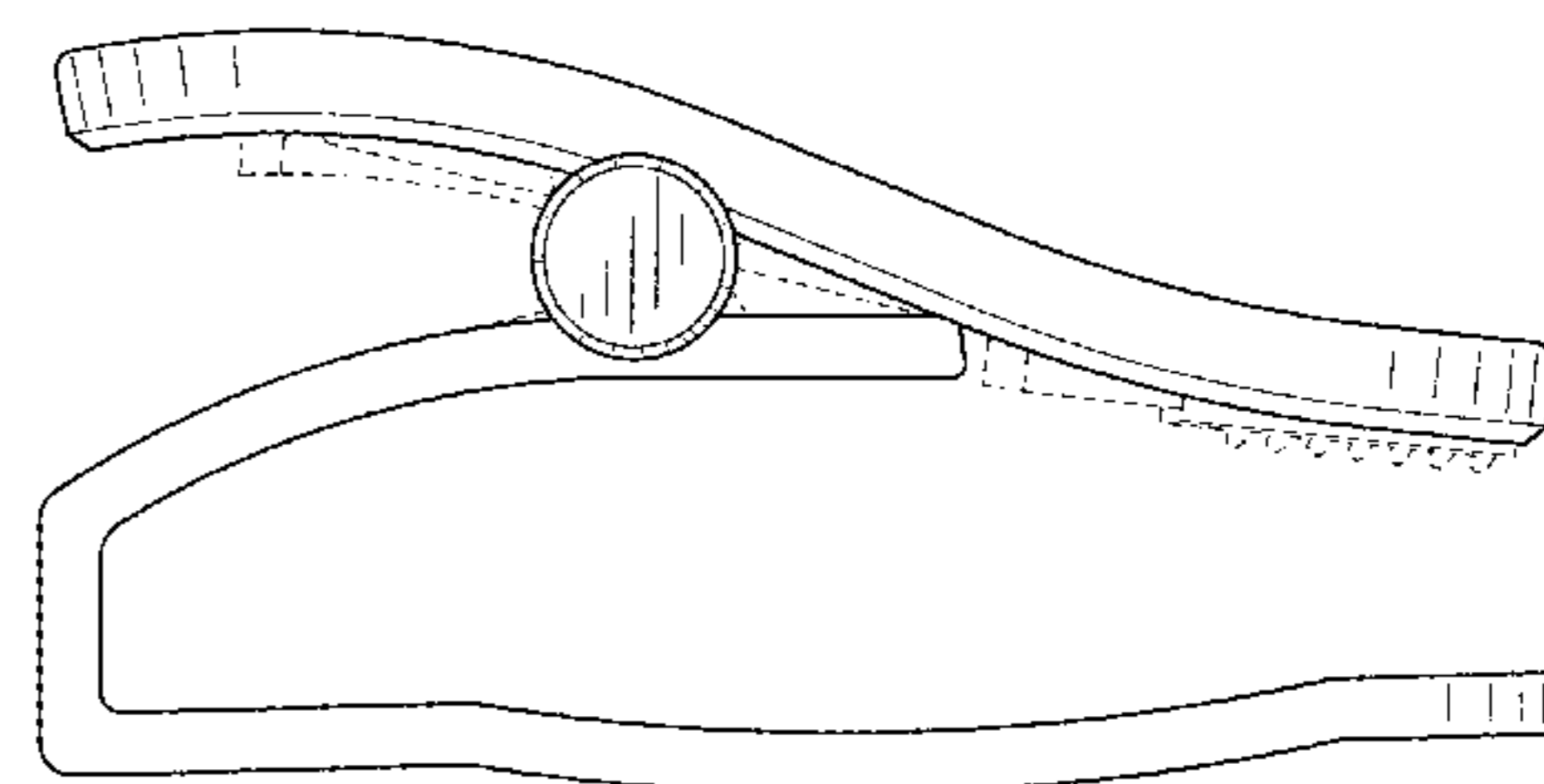
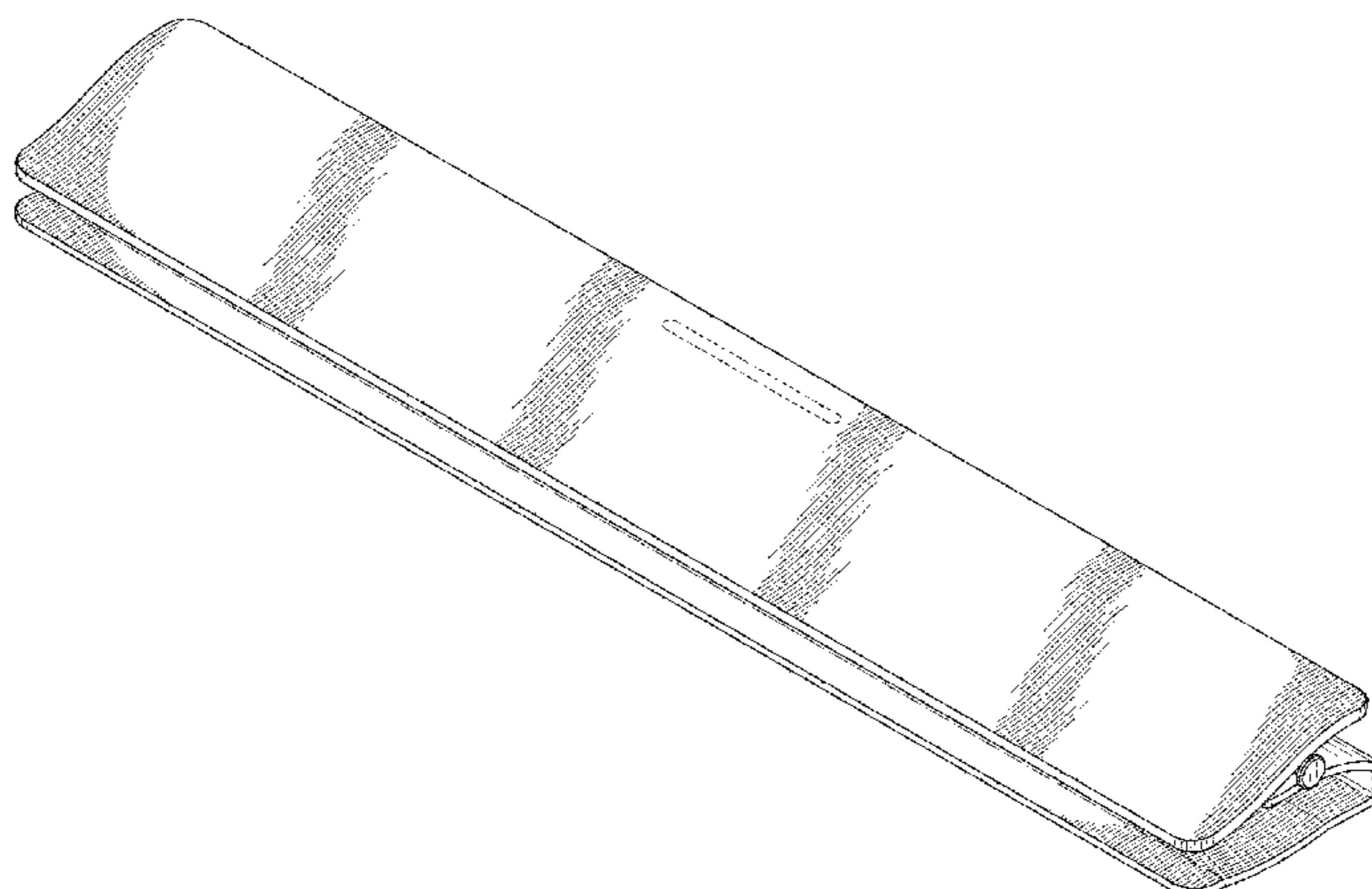
FIG. 6 is a top view of the clip shown in FIG. 1;

FIG. 7 is a bottom view of the clip shown in FIG. 1; and,

FIG. 8 is a top front right perspective view of a clip shown in FIG. 1 wherein the clip is coupled to a coordinate input device.

The broken lines in the drawings show portions of the clip for coordinate input device that form no part of the claimed design. While the solid lines in the drawings form part of the claimed design, the solid lines also provide written description of prospective embodiments with aspects that are not claimed when one or more of the solid lines are amended to broken lines.

**1 Claim, 6 Drawing Sheets**



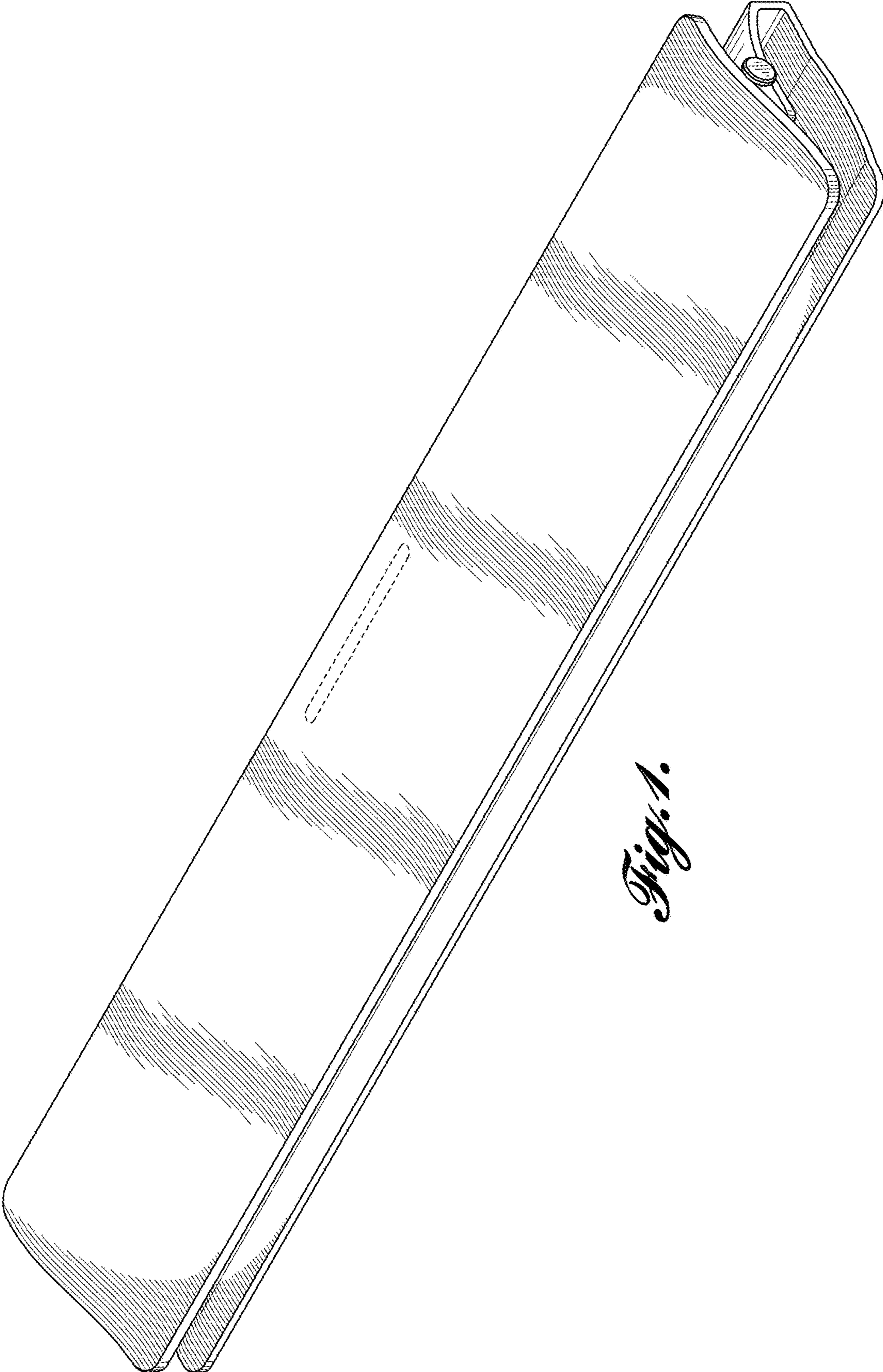
(56)

**References Cited**

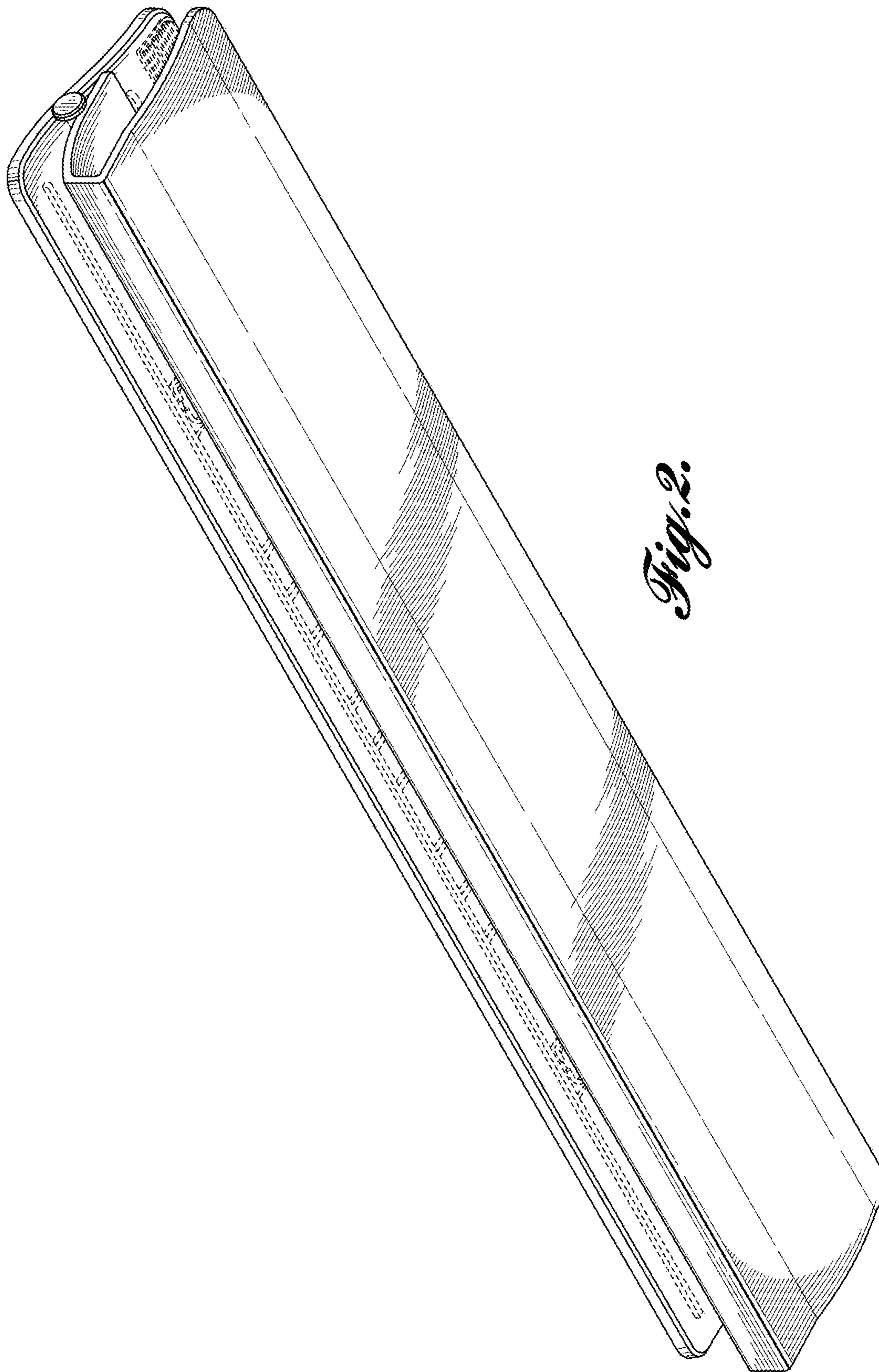
U.S. PATENT DOCUMENTS

D695,098	S	*	12/2013	Hobson	.....	D8/395
D700,909	S	*	3/2014	Bowser	.....	D14/411
D723,036	S	*	2/2015	Longo	.....	D14/411
D780,761	S	*	3/2017	Bouchard	.....	D14/411
D781,686	S	*	3/2017	Rothbaum	.....	D8/356
2016/0123525	A1	*	5/2016	Nguyen	.....	A45F 5/00 248/534

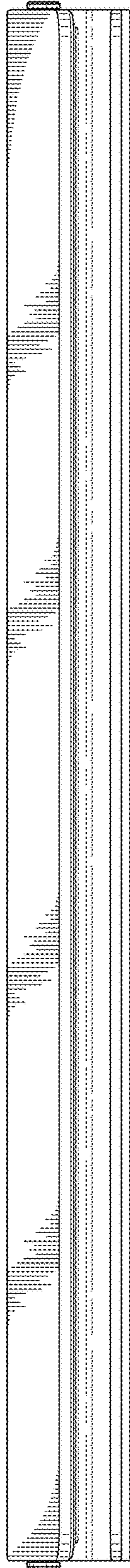
\* cited by examiner



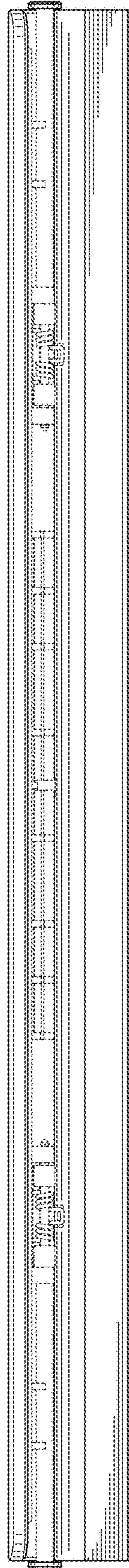
*Fig. 1.*



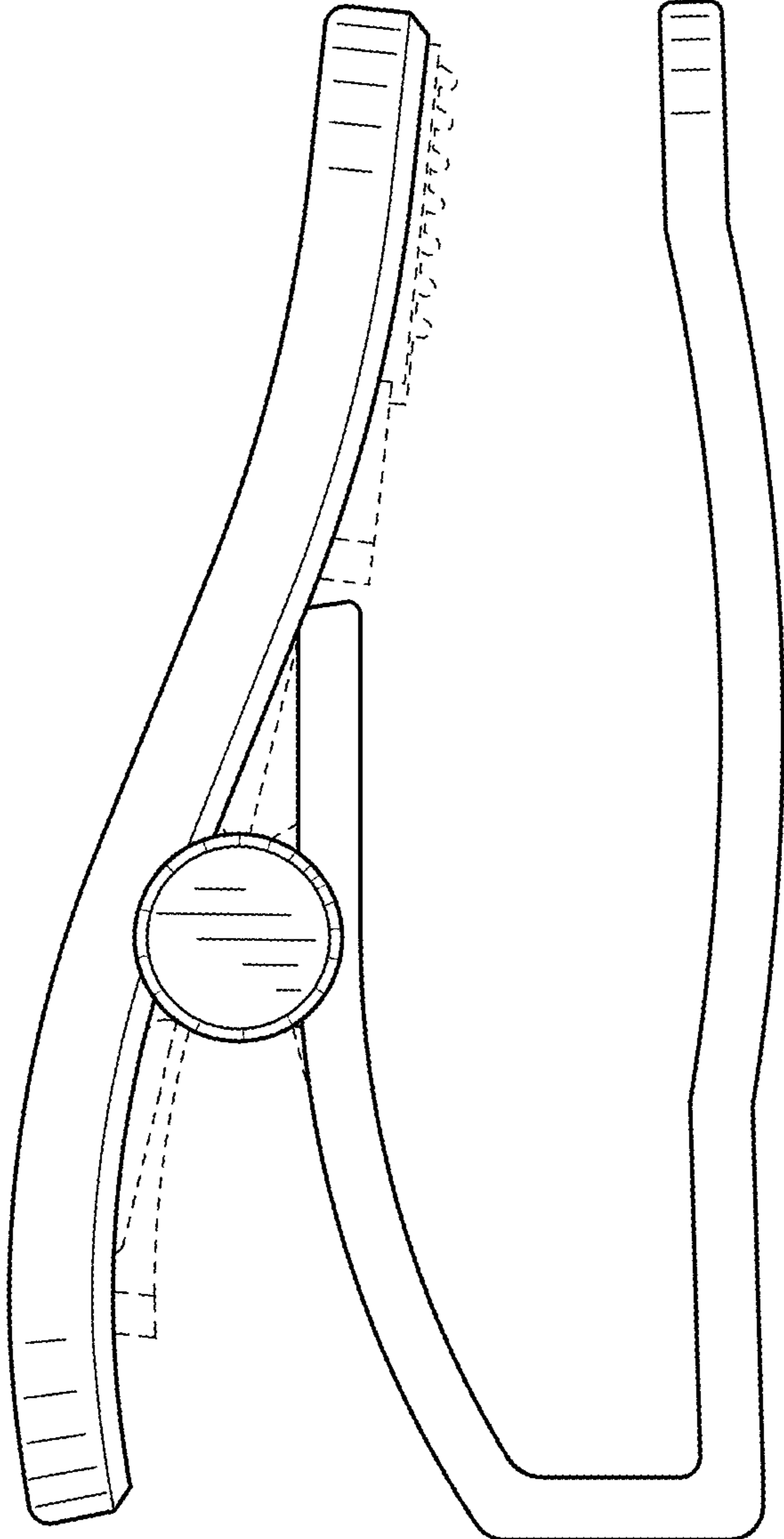
*Fig. 2.*



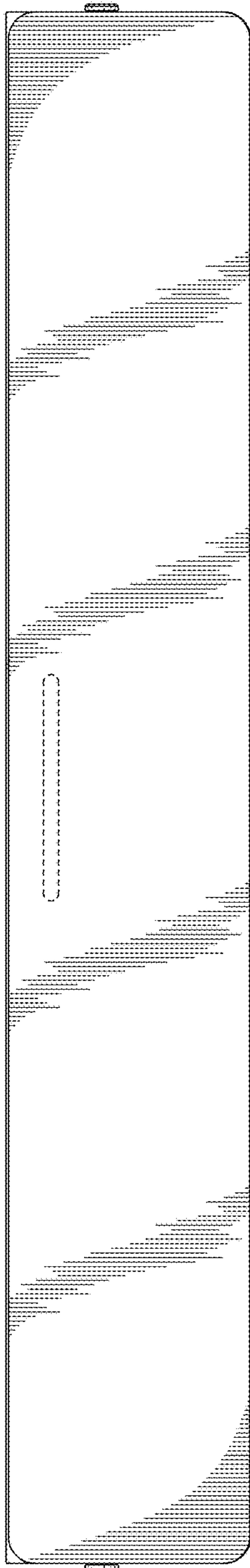
*Fig. 3.*



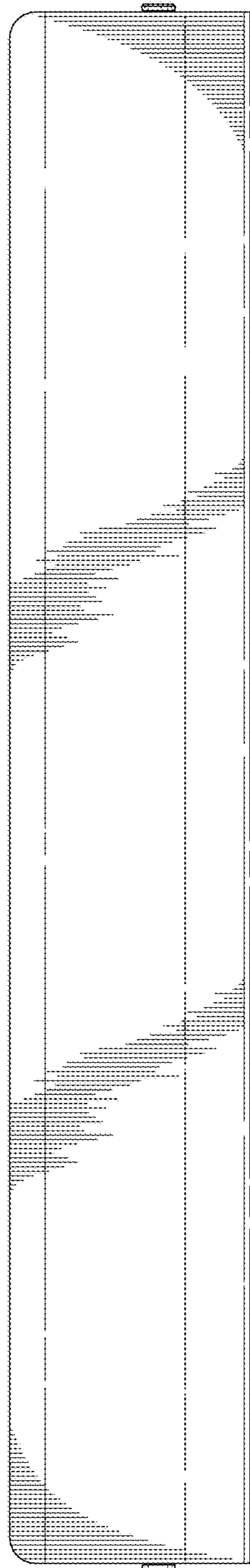
*Fig. 4.*



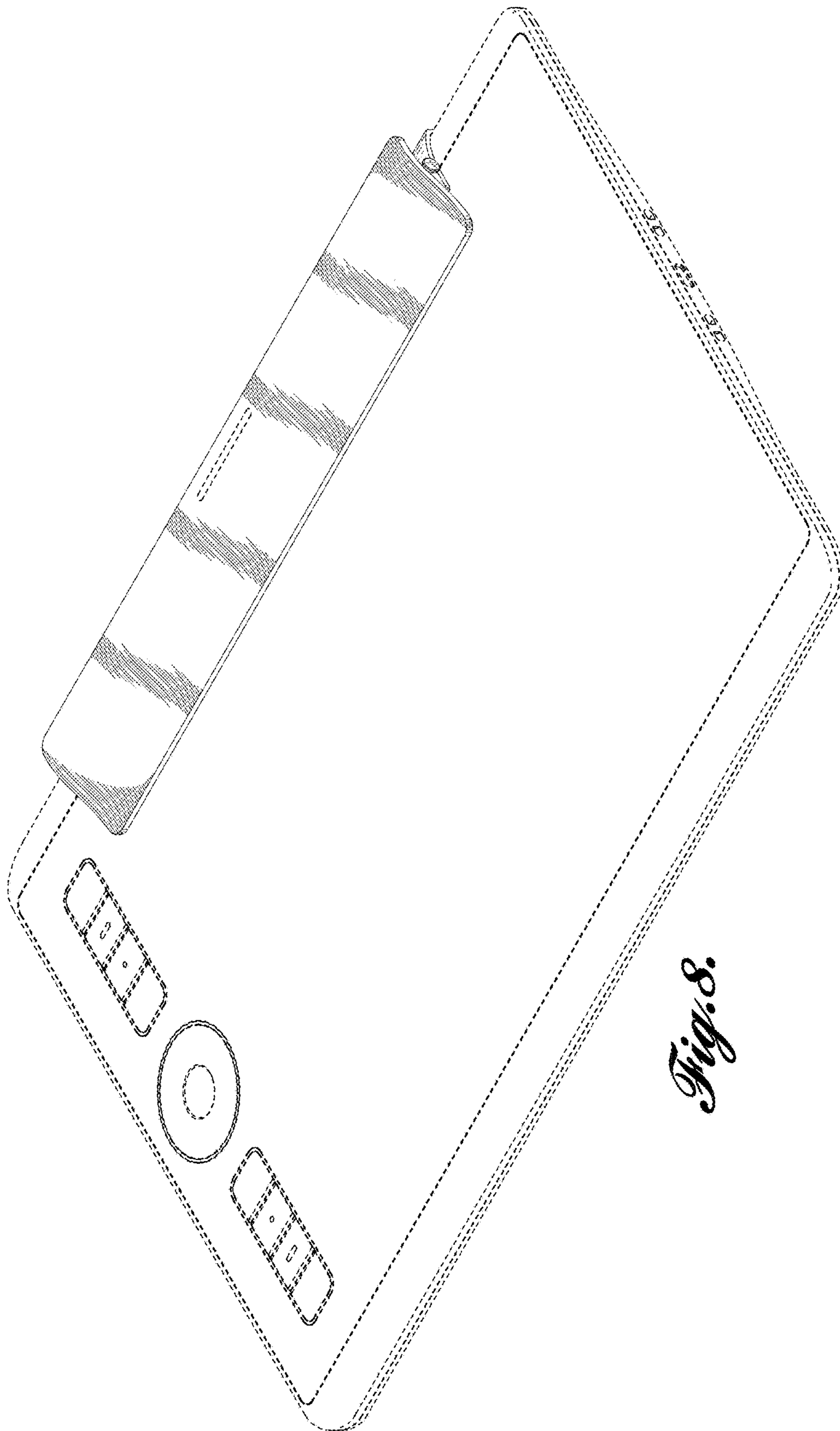
*Fig. 5.*



*Fig. 6.*



*Fig. 7.*



*Fig. 8.*