



US00D827647S

(12) **United States Design Patent**
Chong et al.

(10) **Patent No.:** **US D827,647 S**
(45) **Date of Patent:** **** Sep. 4, 2018**

(54) **MOUSE AND ADAPTER**

(71) Applicant: **RAZER (ASIA-PACIFIC) PTE. LTD.**,
Singapore (SG)

(72) Inventors: **Boon Sim Chong**, Singapore (SG); **Ee Fong Lee**, Singapore (SG)

(73) Assignee: **RAZER (ASIA-PACIFIC) PTE. LTD.**,
Singapore (SG)

(**) Term: **15 Years**

(21) Appl. No.: **29/600,847**

(22) Filed: **Apr. 17, 2017**

(51) **LOC (11) Cl.** **14-02**

(52) **U.S. Cl.**
USPC **D14/402**

(58) **Field of Classification Search**
USPC D14/402-411, 356, 388, 389, 383-385,
D14/417, 426; 345/156-167; 463/36-38;
358/471, 473; 273/148 B
CPC G06F 3/03543; G06F 2203/0333; G06F
3/039; G06F 3/038; G06F 2203/0384
See application file for complete search history.

(56) **References Cited**

U.S. PATENT DOCUMENTS

D590,398 S * 4/2009 Kim D14/402
D654,918 S * 2/2012 Cheng D14/402

D663,730 S * 7/2012 Kim D14/402
D680,113 S * 4/2013 Li D14/409
D688,663 S * 8/2013 Widiaman D14/402
D709,883 S * 7/2014 Moon D14/402
D725,111 S * 3/2015 Jeong D14/408
D762,646 S * 8/2016 Chong D14/409
D768,633 S * 10/2016 Helwig D14/402
D782,480 S * 3/2017 Nalbandian D14/408
D792,882 S * 7/2017 Helwig D14/402
D793,393 S * 8/2017 Jeong D14/402
D813,869 S * 3/2018 Hu D14/402

* cited by examiner

Primary Examiner — Austin Murphy

(74) *Attorney, Agent, or Firm* — Polsinelli PC

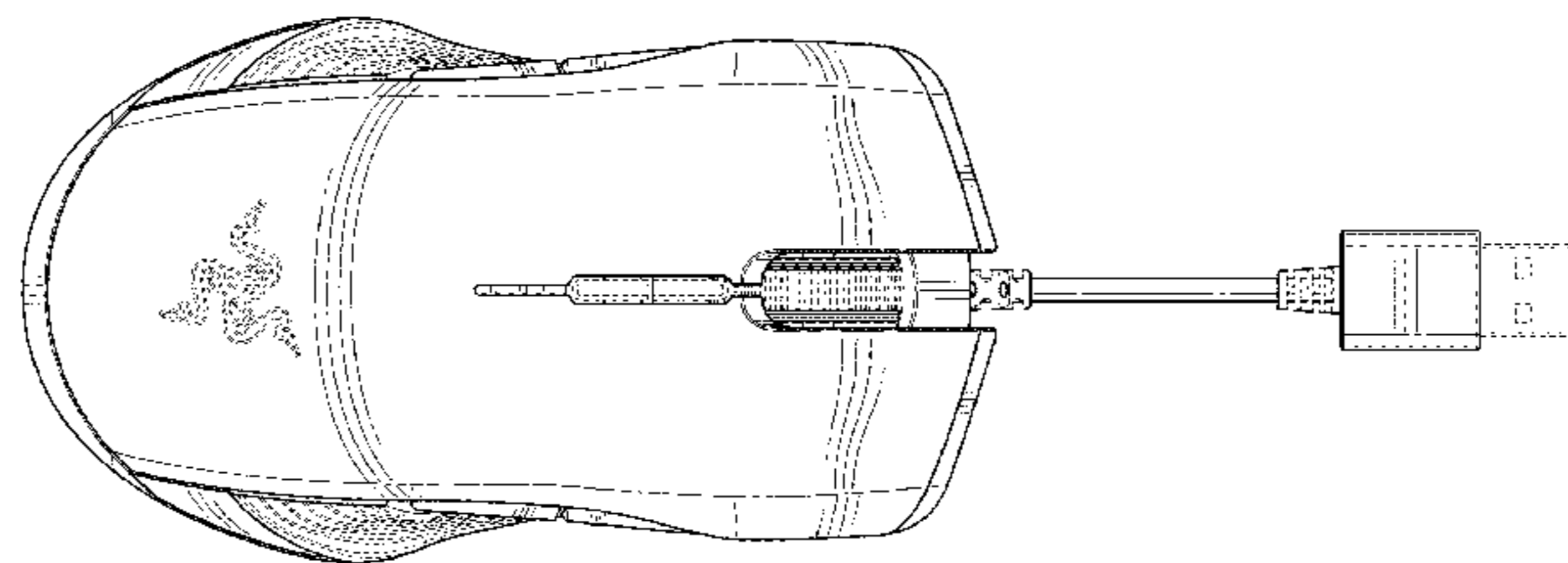
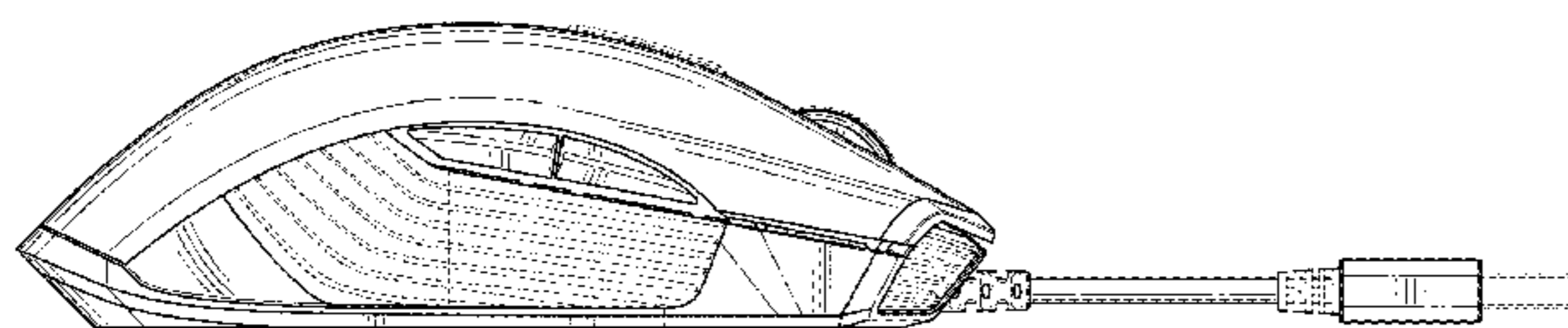
(57) **CLAIM**

We claim the ornamental design for a mouse and adapter, as shown and described.

DESCRIPTION

FIG. 1 is a perspective view of an embodiment of a mouse and adapter, showing my new design;
FIG. 2 is a front elevational view thereof;
FIG. 3 is a rear elevational view thereof;
FIG. 4 is a right side elevational view thereof;
FIG. 5 is a left side elevational view thereof;
FIG. 6 is a top plan view thereof;
FIG. 7 is a bottom plan view thereof; and,
FIG. 8 is an exploded view thereof.
Broken lines are for illustrating portions of the mouse and adapter which form no part of the claimed design.

1 Claim, 8 Drawing Sheets



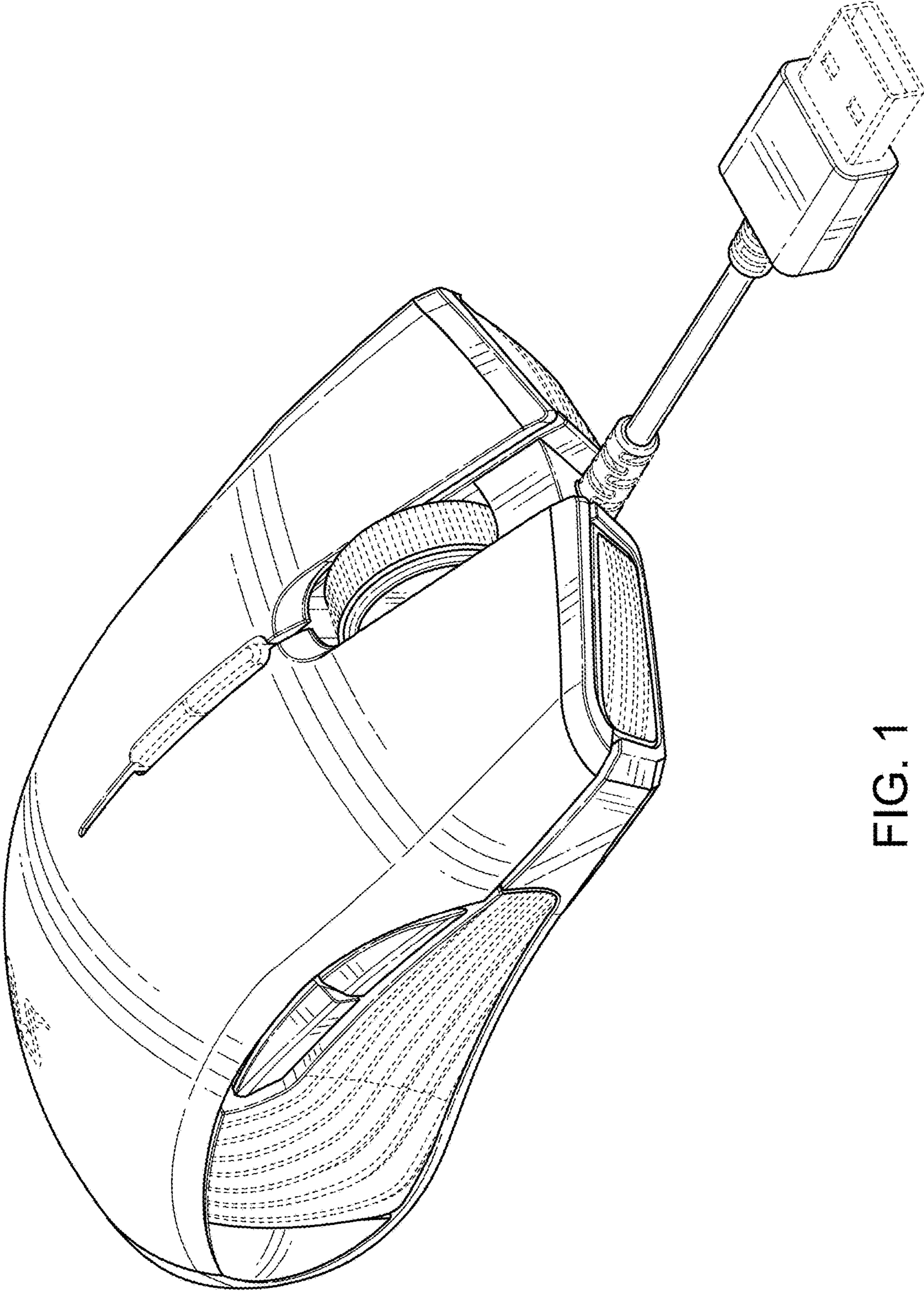


FIG. 1

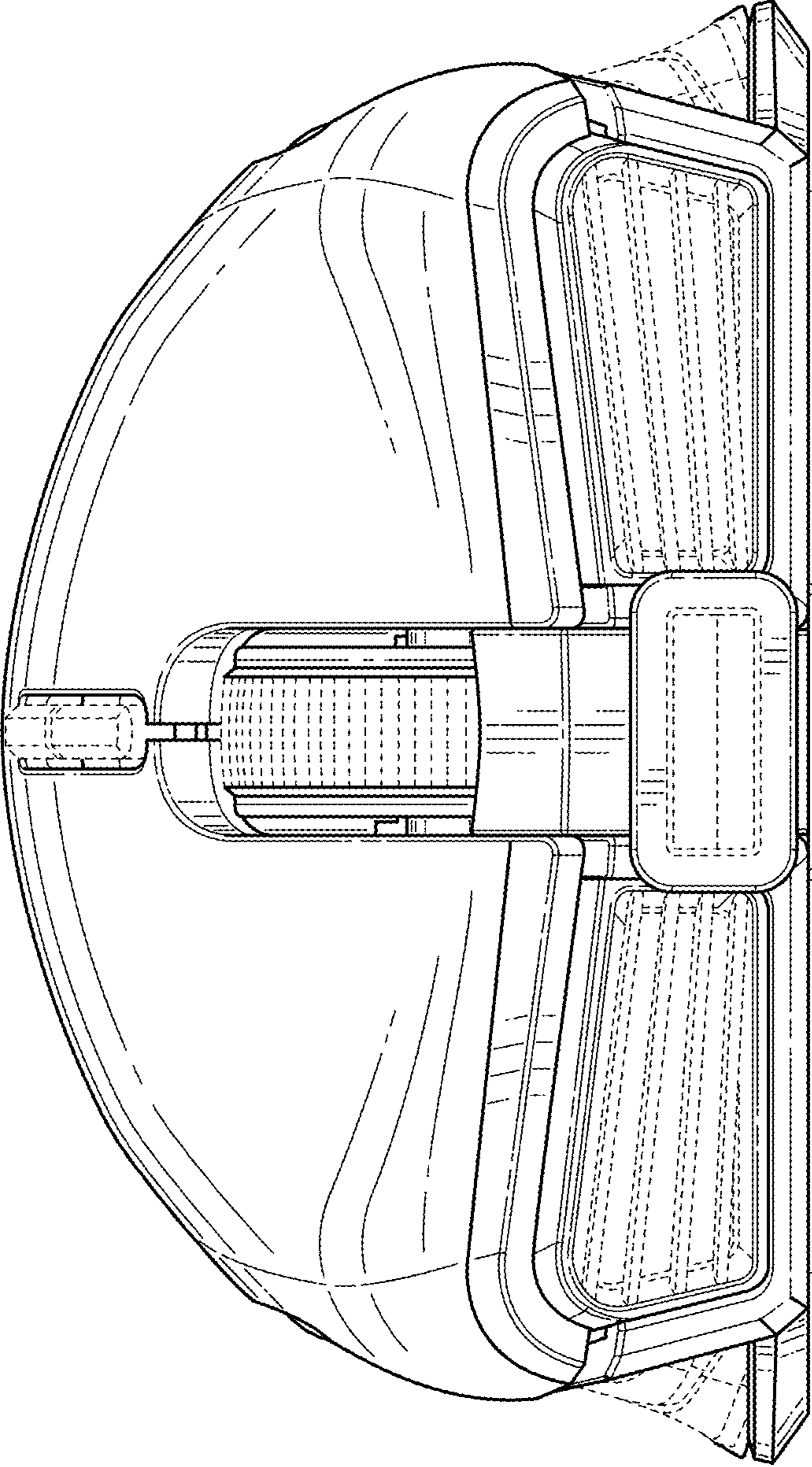


FIG. 2

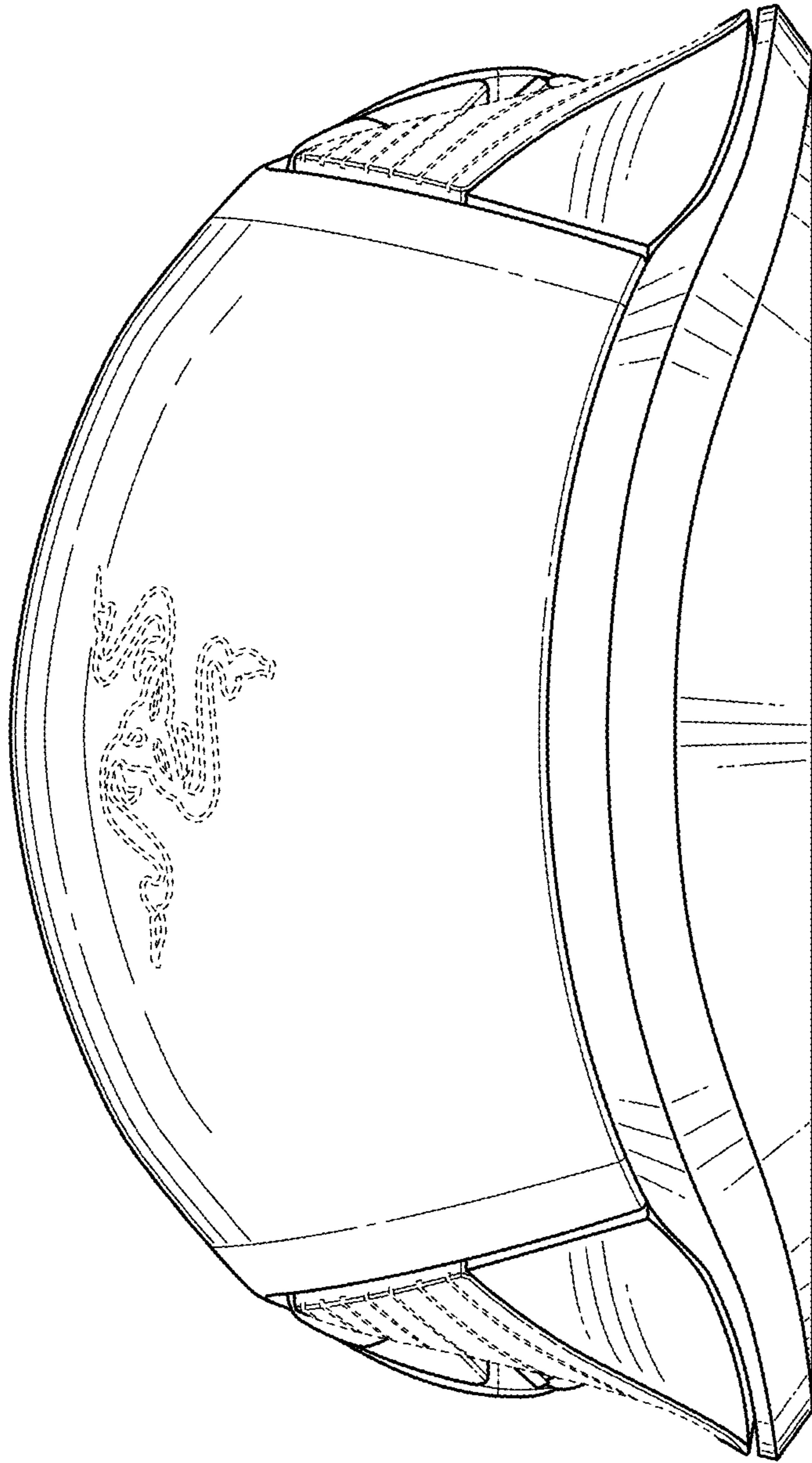


FIG. 3

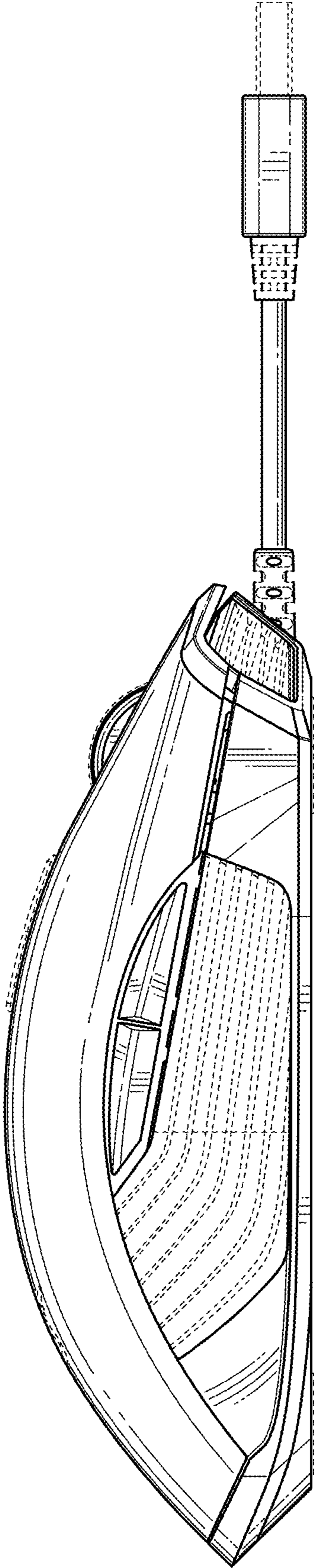


FIG. 4

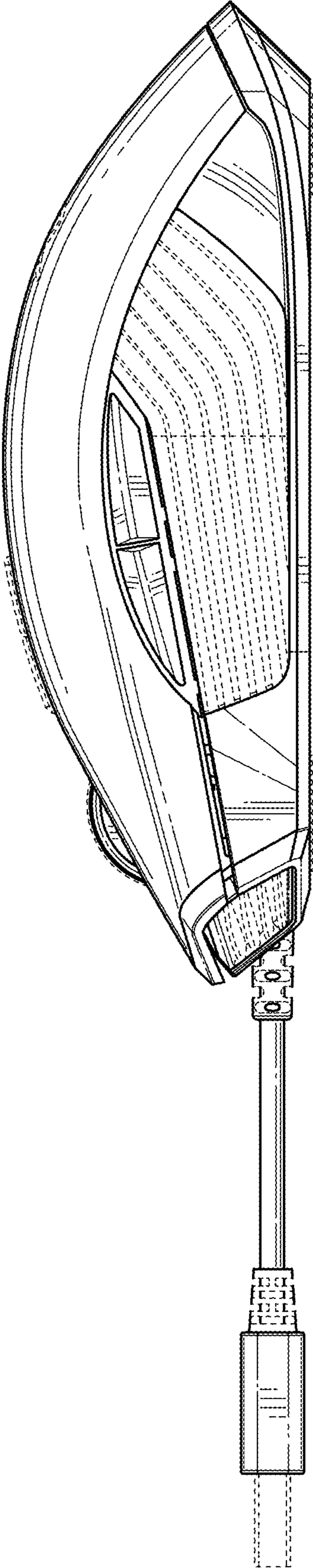


FIG. 5

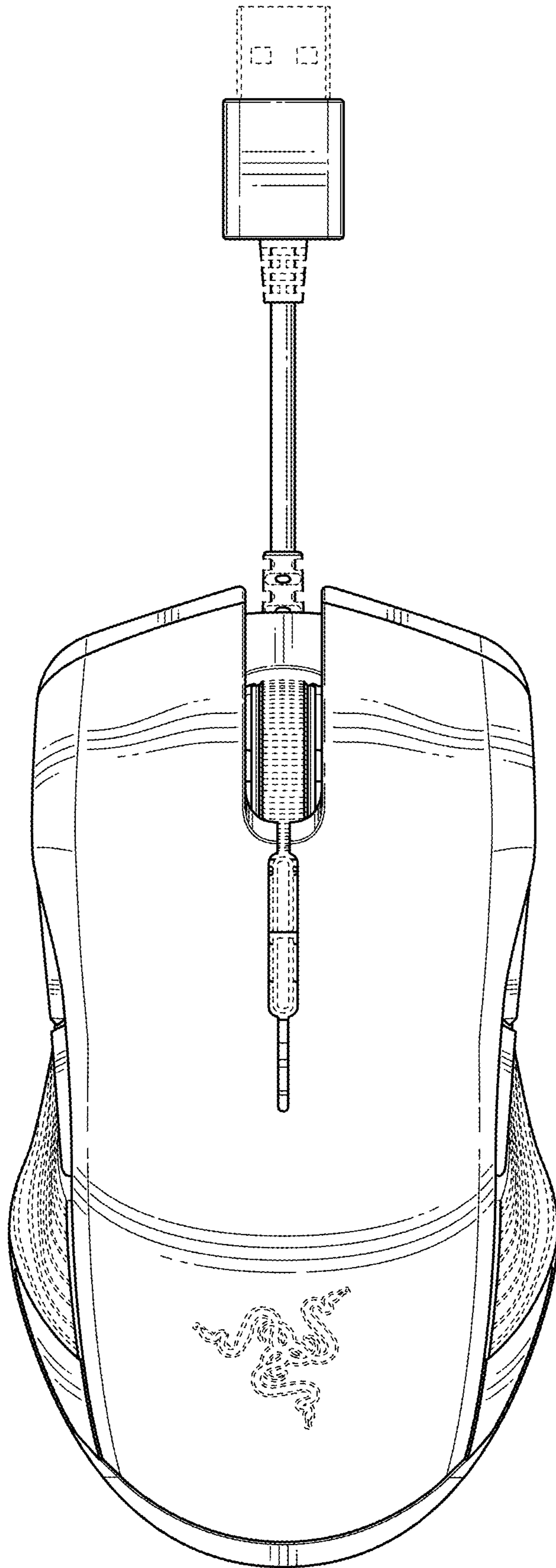


FIG. 6

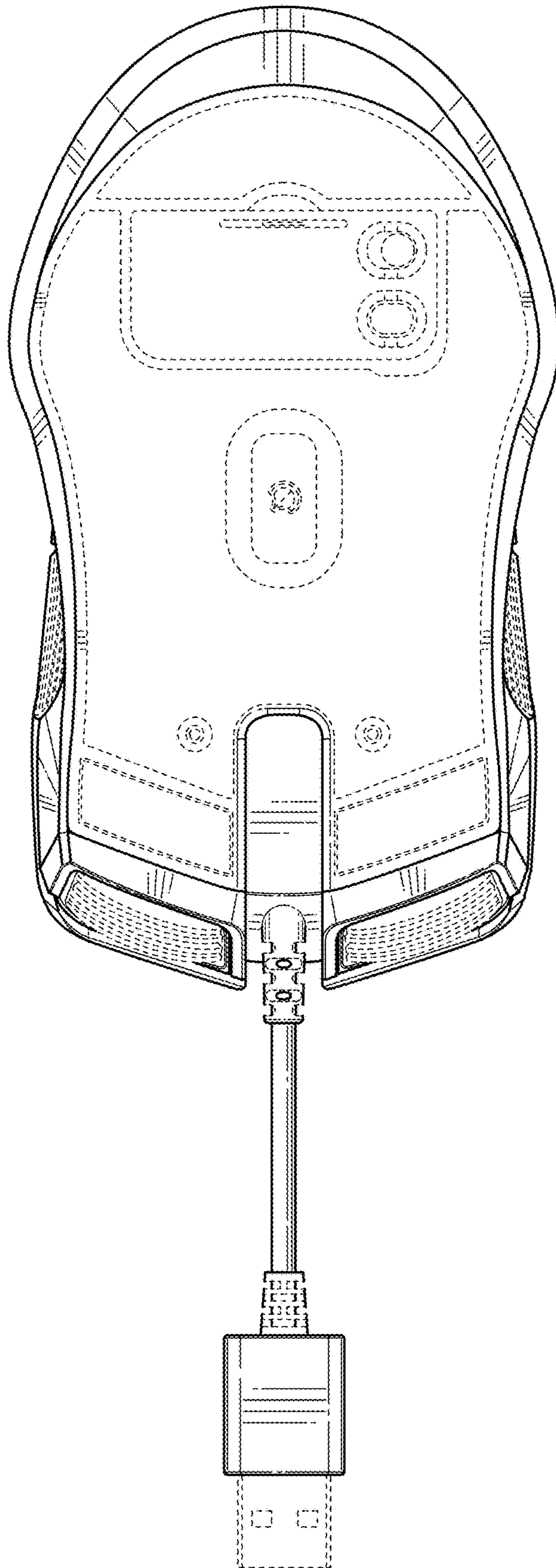


FIG. 7

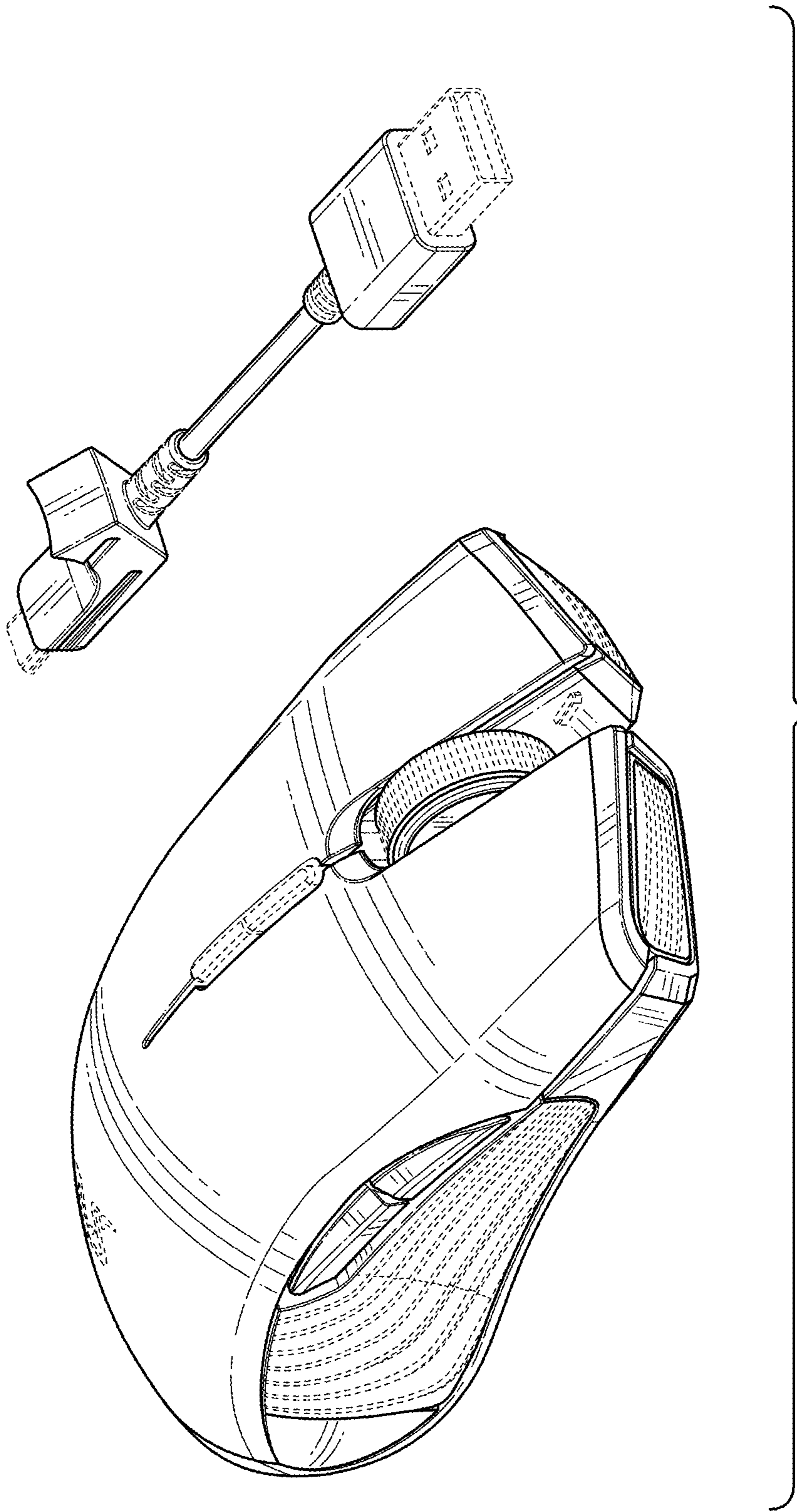


FIG. 8