



US00D827644S

(12) **United States Design Patent** (10) **Patent No.:** **US D827,644 S**  
**Kim et al.** (45) **Date of Patent:** **\*\* Sep. 4, 2018**

(54) **MONITOR DATA PROCESSING**

(56) **References Cited**

(71) Applicant: **LG ELECTRONICS INC.**, Seoul (KR)  
(72) Inventors: **Sungjoo Kim**, Seoul (KR); **Hana Kim**, Seoul (KR); **Gangho Woo**, Seoul (KR)  
(73) Assignee: **LG ELECTRONICS INC.**, Seoul (KR)  
(\*\*) Term: **15 Years**  
(21) Appl. No.: **35/503,730**  
(22) Filed: **Mar. 27, 2017**  
(80) **Hague Agreement Data**  
Int. Filing Date: **Mar. 27, 2017**  
Int. Reg. No.: **DM/095930**  
Int. Reg. Date: **Mar. 27, 2017**  
Int. Reg. Pub. Date: **Sep. 29, 2017**

U.S. PATENT DOCUMENTS

D641,328	S	*	7/2011	Lee	.....	D14/126
D641,329	S	*	7/2011	Zhang	.....	D14/126
D653,635	S	*	2/2012	Jeon	.....	D14/126
D655,265	S	*	3/2012	Ann	.....	D14/126
D682,797	S	*	5/2013	Lee	.....	D14/126
D684,943	S	*	6/2013	Hsu	.....	D14/126
D734,280	S	*	7/2015	Choi	.....	D14/126
D763,259	S	*	8/2016	Lee	.....	D14/375
D810,744	S	*	2/2018	Wang	.....	D14/374
D812,614	S	*	3/2018	Lee	.....	D14/375
D812,615	S	*	3/2018	Lee	.....	D14/375
D816,630	S	*	5/2018	Lee	.....	D14/126
D817,329	S	*	5/2018	Chu	.....	D14/374

\* cited by examiner

*Primary Examiner* — Michael A. Pratt  
(74) *Attorney, Agent, or Firm* — Birch, Stewart, Kolasch & Birch, LLP

(30) **Foreign Application Priority Data**

Sep. 29, 2016 (KR) ..... 30-2016-0047023  
(51) **LOC (11) Cl.** ..... **14-02**  
(52) **U.S. Cl.**  
USPC ..... **D14/377**  
(58) **Field of Classification Search**  
USPC ..... D14/371-375, 125-129, 336, 337;  
D20/10  
CPC ..... G09F 15/0025; G09F 15/0062; G09F 15/0068; G06F 1/16; G06F 1/1613; G06F 1/133308; G06F 1/1601; G06F 3/037; G06F 1/162; F16M 11/02; F16M 11/10; F16M 11/00; F16M 11/06; F16M 11/18; F16M 11/045; F16M 11/105; F16M 11/041; F16M 11/126; F16M 11/04; F16M 11/24; F16M 13/02; A47F 5/00  
See application file for complete search history.

(57) **CLAIM**

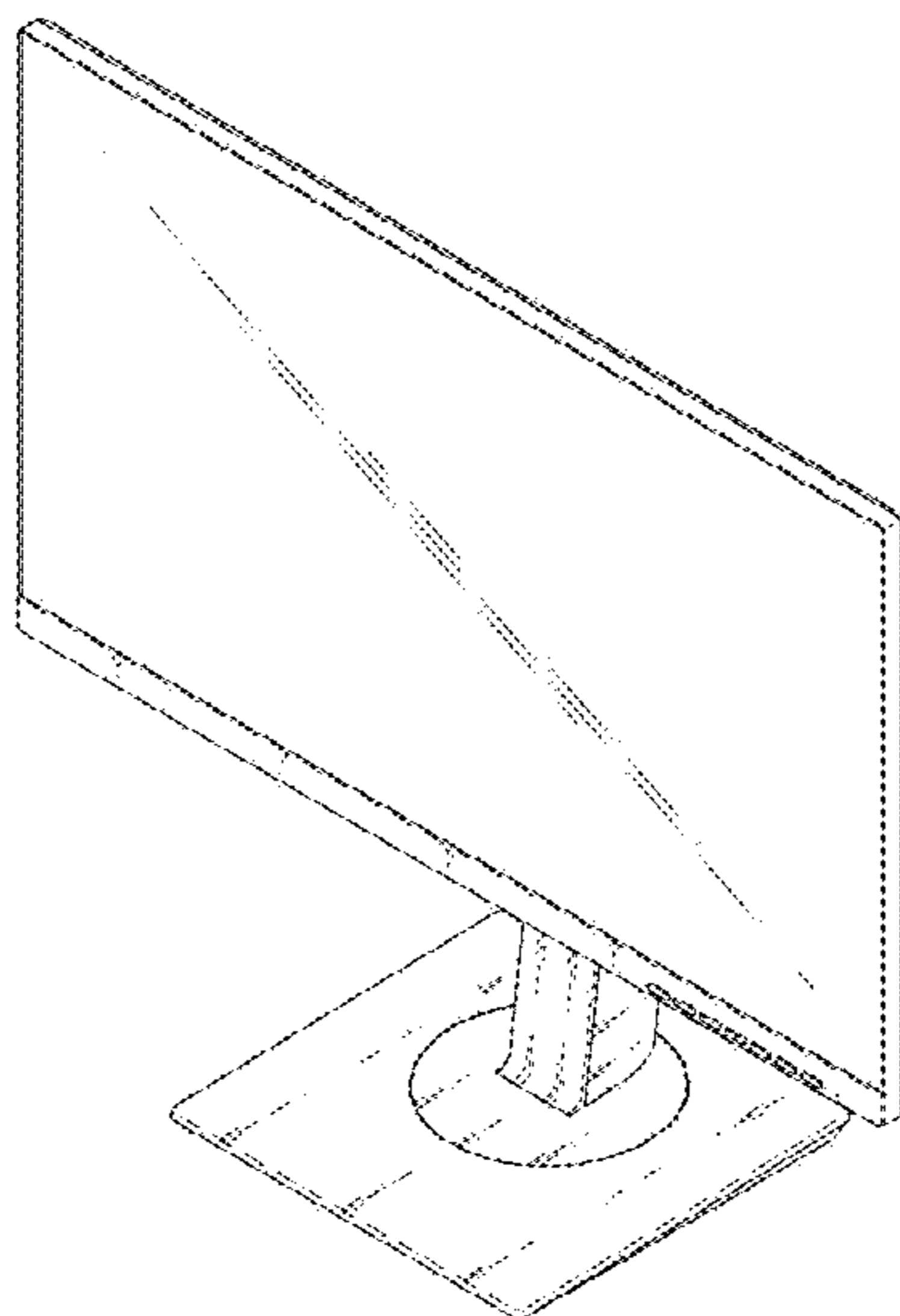
The ornamental design for a monitor data processing, as shown and described.

**DESCRIPTION**

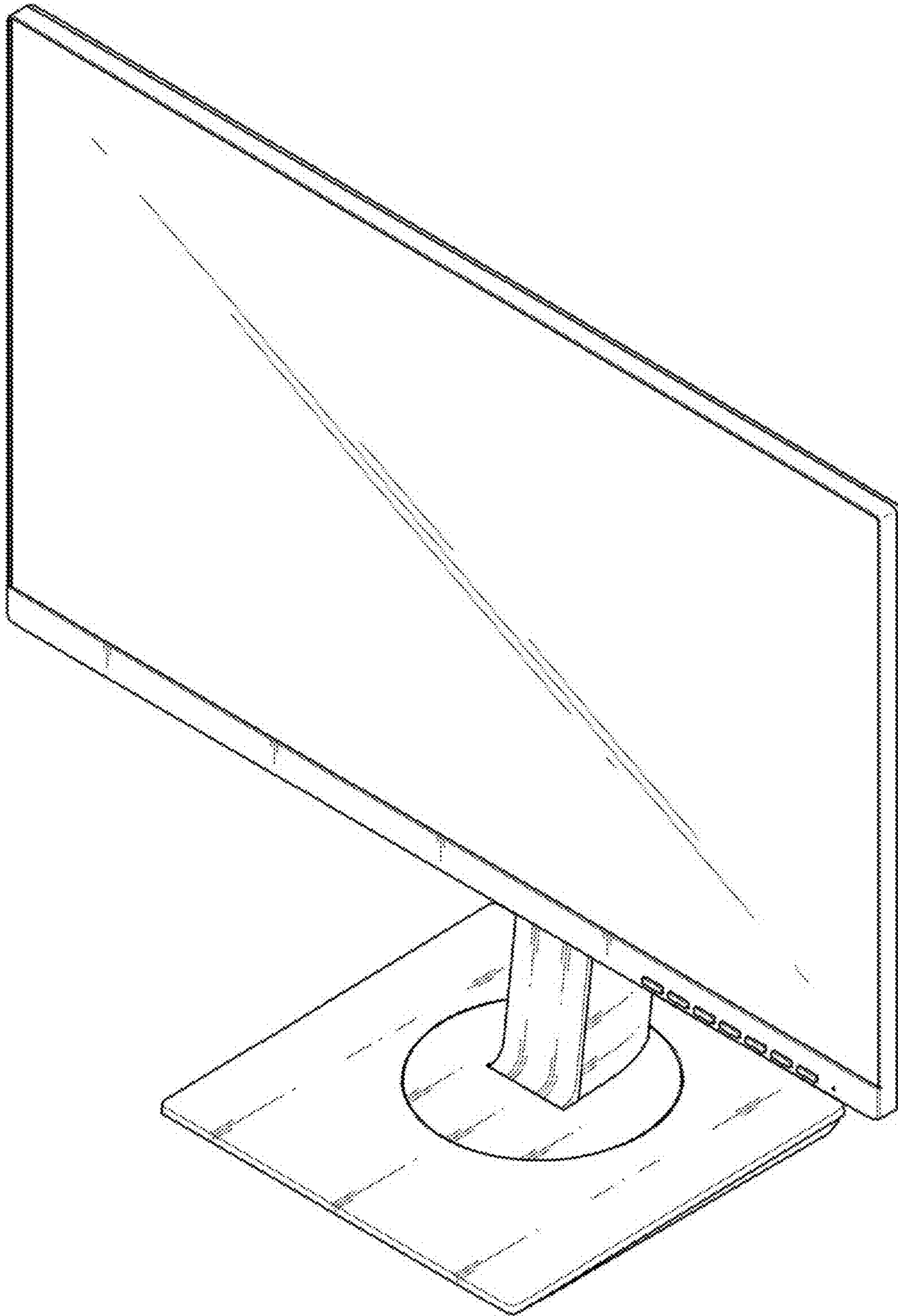
- 1. Monitor data processing
- 1.1 : Perspective
- 1.2 : Front
- 1.3 : Back
- 1.4 : Left
- 1.5 : Right
- 1.6 : Top
- 1.7 : Bottom

The present ornamental design is a combination of the shape and pattern of a “monitor data processing” as shown and described; the broken lines indicate unclaimed portions of the article that form no part of the claimed design.

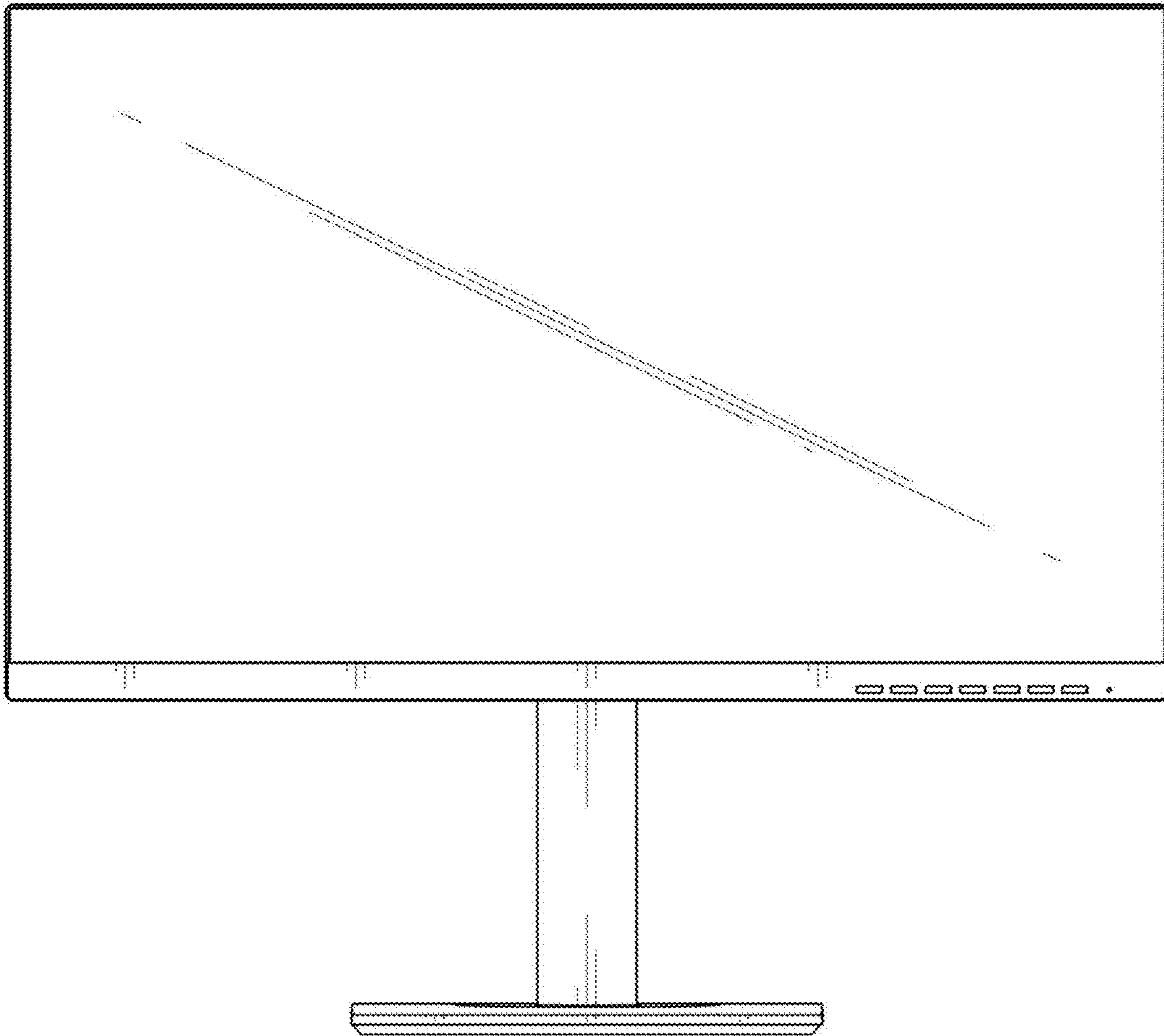
**1 Claim, 7 Drawing Sheets**



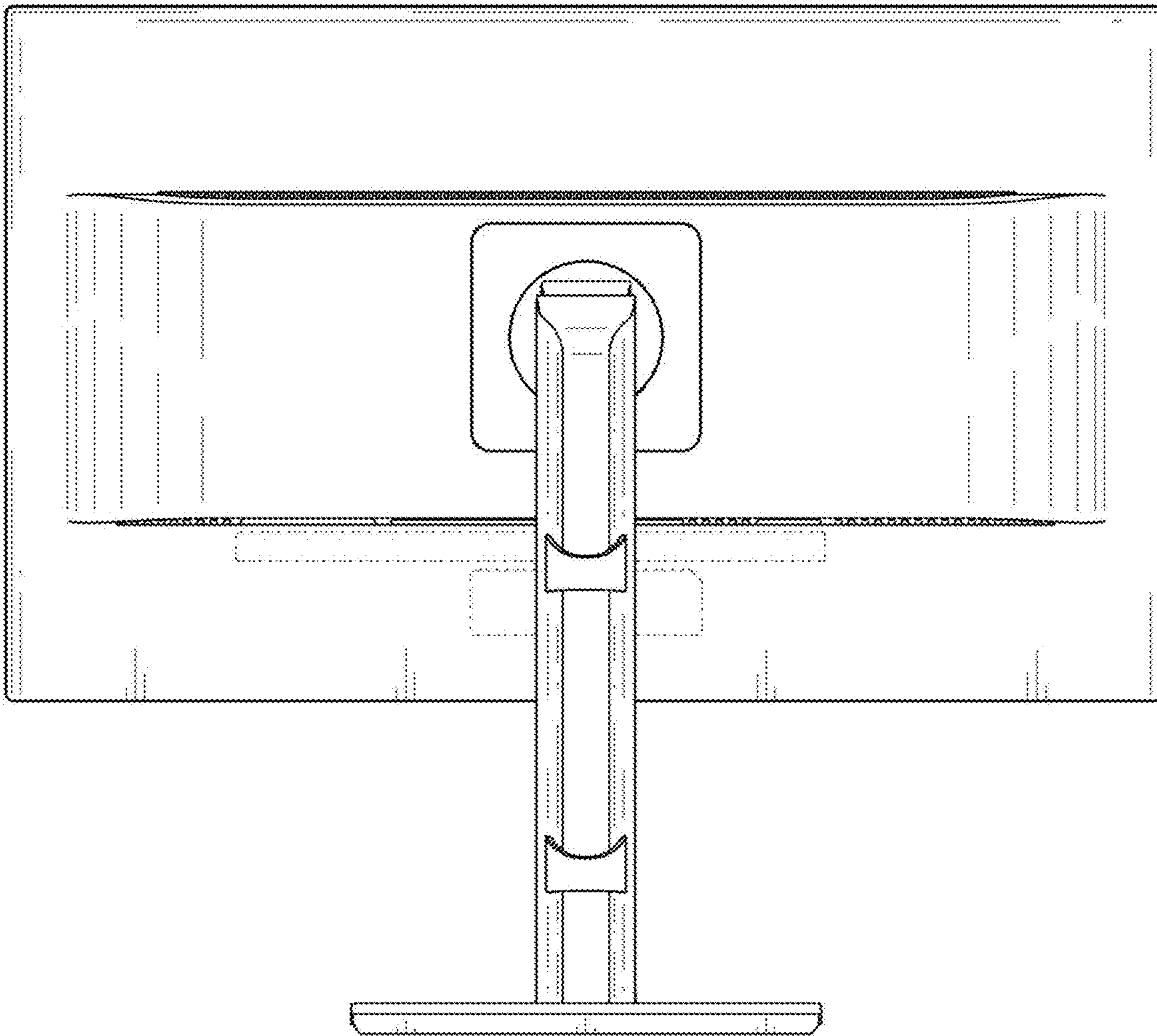
1.1



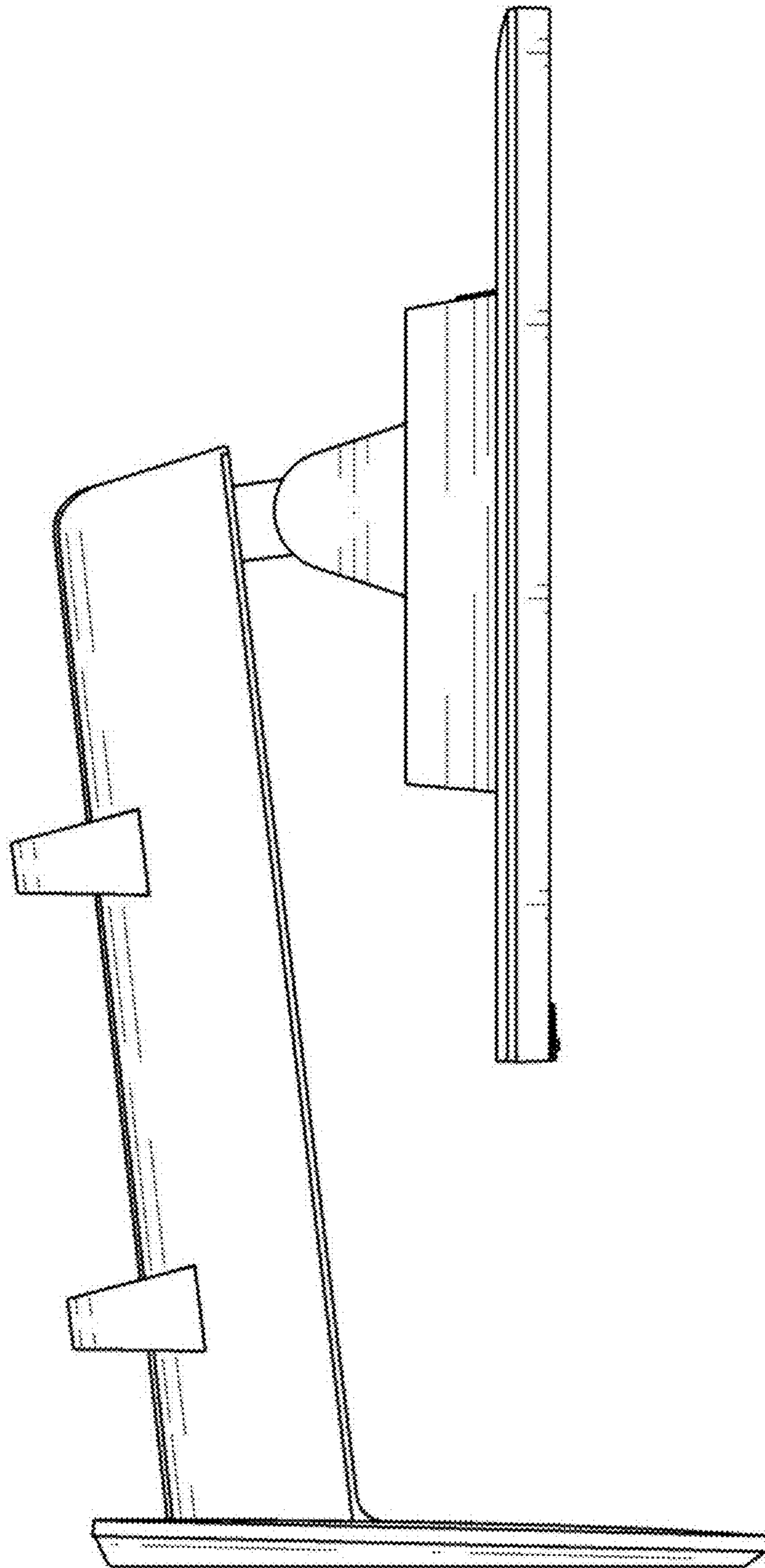
1.2



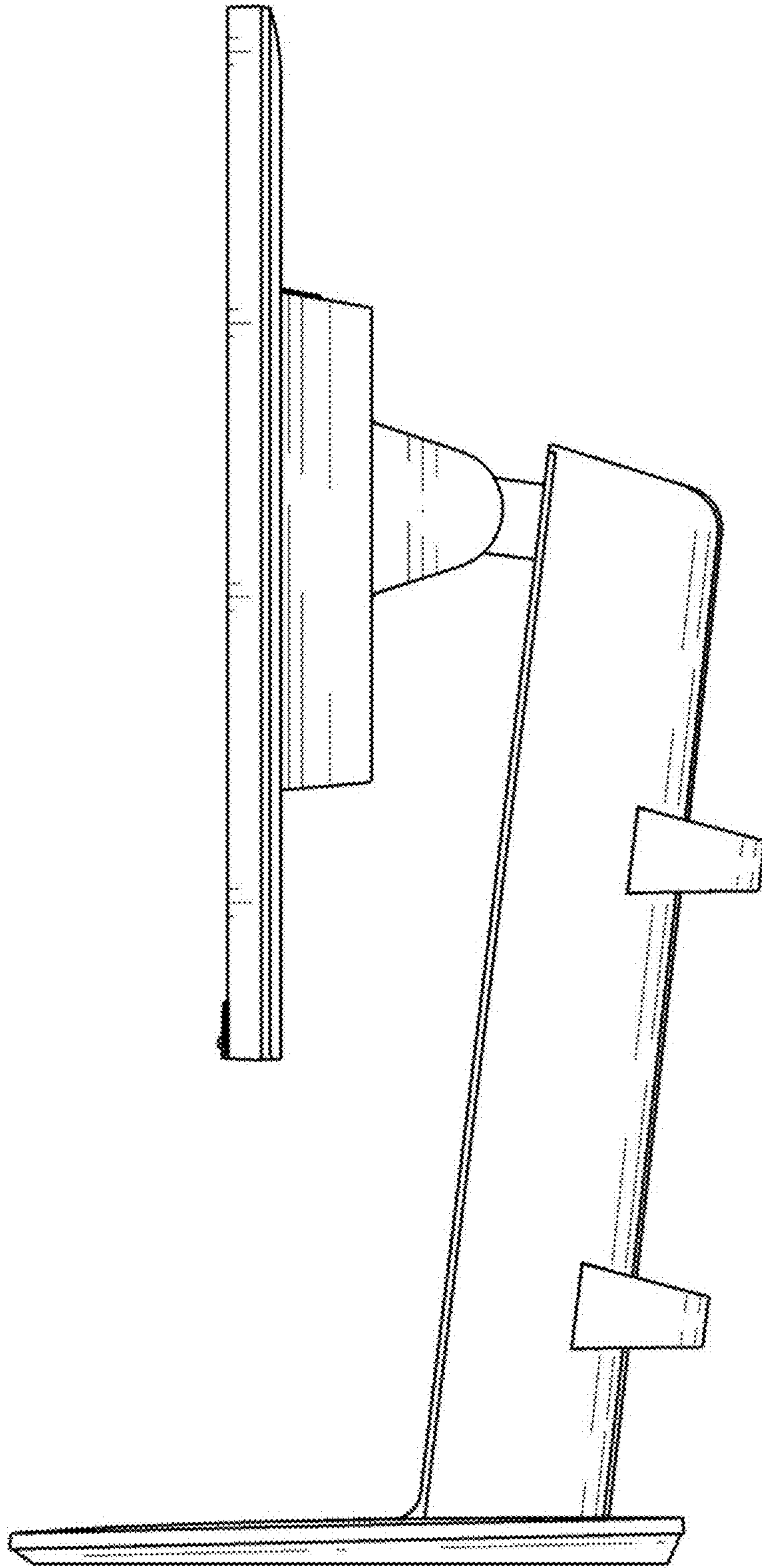
1.3



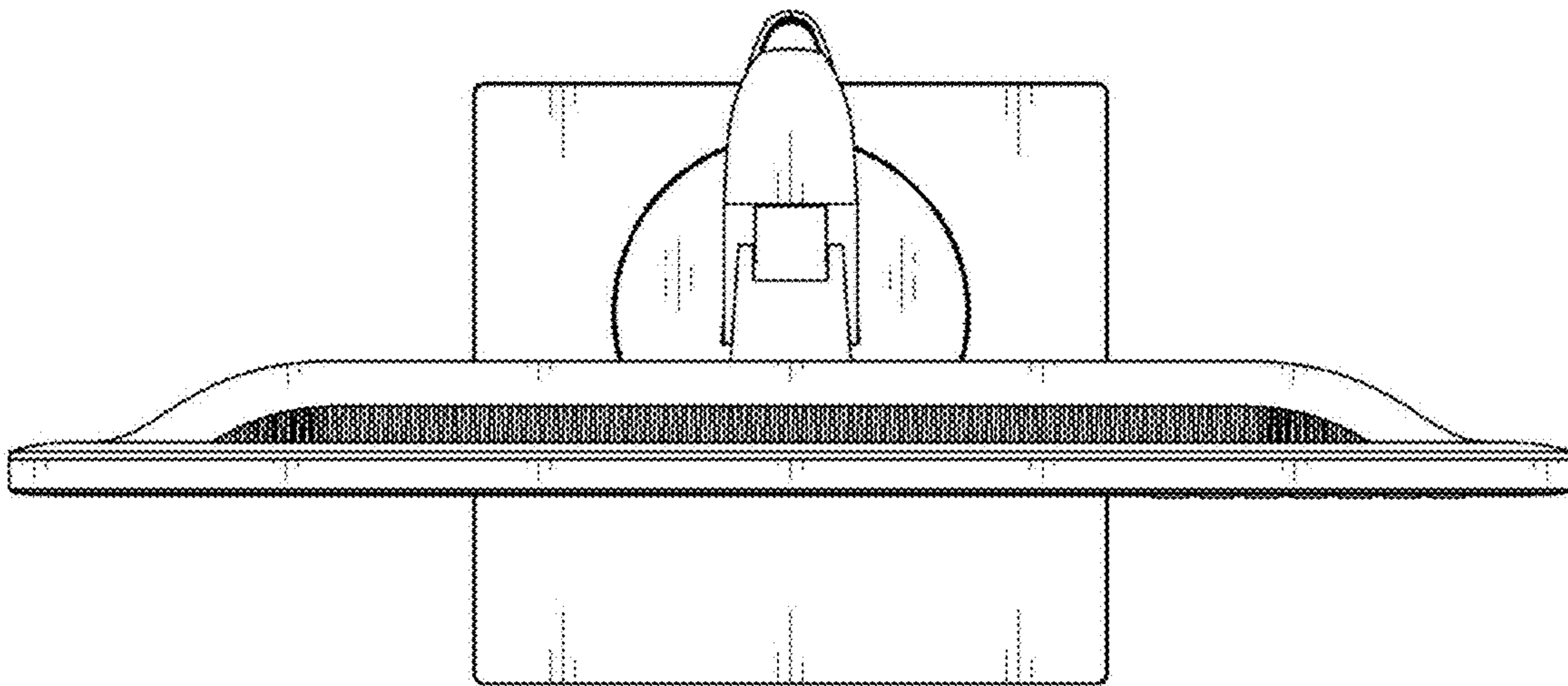
1.4



1.5



1.6



1.7

