



US00D827643S

(12) **United States Design Patent**
Jung et al.

(10) **Patent No.:** **US D827,643 S**

(45) **Date of Patent:** **** Sep. 4, 2018**

(54) **MONITOR FOR COMPUTER**

2320/0238; G02F 1/133305; H05K
5/0017; H05K 5/0217; H05K 1/028

See application file for complete search history.

(71) Applicant: **Samsung Electronics Co., Ltd.**,
Suwon-si (KR)

(56) **References Cited**

(72) Inventors: **Minjoon Jung**, Seoul (KR); **Taeyeon
Won**, Seoul (KR)

U.S. PATENT DOCUMENTS

(73) Assignee: **SAMSUNG ELECTRONICS CO.,
LTD.**, Gyeonggi-Do (KR)

D501,854 S *	2/2005	Vick	D14/375
D618,682 S	6/2010	Haase et al.	
D719,116 S *	12/2014	Bang	D14/126
D725,061 S *	3/2015	Kim	D14/126
D735,194 S *	7/2015	Kim	D14/374
D740,241 S *	10/2015	Kim	D14/126
D740,242 S *	10/2015	Park	D14/126
D743,705 S *	11/2015	Cisler, II	D6/300
D755,143 S *	5/2016	Moon	D14/126
D763,213 S *	8/2016	Ann	D14/126
D768,629 S *	10/2016	Bae	D14/374

(Continued)

(**) Term: **15 Years**

(21) Appl. No.: **29/594,919**

(22) Filed: **Feb. 23, 2017**

FOREIGN PATENT DOCUMENTS

(30) **Foreign Application Priority Data**

Aug. 31, 2016 (KR) 30-2016-0042786

Aug. 31, 2016 (KR) 30-2016-0042798

EM 0022666350002 8/2013
KR 300752298 S 7/2014

Primary Examiner — Freda S Nunn

(74) *Attorney, Agent, or Firm* — Cantor Colburn LLP

(51) **LOC (11) Cl.** **14-02**

(52) **U.S. Cl.**
USPC **D14/374**

(57) **CLAIM**

The ornamental design for a monitor for computer, as shown and described.

(58) **Field of Classification Search**

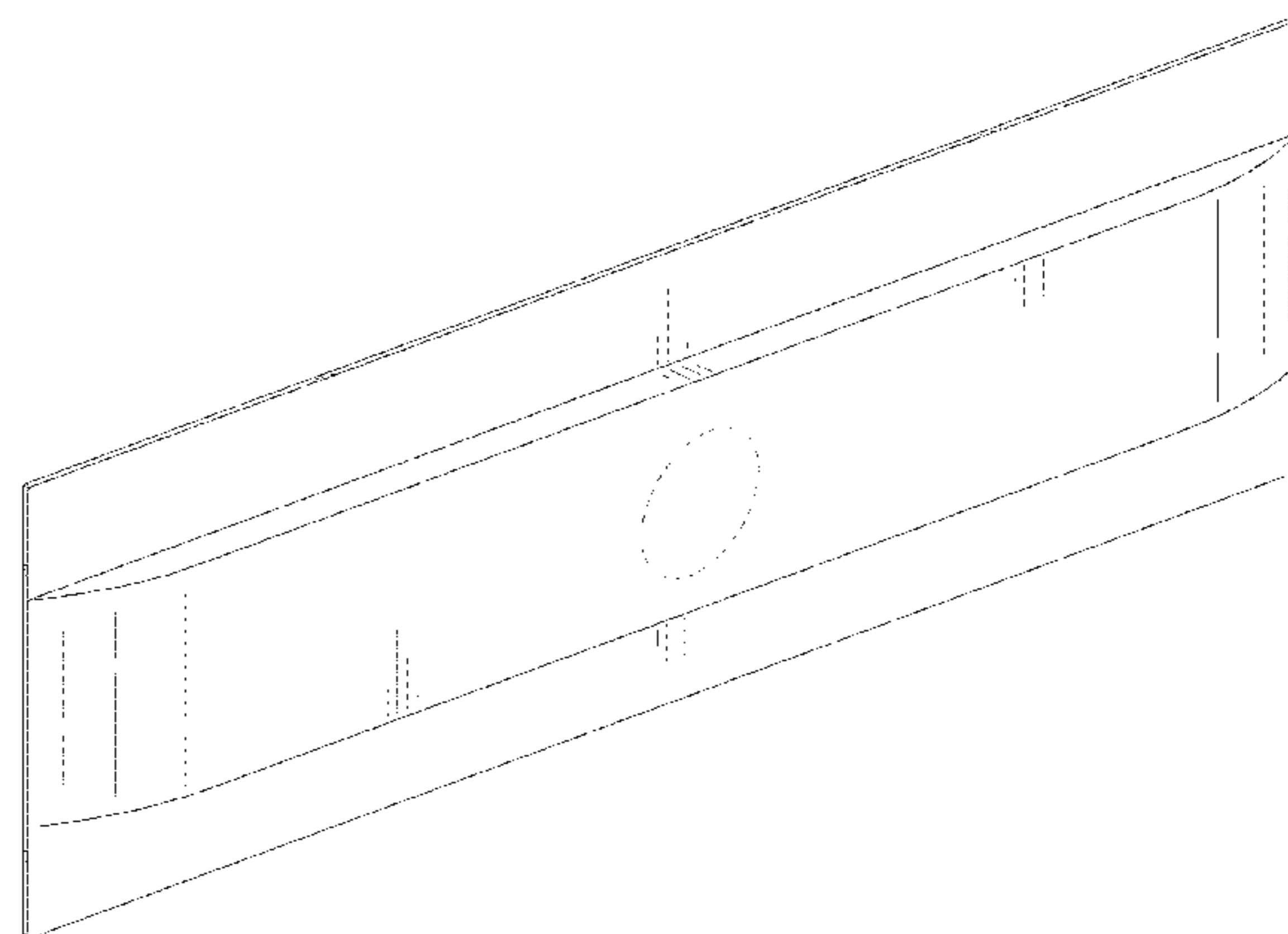
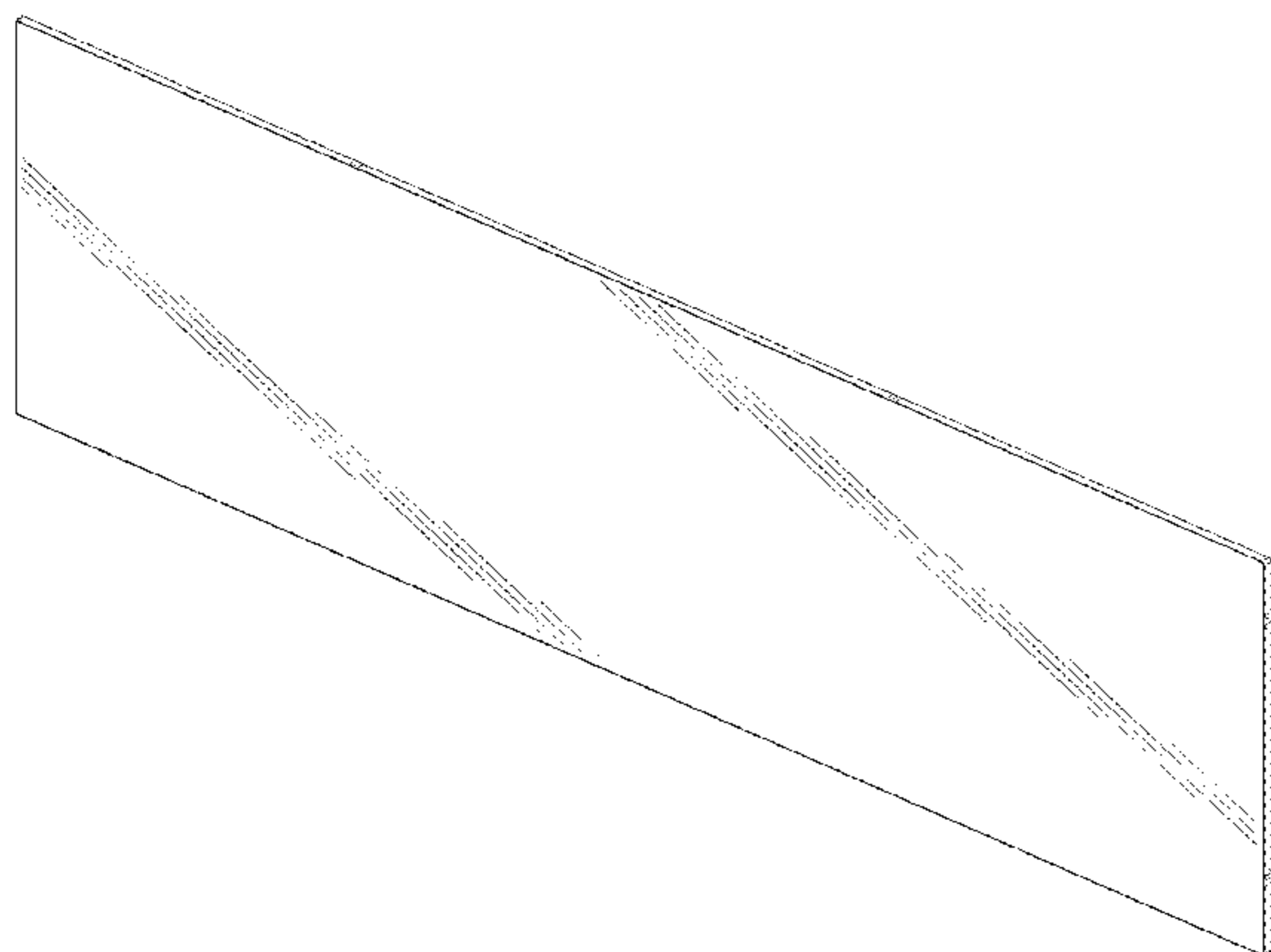
USPC D14/371–375, 125–129, 336, 337;
D6/300, 308; D19/113, 114; D20/10

CPC G09F 15/0025; G09F 15/0062; G09F
15/0068; G06F 1/16; G06F 1/1613; G06F
1/133308; G06F 1/1601; G06F 3/037;
G06F 1/162; G06F 1/1626; G06F 1/1652;
G06F 1/1656; F16M 11/02; F16M 11/10;
F16M 11/00; F16M 11/06; F16M 11/18;
F16M 11/045; F16M 11/105; F16M
11/041; F16M 11/126; F16M 11/04;
F16M 11/24; F16M 13/02; A47F 5/00;
G09G 2380/02; G09G 2340/0464; G09G

DESCRIPTION

FIG. 1 is a front perspective view of a monitor for computer, showing our new design;
FIG. 2 is a front view thereof;
FIG. 3 is a rear view thereof;
FIG. 4 is a left side view thereof;
FIG. 5 is a right side view thereof;
FIG. 6 is a top view thereof;
FIG. 7 is a bottom view thereof;
FIG. 8 is a rear perspective view thereof; and,
FIG. 9 is another front view thereof in an environment of use.

(Continued)



The broken lines illustrating portions of the monitor for computer form no part of the claimed design.

1 Claim, 9 Drawing Sheets

(56)

References Cited

U.S. PATENT DOCUMENTS

2014/0355805 A1* 12/2014 Park H04N 5/64
381/333
2015/0035812 A1* 2/2015 Shin G09G 3/3688
345/204
2015/0192731 A1* 7/2015 Kim G02B 6/0011
362/628
2016/0062184 A1* 3/2016 Wu G02F 1/133608
349/58
2016/0183399 A1* 6/2016 Lee G02F 1/133308
361/752
2016/0216432 A1* 7/2016 Kim G02B 6/0035
2016/0216435 A1* 7/2016 Park G02B 6/0078

* cited by examiner

FIG. 1

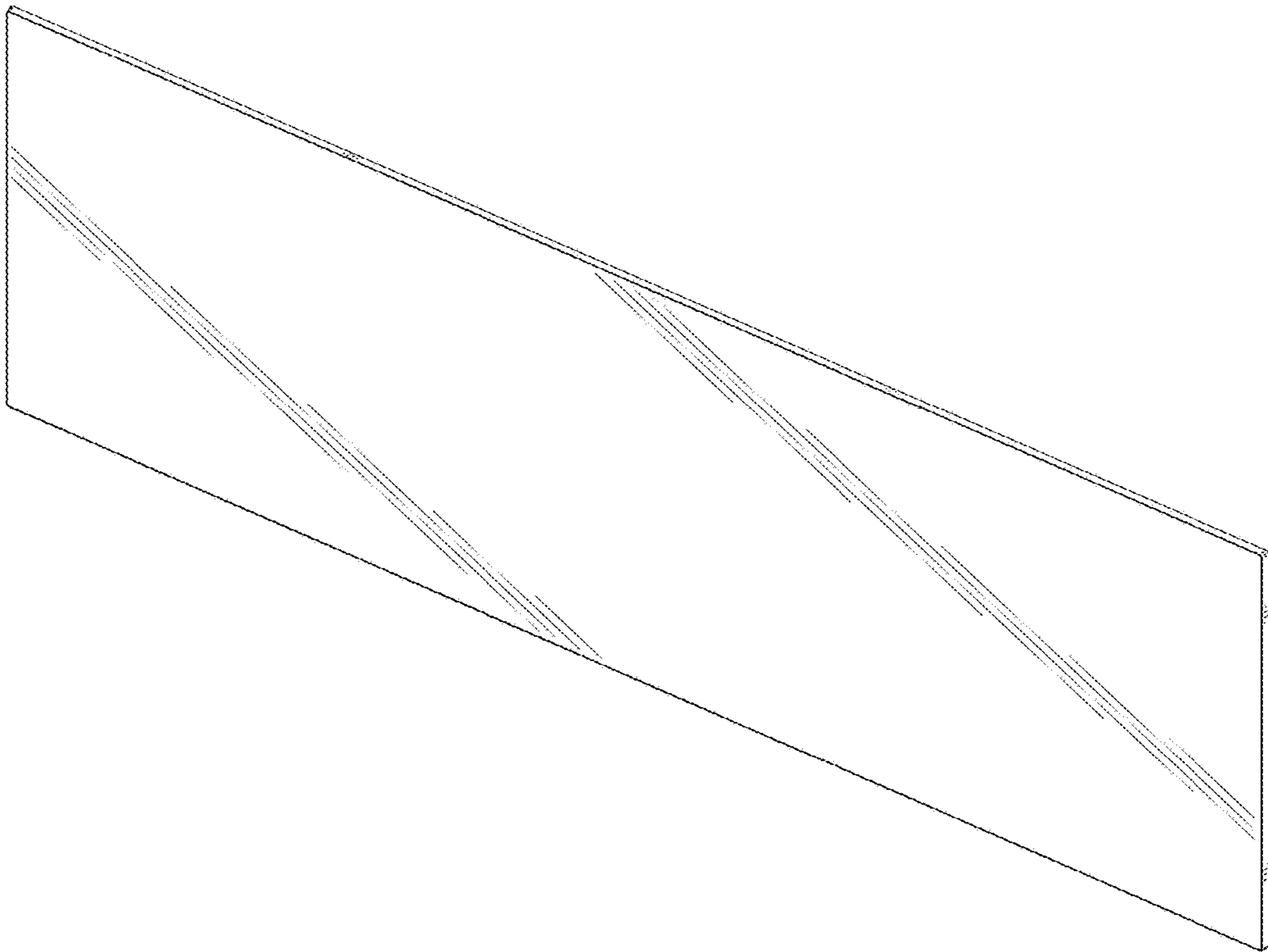


FIG. 2

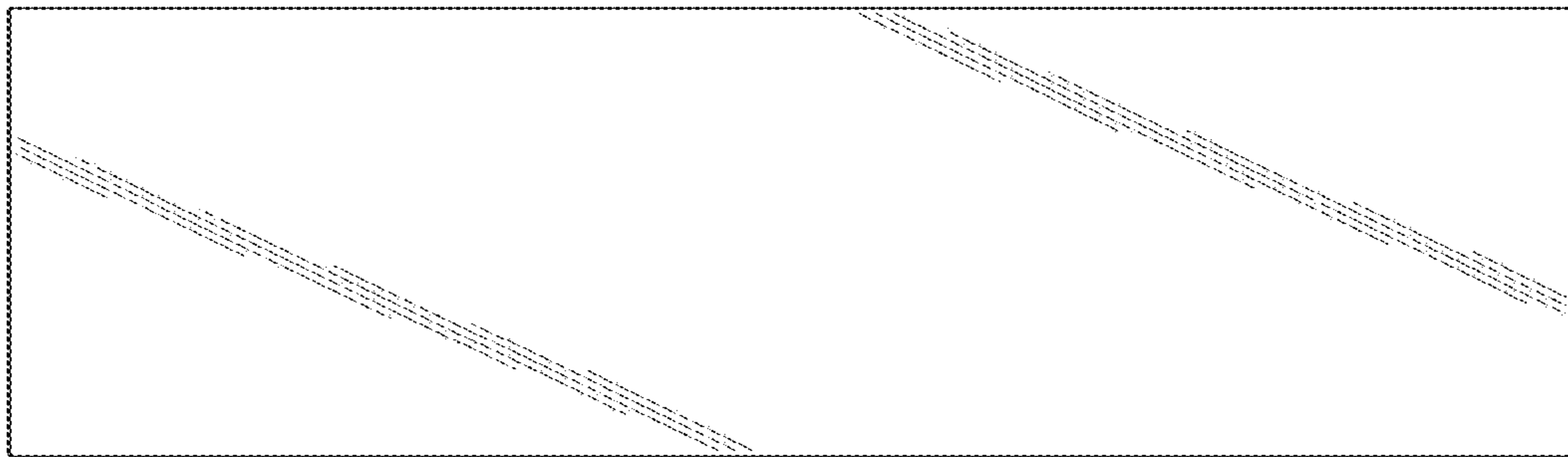


FIG. 3

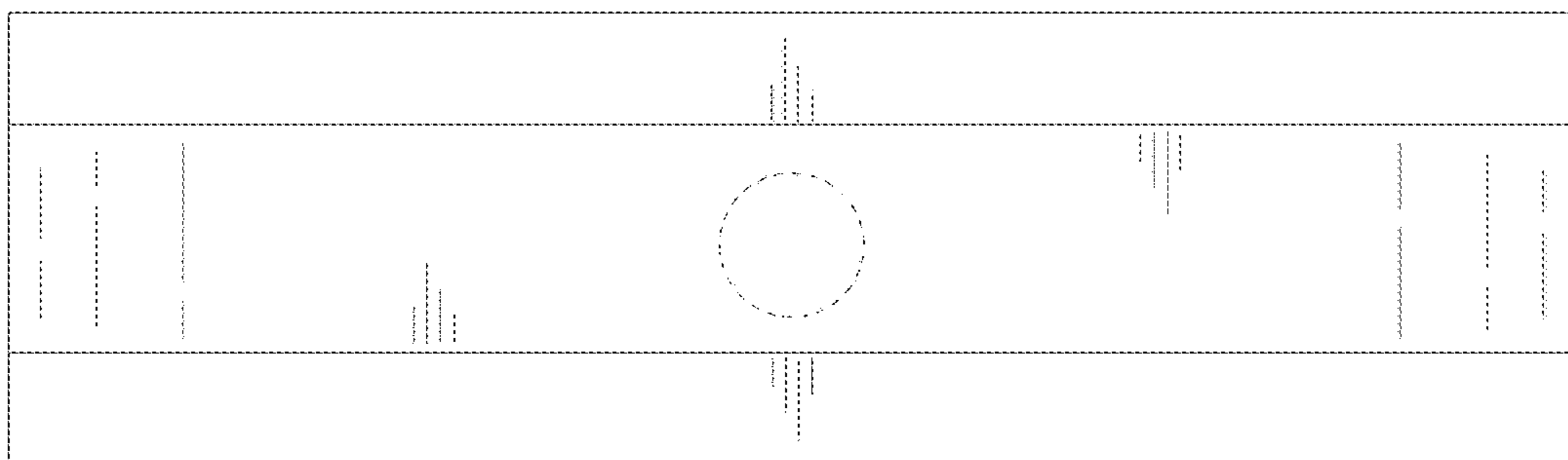


FIG. 4

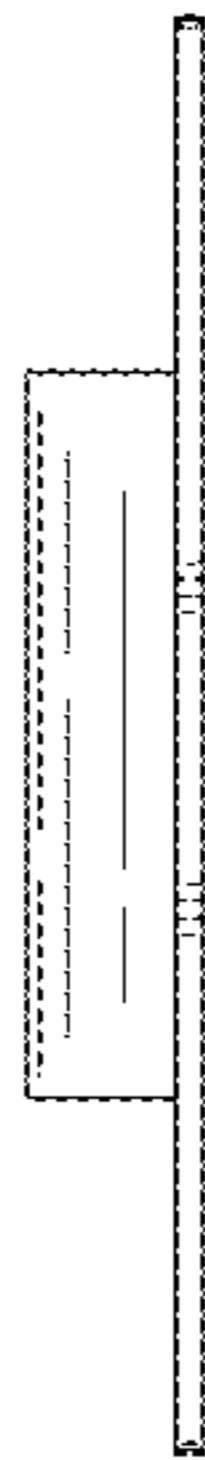


FIG. 5

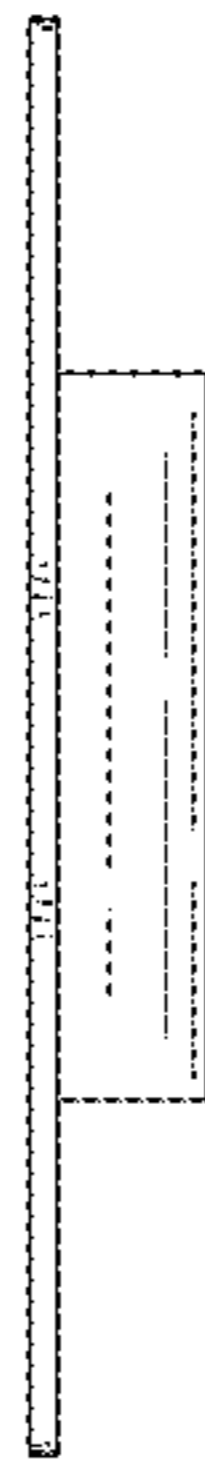


FIG. 6

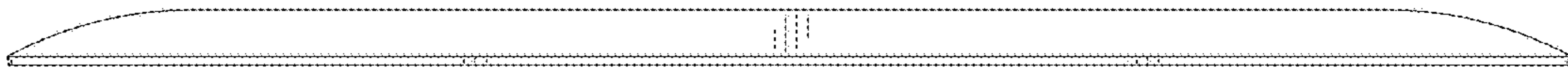


FIG. 7

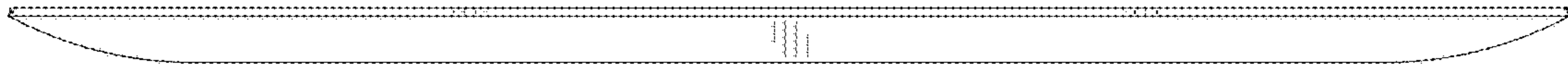


FIG. 8

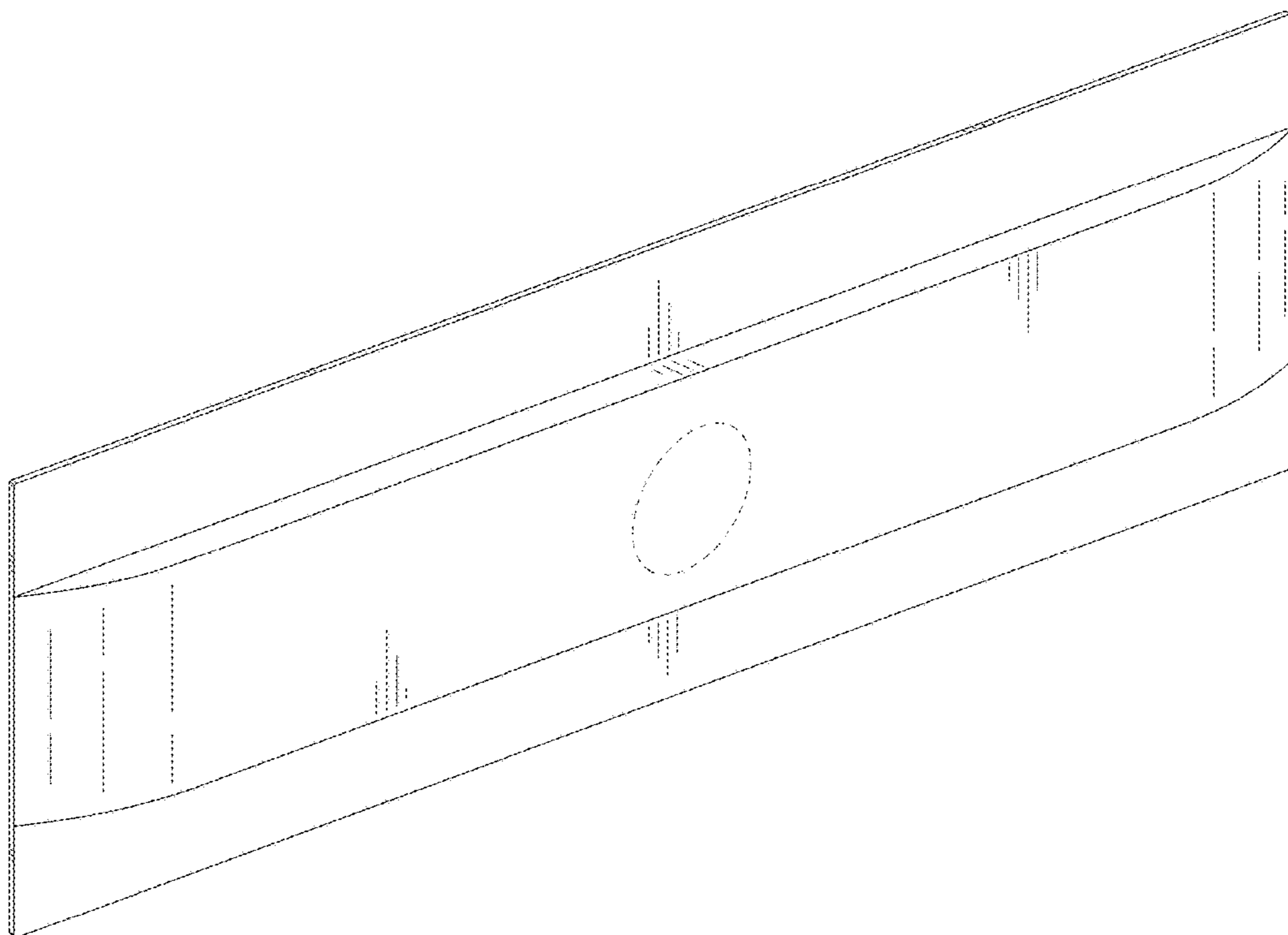


FIG. 9

