



US00D827642S

(12) **United States Design Patent**
Liu et al.

(10) **Patent No.:** **US D827,642 S**
(45) **Date of Patent:** **** Sep. 4, 2018**

(54) **DISPLAY DEVICE**

(71) Applicant: **HTC Corporation**, Taoyuan (TW)

(72) Inventors: **Chien-Hsin Liu**, Taoyuan (TW);
Sheng-Cherng Lin, Taoyuan (TW);
Chang-Hua Wei, Taoyuan (TW)

(73) Assignee: **HTC CORPORATION**, Taoyuan (TW)

(**) Term: **15 Years**

(21) Appl. No.: **29/605,157**

(22) Filed: **May 24, 2017**

(51) **LOC (11) Cl.** **14-02**

(52) **U.S. Cl.**
USPC **D14/372**

(58) **Field of Classification Search**
USPC D14/372, 496, 432, 371, 125, 126, 129,
D14/299; D16/300–342; 351/158, 153,
351/144; 345/7–9, 905; 455/344;
348/115, 53, 121, 739
CPC G02B 27/017; G02B 27/0158; G02B
27/0161; G02B 27/0181; G02B 27/0185;
G02B 27/0189
See application file for complete search history.

(56) **References Cited**

U.S. PATENT DOCUMENTS

D738,374 S *	9/2015	Lucky	D14/372
9,599,822 B2 *	3/2017	Yoon	G02B 3/08
D791,127 S *	7/2017	Sullivan	D14/372
D791,129 S *	7/2017	Sullivan	D14/372
D792,399 S *	7/2017	Thomas	D14/372
9,706,286 B1 *	7/2017	Patel	H04R 1/105
D800,117 S *	10/2017	Yee	D14/372
9,776,084 B2 *	10/2017	Allin	A63F 13/26

D801,970 S *	11/2017	Sullivan	D14/372
9,810,911 B2 *	11/2017	Miller	F16M 13/00
9,832,561 B2 *	11/2017	Morris	H04R 1/1066
9,837,043 B1 *	12/2017	Patel	G09G 5/006
9,846,483 B2 *	12/2017	Petrov	G06F 3/015
D807,354 S *	1/2018	Yee	D14/372
9,857,596 B2 *	1/2018	Drinkwater	G02B 27/0176
D810,081 S *	2/2018	Lin	D14/372
D810,743 S *	2/2018	Yee	D14/372
9,927,618 B2 *	3/2018	Allin	G02B 27/0176

* cited by examiner

Primary Examiner — Austin Murphy

(74) *Attorney, Agent, or Firm* — Birch, Stewart, Kolasch & Birch, LLP

(57) **CLAIM**

The ornamental design for display device, as shown and described.

DESCRIPTION

FIG. 1 is a front perspective view of a display device, such as a head mounted display, a virtual reality display, an augmented reality display, or a mixed reality display, in accordance with our new design;

FIG. 2 is a front view thereof;

FIG. 3 is a rear view thereof;

FIG. 4 is a left side view thereof;

FIG. 5 is a right side view thereof;

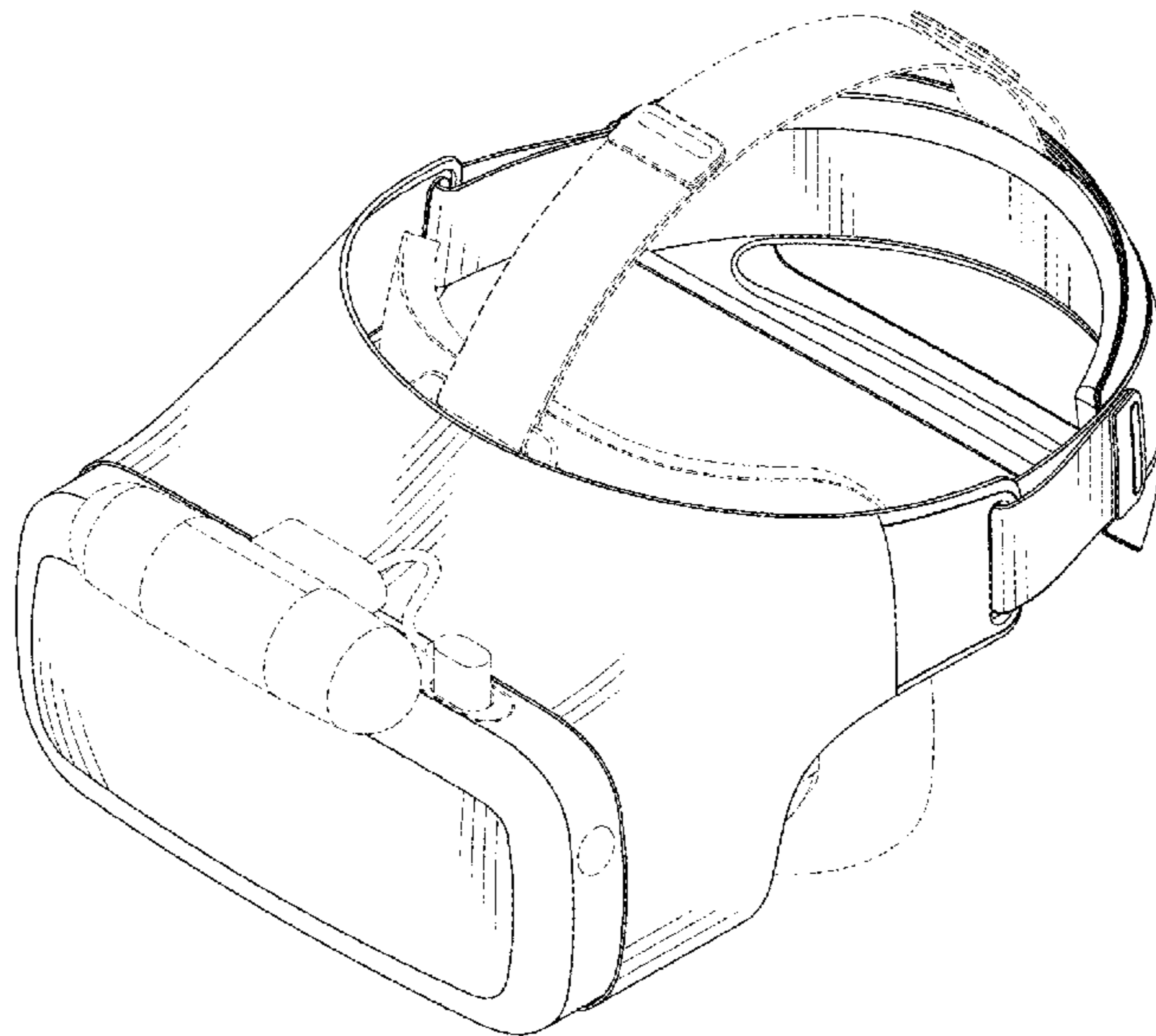
FIG. 6 is a top plan view thereof;

FIG. 7 is a bottom plan view thereof; and,

FIG. 8 is a rear perspective view thereof.

The broken lines immediately adjacent the claimed areas represent the bounds of the claimed design while all other broken lines are directed to environment and are for illustrative purposes only. The broken lines form no part of the claimed design.

1 Claim, 8 Drawing Sheets



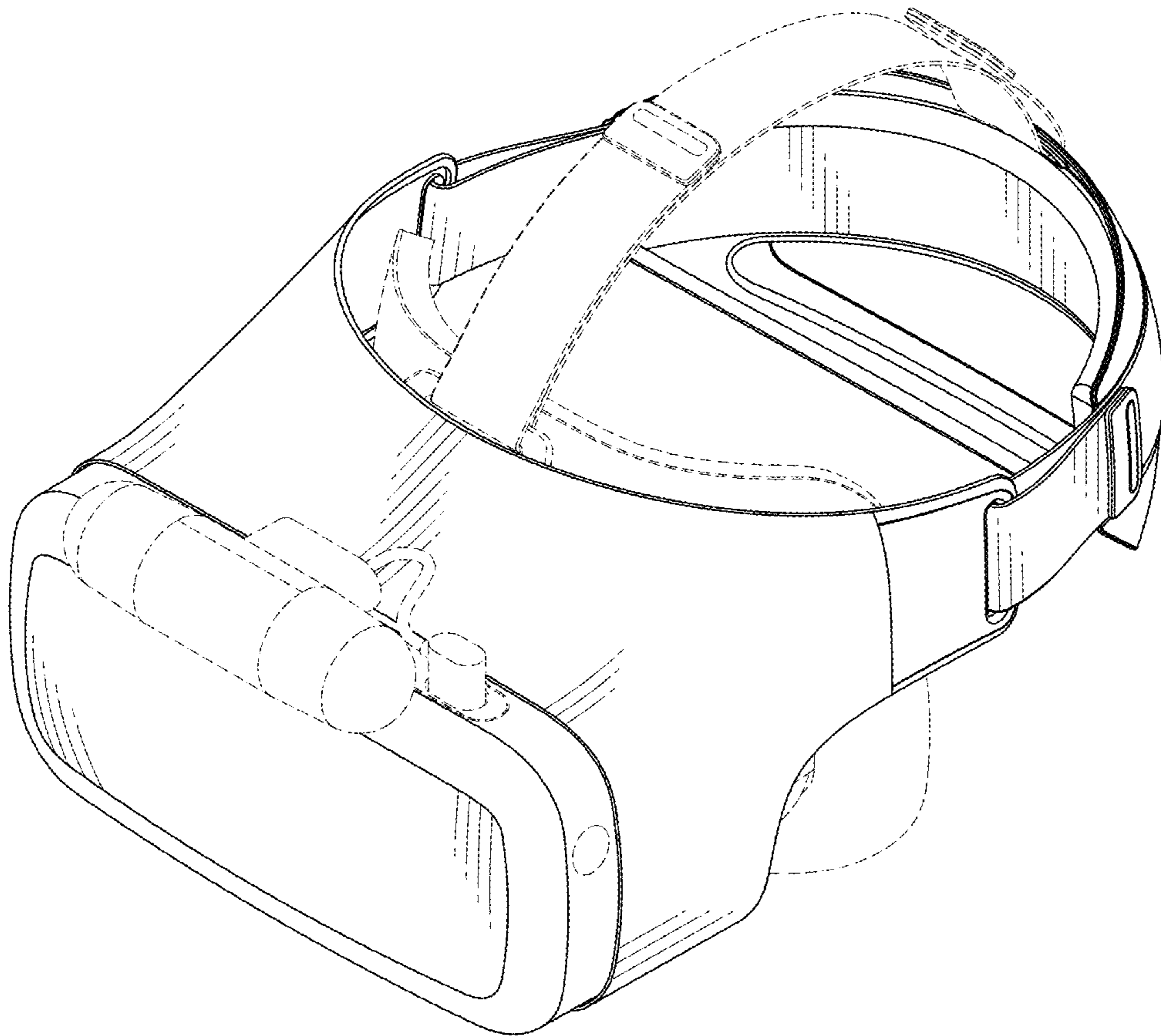


FIG. 1

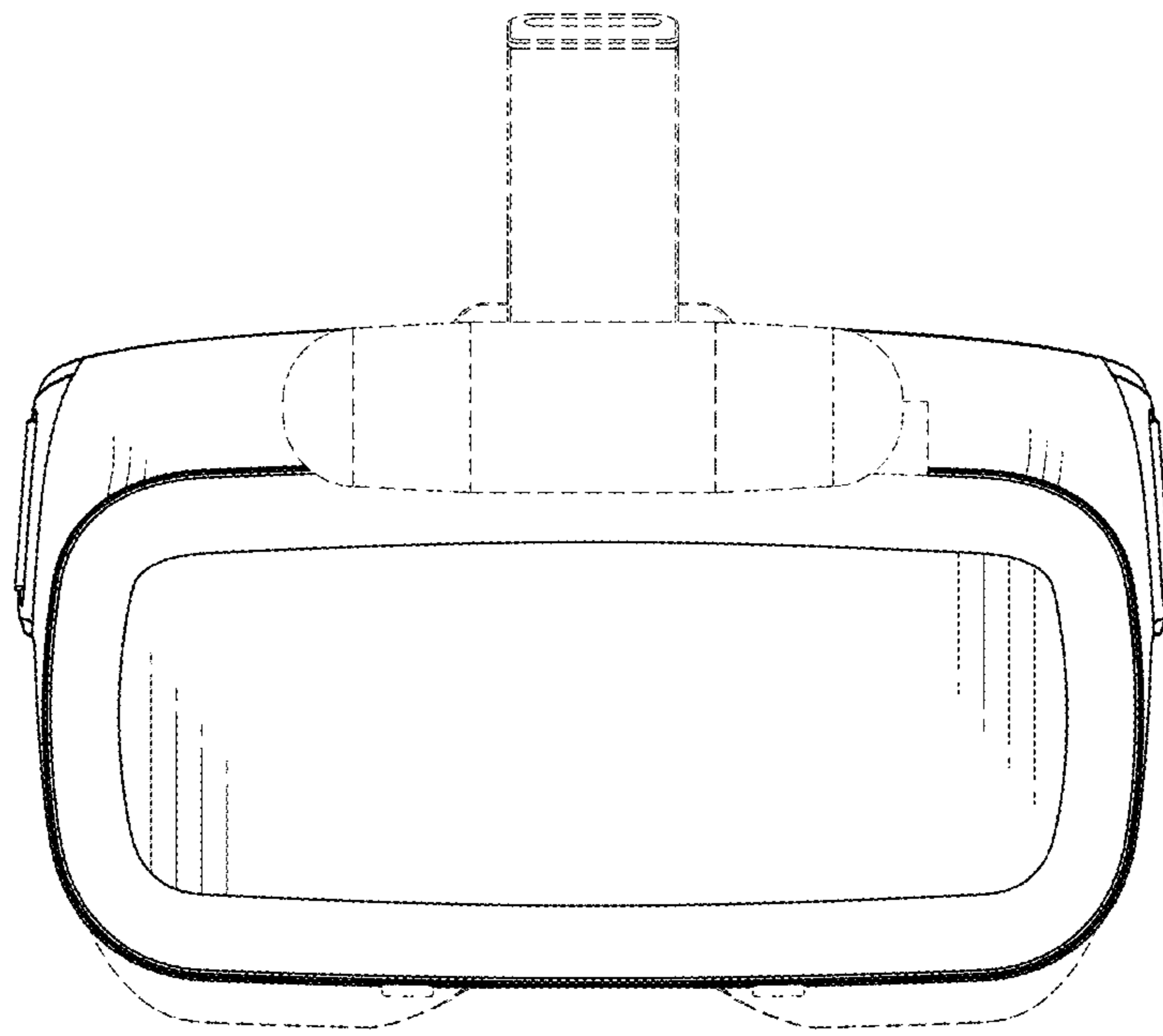


FIG. 2

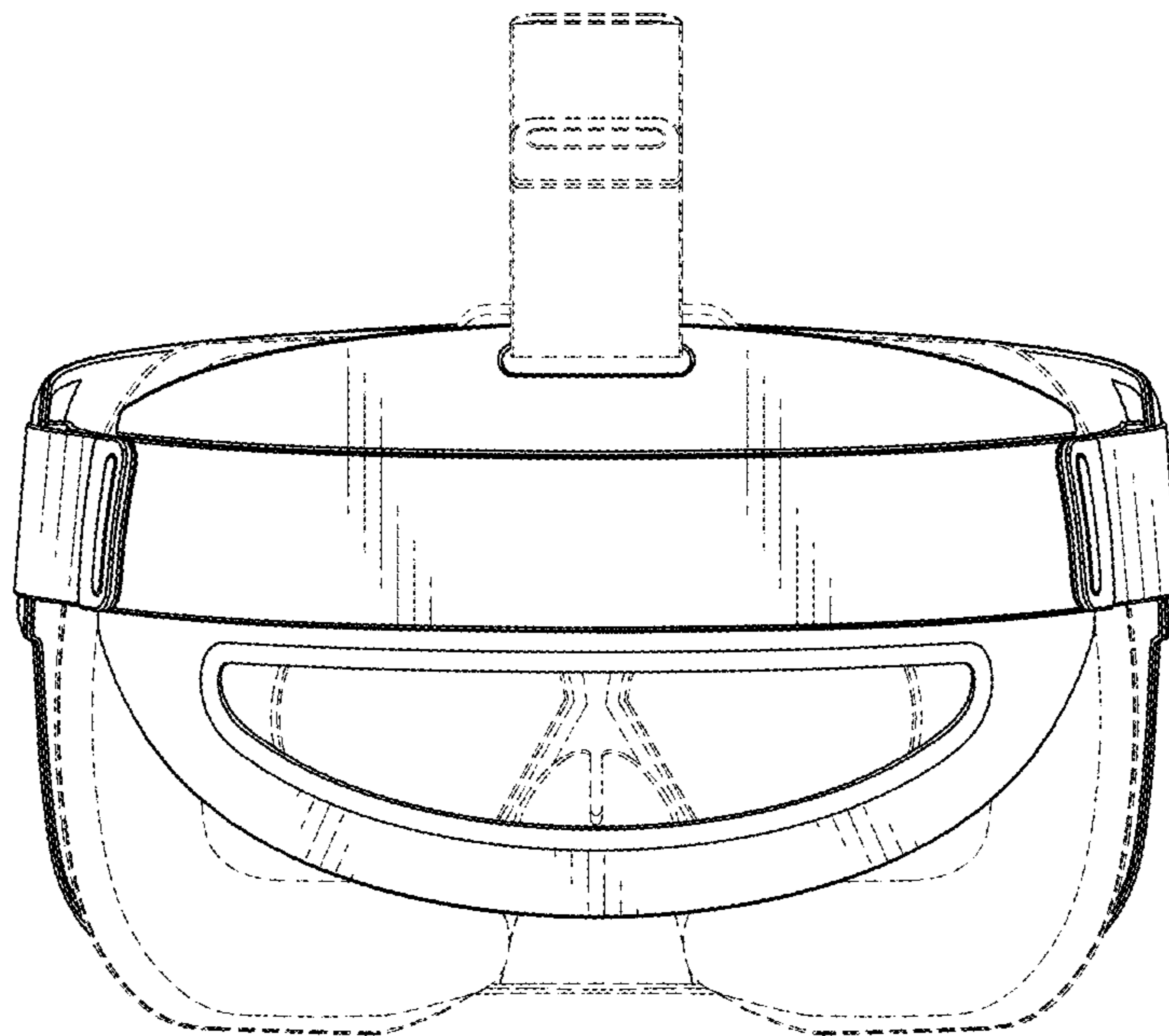


FIG. 3

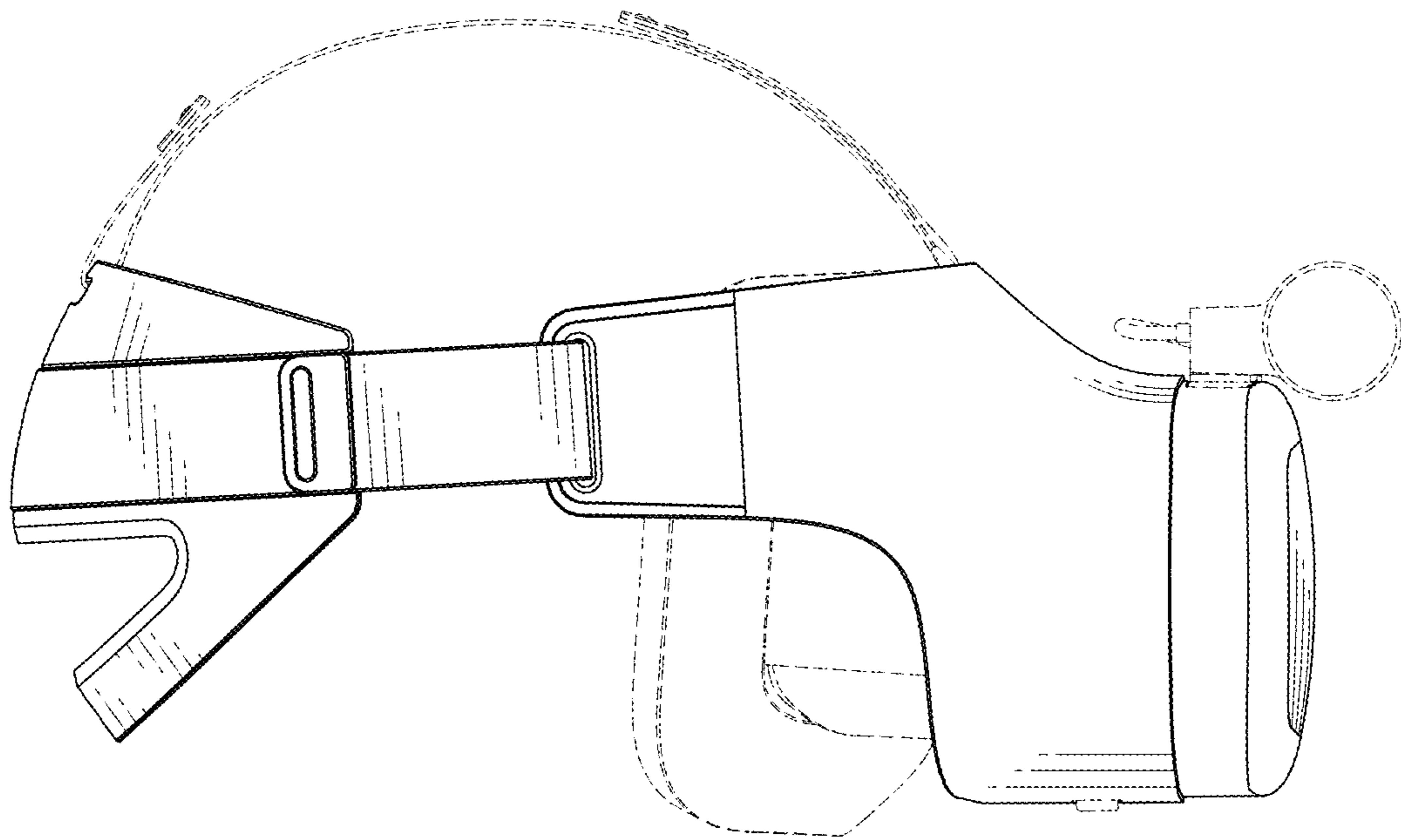


FIG. 4

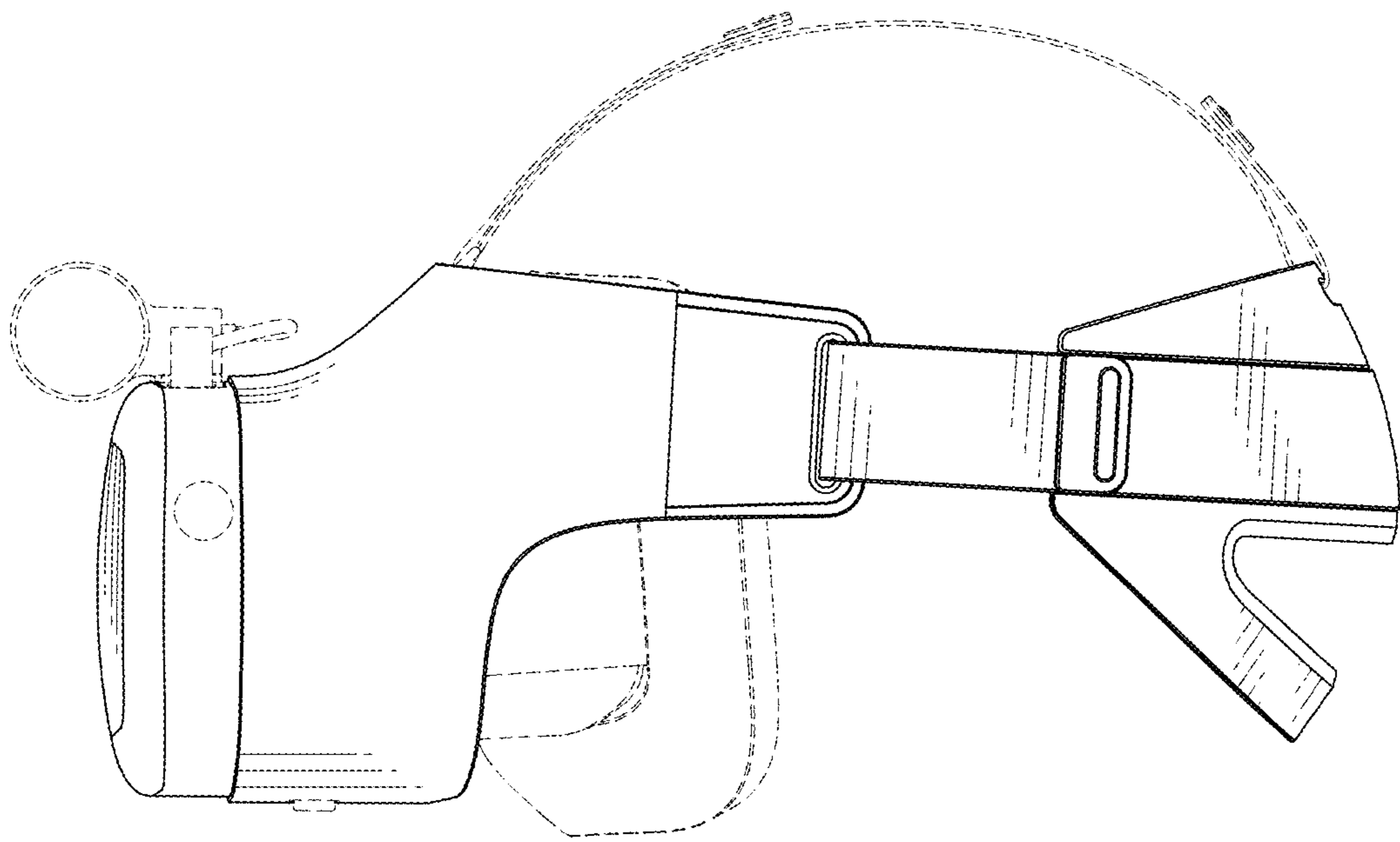


FIG. 5

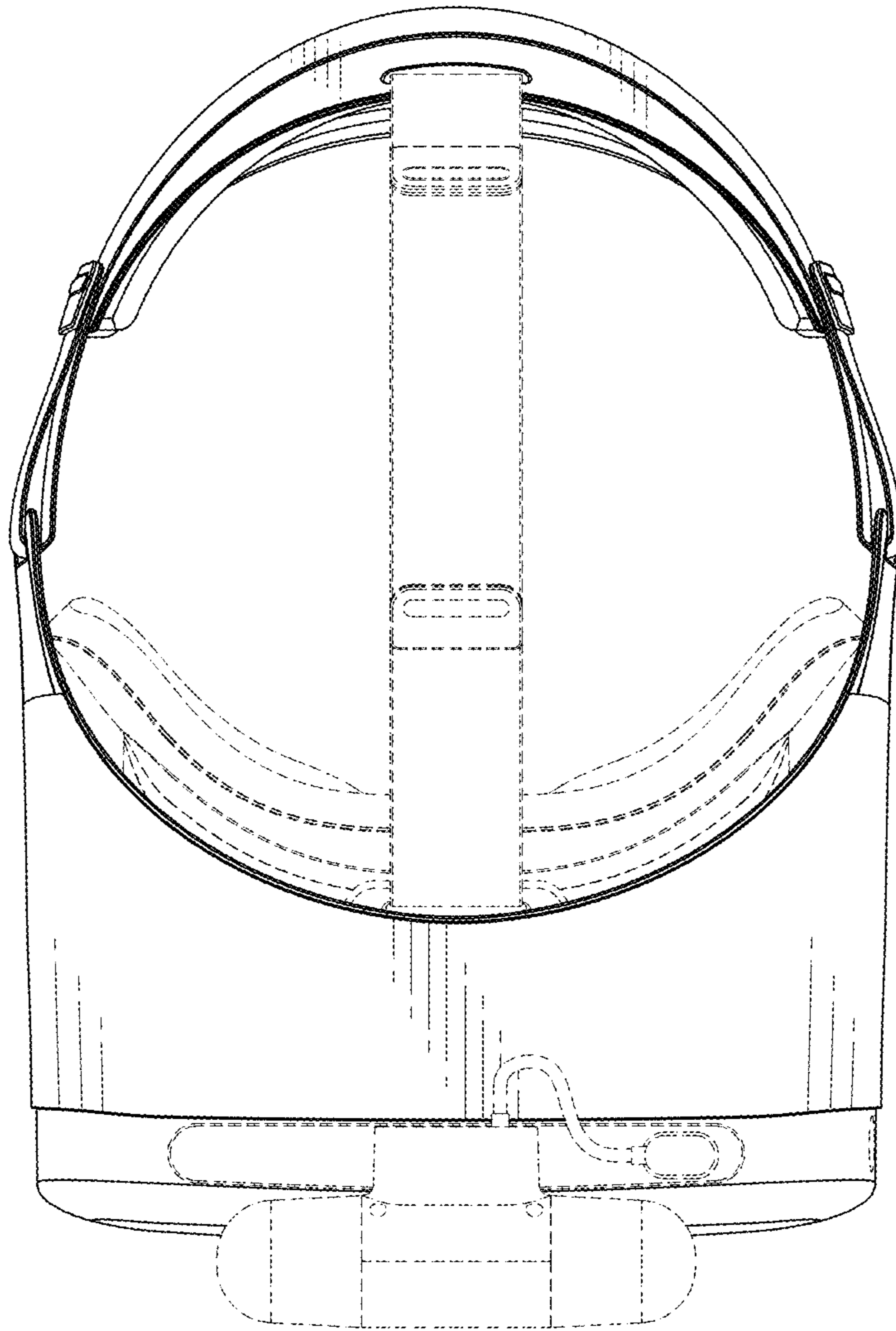


FIG. 6

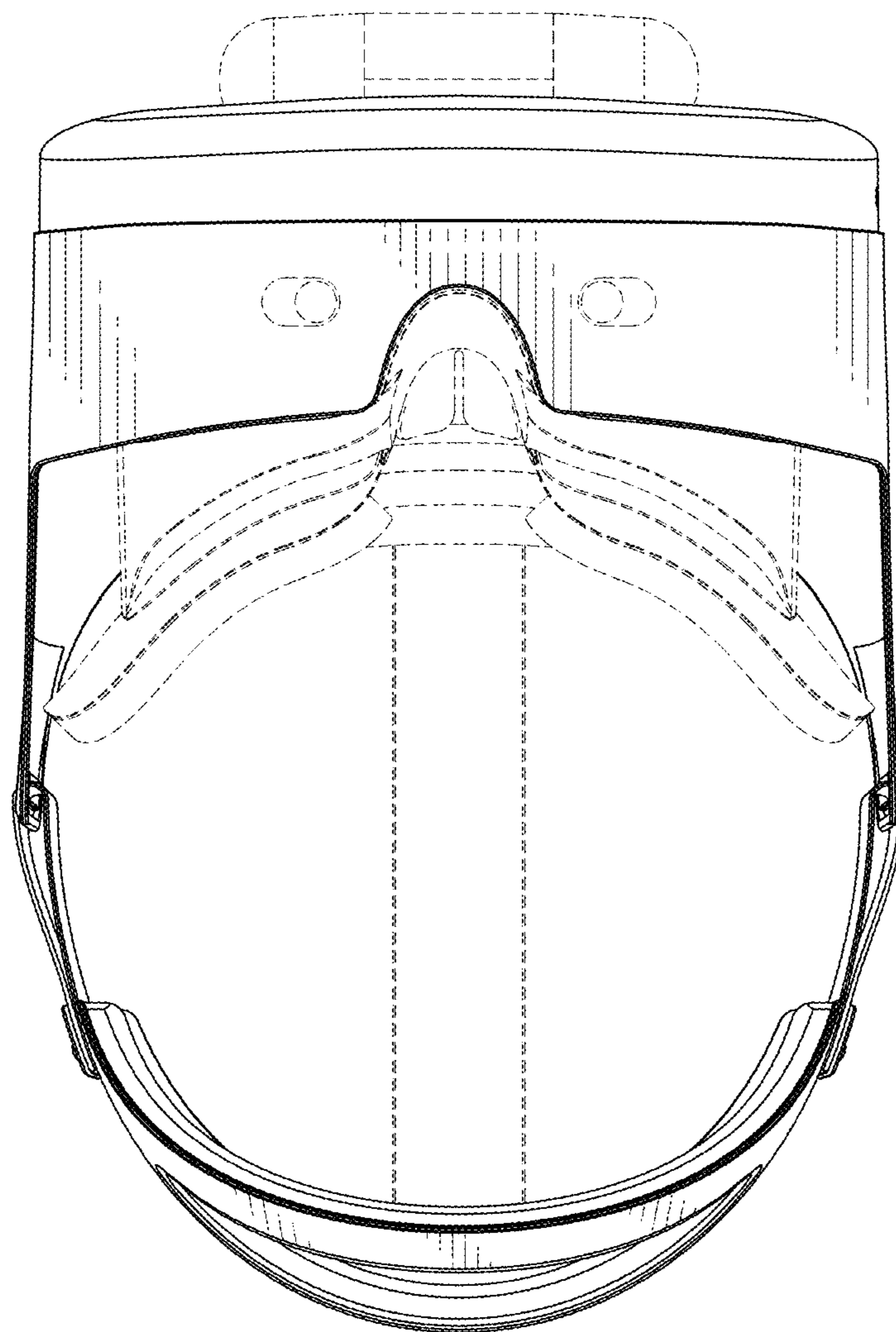


FIG. 7

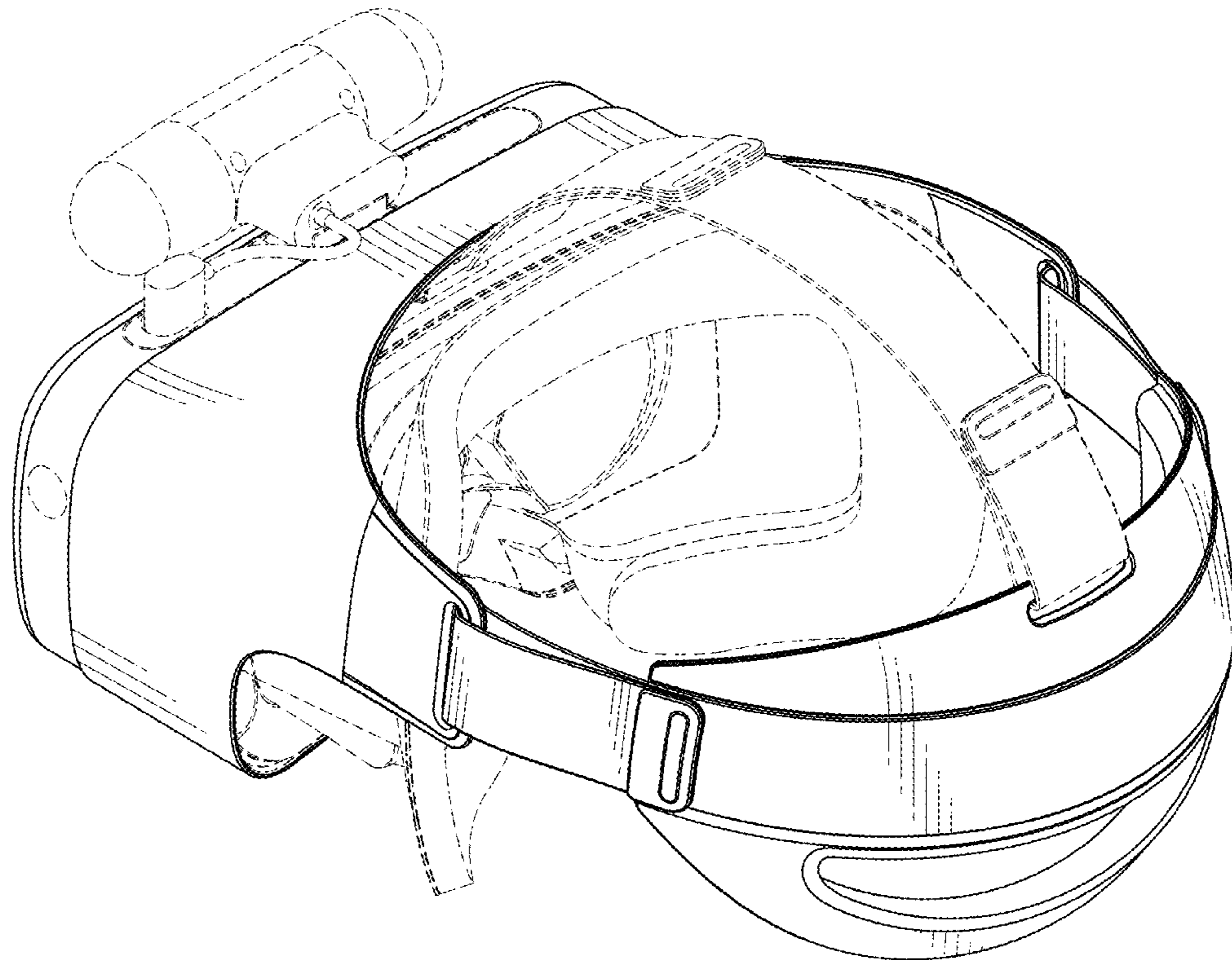


FIG. 8