



US00D827640S

(12) **United States Design Patent** (10) **Patent No.:** **US D827,640 S**
Andersson (45) **Date of Patent:** **** Sep. 4, 2018**

(54) **WEARABLE HEALTH MONITOR**
(71) Applicant: **KONINKLIJKE PHILIPS N.V.**,
Eindhoven (NL)
(72) Inventor: **Jens Peter Kophmann Andersson**,
Amsterdam (NL)
(73) Assignee: **KONINKLIJKE PHILIPS N.V.**,
Eindhoven (NL)
(**) Term: **15 Years**
(21) Appl. No.: **35/501,285**
(22) Filed: **Jan. 25, 2016**
(80) **Hague Agreement Data**
Int. Filing Date: **Jan. 25, 2016**
Int. Reg. No.: **DM/089302**
Int. Reg. Date: **Jan. 25, 2016**
Int. Reg. Pub. Date: **Jul. 29, 2016**

(30) **Foreign Application Priority Data**
Aug. 3, 2015 (EM) 002747733-0001
Aug. 3, 2015 (EM) 002747733-0002
Aug. 3, 2015 (EM) 002747733-0003
(51) **LOC (11) Cl.** **14-02**
(52) **U.S. Cl.**
USPC **D14/344**
(58) **Field of Classification Search**
USPC D14/344, 144, 358; D11/3, 5; D24/167,
D24/169, 186-187; D10/30-39, 70, 98
CPC G06F 1/163; G06F 1/1628; G06F 1/1626;
G06F 1/1635; G06F 1/08; G06F 1/10;
G06F 1/04; G06F 1/14; G06F 1/3203
See application file for complete search history.

(56) **References Cited**
U.S. PATENT DOCUMENTS
D269,546 S * 6/1983 Rogers D10/30
D709,874 S * 7/2014 Aumiller D14/344

D709,875 S * 7/2014 Aumiller D14/344
D711,872 S * 8/2014 Aumiller D14/344
D746,815 S * 1/2016 Lim D10/38
D746,816 S * 1/2016 Lim D10/38
D750,625 S * 3/2016 Solomon D10/38
D752,045 S * 3/2016 Kim D10/38
D752,583 S * 3/2016 Solomon D10/38
D753,109 S * 4/2016 Kim D10/38
D755,178 S * 5/2016 Solomon D10/38
D767,566 S * 9/2016 Morgenroth D14/344
D768,623 S * 10/2016 Zou D10/39
D769,868 S * 10/2016 Isaacs D14/344
D772,868 S * 11/2016 Park D10/39
D773,458 S * 12/2016 Park D10/39
D776,109 S * 1/2017 Shin D14/344
D780,178 S * 2/2017 Kwak D14/138 R
D782,475 S * 3/2017 Yu D11/5

* cited by examiner

Primary Examiner — Manpreet S Matharu
Assistant Examiner — Holly E Thurman

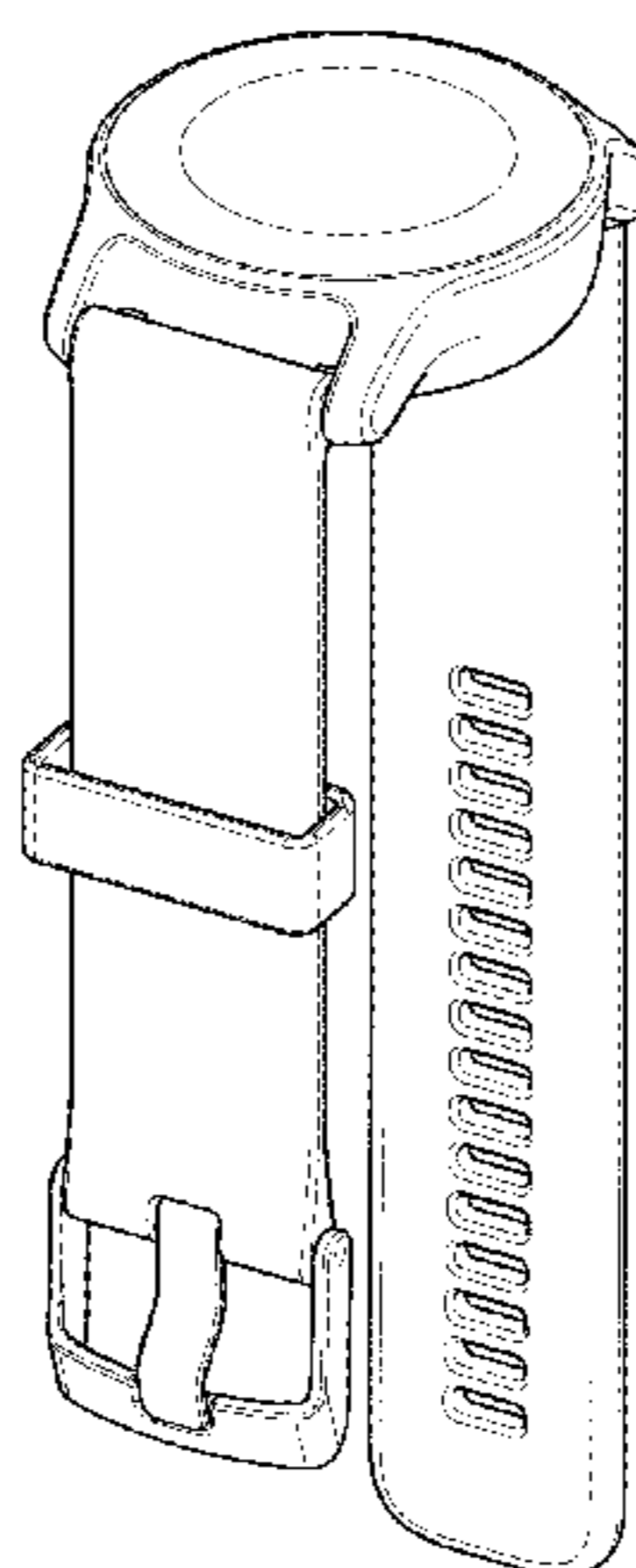
(57) **CLAIM**

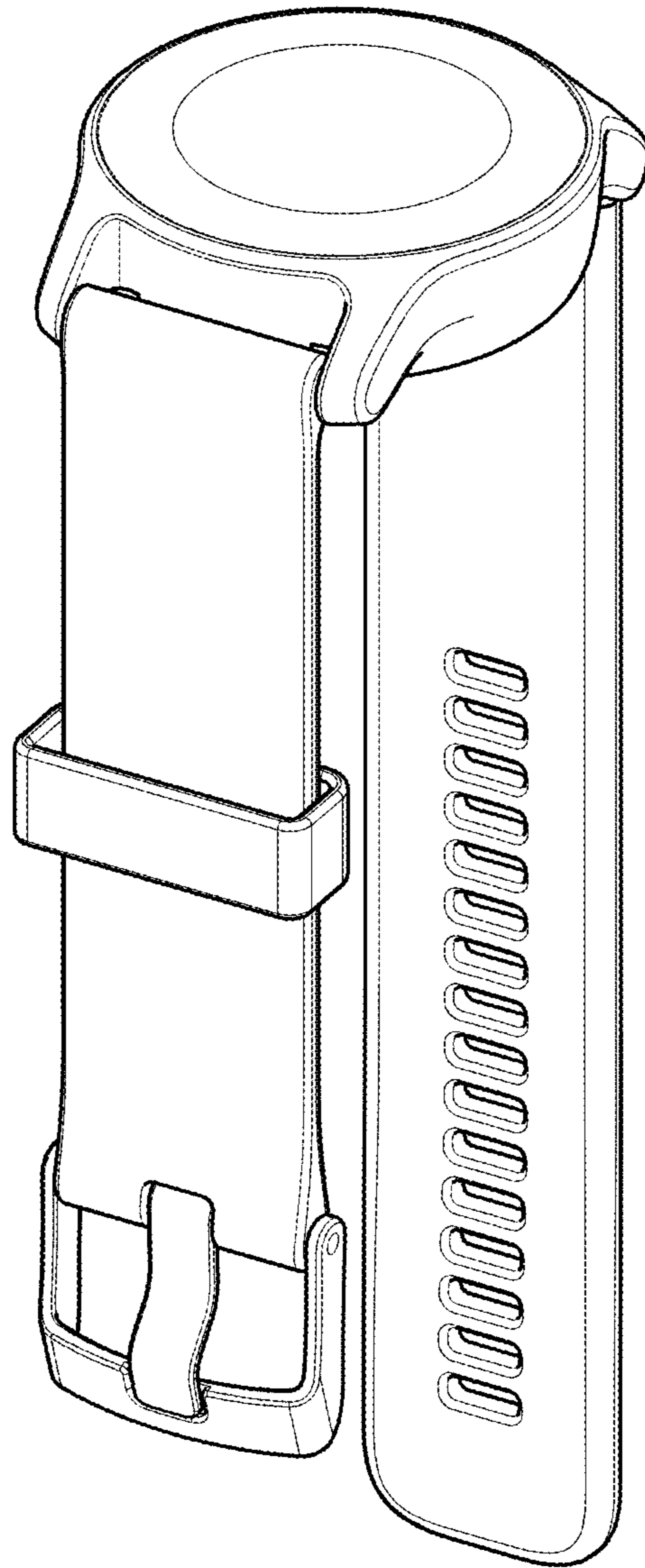
The ornamental design for a wearable health monitor, as shown and described.

DESCRIPTION

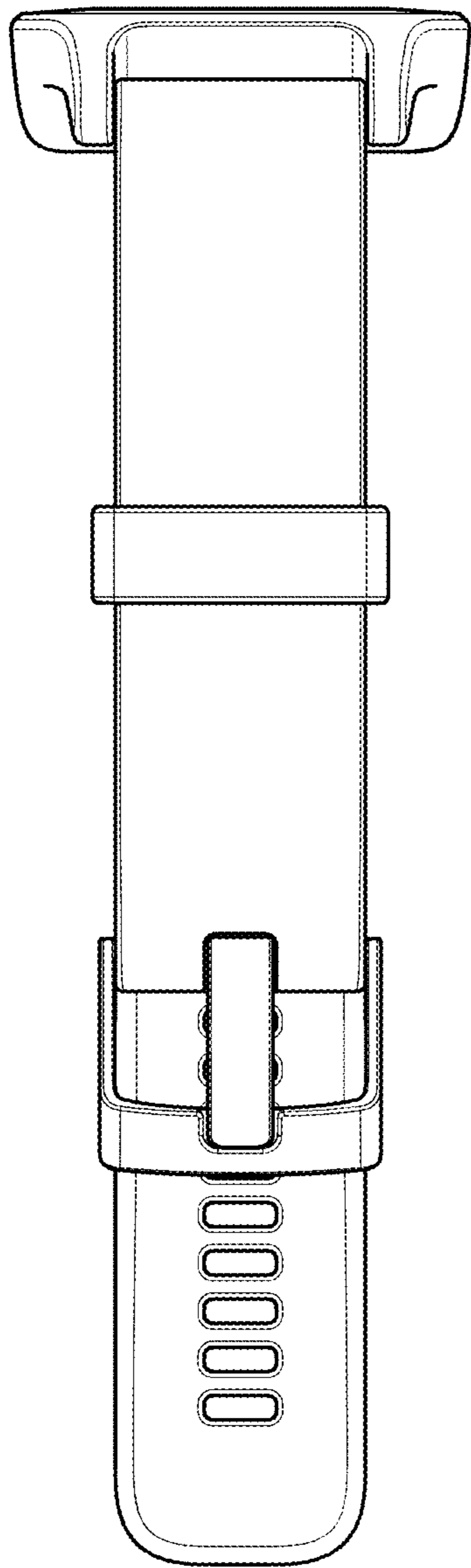
1. Wearable health monitor
1.1 is a perspective view showing the wearable health monitor of my design;
1.2 is a front elevational view thereof;
1.3 is a rear elevational view thereof;
1.4 is a left side elevational view thereof;
1.5 is a right side elevational view thereof;
1.6 is a top plan view thereof; and
1.7 is a bottom plan view thereof.
The portions of the wearable health monitor shown in broken lines form no part of the claimed design.

1 Claim, 4 Drawing Sheets

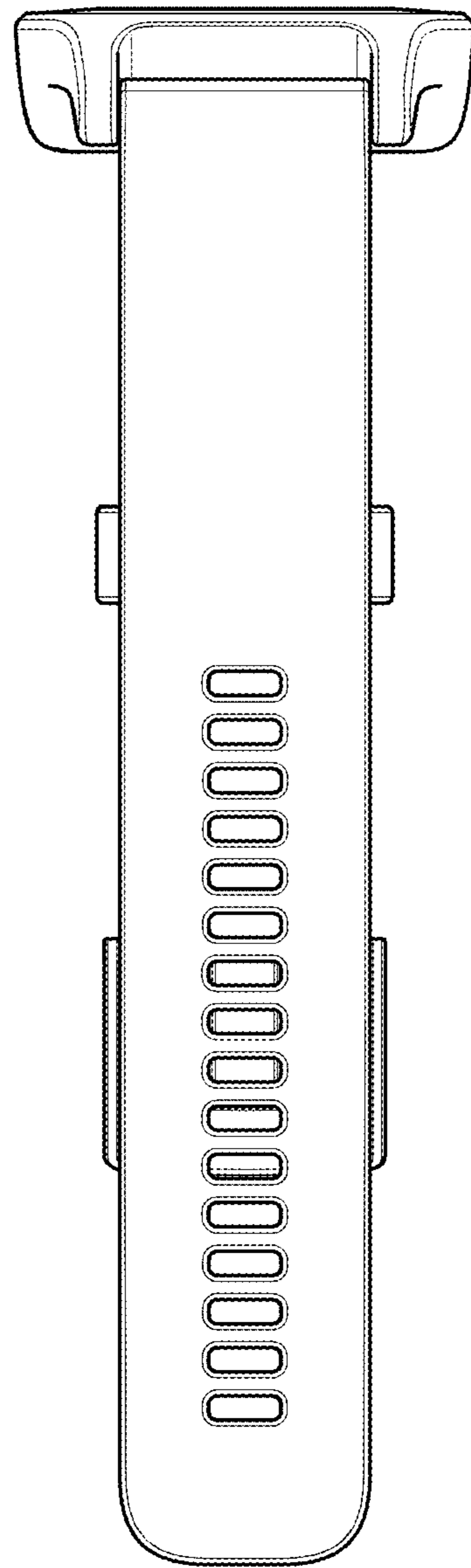




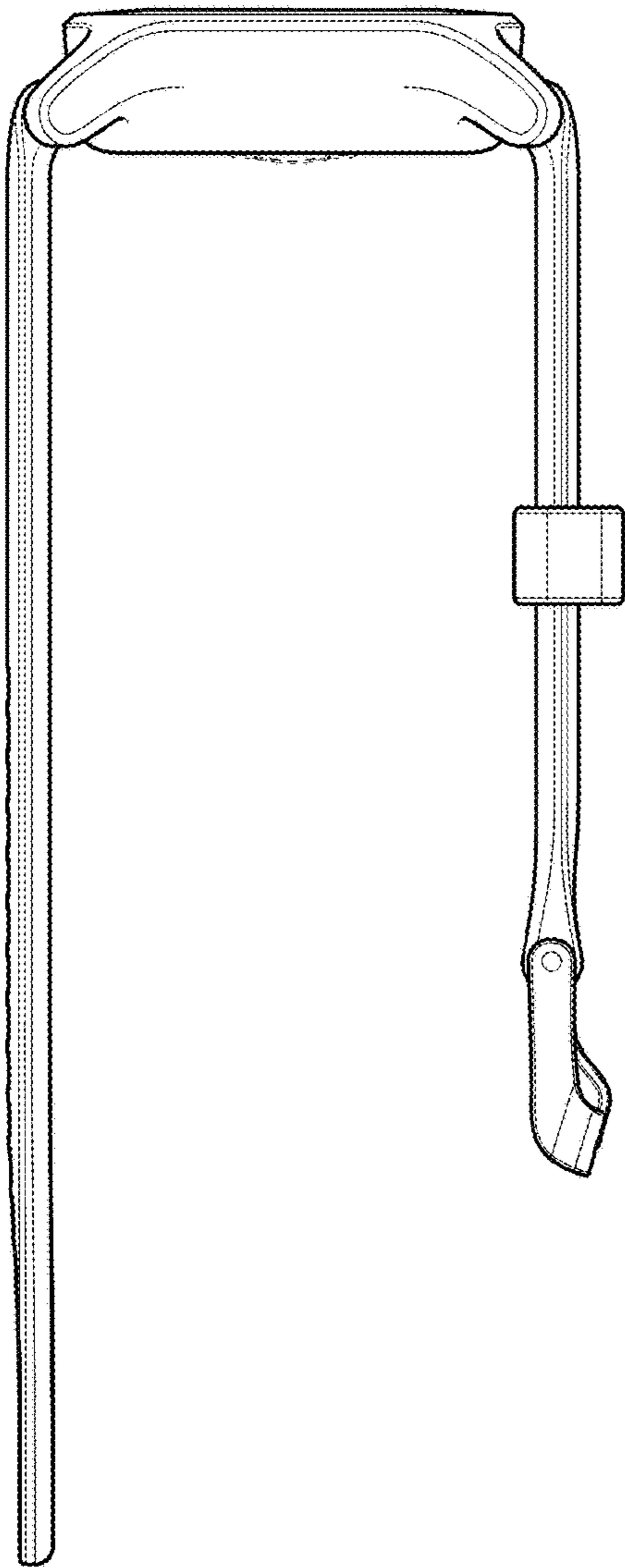
1.1



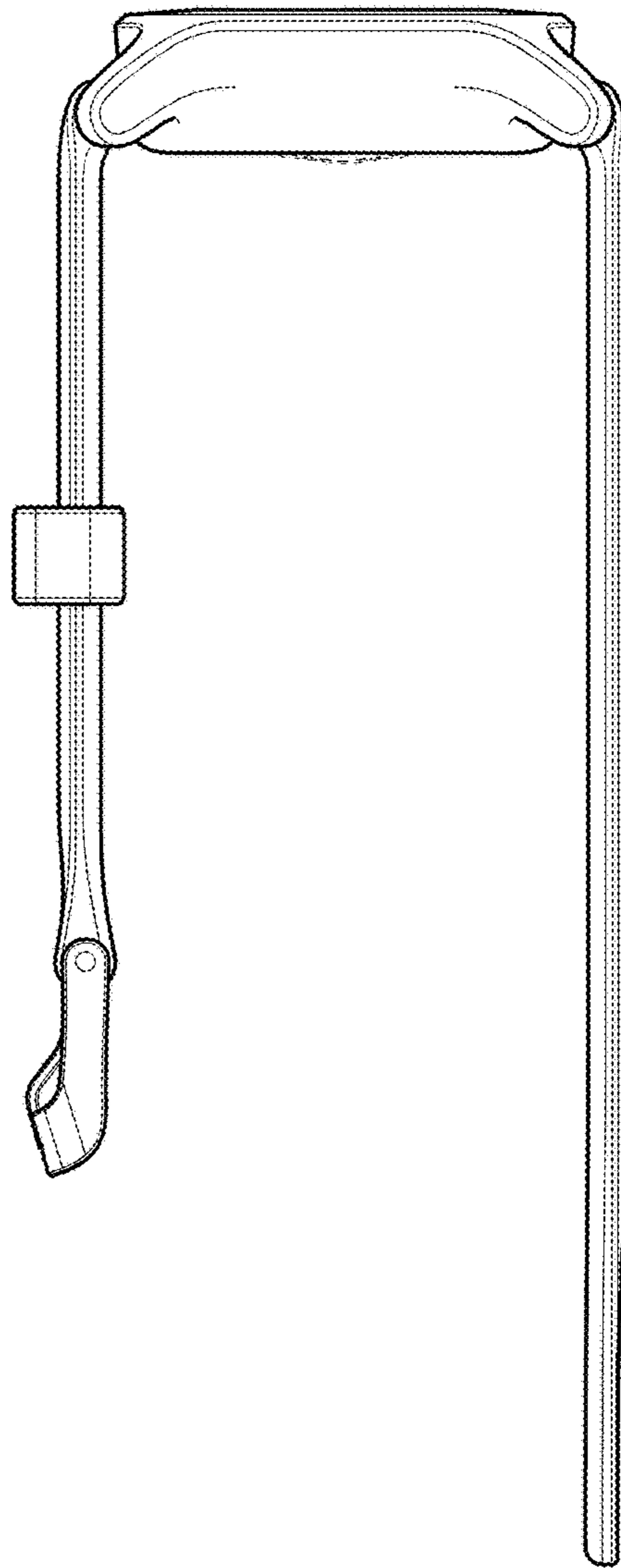
1.2



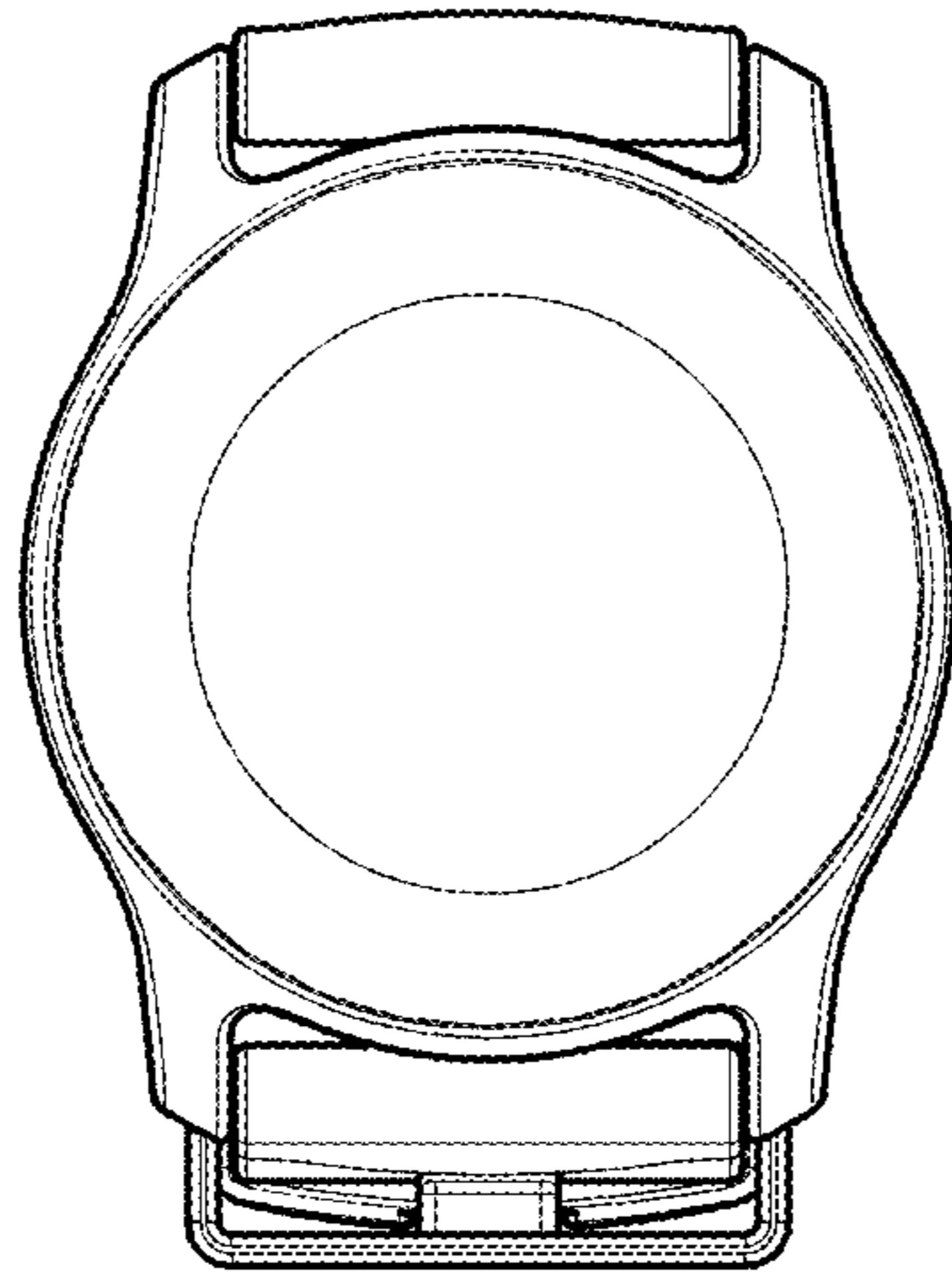
1.3



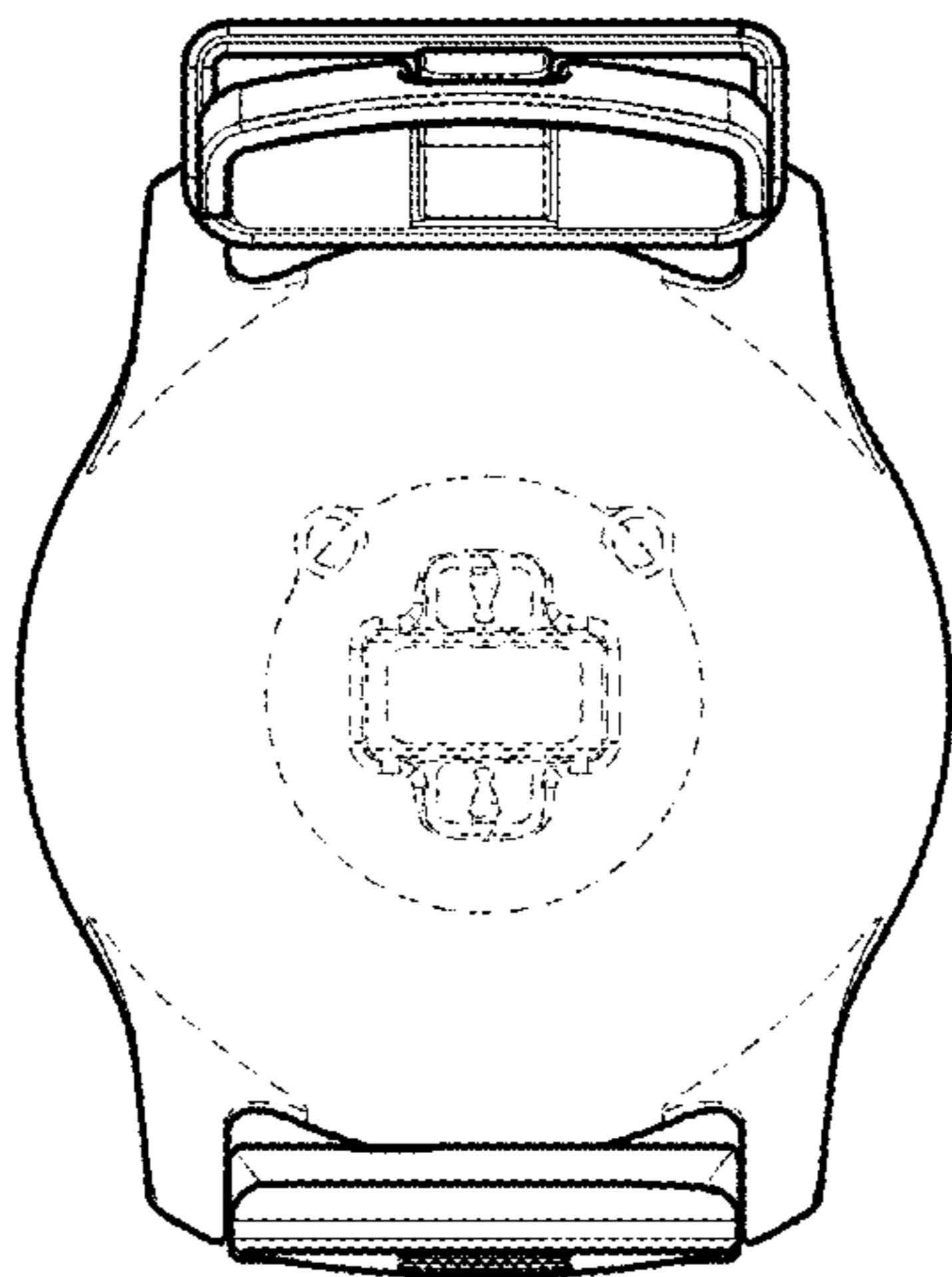
1.4



1.5



1.6



1.7