



US00D827639S

(12) **United States Design Patent**
Jung

(10) **Patent No.:** **US D827,639 S**

(45) **Date of Patent:** **** Sep. 4, 2018**

(54) **WEARABLE ELECTRONIC DEVICE**

D309,857 S * 8/1990 Fenton D8/367
D354,720 S * 1/1995 Estes D11/222
D404,673 S * 1/1999 Gordon D10/118

(Continued)

(71) Applicant: **Samsung Electronics Co., Ltd.**,
Suwon-si (KR)

FOREIGN PATENT DOCUMENTS

(72) Inventor: **Yusin Jung**, Seoul (KR)

EM 001383434-0001 10/2014

(73) Assignee: **SAMSUNG ELECTRONICS CO., LTD.**,
Suwon-si (KR)

OTHER PUBLICATIONS

(**) Term: **15 Years**

Misfit Flash Link, posted Sep. 21, 2015, [retrieved Nov. 6, 2017].
Retrieved from Internet, <URL: <https://manofmany.com/tech/misfit-flash-link> >.*

(21) Appl. No.: **29/575,796**

(Continued)

(22) Filed: **Aug. 29, 2016**

(30) **Foreign Application Priority Data**

Mar. 3, 2016 (KR) 30-2016-0009806

Primary Examiner — Barbara Fox

Assistant Examiner — Kristin E Reed

(51) **LOC (11) Cl.** **14-02**

(74) *Attorney, Agent, or Firm* — McAndrews Held & Malloy, Ltd.

(52) **U.S. Cl.**

USPC **D14/344**

(58) **Field of Classification Search**

USPC ... D14/344, 138 R, 144, 341, 358, 485–489;
D10/30–39, 70, 98; D11/3, 93–94;
D24/167, 169, 186–187; 361/679.03;
379/433.1

CPC .. A41D 1/002; G06F 1/04; G06F 1/08; G06F
1/10; G06F 1/14; G06F 1/1626; G06F
1/1628; G06F 1/163; G06F 1/1635; G06F
1/3203; G06Q 20/10; G06Q 20/12; G06Q
20/108; G06Q 20/145; H04B 1/3833;
H04B 1/385; H04B 1/3888; H04M 1/02;
H04M 1/03; H04M 1/04; H04M 1/05;
H04M 1/667; H04M 1/6058; Y02B
60/1217

See application file for complete search history.

(57) **CLAIM**

The ornamental design for a wearable electronic device, as shown and described.

DESCRIPTION

FIG. 1 is a front perspective view of a wearable electronic device showing my new design;
FIG. 2 is a front elevation view thereof;
FIG. 3 is a rear elevation view thereof;
FIG. 4 is a left side elevation view thereof;
FIG. 5 is a right side elevation view thereof;
FIG. 6 is a top plan view thereof;
FIG. 7 is a bottom plan view thereof;
FIG. 8 is a rear perspective view thereof;

(Continued)

(56) **References Cited**

U.S. PATENT DOCUMENTS

D305,022 S * 12/1989 Hallgren D13/171

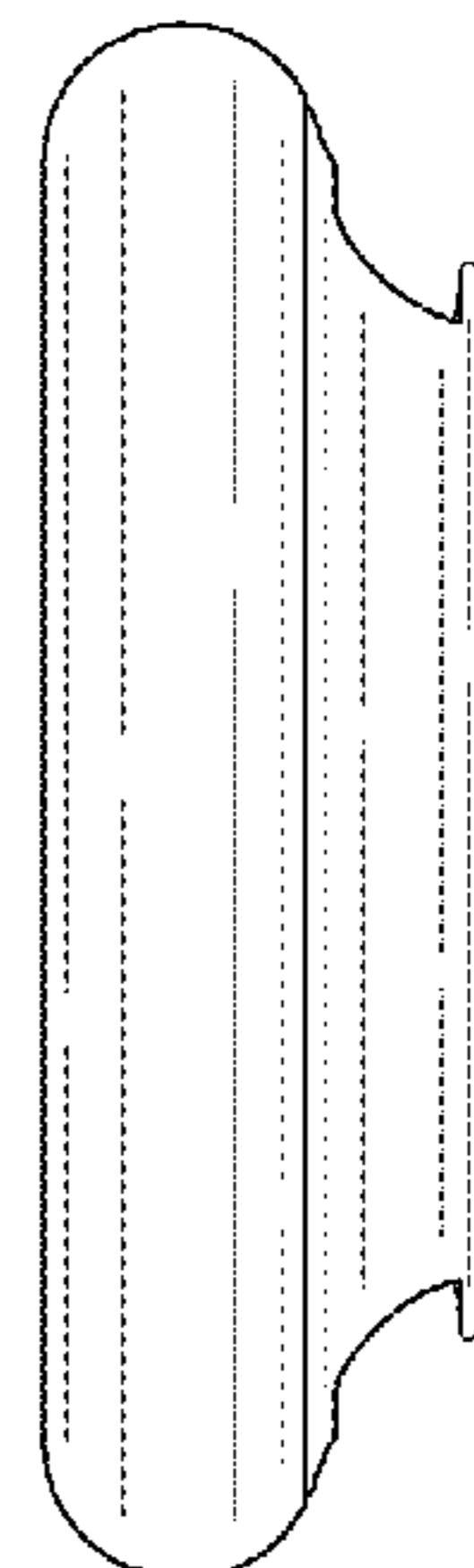
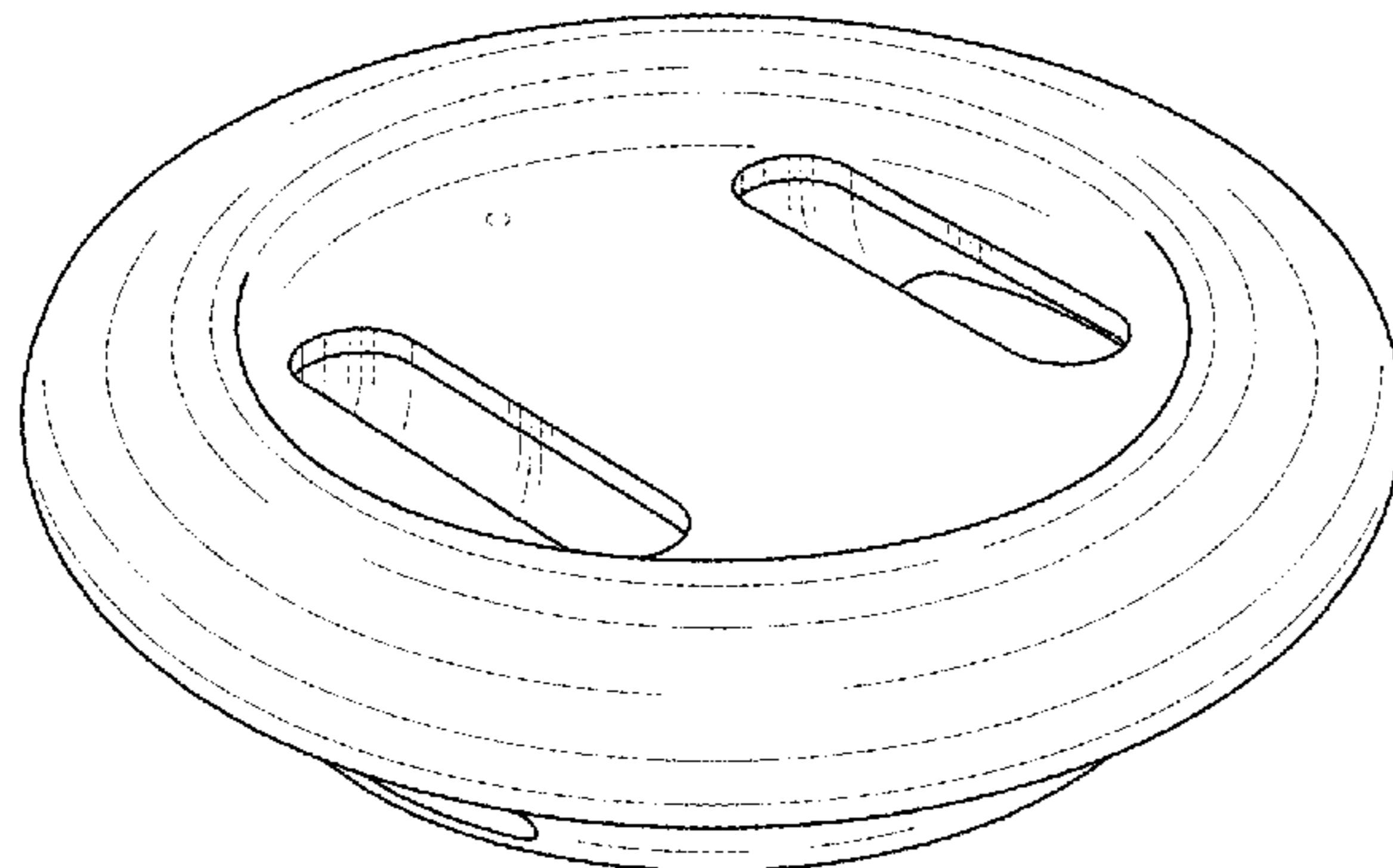


FIG. 9 is a cross-sectional view taken through line A-A of FIG. 2; and,

FIG. 10 is another cross-sectional view taken through line A-A of FIG. 2 in which a band or string is shown to provide example environment.

The dashed broken lines in the drawings illustrate example environment and portions of the wearable electronic device that form no part of the claimed design.

1 Claim, 7 Drawing Sheets

D653,564 S	2/2012	Eida	
D664,892 S *	8/2012	Crye	D11/222
D689,395 S *	9/2013	Chan	D11/220
D720,255 S *	12/2014	Gramatikas	D11/222
D728,420 S *	5/2015	Leung	D11/220
D733,130 S *	6/2015	Kim	D14/344
D743,506 S *	11/2015	Spinelli	D23/250
D749,570 S *	2/2016	Lee	D14/344
D755,786 S *	5/2016	Lapetina	D14/344
D759,652 S *	6/2016	Aumiller	D14/344
D769,868 S *	10/2016	Isaacs	D14/344
D793,903 S *	8/2017	Bolen	D11/222
D796,355 S *	9/2017	Cho	D10/70
D798,170 S *	9/2017	Toth	D10/65

(56)

References Cited

U.S. PATENT DOCUMENTS

D440,585 S *	4/2001	Kahn	D16/200
D474,068 S *	5/2003	Fujii	D7/392.1
D485,794 S *	1/2004	Kemer	D12/179
D504,918 S *	5/2005	Imai	D19/69
D612,269 S *	3/2010	Leung	D10/32
D612,270 S *	3/2010	Keithline, III	D10/38
D621,399 S *	8/2010	Ahlstrom	D14/344
D623,912 S *	9/2010	Su	D8/25
D648,831 S *	11/2011	Bradford	D23/252

OTHER PUBLICATIONS

Withings Introduces Budget Oriented e-Ink Wearable, posted Jan. 8, 2016, [retrieved Nov. 6, 2017]. Retrieved from Internet, <URL: <https://circuitsandcableknit.com/wearable-technology/withings-introduces-budget-oriented-e-ink-wearable/> >.*

Rasmussen, Matt, "Kickstarter of the Week: MyFitDog—The Best Fit Friend", Run Oregon, Jan. 2, 2014, <http://runoregonblog.com/2014/01/27/kickstarter-of-the-week-myfitdog-the-best-fit-friend/> (Last accessed Oct. 11, 2016).

* cited by examiner

FIG.1

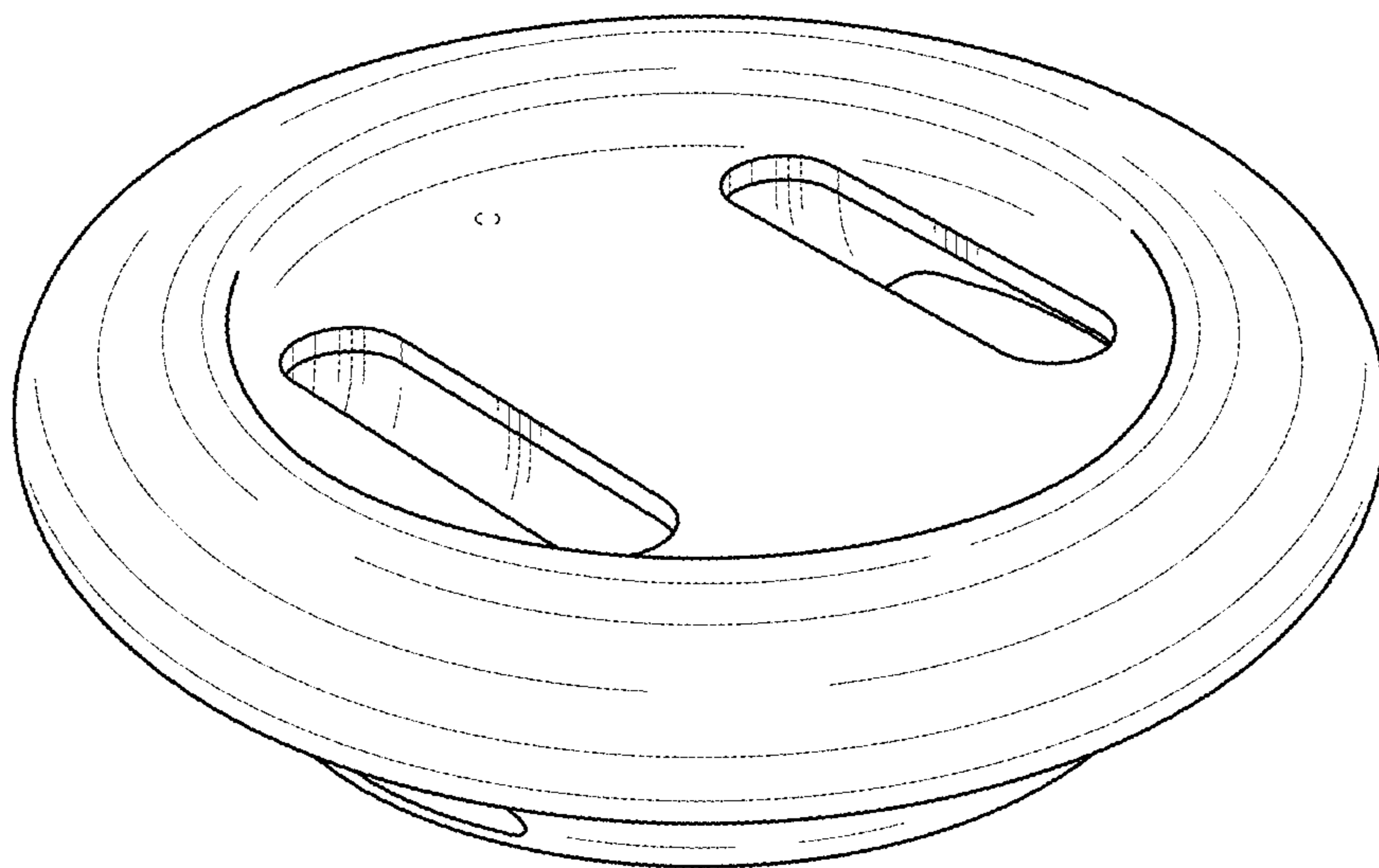


FIG.2

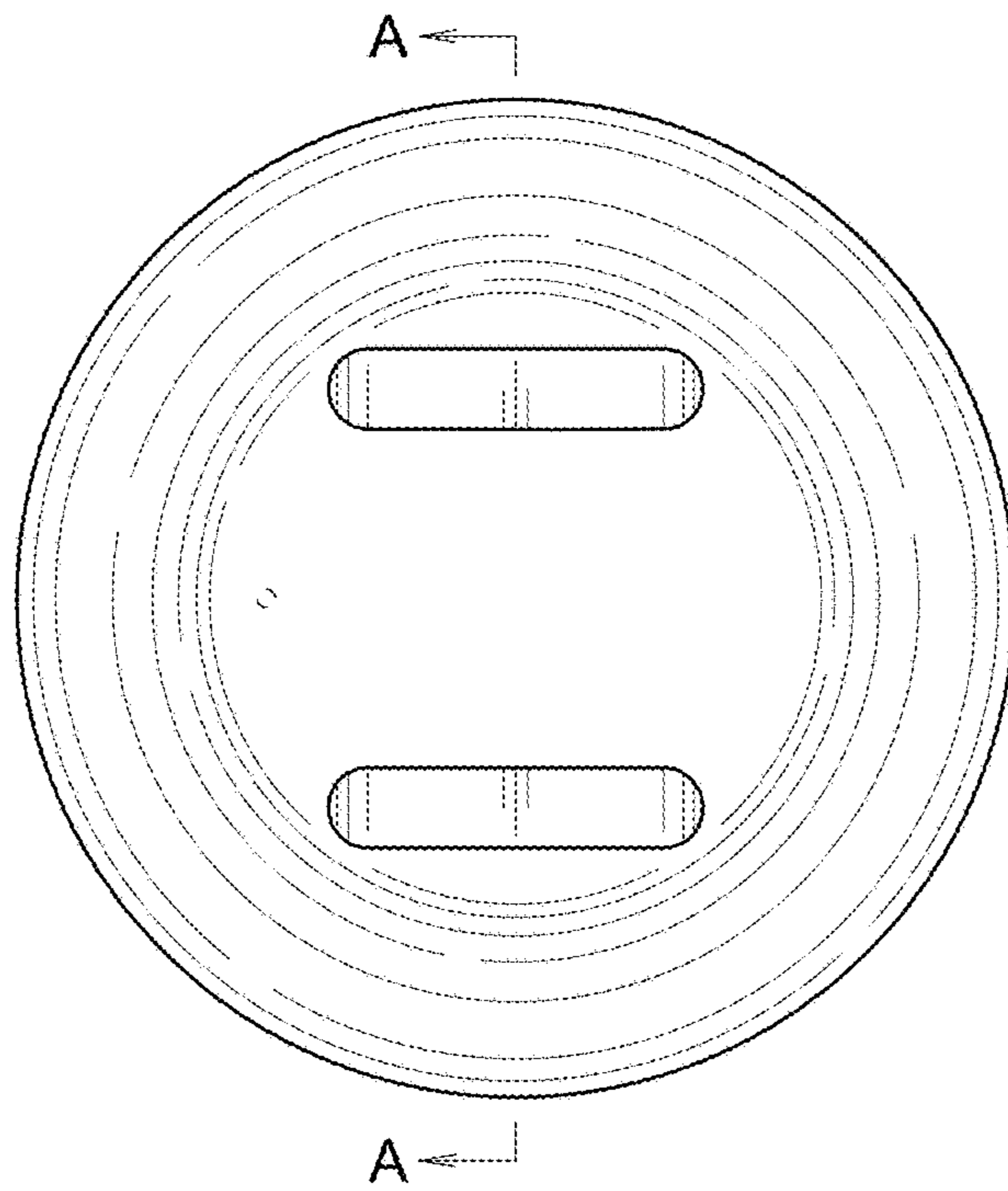


FIG.3

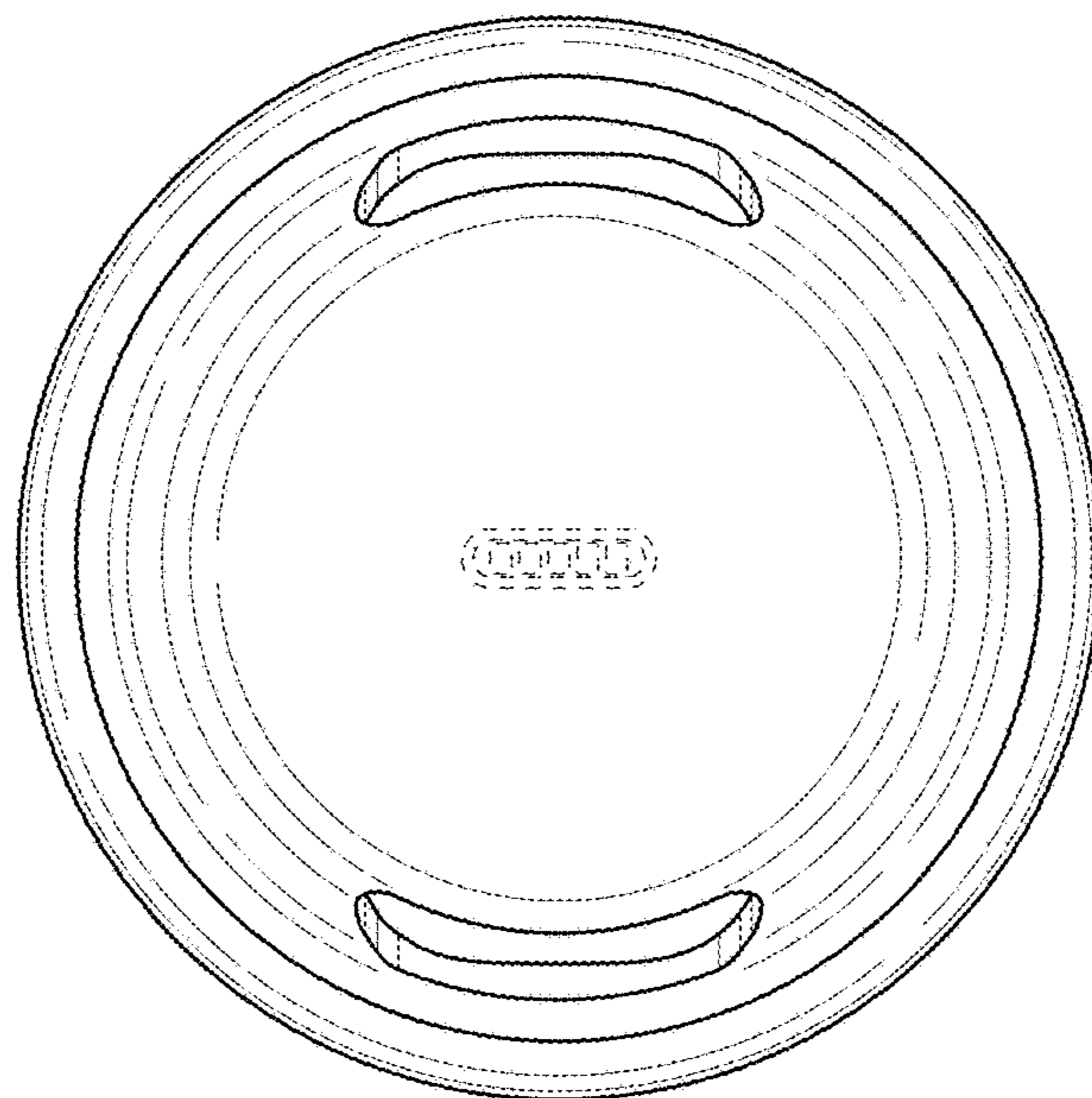


FIG.4

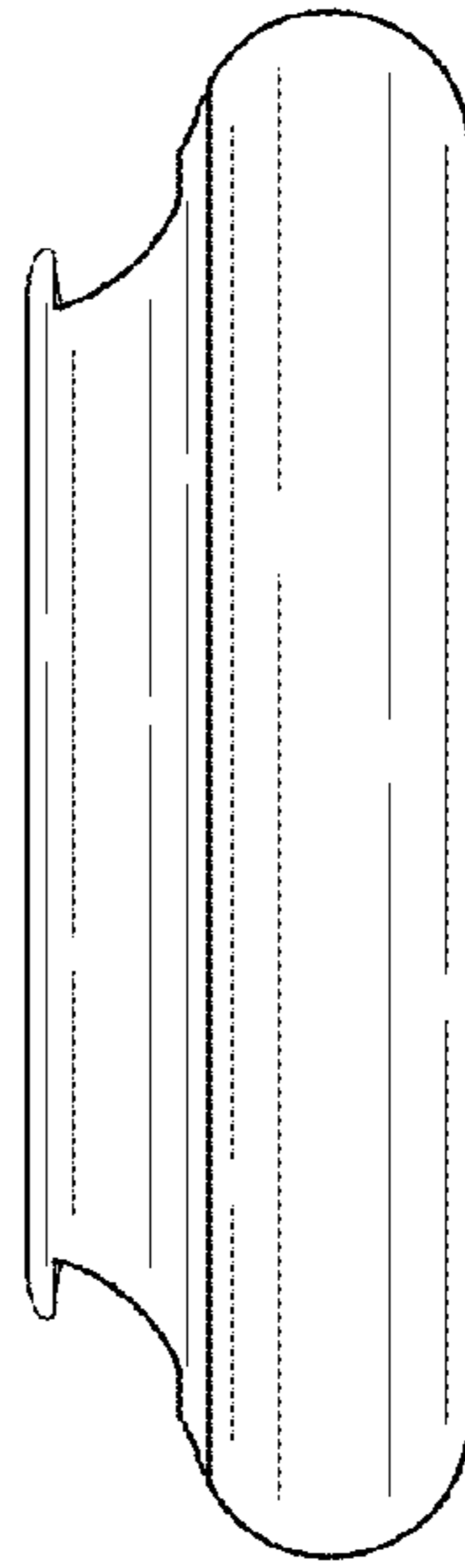


FIG.5

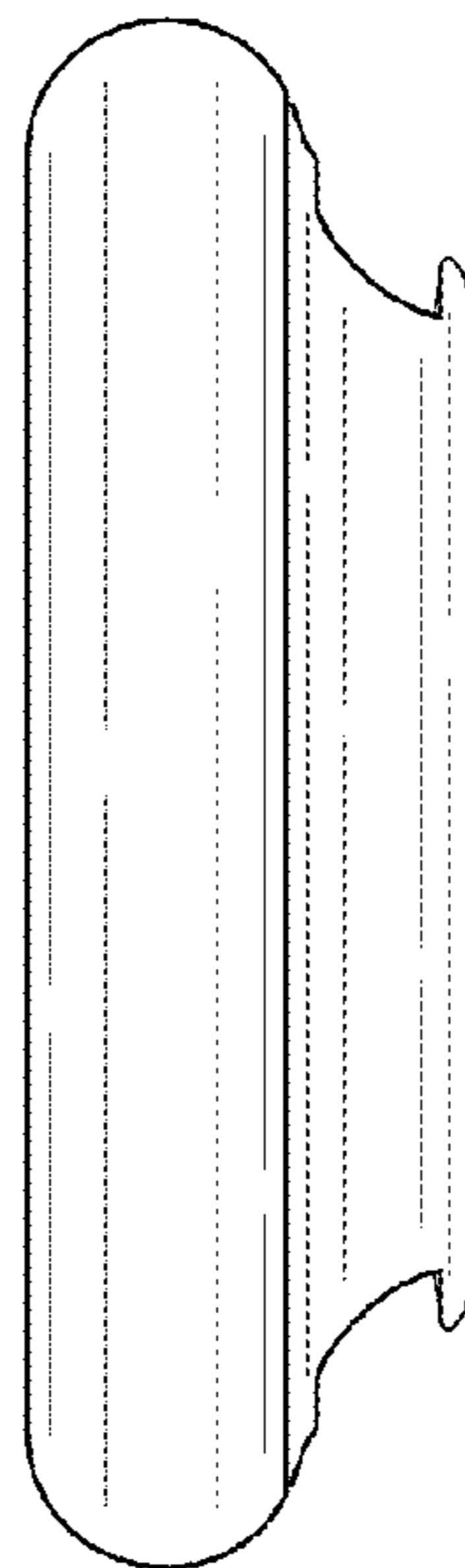


FIG.6

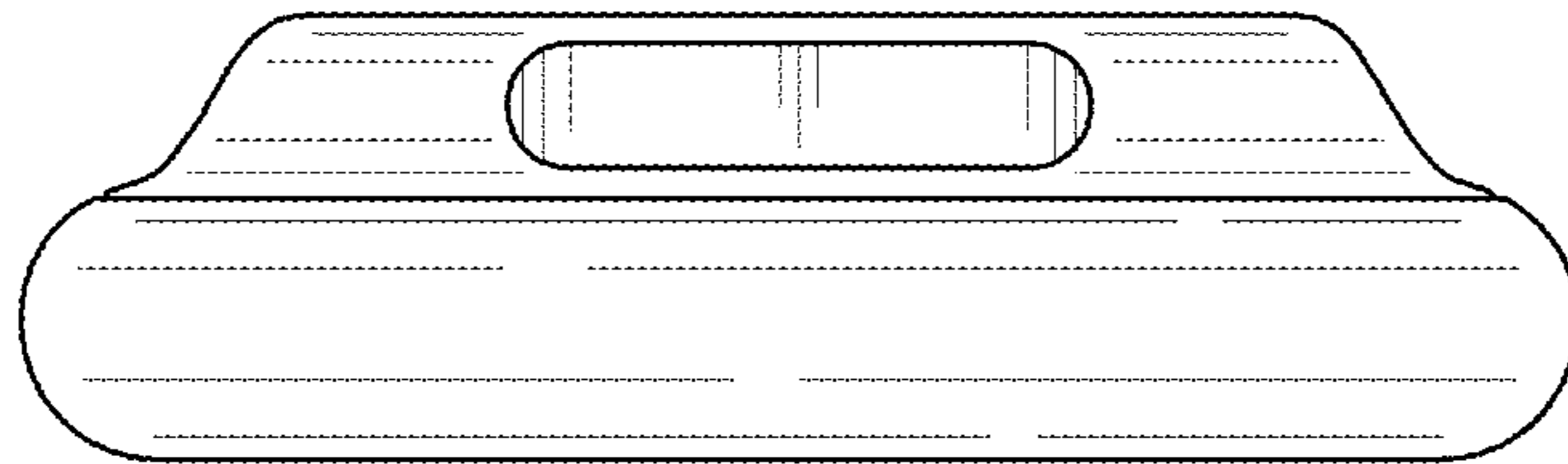


FIG.7

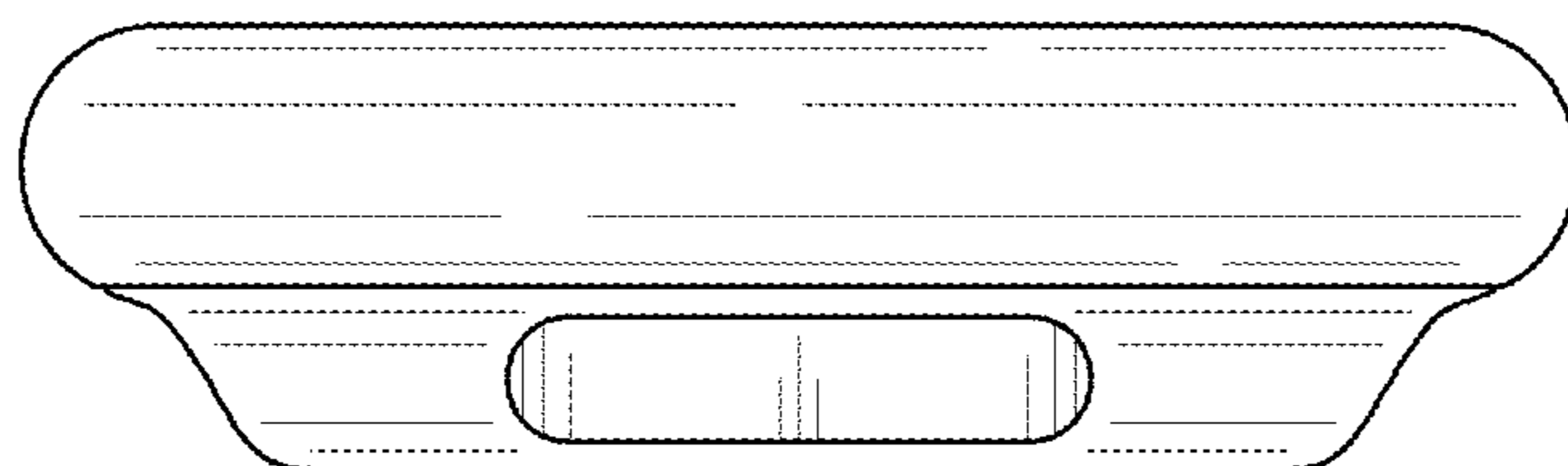


FIG.8

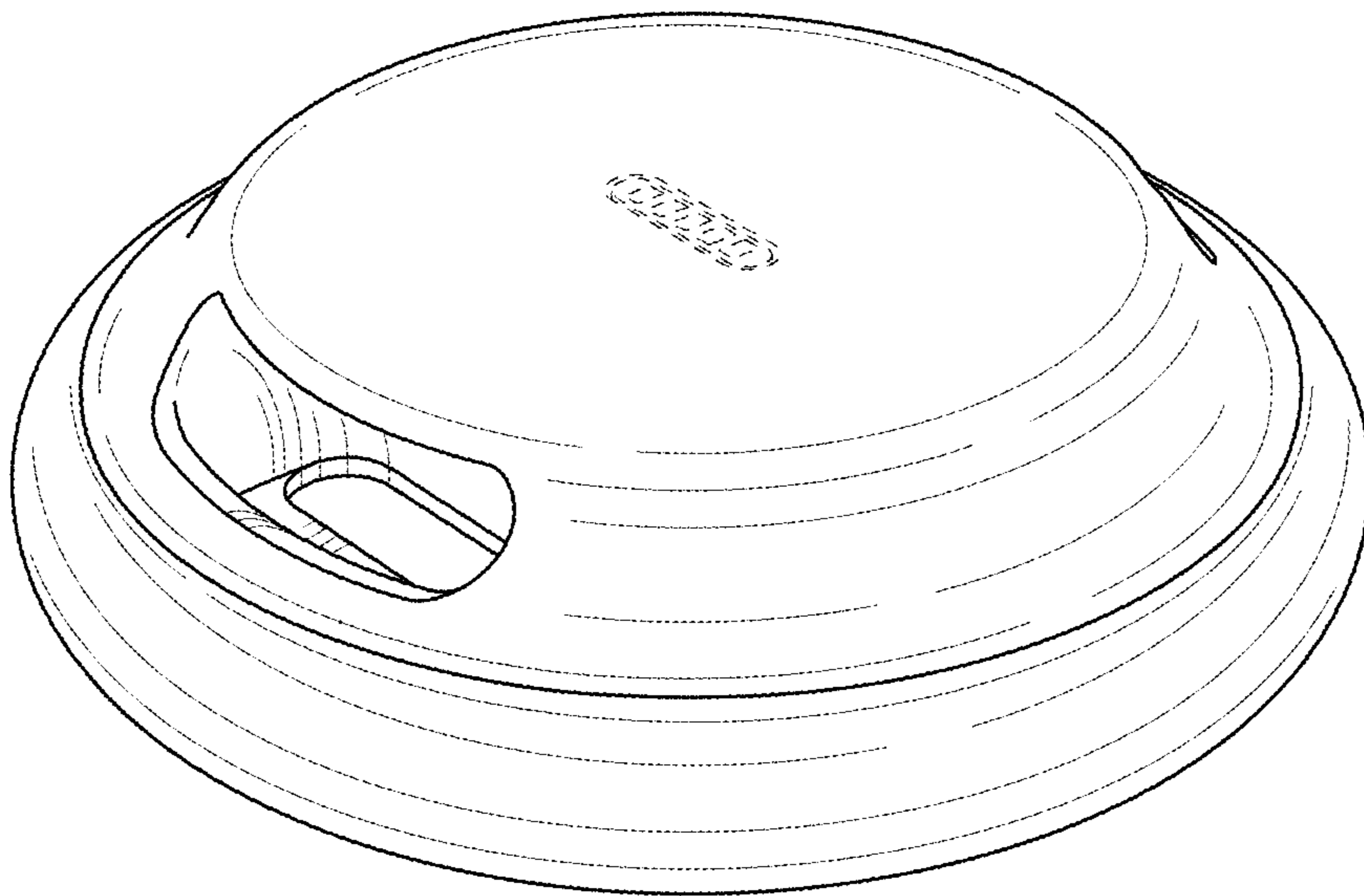


FIG.9

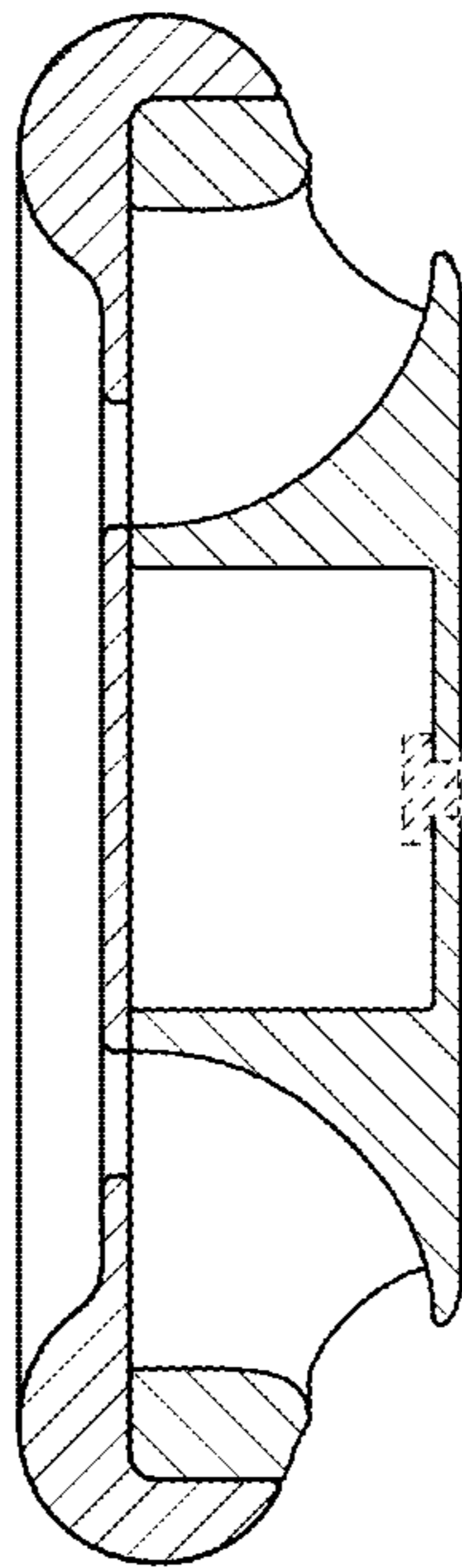


FIG.10

