

US00D827638S

(12) **United States Design Patent**
Tamillow et al.

(10) **Patent No.:** **US D827,638 S**
(45) **Date of Patent:** **** Sep. 4, 2018**

(54) **COMBINED WRIST COMPUTER AND PHONE**

(71) Applicants: **Robert Tamillow**, Richmond, CA (US);
Louis Tamillow, Richmond, CA (US)

(72) Inventors: **Robert Tamillow**, Richmond, CA (US);
Louis Tamillow, Richmond, CA (US)

(**) Term: **15 Years**

(21) Appl. No.: **29/564,739**

(22) Filed: **May 16, 2016**

(51) **LOC (11) Cl.** **14-02**

(52) **U.S. Cl.**
USPC **D14/344**

(58) **Field of Classification Search**
USPC ... D14/344, 138 R, 144, 358, 331, 345, 391,
D14/399, 455; D24/167, 169, 186-187;
D11/3, 93-94; D10/30-39, 70, 98;
379/433.1; 361/679.03; D26/120.1
CPC G06F 1/163; G06F 1/1628; G06F 1/1626;
G06F 1/1635; G06F 1/08; G06F 1/10;
G06F 1/04; G06F 1/14; G06F 1/3203;
A41D 1/002; H04M 1/02; H04M 1/03;
H04M 1/04; H04M 1/05; H04M 1/667;
H04M 1/6058; Y02B 60/12; H04B 1/385;
H04B 1/3888; H04B 1/3833; G06Q
20/10; G06Q 20/108; G06Q 20/12; G06Q
20/145

See application file for complete search history.

(56) **References Cited**

U.S. PATENT DOCUMENTS

D299,029 S * 12/1988 Williams D14/399
5,168,427 A * 12/1992 Clancy B41J 5/10
361/679.12
D344,494 S * 2/1994 Cardenas D14/344
D399,526 S * 10/1998 Brady D14/345
D401,914 S * 12/1998 Kamegi D14/138 G
6,044,153 A * 3/2000 Kaschke H04B 1/385
379/433.01

D426,218 S * 6/2000 Abed D14/138 AB
D430,155 S * 8/2000 Cronk D14/327
6,275,376 B1 * 8/2001 Moon G06F 1/162
345/168
6,612,668 B2 * 9/2003 Doan G06F 1/1616
16/303
D496,033 S * 9/2004 Kanayama D14/318
D547,453 S * 7/2007 Rogers D24/186
D612,847 S * 3/2010 Clark D14/315

(Continued)

OTHER PUBLICATIONS

iKey AK-39 wearable keyboard, posted Jul. 13, 2009, [retrieved May 22, 2017]. Retrieved from Internet, <URL: http://crunchwear.com/ikey-ak-39-wearable-keyboard/ >.*

(Continued)

Primary Examiner — Barbara Fox
Assistant Examiner — Kristen E Reed
(74) *Attorney, Agent, or Firm* — Steven A. Nielsen;
www.NielsenPatents.com

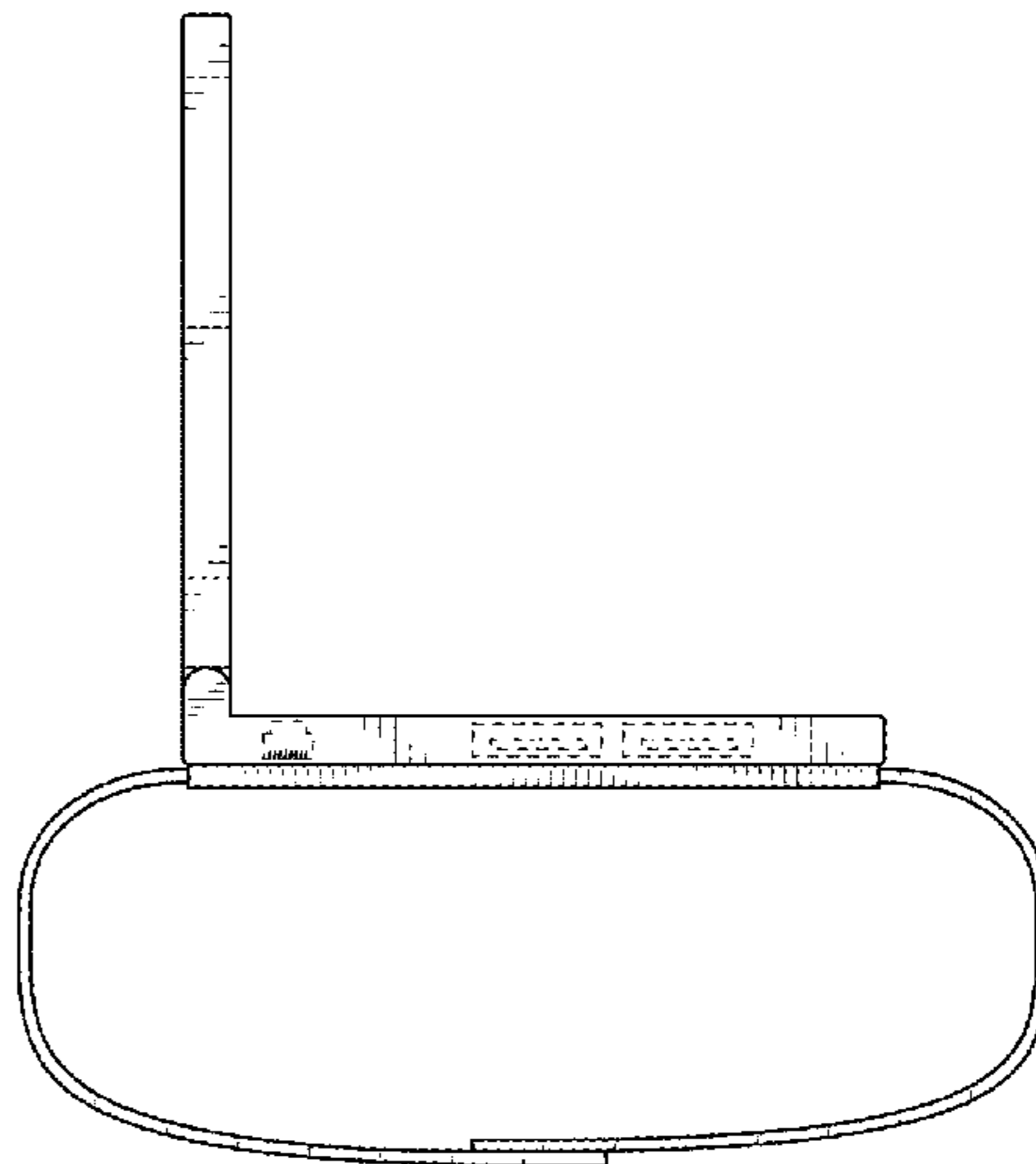
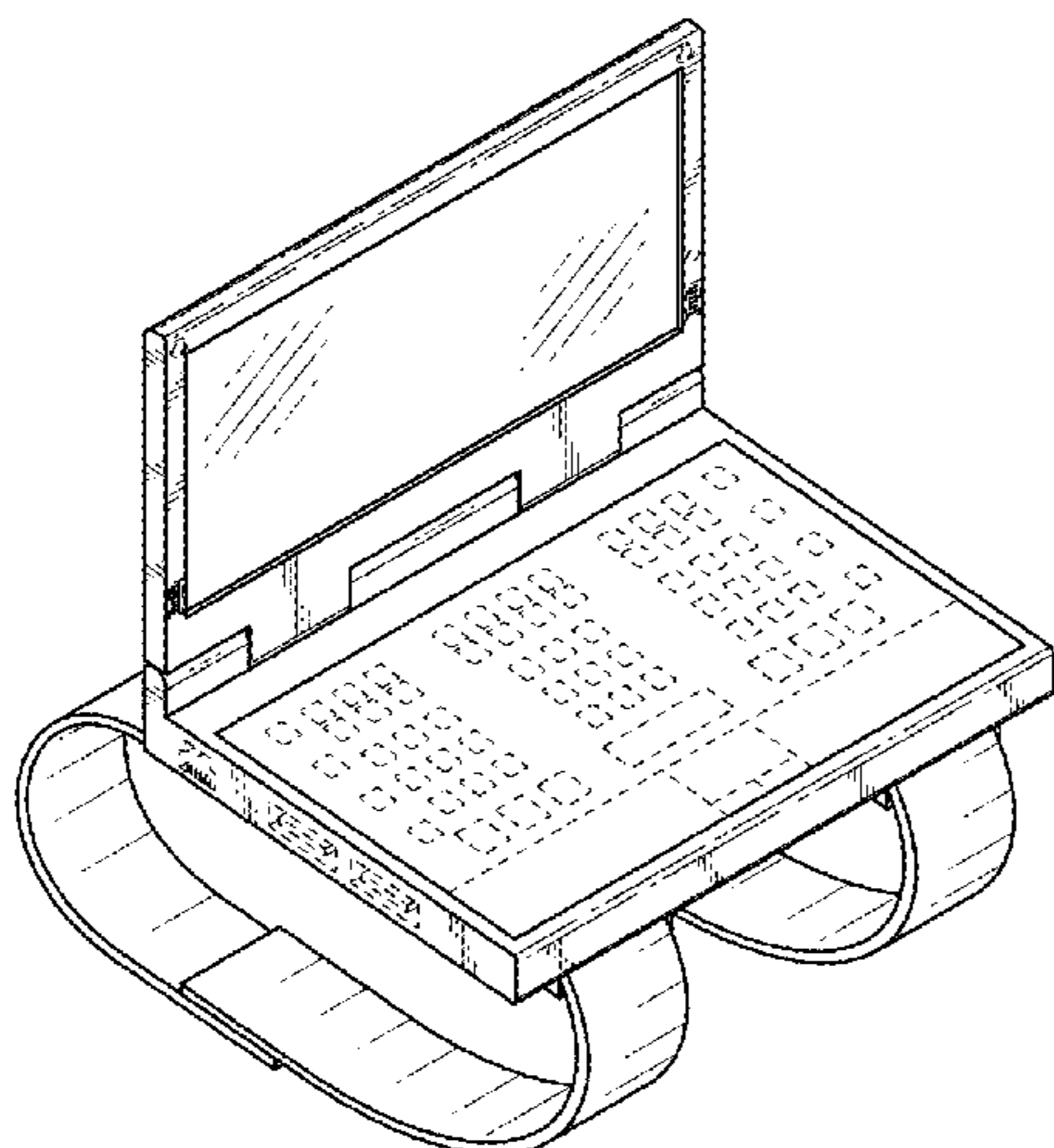
(57) **CLAIM**

The ornamental design for a combined wrist computer and phone, as shown and described.

DESCRIPTION

FIG. 1 is a top and side perspective view of a combined wrist computer and phone showing a new design;
FIG. 2 is a rear view thereof;
FIG. 3 is a right side view thereof;
FIG. 4 is a left side view thereof;
FIG. 5 is a top view thereof;
FIG. 6 is a bottom view thereof; and,
FIG. 7 is a top and side perspective view thereof.
The broken line showing of a hand and forearm in FIG. 7 depicts environment. The remainder of the broken lines depict portions of the combined wrist computer and phone that form no part of the claimed design.

1 Claim, 4 Drawing Sheets



(56)

References Cited

U.S. PATENT DOCUMENTS

D630,607 S * 1/2011 Li D14/138 AB
9,128,281 B2 * 9/2015 Osterhout G02B 27/017
D740,151 S * 10/2015 Harrigan D11/3
D779,347 S * 2/2017 Zampini, II D10/70
D799,484 S * 10/2017 Tamillow D14/391
2010/0149104 A1 * 6/2010 Sim G06F 1/1616
345/169
2016/0349790 A1 * 12/2016 Connor G06F 1/1694

OTHER PUBLICATIONS

D10D3, Wearable computer V1, posted Mar. 12, 2014, [retrieved May 22, 2017]. Retrieved from Internet, <URL: <https://www.d10d3.net/wearable-rig-v1> >.*
Viliv N5 Handheld " Initial Assessment (Inc. Video), posted Jul. 5, 2010, [retrieved May 23, 2017]. Retrieved from Internet, <URL: <http://www.umpcportal.com/2010/07/viliv-n5-handheld-initial-assessment-inc-video/> >.*

* cited by examiner

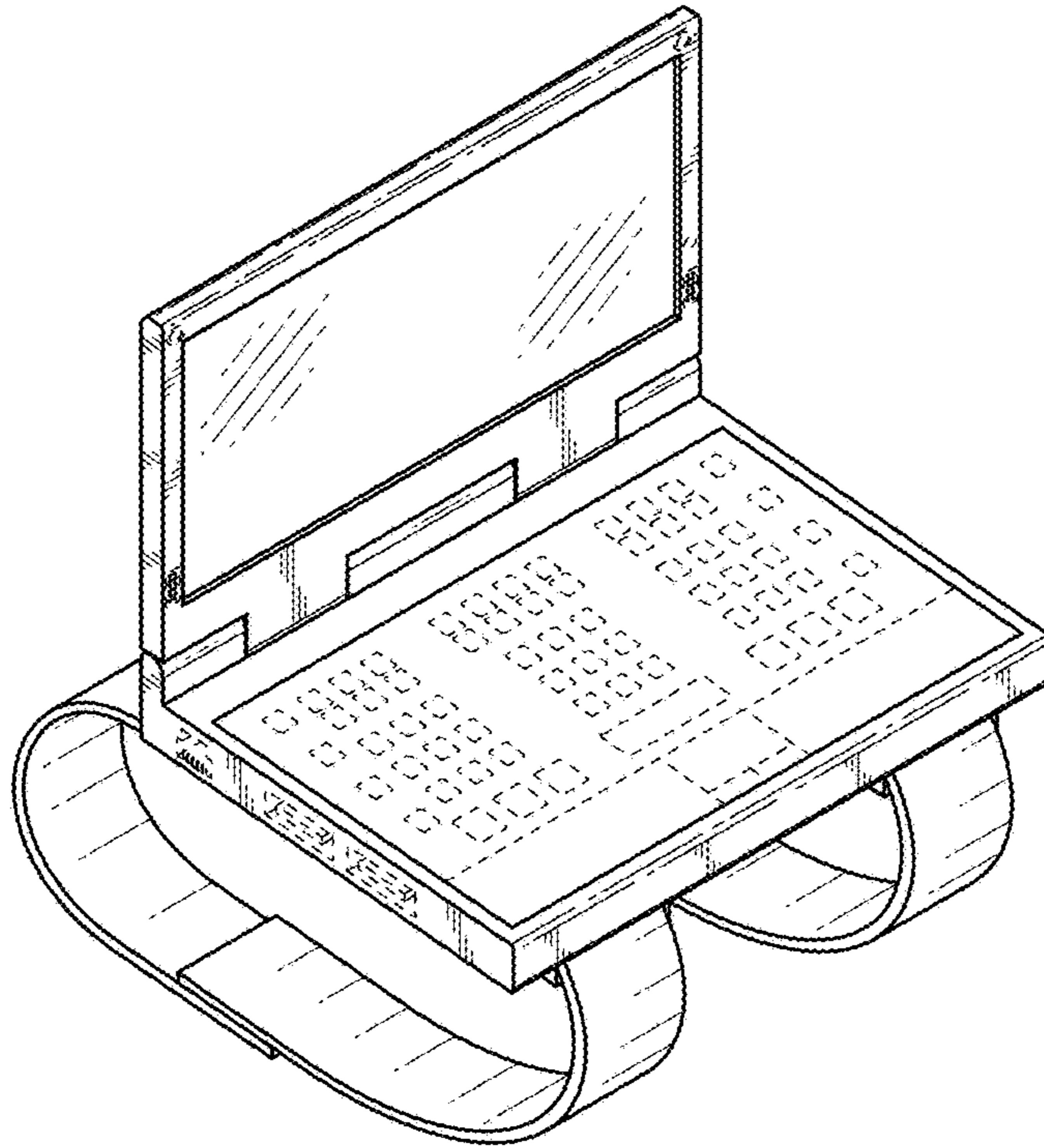


FIG. 1

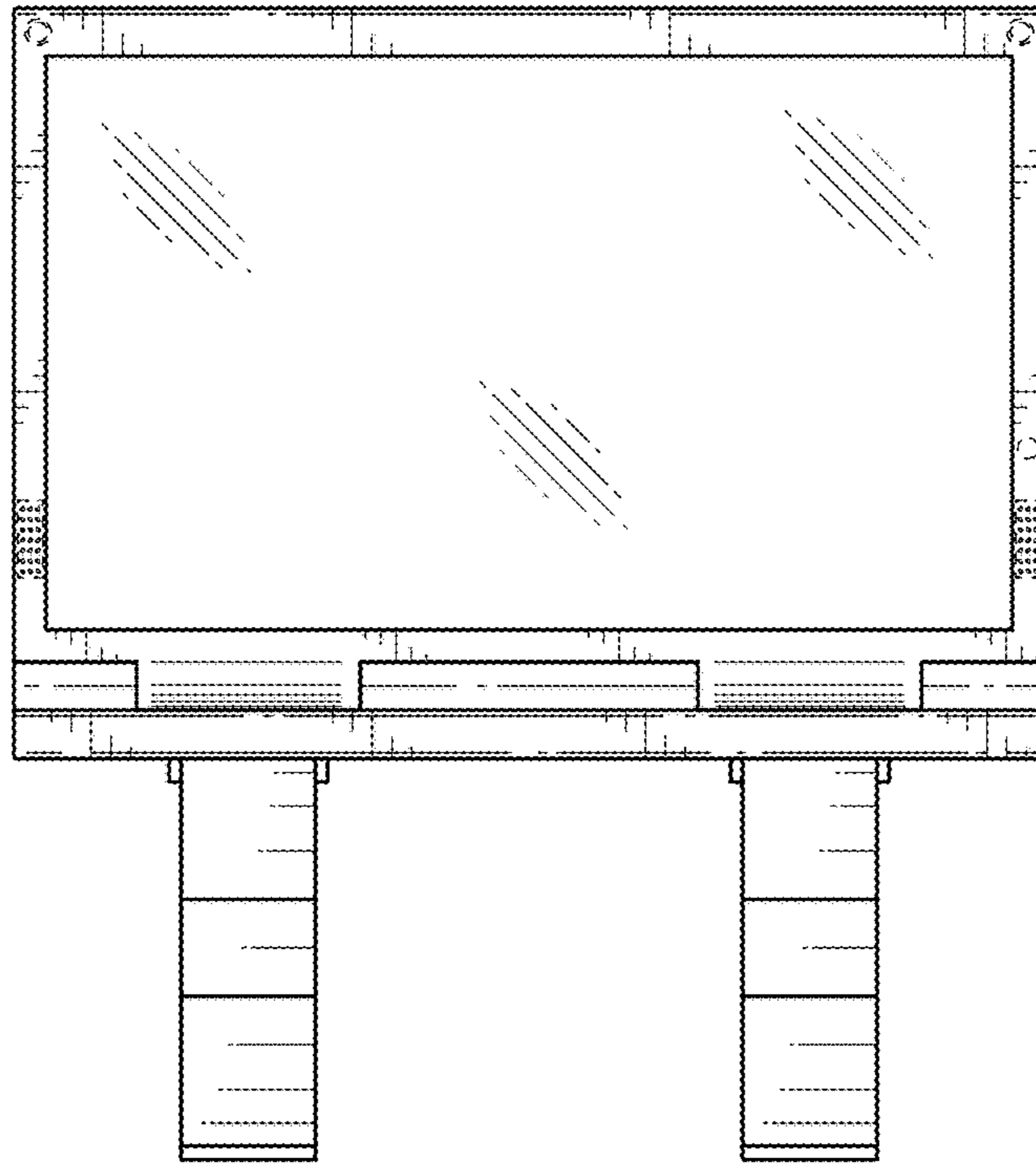


FIG. 2

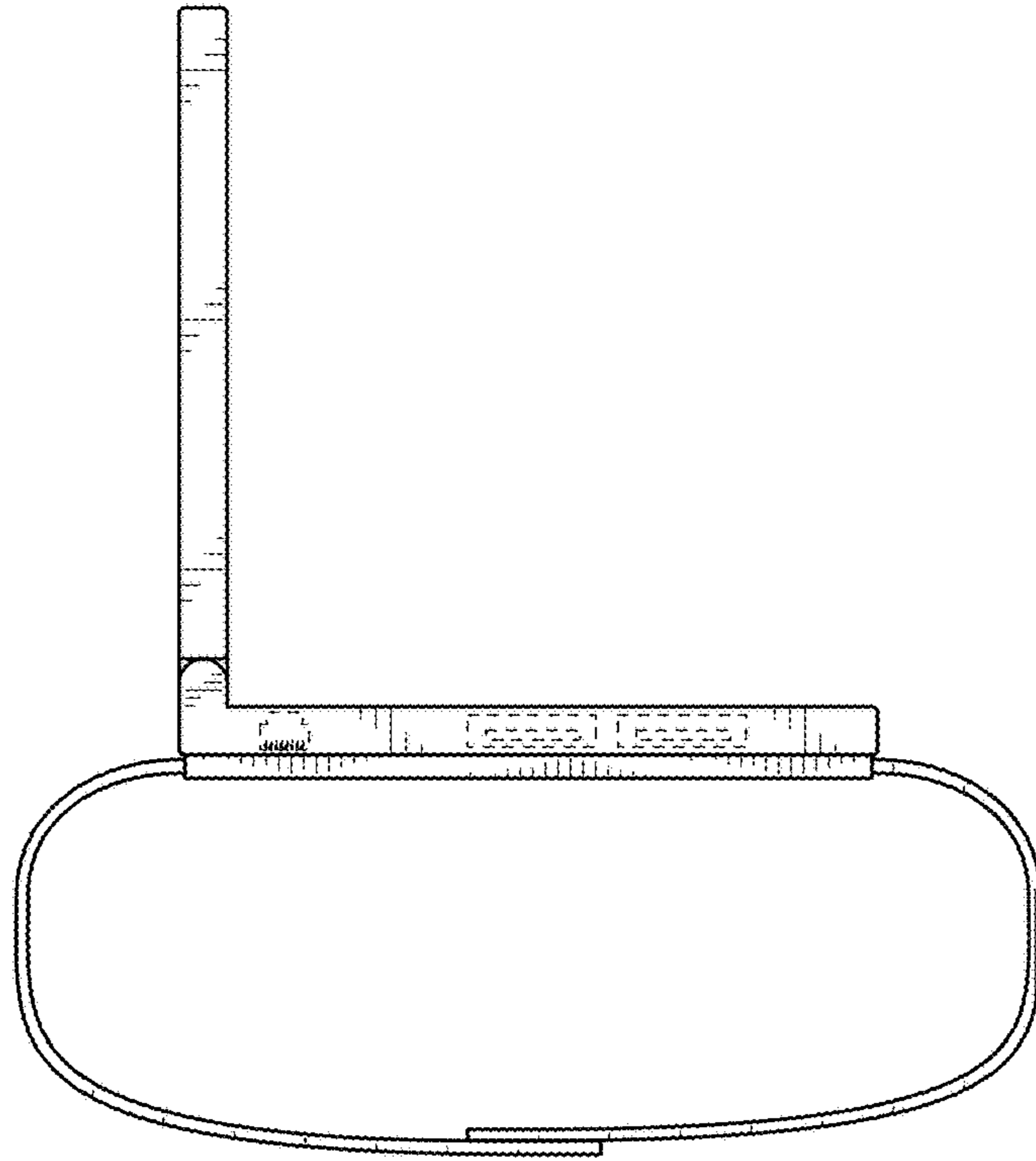


FIG. 3

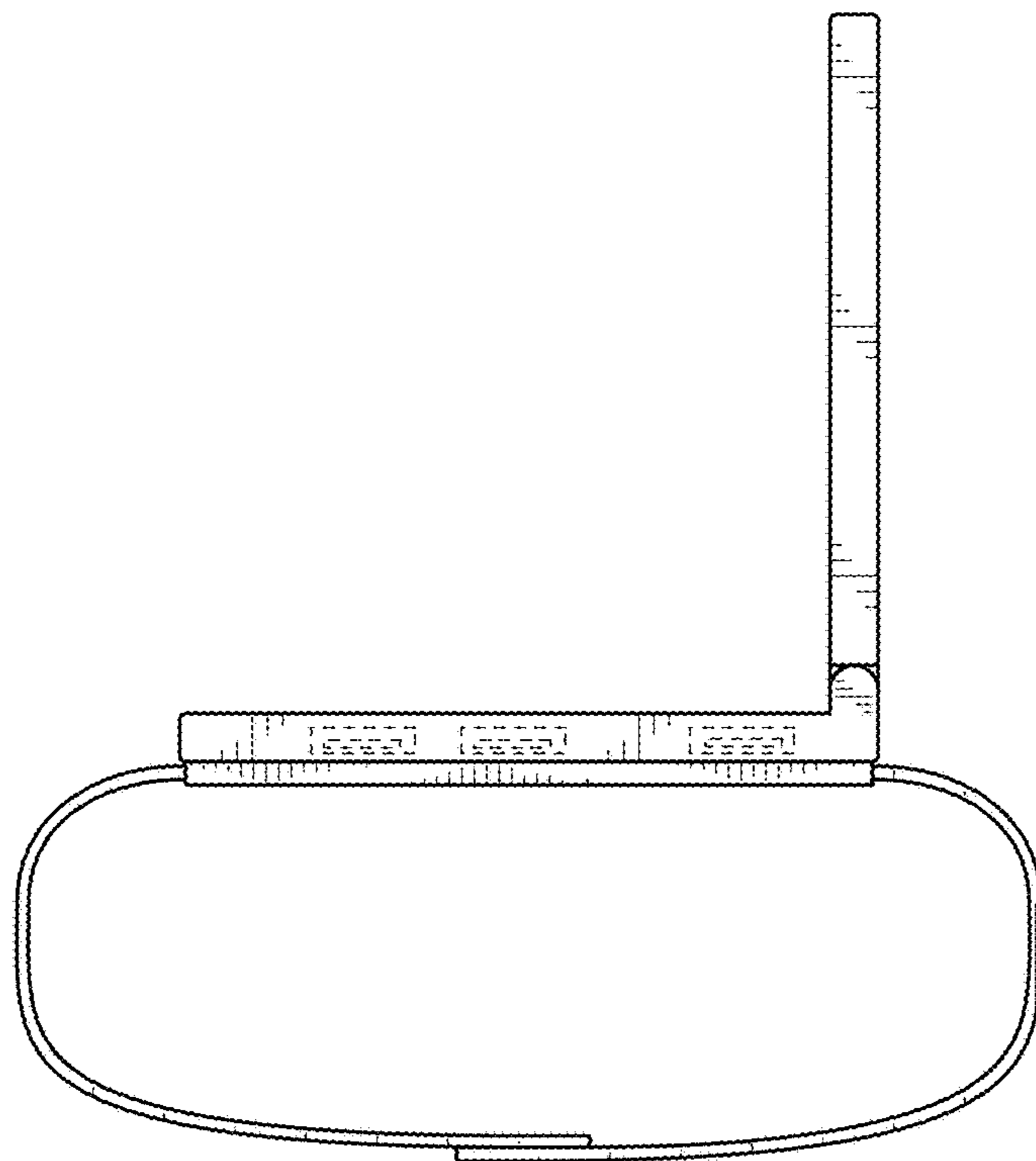


FIG. 4

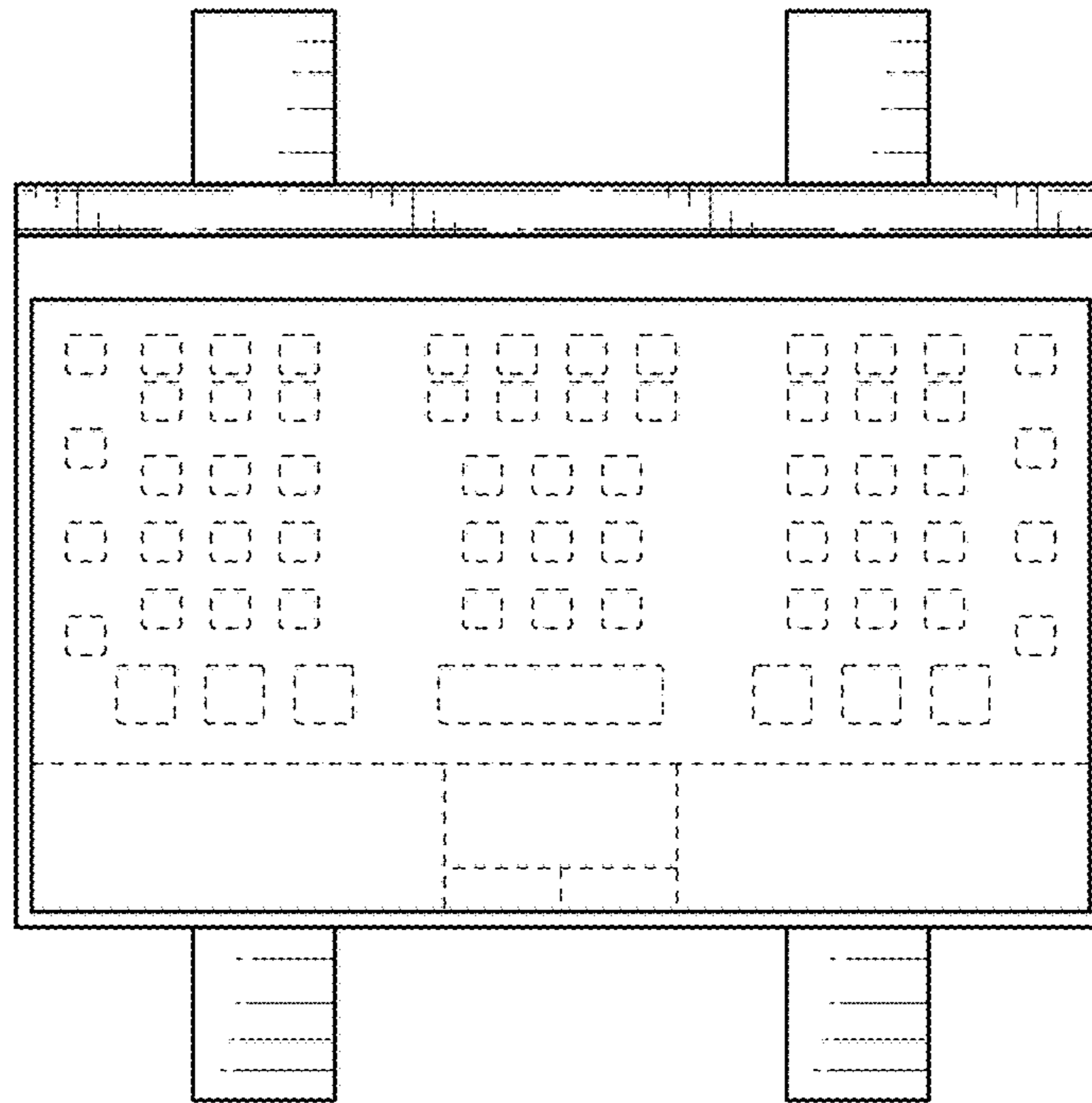


FIG. 5

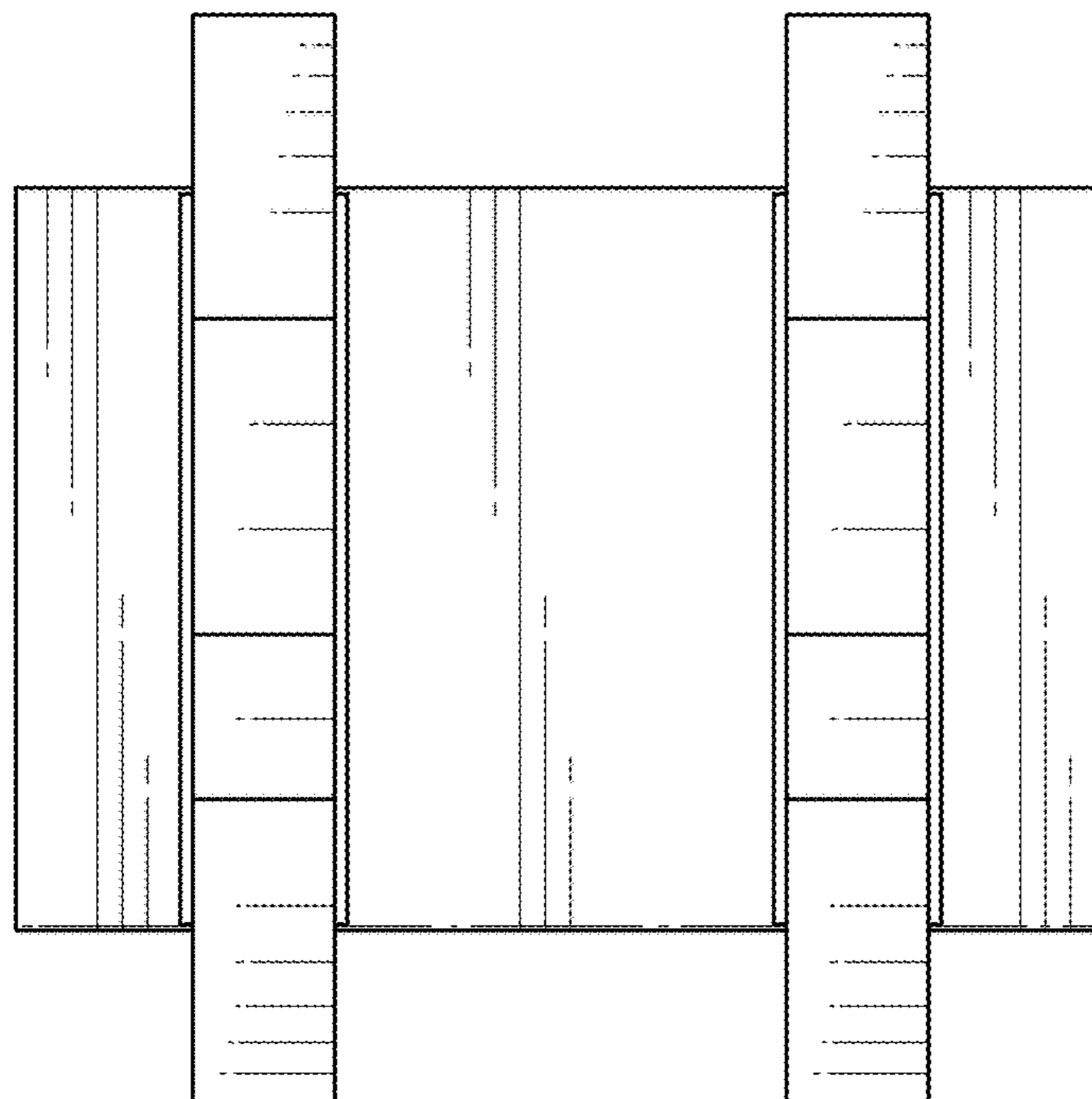


FIG. 6

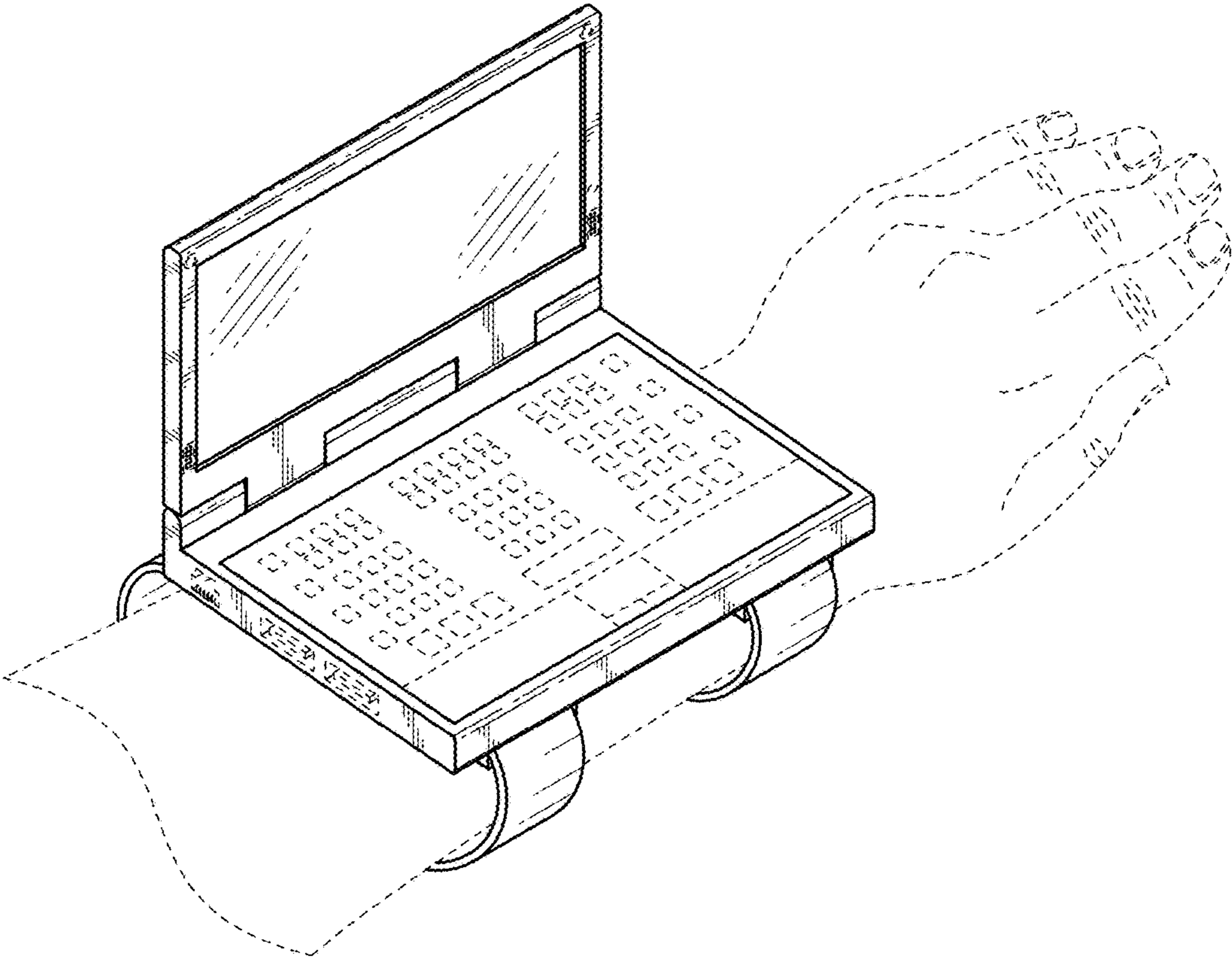


FIG. 7