



US00D827635S

(12) **United States Design Patent** (10) **Patent No.:** **US D827,635 S**  
**Wei** (45) **Date of Patent:** **\*\* Sep. 4, 2018**

(54) **GRAPHIC TABLET**

(71) Applicant: **Luo Wei**, Guangdong (CN)

(72) Inventor: **Luo Wei**, Guangdong (CN)

(73) Assignee: **SHENZHEN HUION ANIMATION TECHNOLOGY CO. LTD.**, Shenzhen, Guangdong (CN)

(\*\*) Term: **15 Years**

(21) Appl. No.: **29/586,773**

(22) Filed: **Dec. 7, 2016**

(51) **LOC (11) Cl.** ..... **14-02**

(52) **U.S. Cl.**  
USPC ..... **D14/341**

(58) **Field of Classification Search**

USPC ..... D14/341-347, 125-134, 137, 138 R, D14/138 AA, 138 AB, 138 C, 138 G, 147, D14/203.1, 203.3, 203.4, 203.7, 218, 247, D14/248, 332, 336, 371, 374-377, 388, D14/389, 315-318, 420, 426, 429, 440, D14/448, 450, 489, 492, 496; D6/300-310; D10/50, 65, 104.1; D16/241; D18/6; D20/10, 19, 39; D21/329, 330; 455/575.3  
CPC . A63H 33/3016; G06F 1/1613; G06F 1/1641; G06F 1/1643; G06F 1/1647; G06F 3/04883; G06F 3/0486; G06F 3/04847; G06F 3/04845; G06F 3/0484; G06F 3/04817; H05K 5/0004; H05K 5/0017; H05K 5/02; H05K 5/0217; H04M 1/0279; H04M 1/0281; H04M 1/0283; H04N 13/0459; G09B 21/02; G09B 21/025; G09B 21/04; G09B 21/00; G09B 21/001; G09B 21/002; G09B 21/003; G09B 21/004; G09B 21/005

See application file for complete search history.

(56) **References Cited**

U.S. PATENT DOCUMENTS

D284,084 S 6/1986 Ferrara, Jr.  
D308,198 S 5/1990 Tedham et al.  
D313,409 S 1/1991 Chowdhree et al.  
D377,169 S 1/1997 Chida  
D395,639 S 6/1998 Ham et al.  
D428,004 S \* 7/2000 Colvin ..... D14/345  
D477,318 S \* 7/2003 Shiao ..... D14/336

(Continued)

OTHER PUBLICATIONS

POSRUS Antiglare Touch Screen Protector for Wacom Cintiq 13HD, posted Apr. 24, 2013, [retrieved Dec. 11, 2017]. Retrieved from Internet, <URL: <https://www.amazon.com/POSRUS-Antiglare-Screen-Protector-Cintiq/dp/B00CICTUOK> >.\*

(Continued)

*Primary Examiner* — Barbara Fox

*Assistant Examiner* — Kristin E Reed

(74) *Attorney, Agent, or Firm* — Legalforce RAPC Worldwide

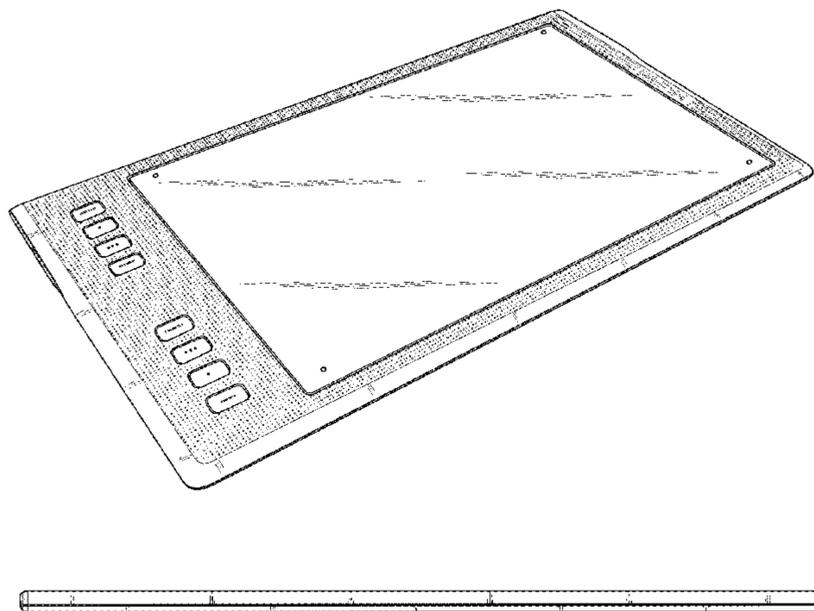
(57) **CLAIM**

The ornamental design for a graphic tablet, as shown and described.

**DESCRIPTION**

FIG. 1 is a front, bottom right perspective view for a graphic tablet, showing my new design;  
FIG. 2 is another perspective view thereof;  
FIG. 3 is a front elevational view thereof;  
FIG. 4 is a rear elevational view thereof;  
FIG. 5 is a top plan view thereof;  
FIG. 6 is a bottom plan elevational view thereof;  
FIG. 7 is a right side elevational view thereof; and,  
FIG. 8 is a left side elevational view thereof.  
The broken lines in the figures depict portions of the graphic tablet that form no part of the claimed design.

**1 Claim, 6 Drawing Sheets**



(56)

References Cited

U.S. PATENT DOCUMENTS

D481,719	S	11/2003	Okawa et al.	
D485,265	S	1/2004	Sato et al.	
D487,742	S	3/2004	Huang	
D494,164	S	8/2004	Wu et al.	
D504,889	S	5/2005	Andre et al.	
D506,195	S	6/2005	Leveridge et al.	
D509,827	S	9/2005	Johnson	
D524,308	S *	7/2006	Lai	D14/341
D589,961	S	4/2009	Hackenberg et al.	
D601,560	S *	10/2009	Matsumoto	D14/346
D607,883	S *	1/2010	Fujita	D14/341
D631,047	S *	1/2011	Hirota	D14/390
D637,597	S *	5/2011	Seong	D14/346
8,018,431	B1 *	9/2011	Zehr	G06F 1/1626 345/156
D649,190	S	11/2011	Goodall	
D662,932	S *	7/2012	Park	D14/341
D665,799	S *	8/2012	Massaro	D14/315
D666,618	S *	9/2012	Doyea	D14/371
D670,286	S	11/2012	Akana et al.	
D676,440	S *	2/2013	Kita	D14/341
D690,696	S *	10/2013	Jonsson	D14/390
D702,235	S *	4/2014	Jonsson	D14/390
D716,301	S	10/2014	Almond	
D730,345	S *	5/2015	Lee	D14/315
9,066,442	B2 *	6/2015	Huebner	F16M 11/10
D748,674	S	2/2016	Cheung	
D753,223	S	4/2016	Chin	
D772,864	S	11/2016	Musch et al.	
D778,903	S	2/2017	Tsai	
D781,846	S *	3/2017	Hasegawa	D14/341
2013/0161179	A1 *	6/2013	Tamura	H03K 17/962 200/600

OTHER PUBLICATIONS

Huion H610 USB Professional Art Graphics Drawing Pad Design Pen 10"x6" with Touch Pen for Windows Mac Os, posted Jul. 14, 2015, [retrieved Dec. 11, 2017]. Retrieved from Internet, <URL: <https://www.amazon.com/Huion-Professional-Graphics-Drawing-Windows/dp/B00LL4DMC2> >.\*

Tech Talk #9—Drawings Tablets, posted Mar. 25, 2013, [retrieved Dec. 11, 2017]. Retrieved from Internet, <URL: <http://art.emich.edu/news/tech-talk-9-drawing-tablets> >.\*

Huion H420 by HUION, Found online [Dec. 12, 2016] <http://www.graphicstabledguru.com/wp-content/uploads/2016/03/huion-h420-1000x1000.jpg>.

Huion 420 by HUION, Found online [Dec. 12, 2016] [https://images-na.ssl-images-amazon.com/images/I/31Pq294X4gL.\\_SY300\\_.jpg](https://images-na.ssl-images-amazon.com/images/I/31Pq294X4gL._SY300_.jpg).

Huion 680TF by HUION, Found online [Dec. 12, 2016] <https://goo.gl/kkMMJQ>.

Huion H610 by HUION, Found online [Dec. 12, 2016] [https://digimend.github.io/tablets/Huion\\_H610/Huion\\_H610.jpg](https://digimend.github.io/tablets/Huion_H610/Huion_H610.jpg).

Huion K58 by HUION, Found online [Dec. 12, 2016] <http://conceptartempire.com/images/07/938/huion-k58-drawing-tablet-photo.jpg>.

Huion 1060PRO+ by HUION, Found online [Dec. 12, 2016] [https://images-na.ssl-images-amazon.com/images/I/41rXpbRIkhL.\\_SY355\\_.jpg](https://images-na.ssl-images-amazon.com/images/I/41rXpbRIkhL._SY355_.jpg).

Huion H58L by Huion, Found online [Dec. 12, 2016] <http://multimediakingdom.com.bd/wp-content/uploads/2016/04/1026608578.jpg>.

Huion H610PRO by HUION, Found online [Dec. 12, 2016] <https://cdn.fstoppers.com/styles/full/s3/media/2016/02/22/cheap-graphics-tablet.jpg>.

Huion 680S by HUION, Found online [Dec. 12, 2016] [https://www.artsartreviews.com/wp-content/uploads/2016/11/img\\_2591-1024x683.jpg](https://www.artsartreviews.com/wp-content/uploads/2016/11/img_2591-1024x683.jpg).

Huion DWH69 by HUION, Found online [Dec. 12, 2016] <https://goo.gl/f2JYyw>.

Huion WH1409 by HUION, Found online [Dec. 12, 2016] <http://i.ebayimg.com/images/g/KSYAAOSwoBtW6QuB/s-1300.jpg>.

Huion G10T by HUION, Found online [Dec. 12, 2016] [http://www.techtoyreviews.com/wp-content/uploads/2016/09/2371\\_1.jpg](http://www.techtoyreviews.com/wp-content/uploads/2016/09/2371_1.jpg).

Huion 1060 Plus try HUION, Found online [Dec. 12, 2016] [http://ecx.images-amazon.com/images/I/718swwYiruL.\\_SL1500\\_.jpg](http://ecx.images-amazon.com/images/I/718swwYiruL._SL1500_.jpg).

Ugee HK1060 Pro Graphic Drawing Tablet by UGEE, Found online [Feb. 20, 2017] [https://images-na.ssl-images-amazon.com/images/I/51gKIBUcDpL.\\_SL1001\\_.jpg](https://images-na.ssl-images-amazon.com/images/I/51gKIBUcDpL._SL1001_.jpg).

Ugee M708 Art Design Graphics Drawing Tablet by UGEE, Found online [Feb. 20, 2017] [https://images-na.ssl-images-amazon.com/images/I/51UjXHGjkGL.\\_SL1001\\_.jpg](https://images-na.ssl-images-amazon.com/images/I/51UjXHGjkGL._SL1001_.jpg).

Drawing Pad Tablet by XP-PEN, Found online [Feb. 20, 2017] <https://goo.gl/39MUCj>.

Bosto 22HDX by BOSTO, Found online [Feb. 20, 2017] <http://bosto-tablet.com/1/22hdx/22hdx-1.jpg>.

Multi-Touch Graphic Tablet by WACOM, Found online [Feb. 20, 2017] <https://goo.gl/QY3hal>.

Ugee M1000L Digital Graphics Drawing Tablet by UGEE, Found online [Feb. 20, 2017] [https://images-na.ssl-images-amazon.com/images/I/51cNXoBeWuL.\\_SL1001\\_.jpg](https://images-na.ssl-images-amazon.com/images/I/51cNXoBeWuL._SL1001_.jpg).

Wacom Bamboo Capture Graphics Tablet by WACOM, Found online [Feb. 20, 2017] <https://images-na.ssl-images-amazon.com/images/I/31Lk2ce1eaL.jpg>.

Splash Pen Tablet by WACOM Bamboo, Found online [Feb. 20, 2017] <http://i.ebayimg.com/images/g/~KUAAOSw2XFUda~-/s-1300.jpg>.

\* cited by examiner

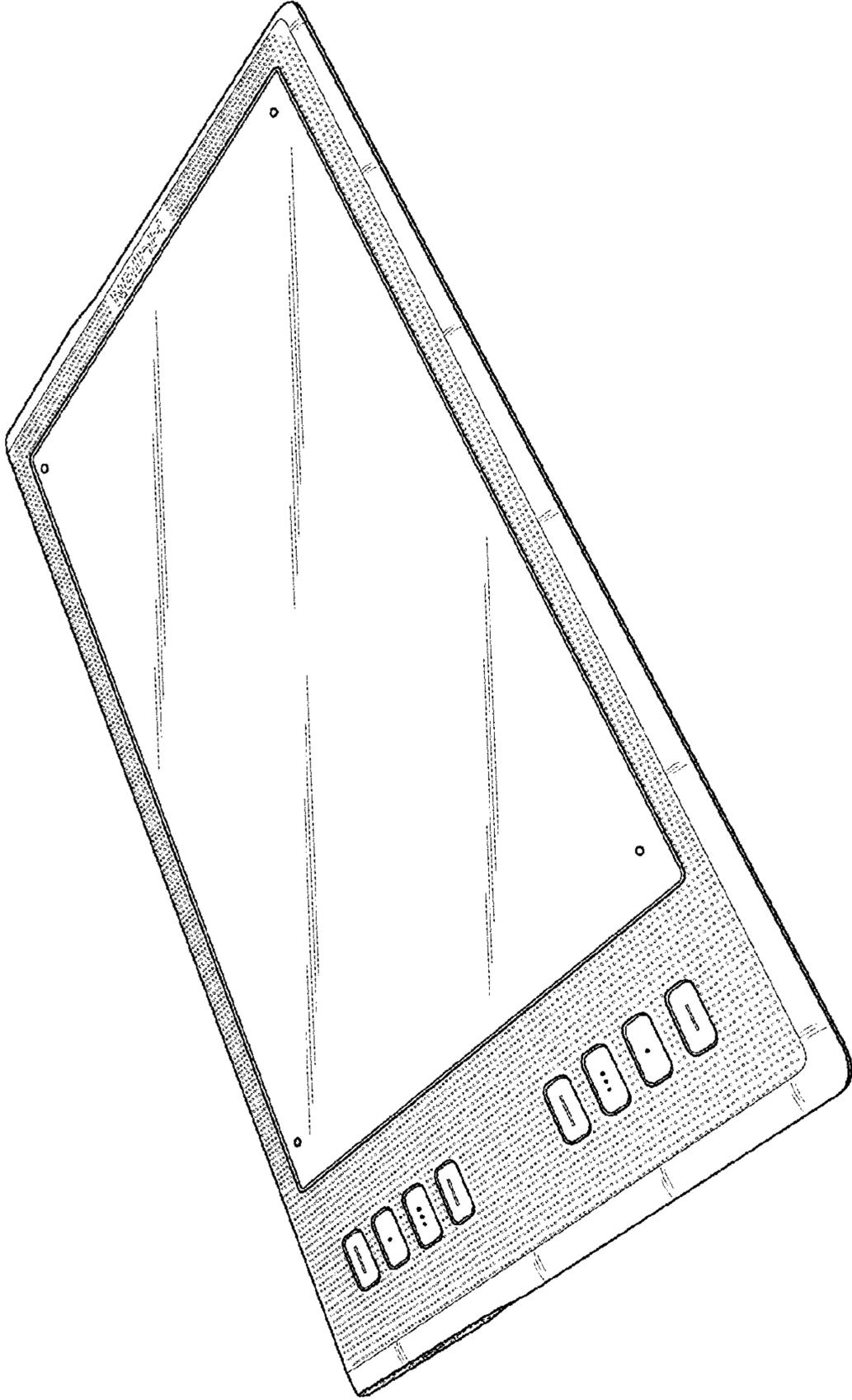


FIG. 1

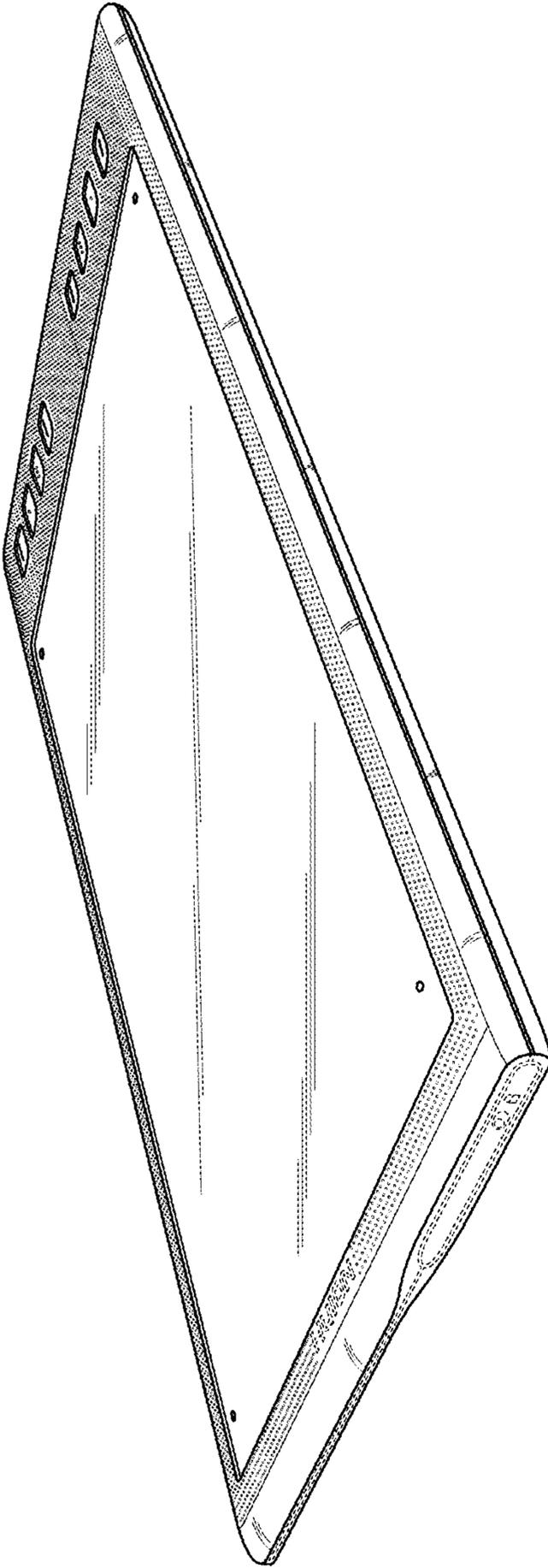


FIG. 2

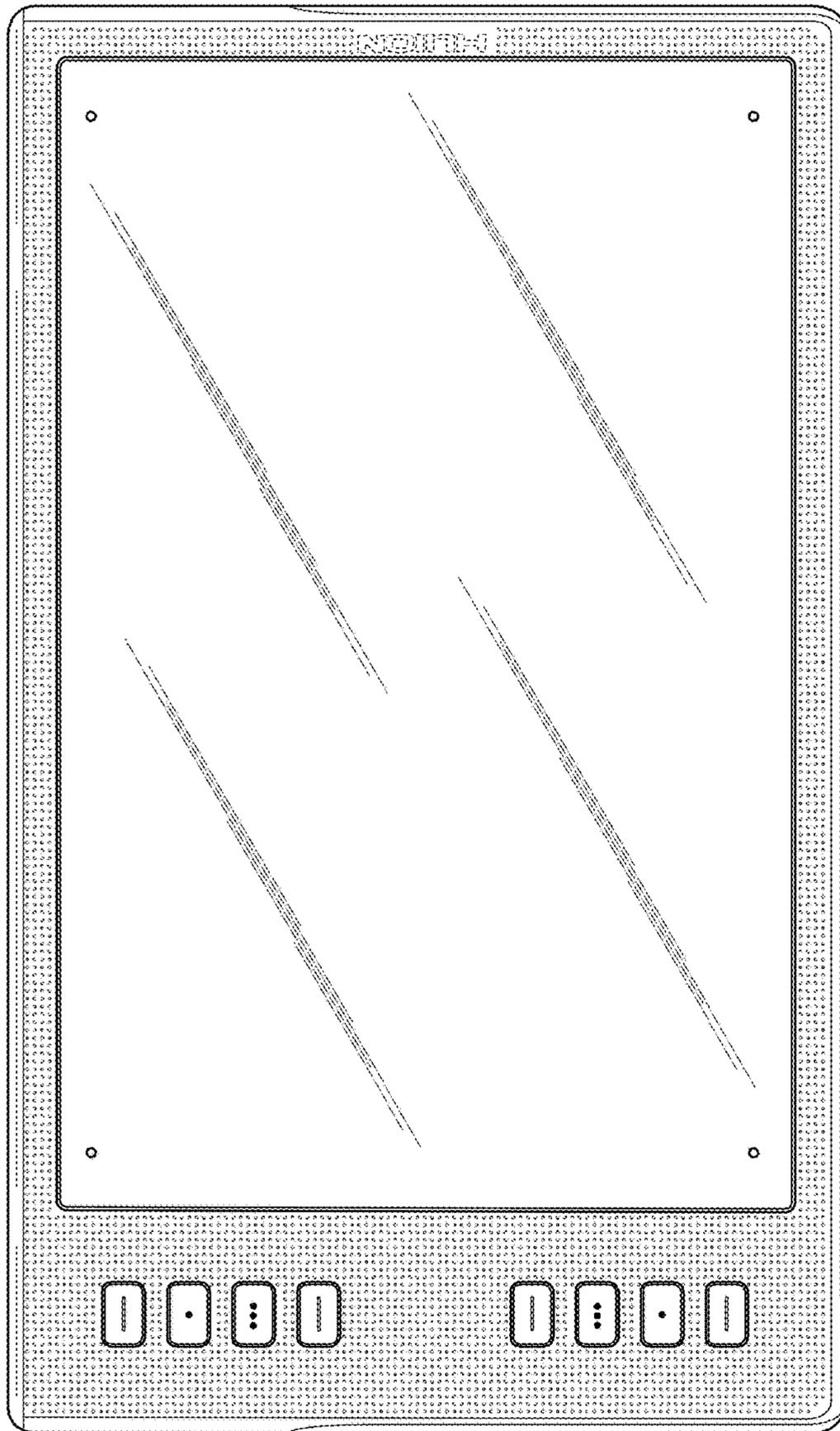


FIG. 3

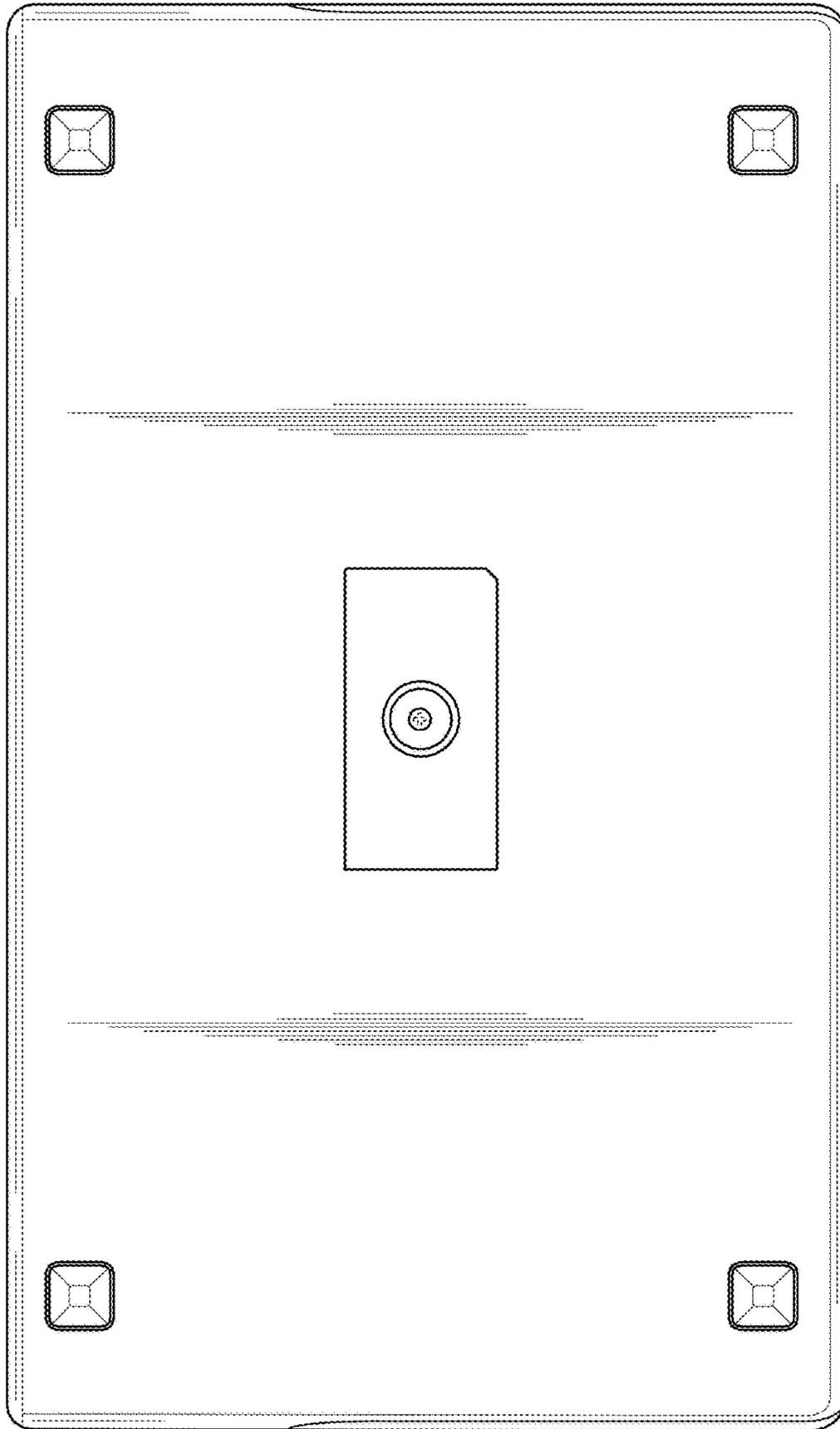


FIG. 4

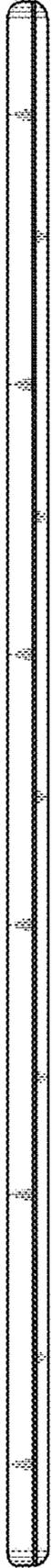


FIG. 5

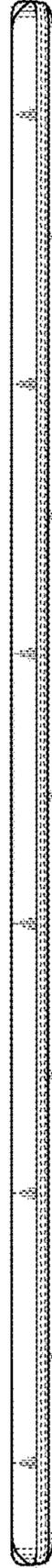


FIG. 6

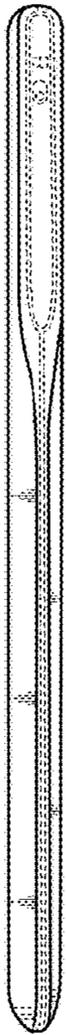


FIG. 7

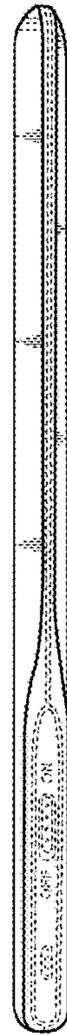


FIG. 8