



US00D827629S

(12) **United States Design Patent**
Yu

(10) **Patent No.:** **US D827,629 S**
(45) **Date of Patent:** **** Sep. 4, 2018**

- (54) **MOBILE PHONE CASE**
- (71) Applicant: **Liangliang Yu, Jiangxi (CN)**
- (72) Inventor: **Liangliang Yu, Jiangxi (CN)**
- (**) Term: **15 Years**
- (21) Appl. No.: **29/588,286**
- (22) Filed: **Dec. 20, 2016**
- (51) **LOC (11) Cl.** **14-03**
- (52) **U.S. Cl.**
USPC **D14/250**
- (58) **Field of Classification Search**
USPC D3/218, 232, 233, 239, 242, 245-251,
D3/269, 273, 301, 303; D13/103, 107,
D13/108, 119; D14/137, 138 R, 138 AA,
D14/138 C, 138 G, 203.3-203.7, 217,
D14/238.1, 247, 248, 250, 251-253, 440
CPC H04B 1/3888; H04M 1/0283;
H04M 1/0202; A45C 1/06; A45C
2011/002; A45C 11/00; A45F 2005/028;
A45F 2200/0525
See application file for complete search history.

- D724,593 S * 3/2015 Cohen D14/440
- D759,646 S * 6/2016 Karis D14/250
- D762,632 S * 8/2016 Karis D14/250
- D765,069 S * 8/2016 Jeffrey D14/250

* cited by examiner

Primary Examiner — Susan E Krakower
Assistant Examiner — L. A. Grabenstetter

(57) **CLAIM**

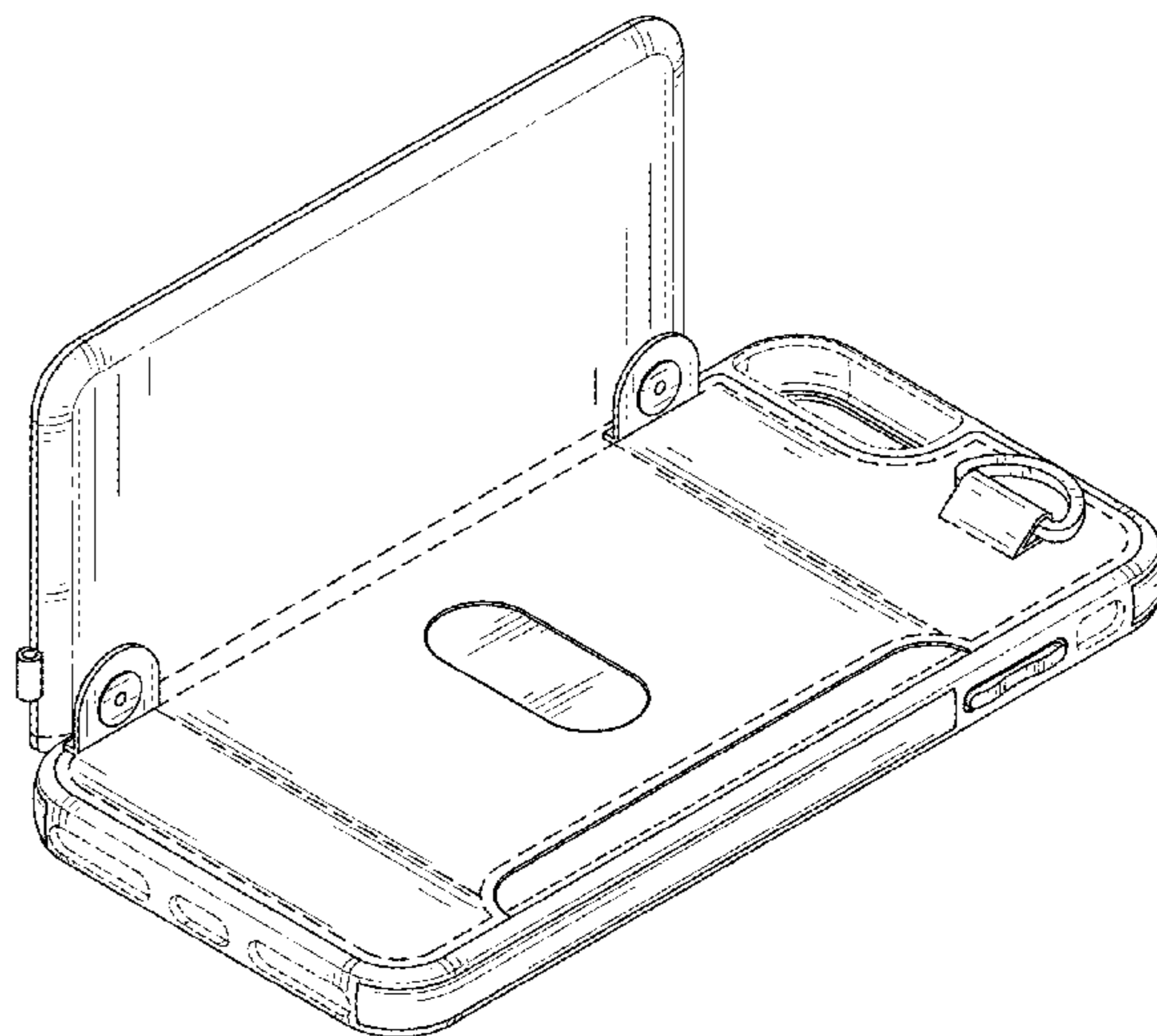
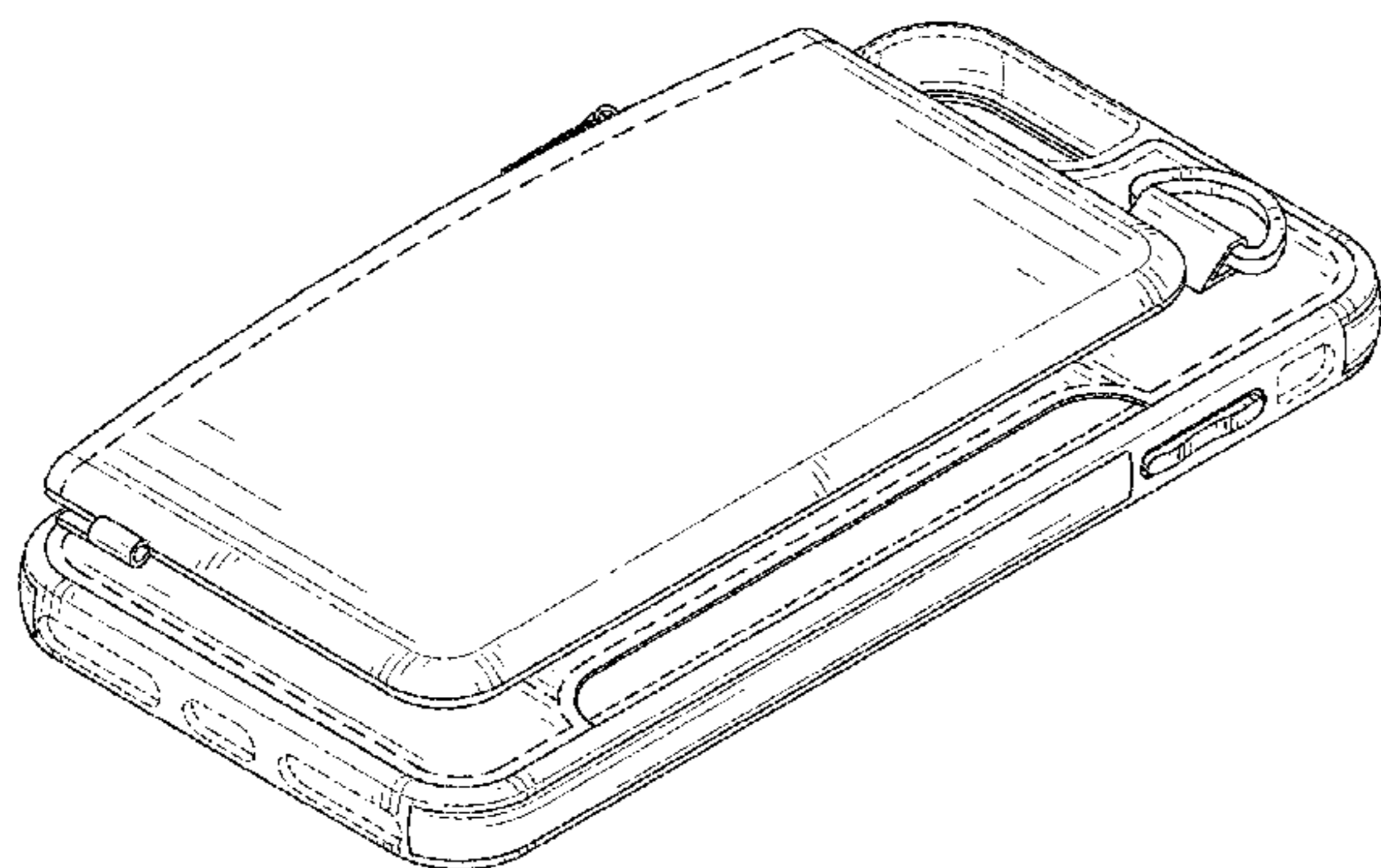
The ornamental design for a mobile phone case, as shown and described.

DESCRIPTION

FIG. 1 is a front elevational view of a mobile phone case showing my new design;
 FIG. 2 is a rear elevational view thereof;
 FIG. 3 is a left side view thereof;
 FIG. 4 is a right side view thereof;
 FIG. 5 is a top plan view thereof;
 FIG. 6 is a bottom plan view thereof;
 FIG. 7 is a front, bottom, right side perspective view thereof;
 FIG. 8 is rear, bottom, left side perspective view thereof;
 FIG. 9 is a second front, bottom, right side perspective view thereof, with the pocket element shown detached from the case portion; and,
 FIG. 10 is a second rear, bottom, left side perspective view thereof, with the pocket element in a flipped configuration, forming a 90 degree angle with respect to the case element. The broken line apertures represent unclaimed portions of the mobile phone case. The broken line stitching on the rear surface of the case element and on the pocket element represent claimed stitching.

1 Claim, 7 Drawing Sheets

- (56) **References Cited**
U.S. PATENT DOCUMENTS
D440,041 S * 4/2001 Fermin D3/226
D533,348 S * 12/2006 Andre D3/303
D615,078 S * 5/2010 Bradley D14/250
D647,697 S * 11/2011 Littleton D3/249
D688,655 S * 8/2013 Rey-Hipolito D14/250
D705,764 S * 5/2014 Thoni D14/250
D706,536 S * 6/2014 Nikosey D3/247
D721,689 S * 1/2015 Altschul H04B 1/3888
D14/250
D723,798 S * 3/2015 Sha D3/247



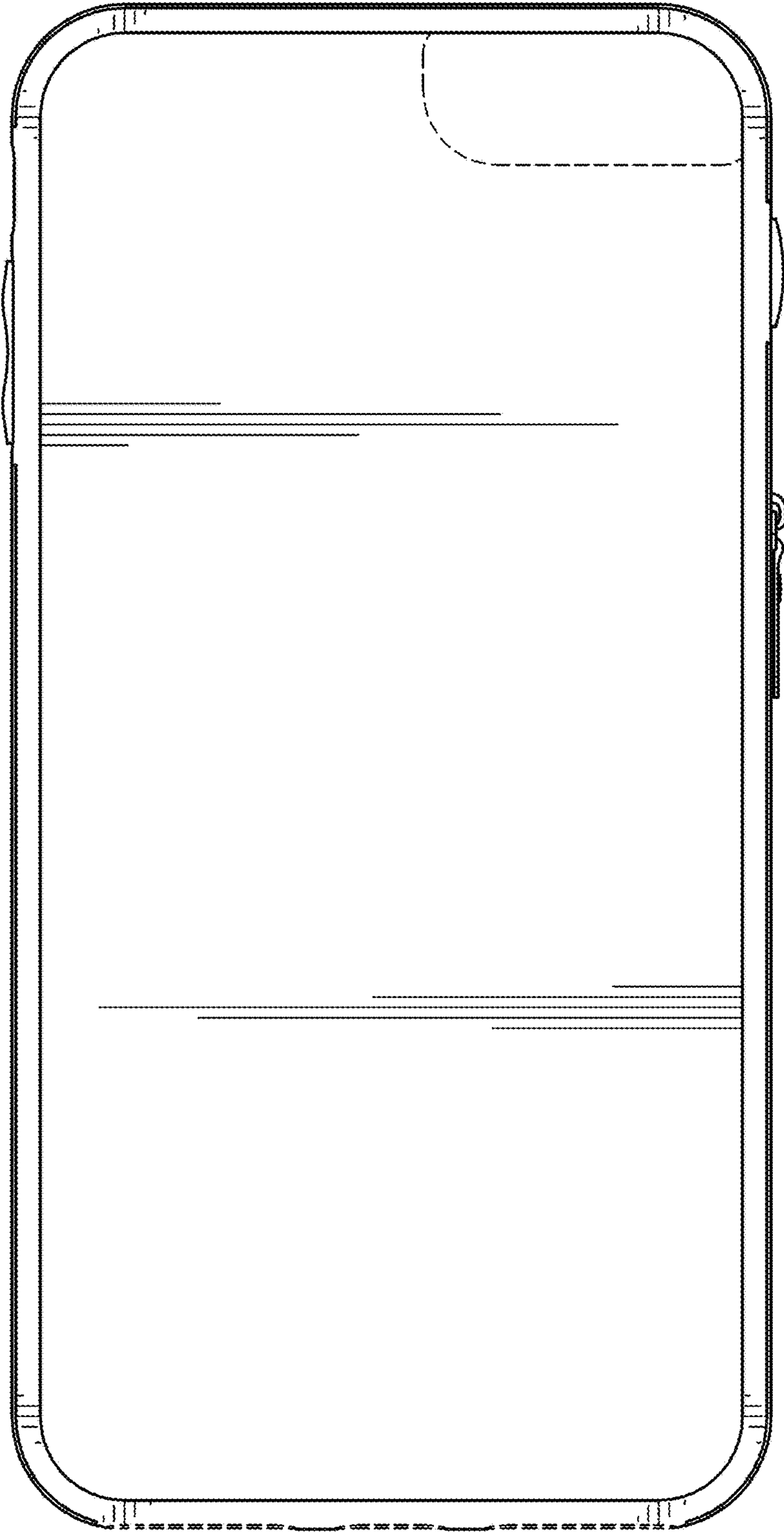


FIG. 1

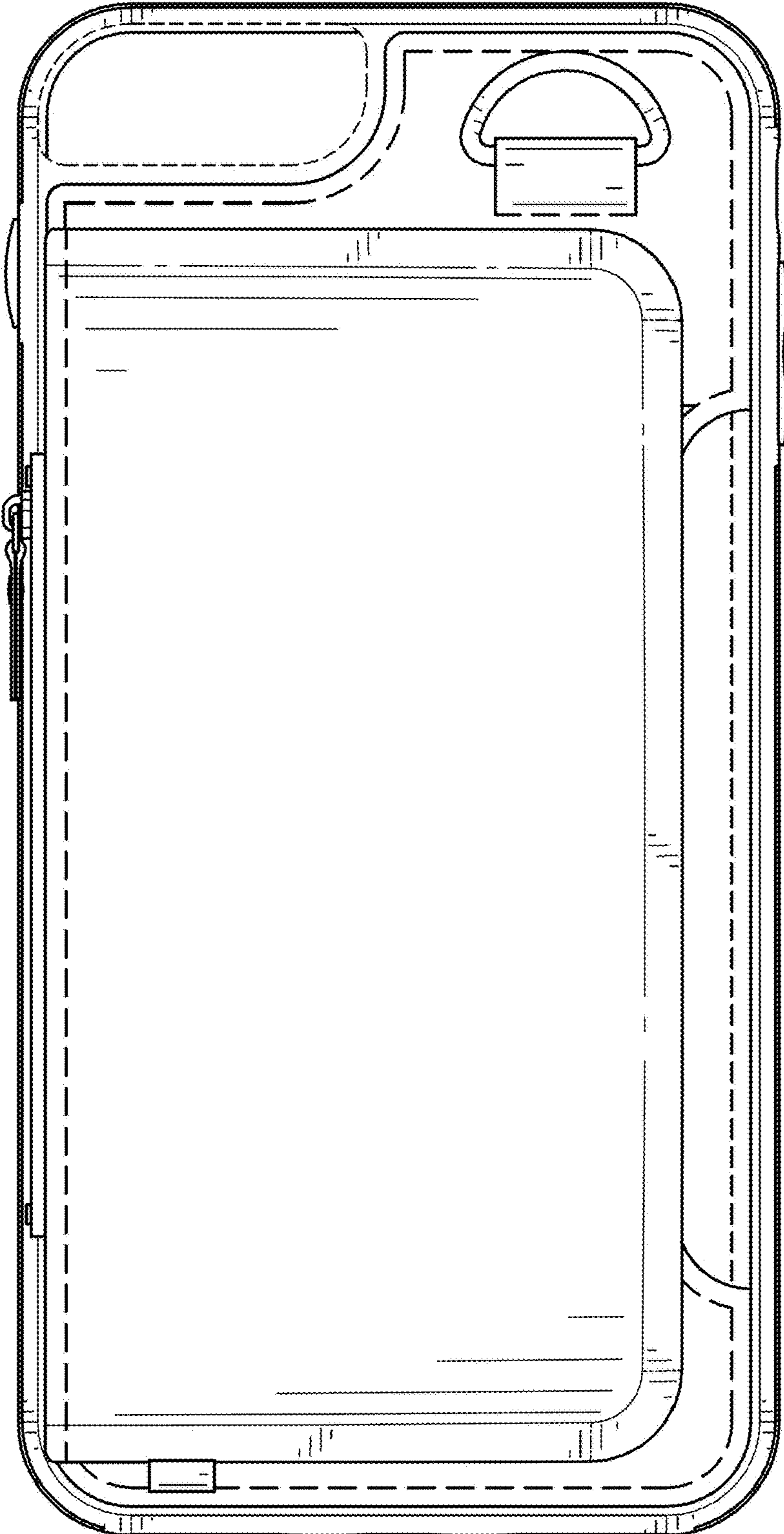


FIG. 2

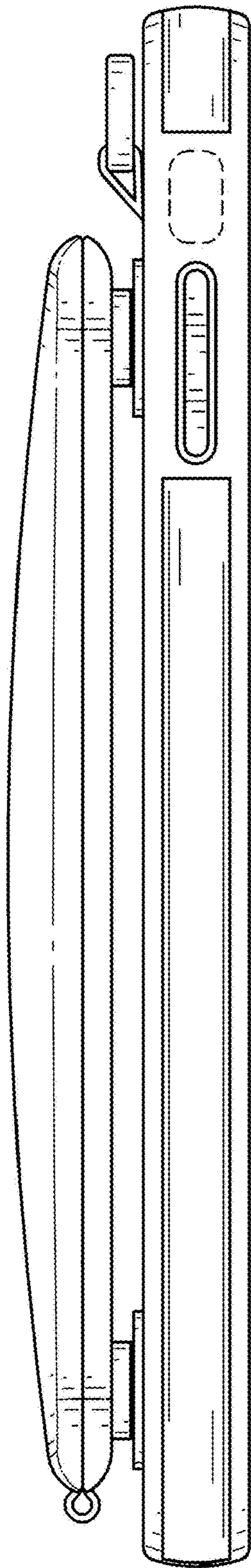


FIG. 3

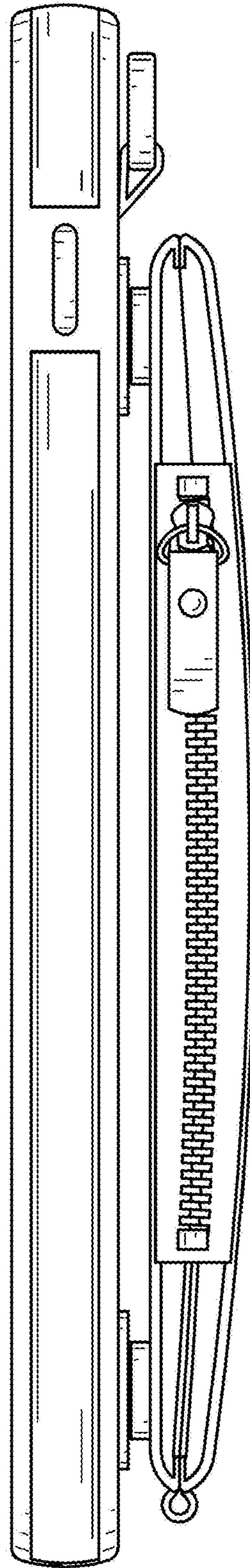


FIG. 4

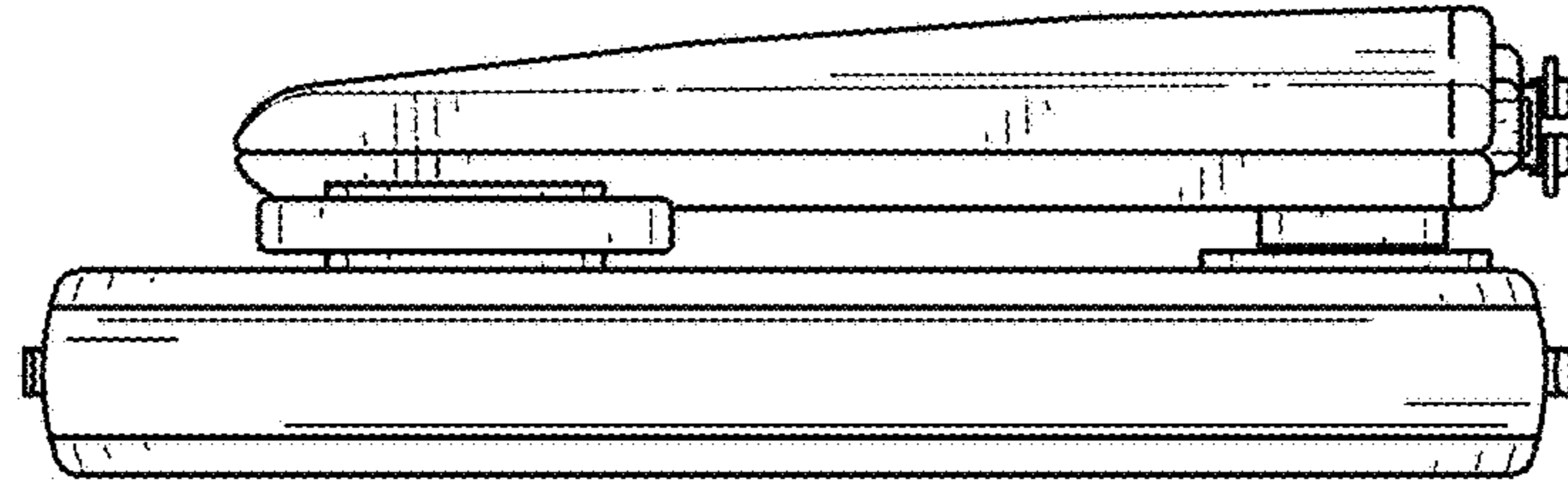


FIG. 5

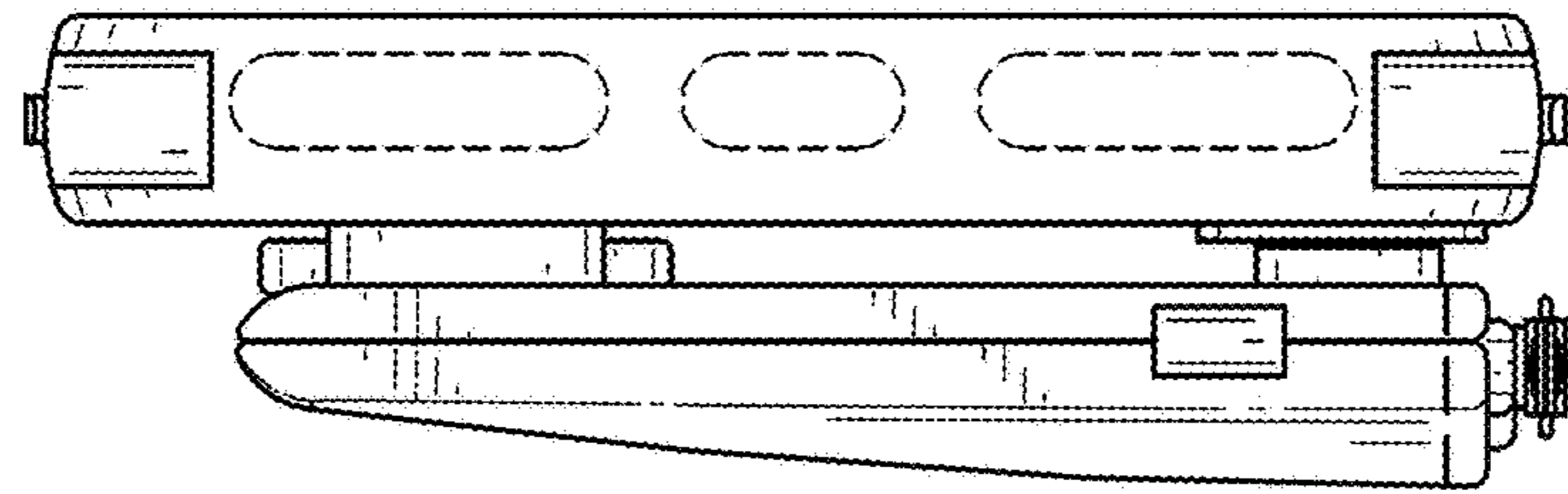


FIG. 6

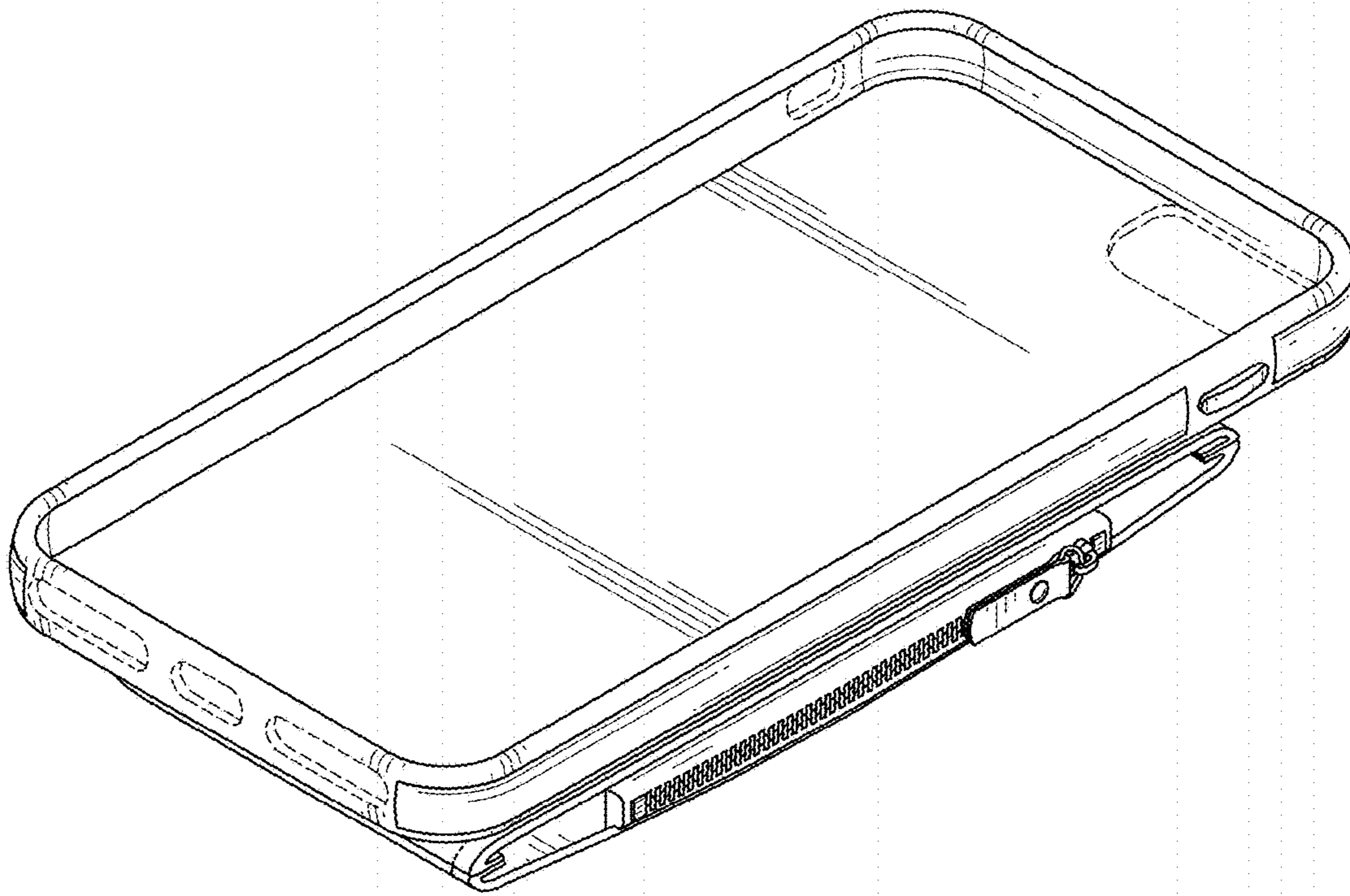


FIG. 7

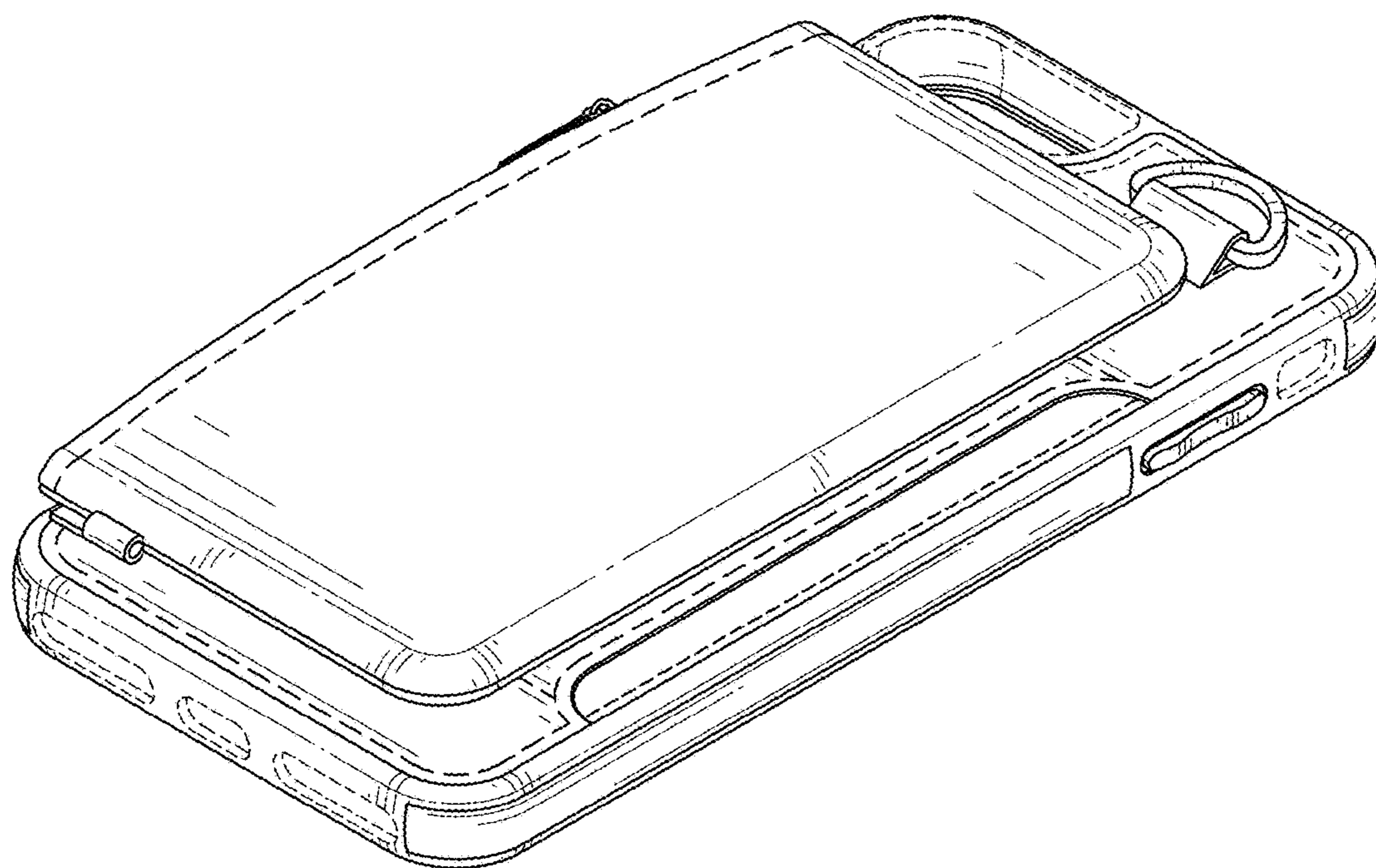


FIG. 8

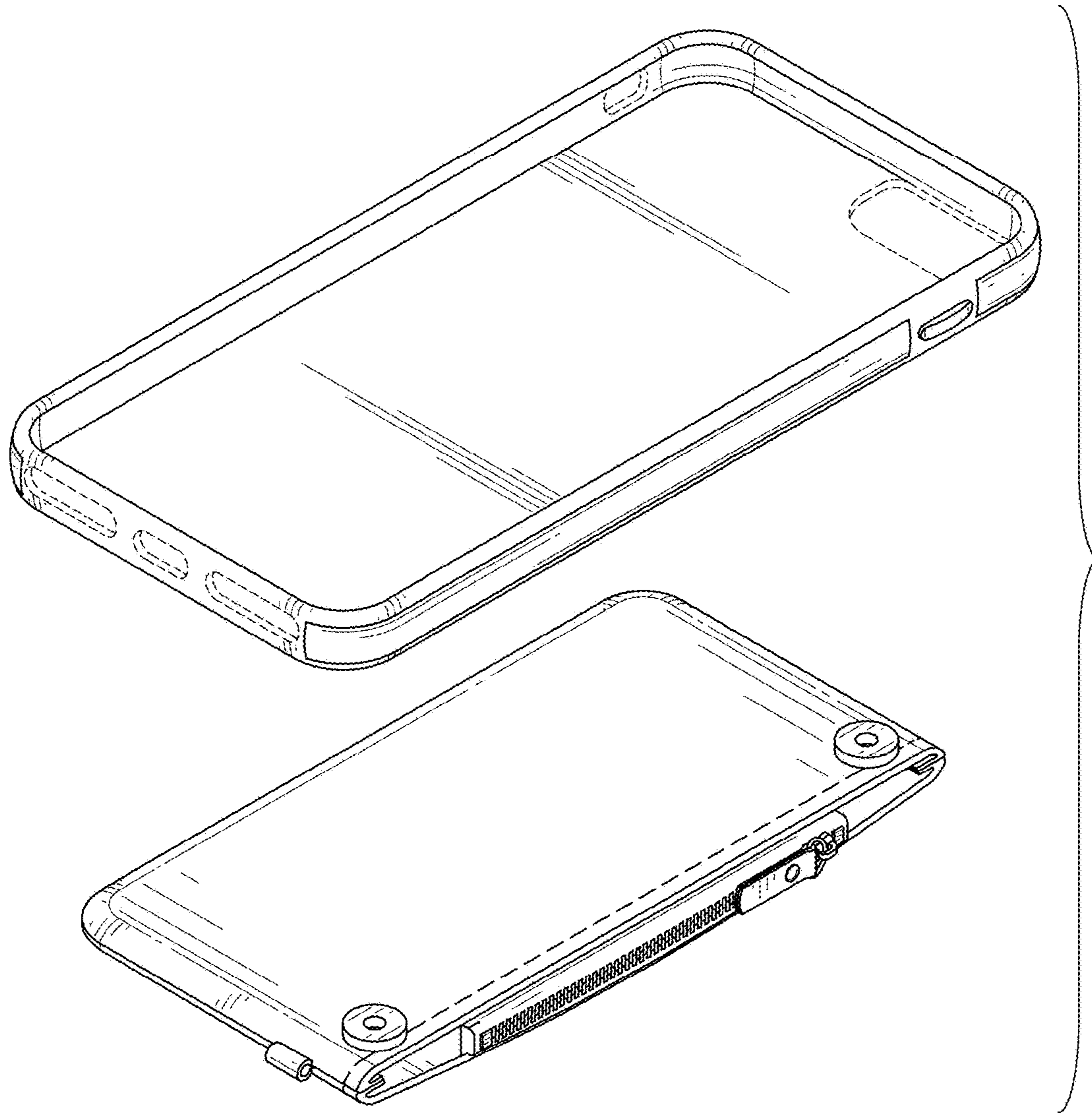


FIG. 9

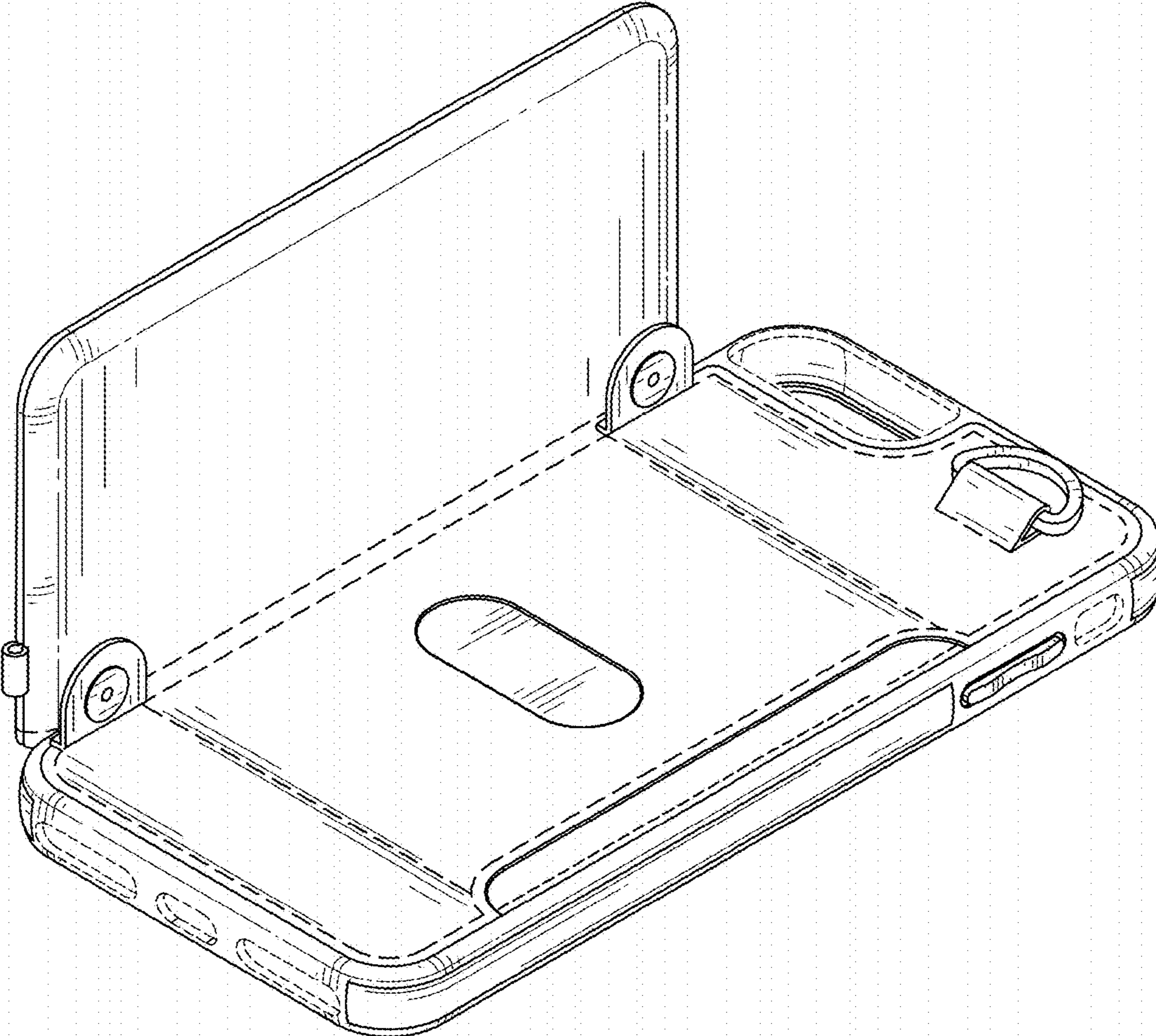


FIG. 10