



US00D827627S

(12) **United States Design Patent** (10) **Patent No.:** **US D827,627 S**  
**Lee** (45) **Date of Patent:** **\*\* Sep. 4, 2018**

(54) **CASE FOR ELECTRONIC COMMUNICATIONS DEVICE**  
(71) Applicant: **Bum Joon Lee**, Seoul (KR)  
(72) Inventor: **Bum Joon Lee**, Seoul (KR)  
(73) Assignee: **SPIGEN KOREA CO., LTD.**,  
Bongeunsa-ro Gangnam-gu, Seoul (KR)  
(\*\*) Term: **15 Years**  
(21) Appl. No.: **29/573,515**  
(22) Filed: **Aug. 5, 2016**  
(51) **LOC (11) Cl.** ..... **14-03**  
(52) **U.S. Cl.**  
USPC ..... **D14/250**  
(58) **Field of Classification Search**  
USPC ..... D14/238.1, 440, 203.3–203.7, 217, 240,  
D14/447, 250, 251–253, 248; D3/201,  
(Continued)

(56) **References Cited**  
U.S. PATENT DOCUMENTS  
D625,303 S \* 10/2010 Kim ..... D14/250  
D632,685 S \* 2/2011 Richardson ..... D14/250  
(Continued)

*Primary Examiner* — Carla J Wright  
(74) *Attorney, Agent, or Firm* — Heedong Chae; Lucem,  
PC

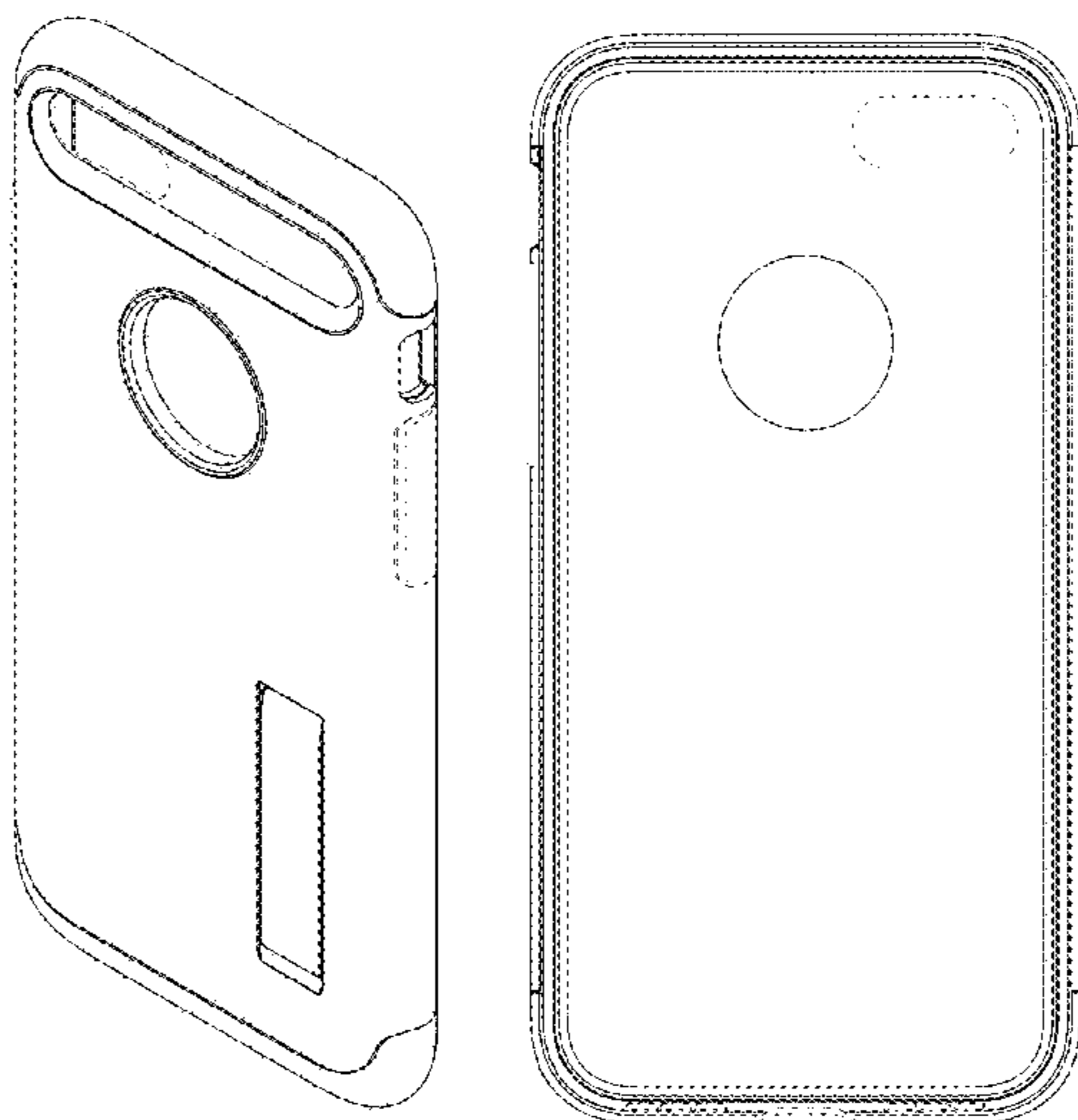
(57) **CLAIM**  
The ornamental design for a case for electronic communications device, as shown and described.

**DESCRIPTION**

FIG. 1 is a front perspective view of a case for an electronic communications device showing my new design;

FIG. 2 is a rear perspective view thereof;  
FIG. 3 is a front elevational view thereof;  
FIG. 4 is a rear elevational view thereof;  
FIG. 5 is a left side elevational view thereof;  
FIG. 6 is a right side elevational view thereof;  
FIG. 7 is a top plan view thereof;  
FIG. 8 is a bottom plan view thereof;  
FIG. 9 is a rear perspective view thereof showing the support leg in an extended position;  
FIG. 10 is an exploded front perspective view of the case for electronic communications device with the components of the case shown separated for clarity of disclosure;  
FIG. 11 is an exploded rear perspective view of the case for electronic communications device with the components of the case shown separated for clarity of disclosure;  
FIG. 12 is a front perspective view of the inner shell component of the case shown separately for clarity of disclosure;  
FIG. 13 is a rear perspective view of the inner shell component of the case shown separately for clarity of disclosure;  
FIG. 14 is a front perspective view of the support leg component of the case shown separately for clarity of disclosure;  
FIG. 15 is a rear perspective view of the support leg component of the case shown separately for clarity of disclosure;  
FIG. 16 is a front perspective view of the outer frame component of the case shown separately for clarity of disclosure; and,  
FIG. 17 is a rear perspective view of the outer frame component of the case shown separately for clarity of disclosure.  
The broken lines throughout the drawing figures depict portions of the case for electronic communications device that form no part of the claimed design. The broken lines and regions bounded by broken lines form no part of the claimed design.  
The interior cavity of the case shown in FIGS. 1, 3, and 10 forms no part of the claimed design.

**1 Claim, 17 Drawing Sheets**



# US D827,627 S

- (58) **Field of Classification Search**  
USPC ..... D3/218, 247, 269, 273, 301, 303;  
                                  D13/103, 107-108, 119  
CPC ..... H04B 1/3888; H04M 1/0283; H04M  
                                  1/0202; A45C 1/06; A45C 2011/002;  
                                  A45C 11/00; A45C 13/02; A45F  
                                  2005/026; A45F 2200/0525; A45F  
                                  2200/0516  
See application file for complete search history.

(56) **References Cited**

U.S. PATENT DOCUMENTS

D643,029 S \* 8/2011 Feng ..... D14/250  
D673,547 S \* 1/2013 Melanson ..... D14/250  
D676,844 S \* 2/2013 Weller ..... D14/250  
D681,022 S \* 4/2013 Chang ..... D14/250  
8,517,172 B1 \* 8/2013 Chang ..... G06F 1/1626  
  206/320  
D704,688 S \* 5/2014 Reivo ..... D14/250  
D714,274 S \* 9/2014 Jung ..... D14/250  
D717,774 S \* 11/2014 Fathollahi ..... D14/250  
D717,778 S \* 11/2014 Zermeno ..... D14/250  
D741,845 S 10/2015 Kim  
D744,480 S 12/2015 Kim  
D746,275 S 12/2015 Mohammad  
D748,614 S 2/2016 Ju  
D749,068 S 2/2016 Zaborski et al.  
D749,555 S 2/2016 Poon  
D750,610 S 3/2016 Chen  
9,295,174 B2 3/2016 Witter et al.

D753,099 S \* 4/2016 Kim ..... D14/250  
D753,641 S 4/2016 Roberts et al.  
D754,652 S 4/2016 Roberts et al.  
D756,340 S 5/2016 Babichenko  
D756,343 S 5/2016 Wall et al.  
D756,344 S 5/2016 Roberts et al.  
D756,911 S 5/2016 Gupta  
D757,702 S 5/2016 Kanazawa  
D757,703 S 5/2016 Kanazawa  
D761,239 S 7/2016 Kim  
D763,842 S 8/2016 Chang et al.  
D765,632 S 9/2016 Northrup et al.  
D765,644 S 9/2016 Witter et al.  
D766,819 S 9/2016 Gjovik et al.  
D767,553 S \* 9/2016 Fathollahi ..... D14/250  
D771,028 S \* 11/2016 Kim ..... D14/250  
D771,607 S \* 11/2016 Kim ..... D14/250  
D771,608 S \* 11/2016 Kim ..... D14/250  
D771,619 S 11/2016 Akana et al.  
D772,209 S \* 11/2016 Kim ..... D14/250  
D774,498 S 12/2016 Tao et al.  
D776,104 S \* 1/2017 Tien ..... D14/250  
9,661,116 B1 \* 5/2017 Chung ..... H04M 1/21  
2012/0018323 A1 \* 1/2012 Johnson ..... H04B 1/3888  
  206/320  
2016/0101902 A1 \* 4/2016 Kim ..... F16M 11/00  
  206/45.23  
2016/0204817 A1 \* 7/2016 Kim ..... H04B 1/3888  
  455/575.8  
2016/0269516 A1 \* 9/2016 Kim ..... H04M 1/04  
2016/0285301 A1 \* 9/2016 Kim ..... H02J 7/025

\* cited by examiner

FIG. 1

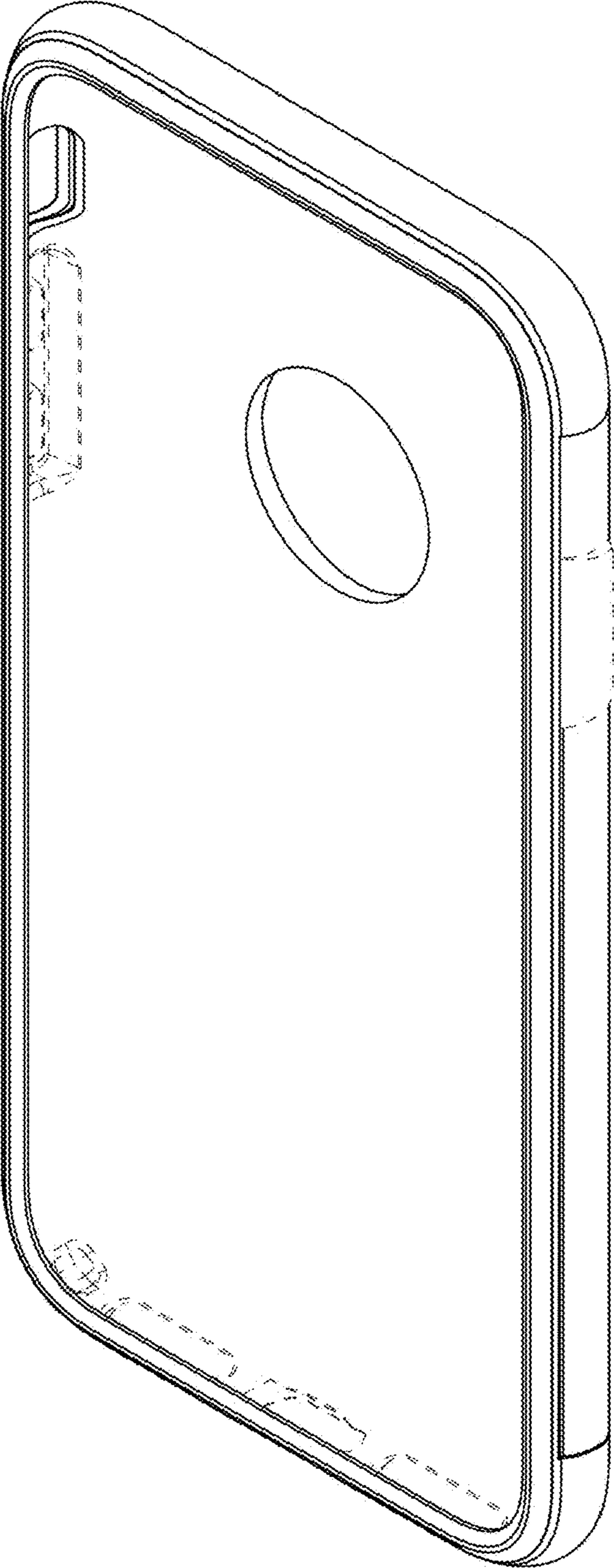


FIG. 2

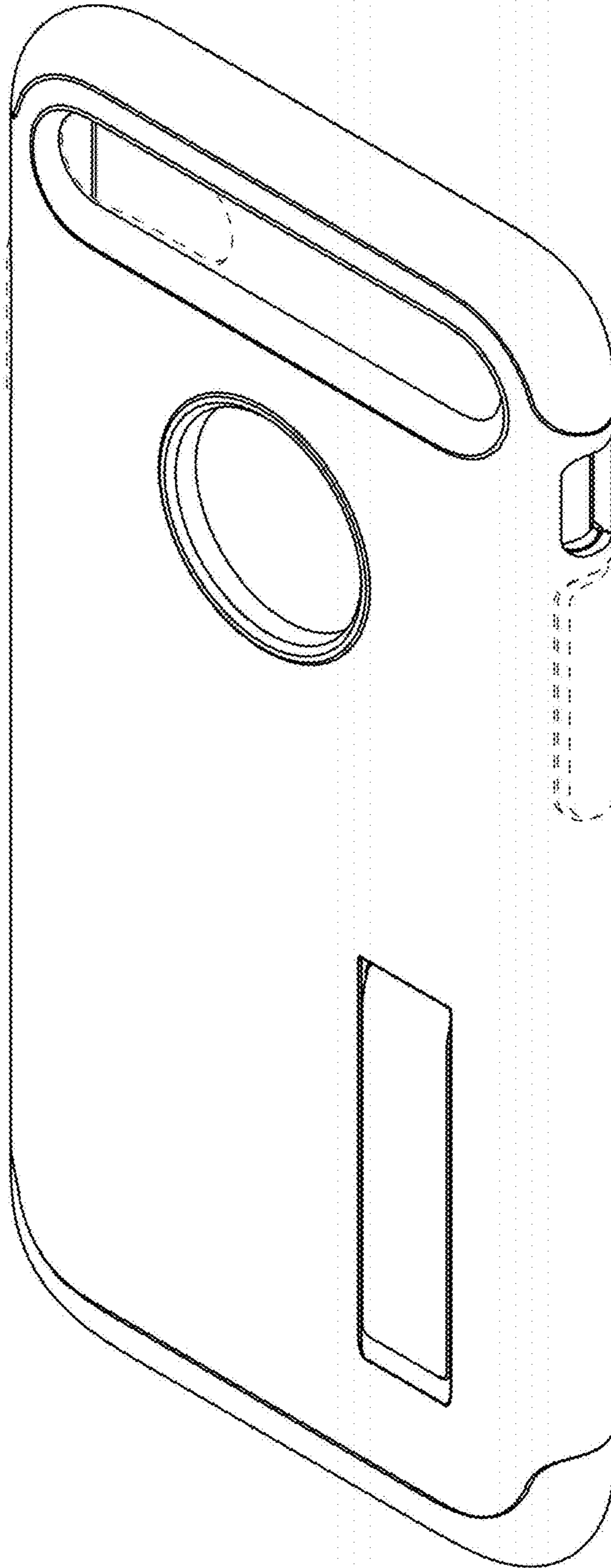


FIG. 3

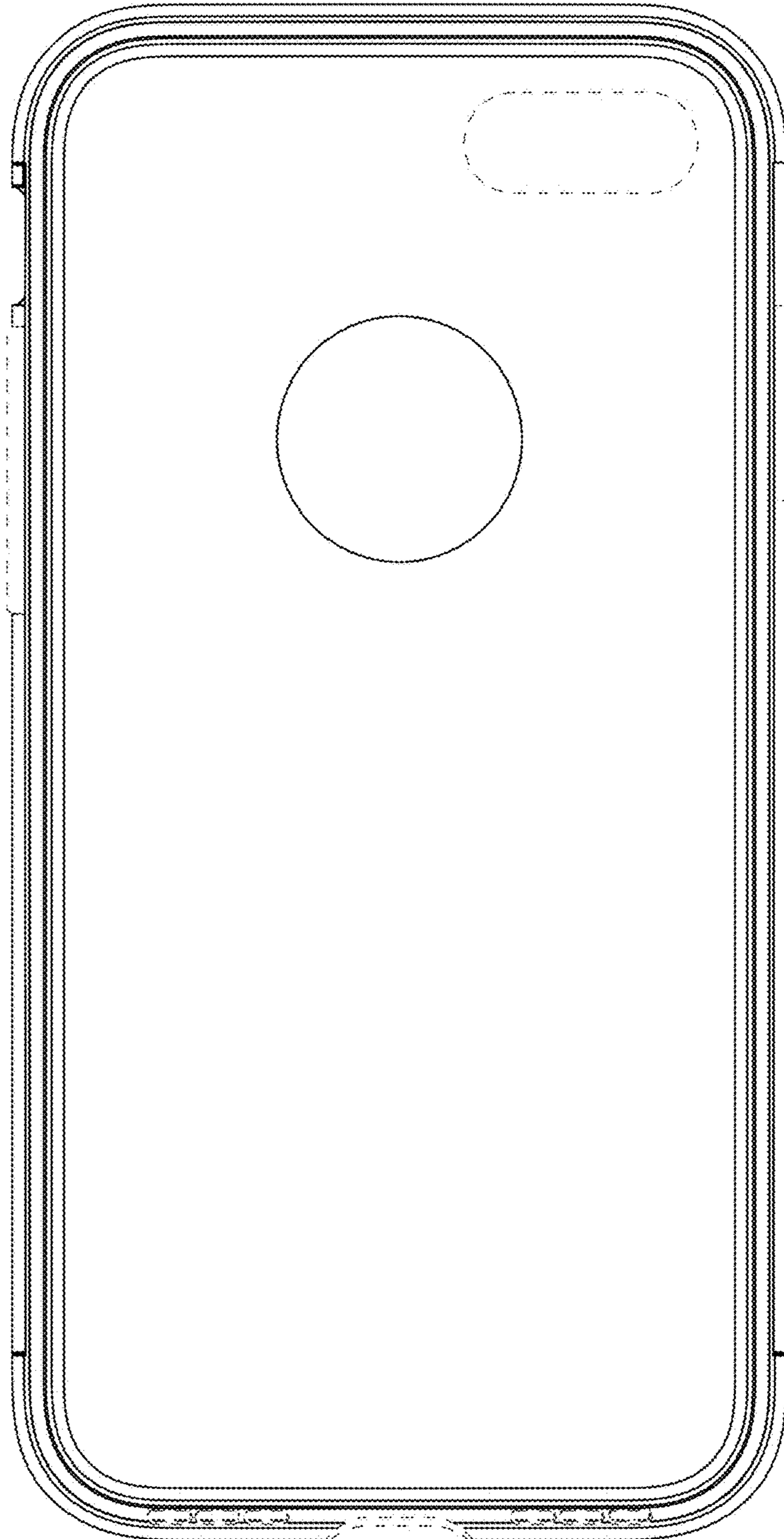


FIG. 4

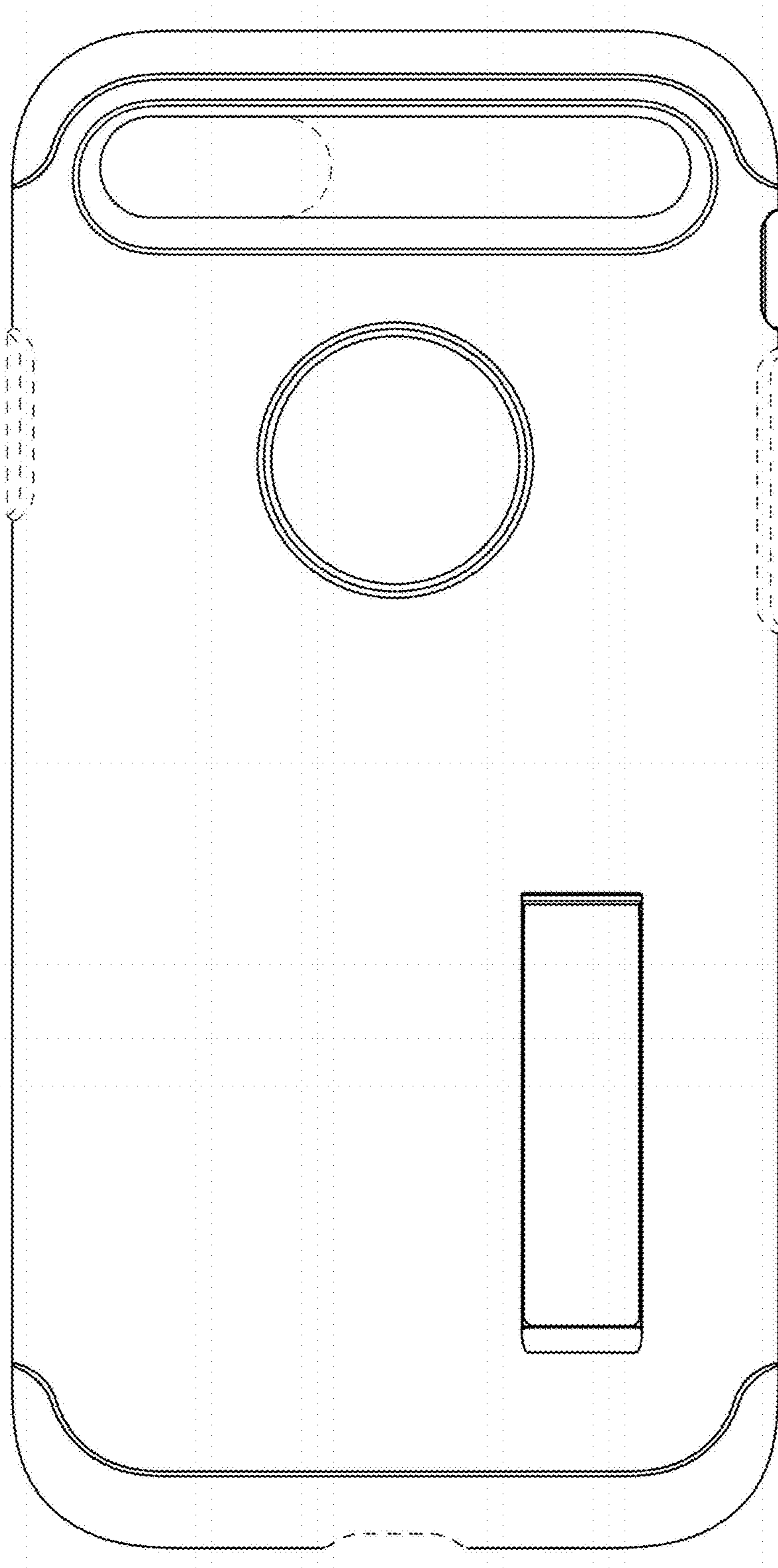


FIG. 5

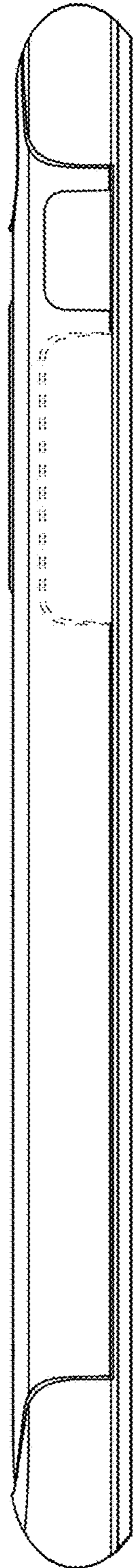


FIG. 6

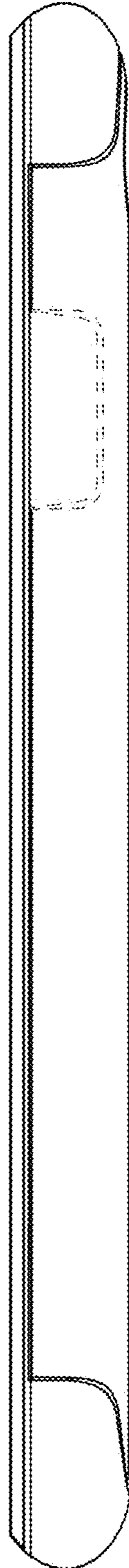




FIG. 7

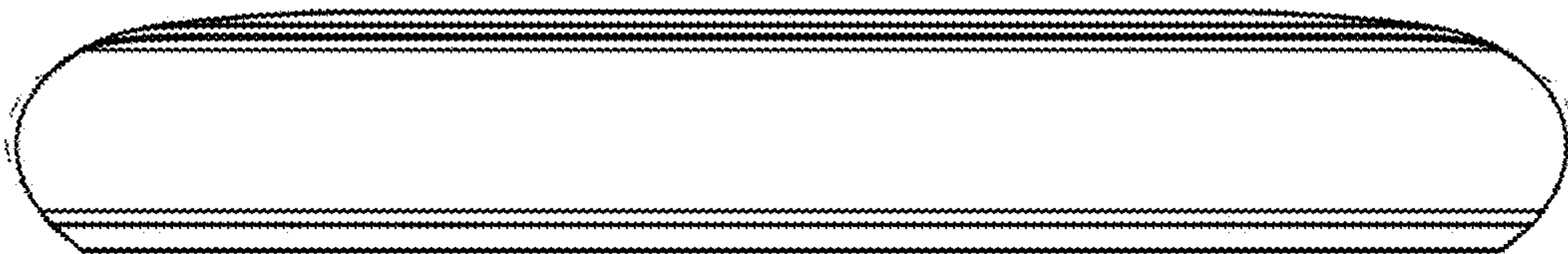


FIG. 8

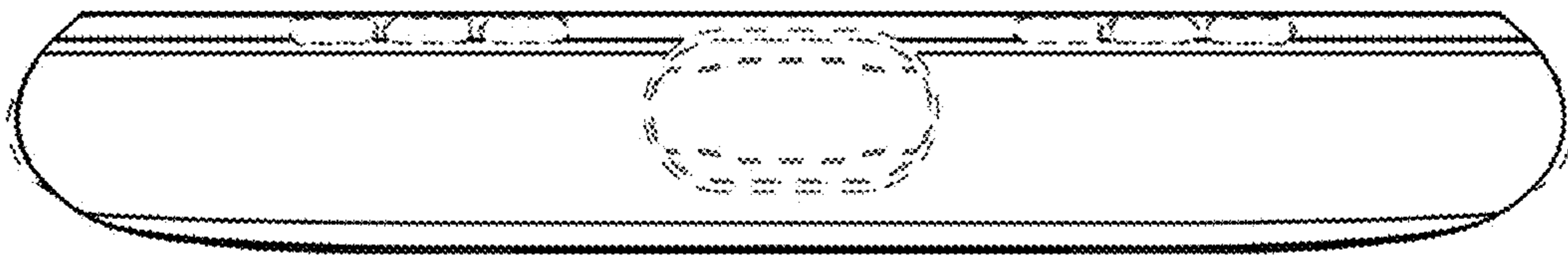


FIG. 9

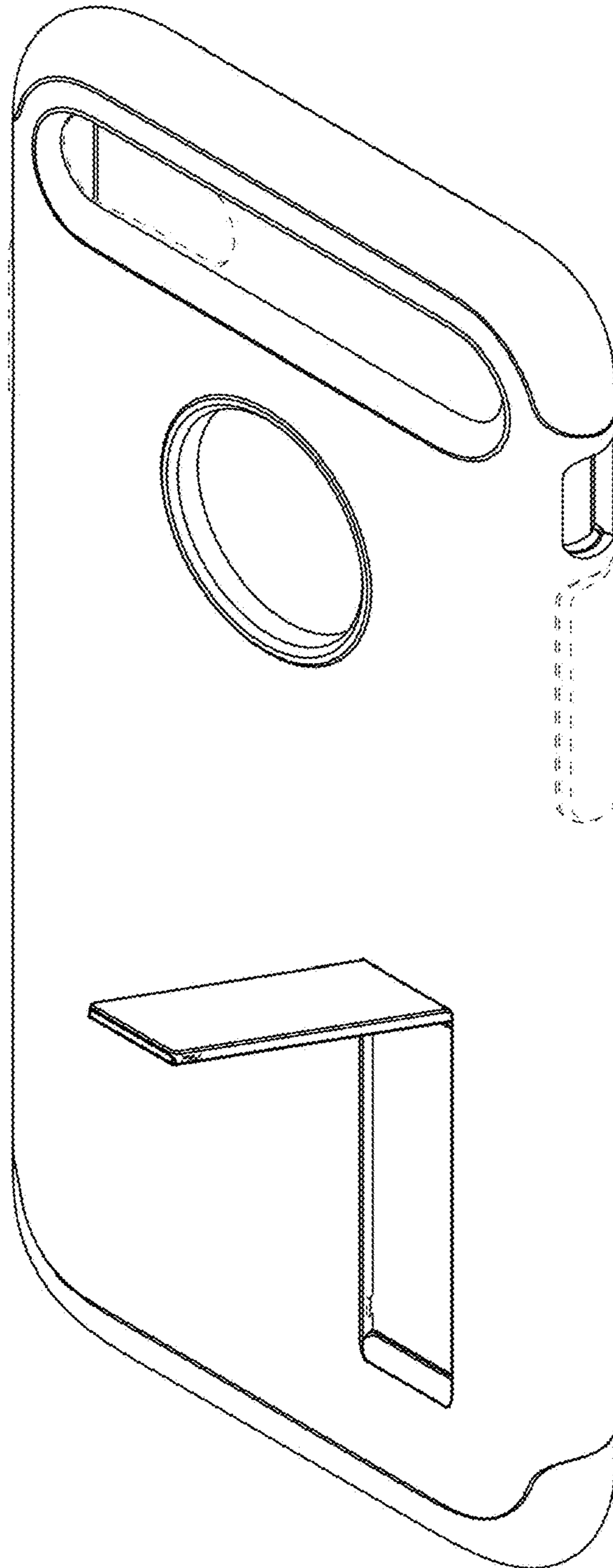


FIG. 10

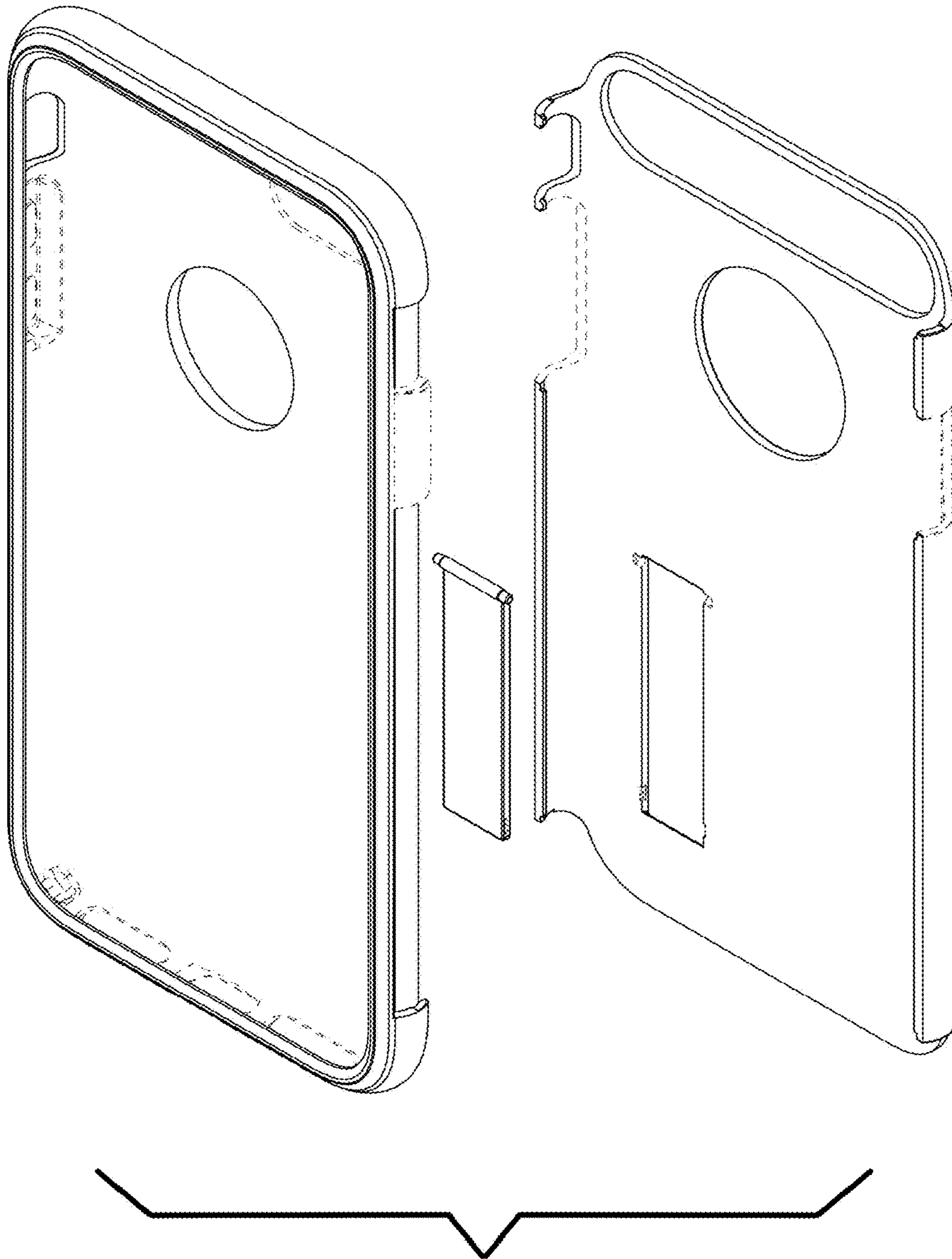


FIG. 11

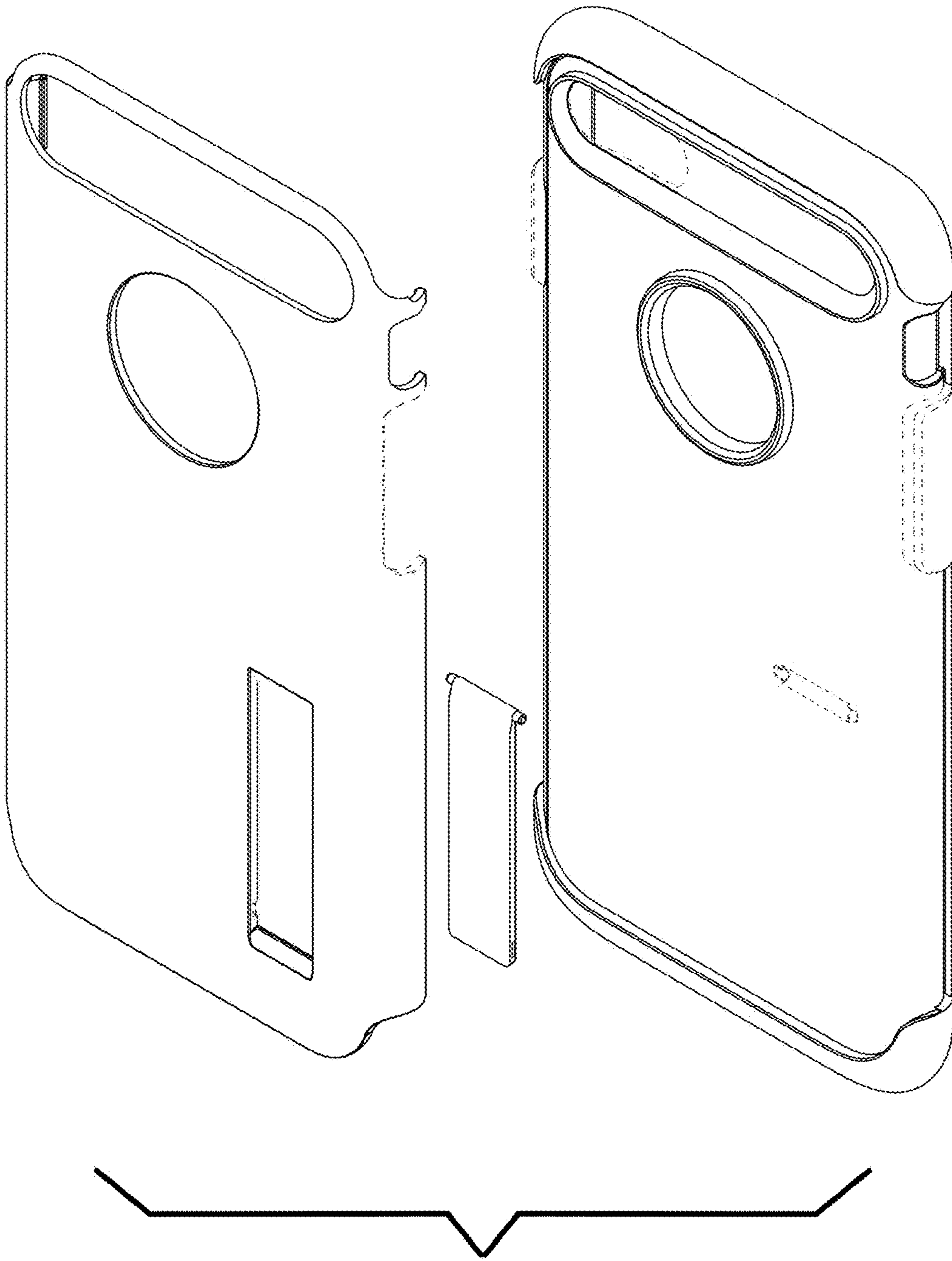


FIG. 12

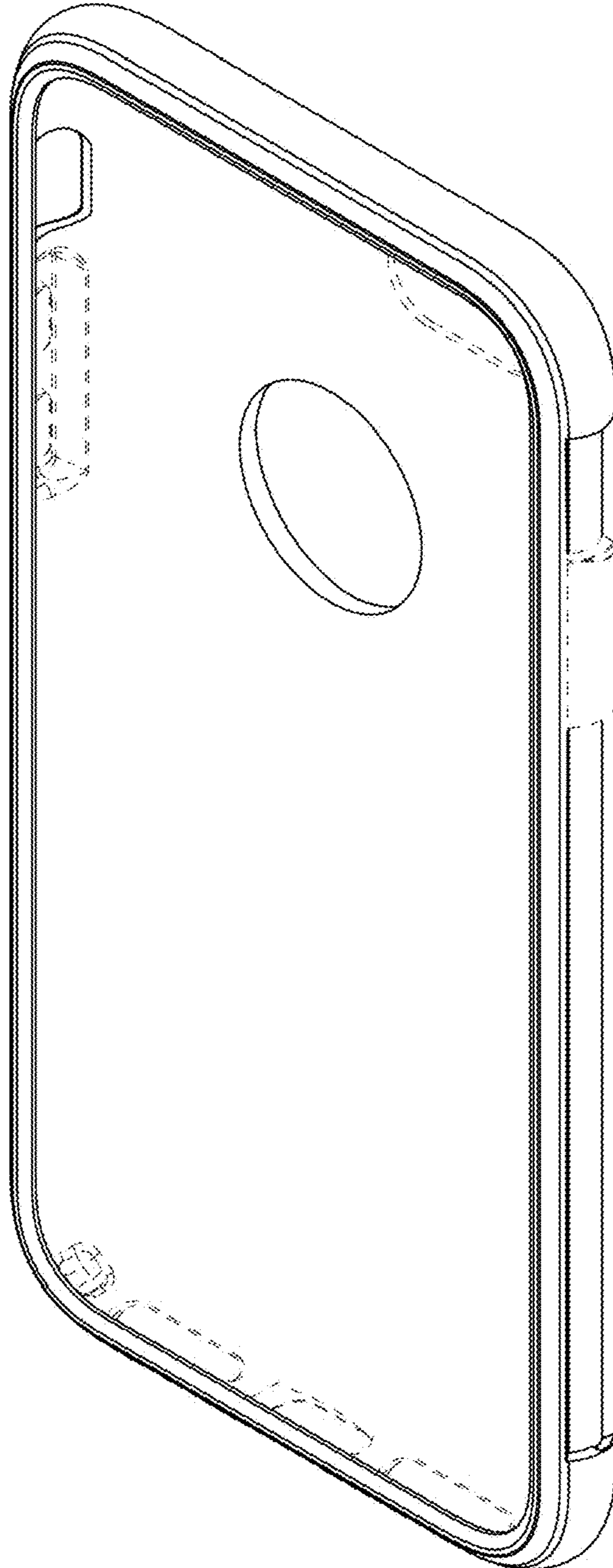


FIG. 13

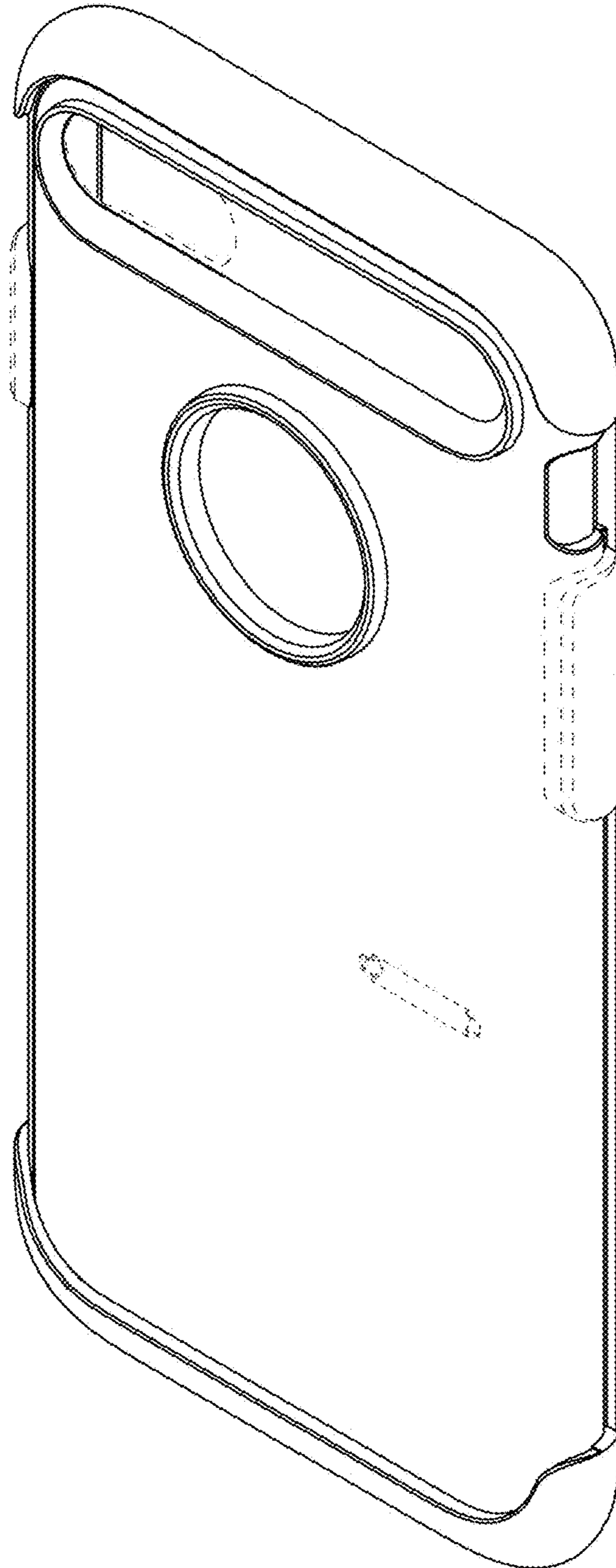


FIG. 14

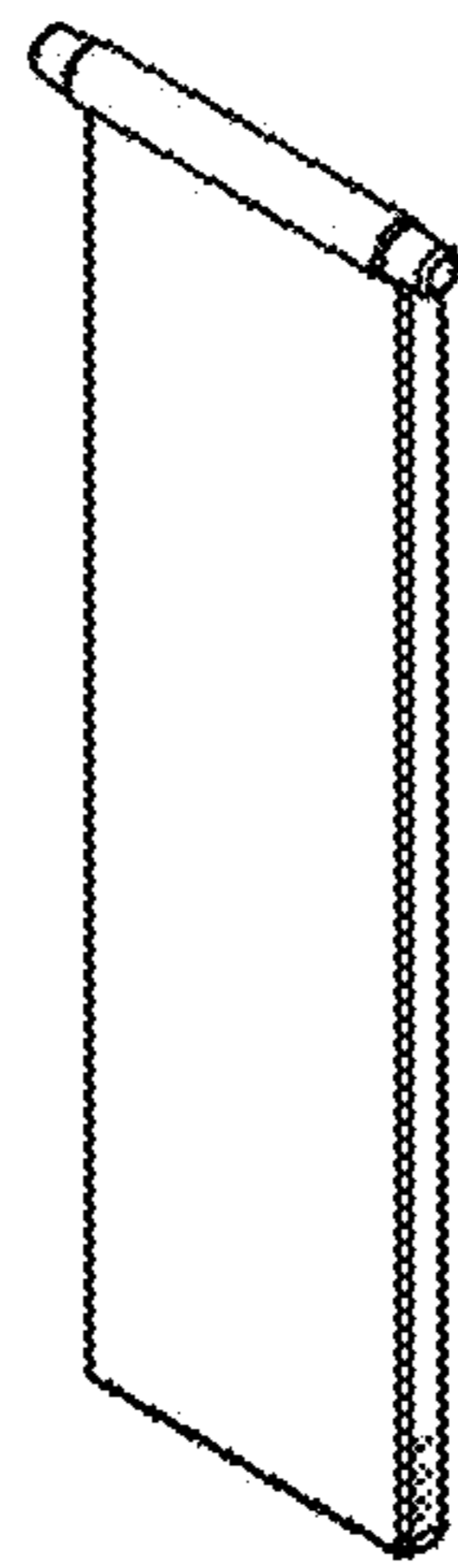




FIG. 15

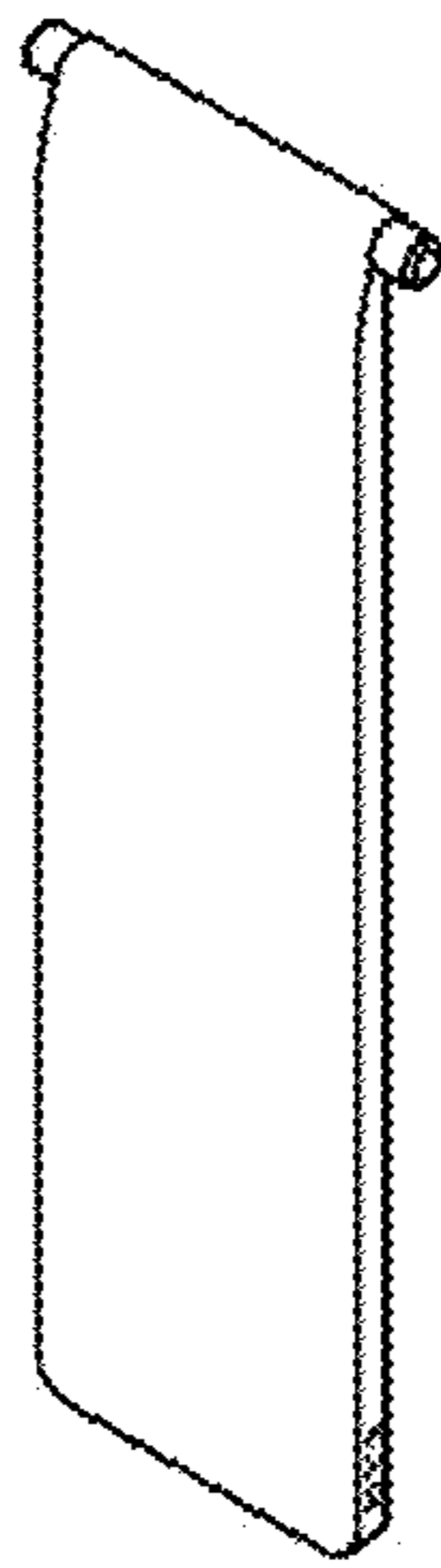


FIG. 16

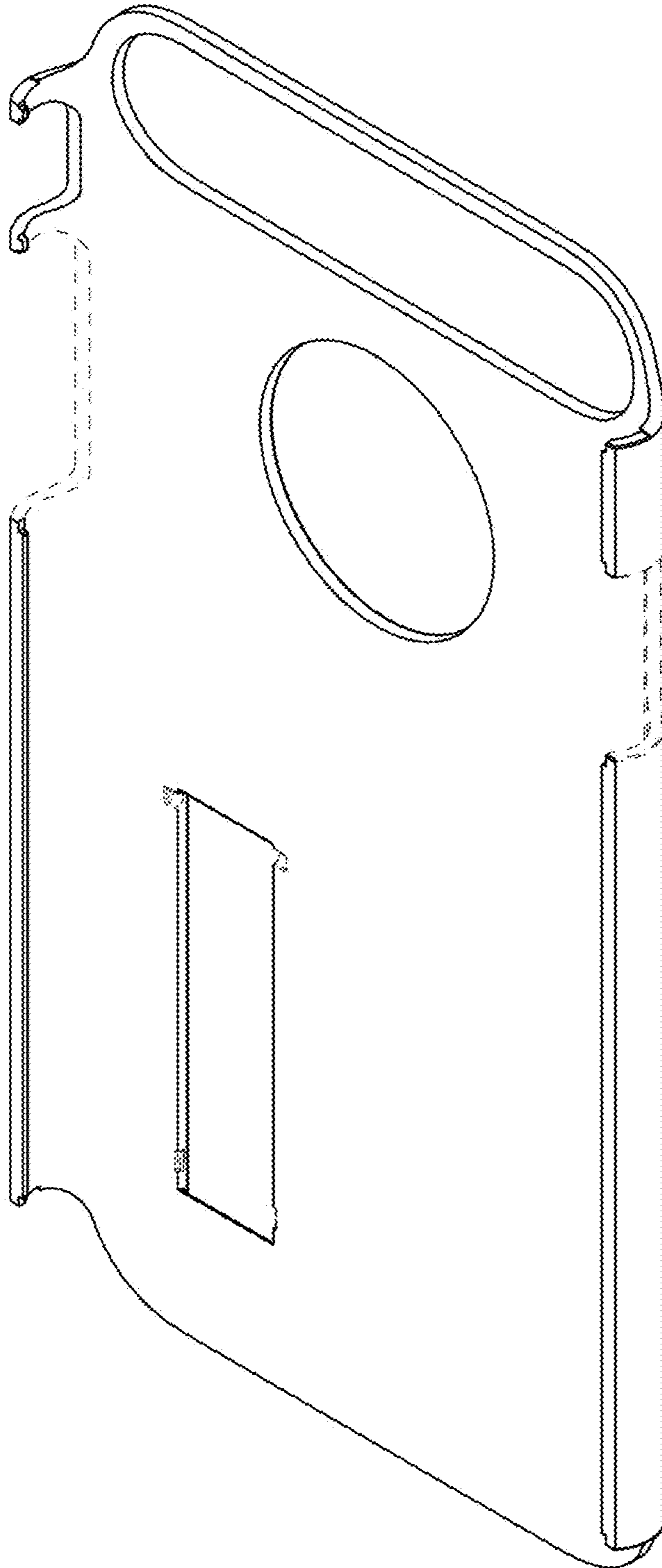


FIG. 17

