



US00D827622S

(12) **United States Design Patent** (10) **Patent No.:** **US D827,622 S**  
**Baiz et al.** (45) **Date of Patent:** **\*\* Sep. 4, 2018**

(54) **ANTENNA HOUSING**  
(71) Applicants: **Enrique J. Baiz**, Miramar, FL (US);  
**Oswaldo Izquierdo**, Homestead, FL (US)  
(72) Inventors: **Enrique J. Baiz**, Miramar, FL (US);  
**Oswaldo Izquierdo**, Homestead, FL (US)

D714,248 S \* 9/2014 Chang ..... D14/140  
D729,214 S \* 5/2015 Beaudoin ..... D14/230  
D735,165 S \* 7/2015 Wong ..... D14/218  
D743,465 S \* 11/2015 Aglassinger ..... D16/203  
D757,585 S \* 5/2016 Hojmose ..... D10/106.1  
D772,850 S \* 11/2016 Safstrom ..... D14/233  
D780,717 S \* 3/2017 Diaz ..... D14/216  
D791,740 S \* 7/2017 Fuller ..... D14/204

(Continued)

(\*\*) Term: **15 Years**

(21) Appl. No.: **29/591,629**

(22) Filed: **Jan. 22, 2017**

(51) **LOC (11) Cl.** ..... **14-03**

(52) **U.S. Cl.**  
USPC ..... **D14/238**

(58) **Field of Classification Search**  
USPC .... D14/137, 138 R, 138 AA, 148, 155, 167,  
D14/168, 230–238, 240, 242, 265, 299,  
D14/343, 358, 204, 209, 216, 218, 221  
CPC ..... H01Q 7/00; H01Q 13/10; H01Q 9/285;  
H01Q 19/30; H01Q 19/12; H01Q 1/38;  
H01Q 1/36; H01Q 1/0475; H01Q 1/034;  
H05K 11/00

See application file for complete search history.

(56) **References Cited**

**U.S. PATENT DOCUMENTS**

D216,229 S \* 12/1969 Hauser ..... D10/106.1  
D401,592 S \* 11/1998 Nishimura ..... D14/230  
D472,133 S \* 3/2003 Ball ..... D8/356  
D481,823 S \* 11/2003 McClow ..... D26/113  
D557,260 S \* 12/2007 Westerling ..... D14/230  
D577,301 S \* 9/2008 Johnson ..... D10/106.1  
D599,040 S \* 8/2009 Alexander ..... D26/1  
D625,295 S \* 10/2010 Nogueira ..... D14/218  
7,876,282 B2 \* 1/2011 Keilman ..... H01Q 7/00  
128/899  
D634,308 S \* 3/2011 Bliss ..... D14/233  
D641,645 S \* 7/2011 Suzuki ..... D10/106.5  
D659,681 S \* 5/2012 Suzuki ..... D14/221

**OTHER PUBLICATIONS**

VMS Racing Antenna Housing Base Cover in Black, as posted at Amazon.com [online], date first available Feb. 27, 2016, [site visited Feb. 1, 2018]. Available from the Internet, <URL: https://www.amazon.com/VMS-Racing-Aluminum-Wrangler-Unlimited/dp/B01CB79FIM>.\*

(Continued)

*Primary Examiner* — Jeffrey D Asch  
*Assistant Examiner* — Rebekah A Caruso  
(74) *Attorney, Agent, or Firm* — QuickPatents, LLC;  
Kevin Prince

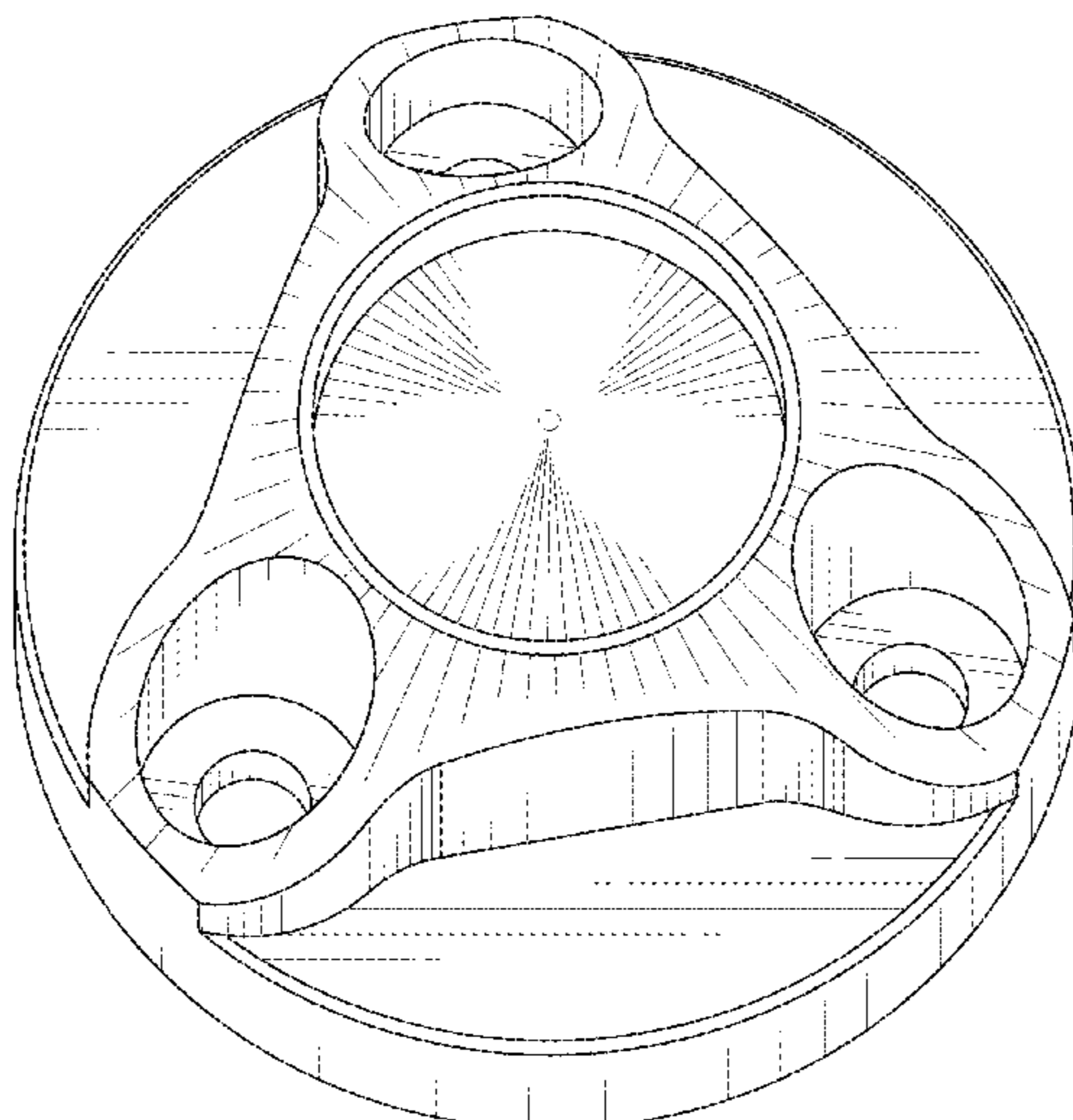
(57) **CLAIM**

We claim the ornamental design for an antenna housing, as shown and described.

**DESCRIPTION**

FIG. 1 is a top perspective view of an antenna housing, showing our new design;  
FIG. 2 is a bottom perspective view thereof;  
FIG. 3 is a front elevational view thereof;  
FIG. 4 is a rear elevational view thereof;  
FIG. 5 is a left-side elevational view thereof;  
FIG. 6 is a right-side elevational view thereof;  
FIG. 7 is a top plan view thereof; and,  
FIG. 8 is a bottom plan view thereof.  
The broken lines in FIG. 4 depict portions of the antenna housing that form no part of the claimed design.

**1 Claim, 6 Drawing Sheets**



(56)

**References Cited**

U.S. PATENT DOCUMENTS

D805,940 S \* 12/2017 Taylor ..... D10/106.5  
2017/0191856 A1 \* 7/2017 Baiz ..... G01D 13/04

OTHER PUBLICATIONS

“How to install a Rukse Stubbie Billet Antenna on your Jeep Wrangler,” Stubbie Billet Antenna Housing pictured therein, as posted by Ruske at YouTube.com [online], posted on Feb. 3, 2014, [site visited Feb. 1, 2018]. Available from the Internet, <URL: <https://www.youtube.com/watch?v=nTyTK3Krelk>>.\*

\* cited by examiner

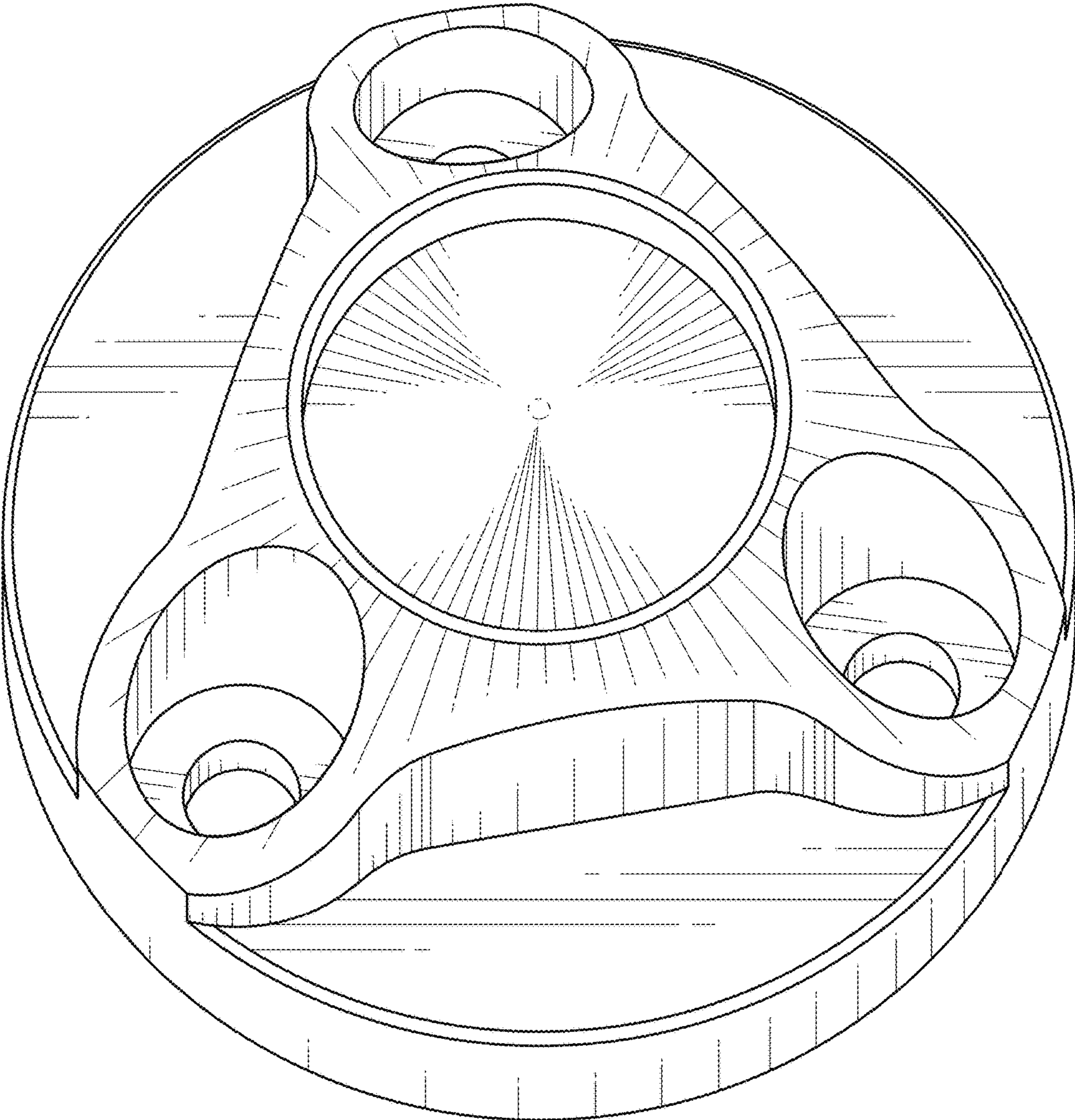


FIG. 1

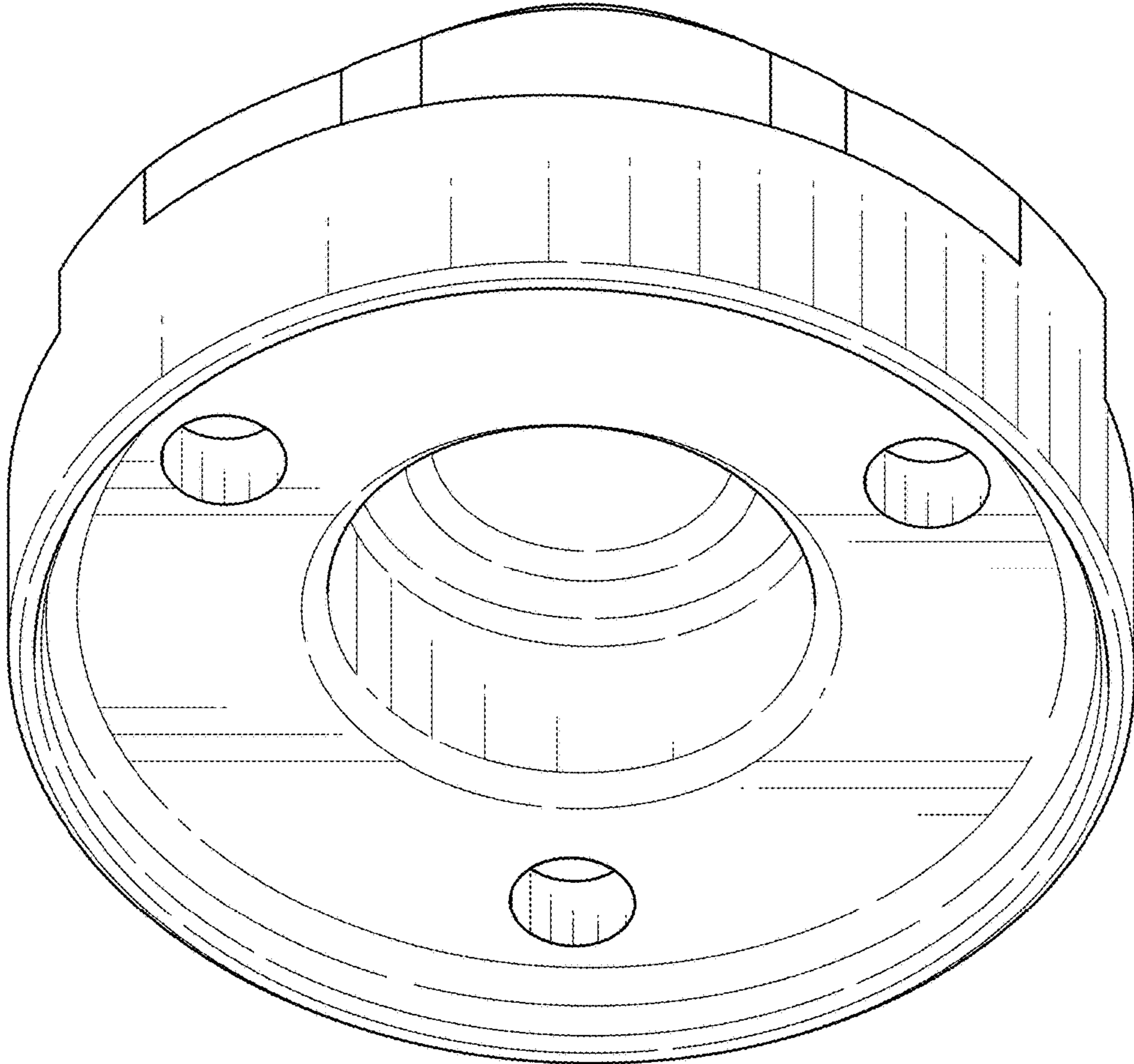


FIG. 2

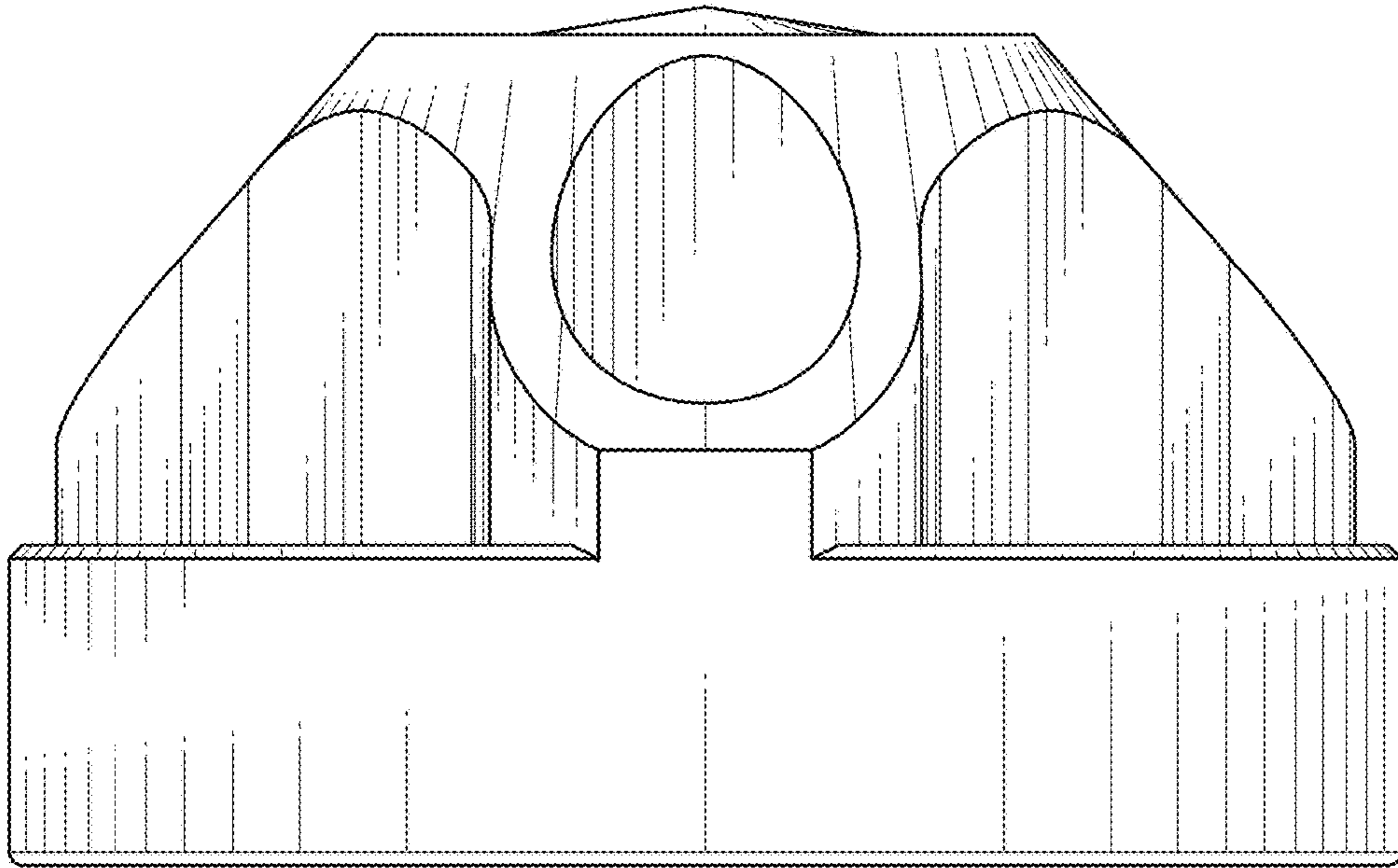


FIG. 3

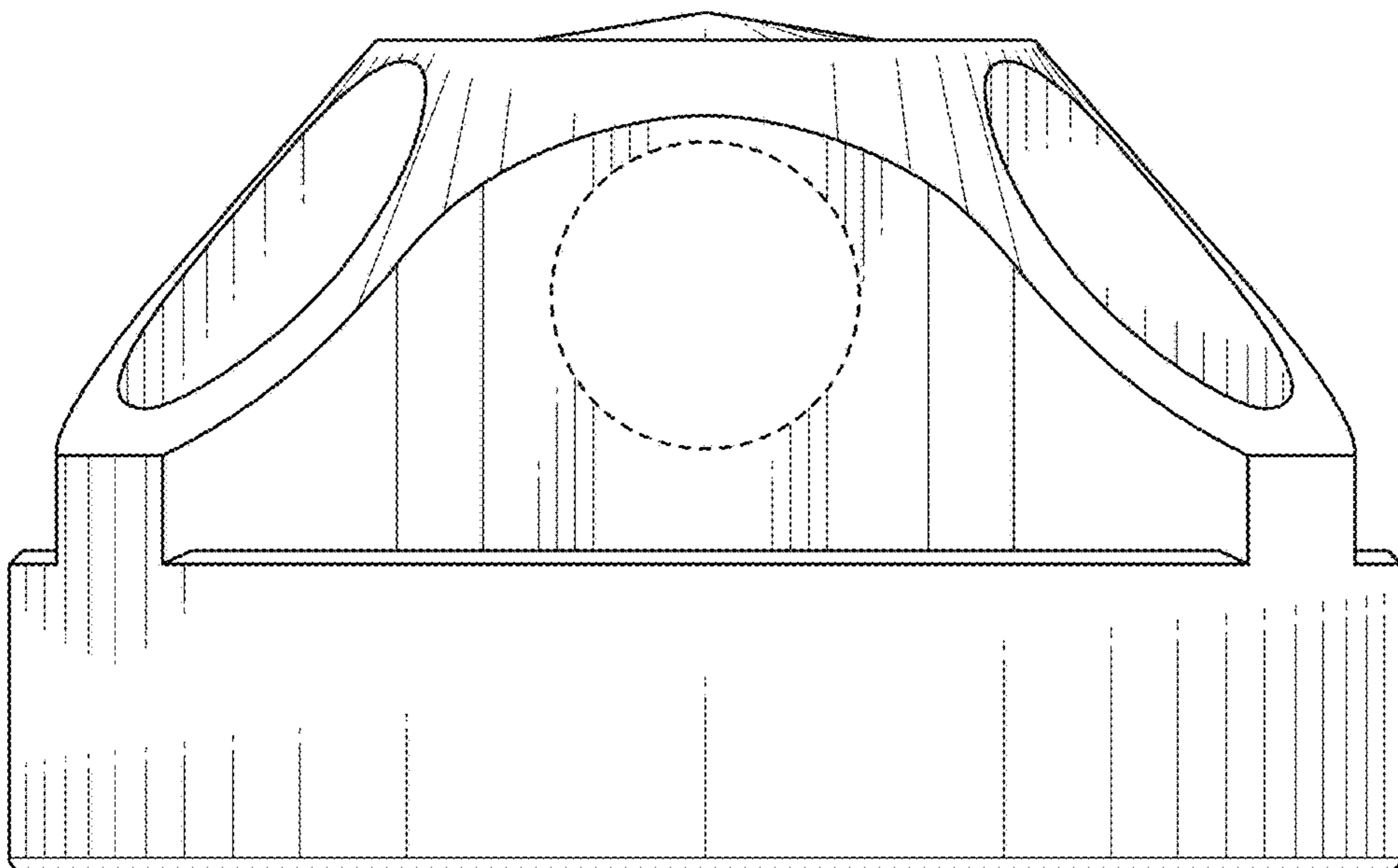


FIG. 4

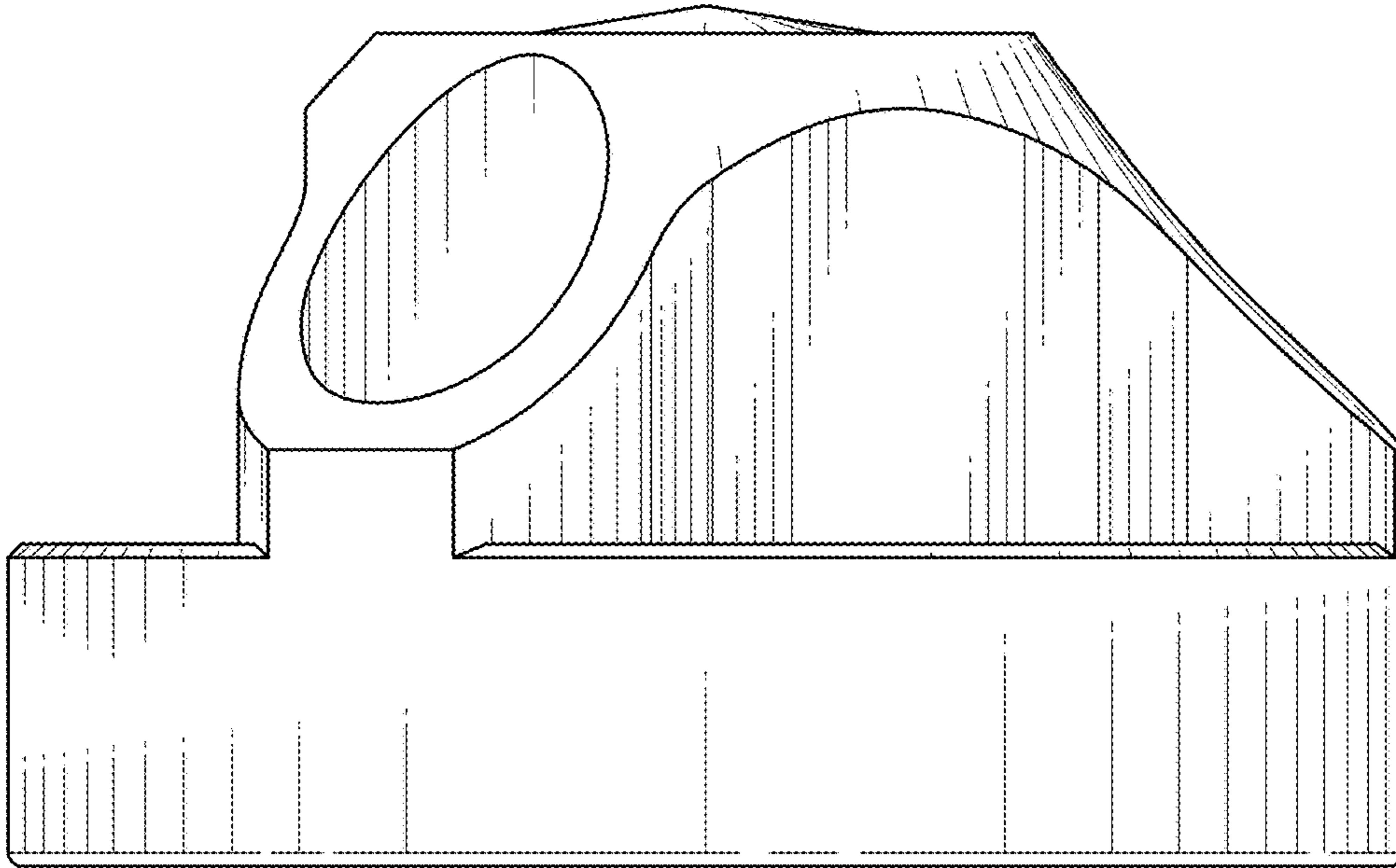


FIG. 5

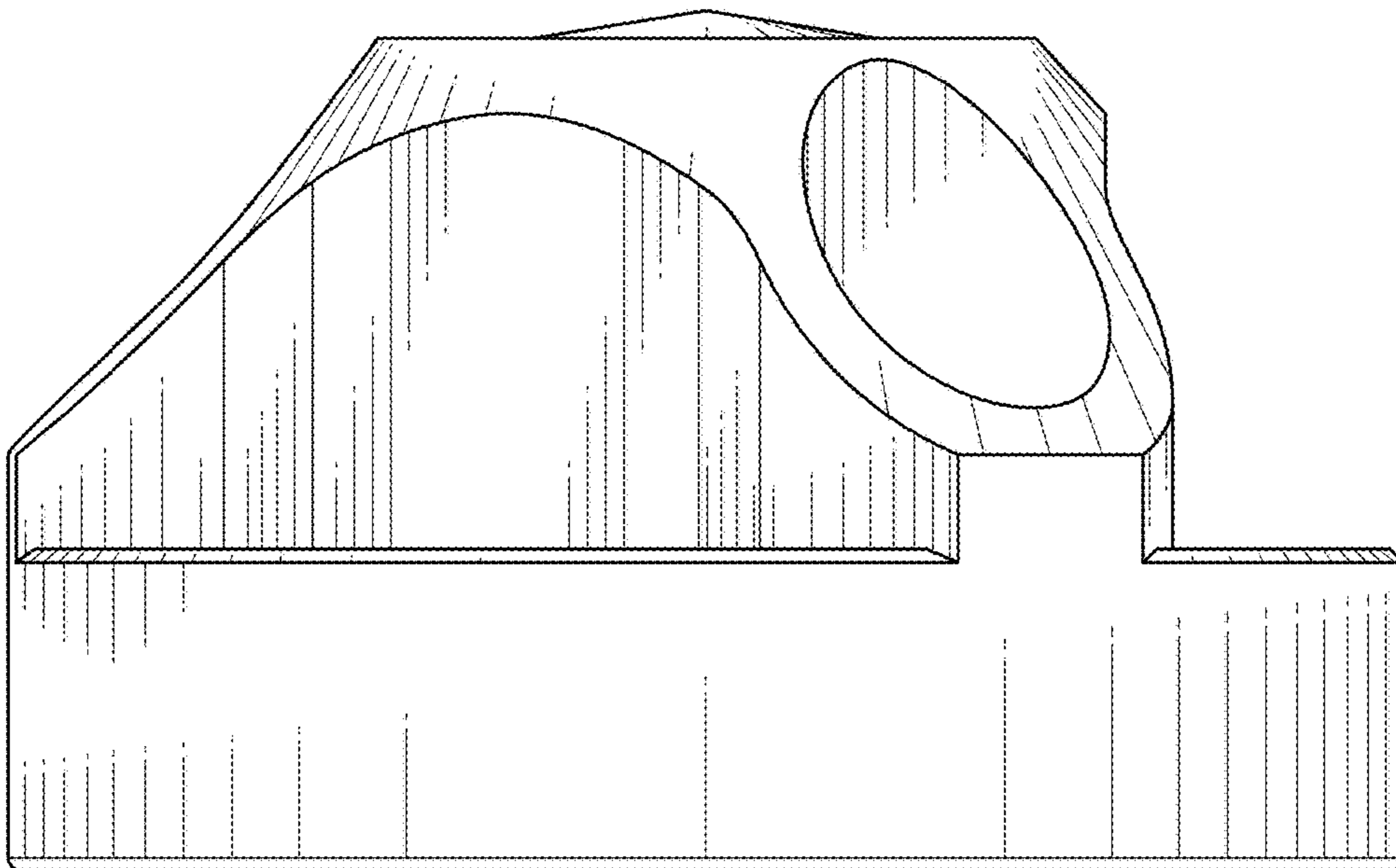


FIG. 6

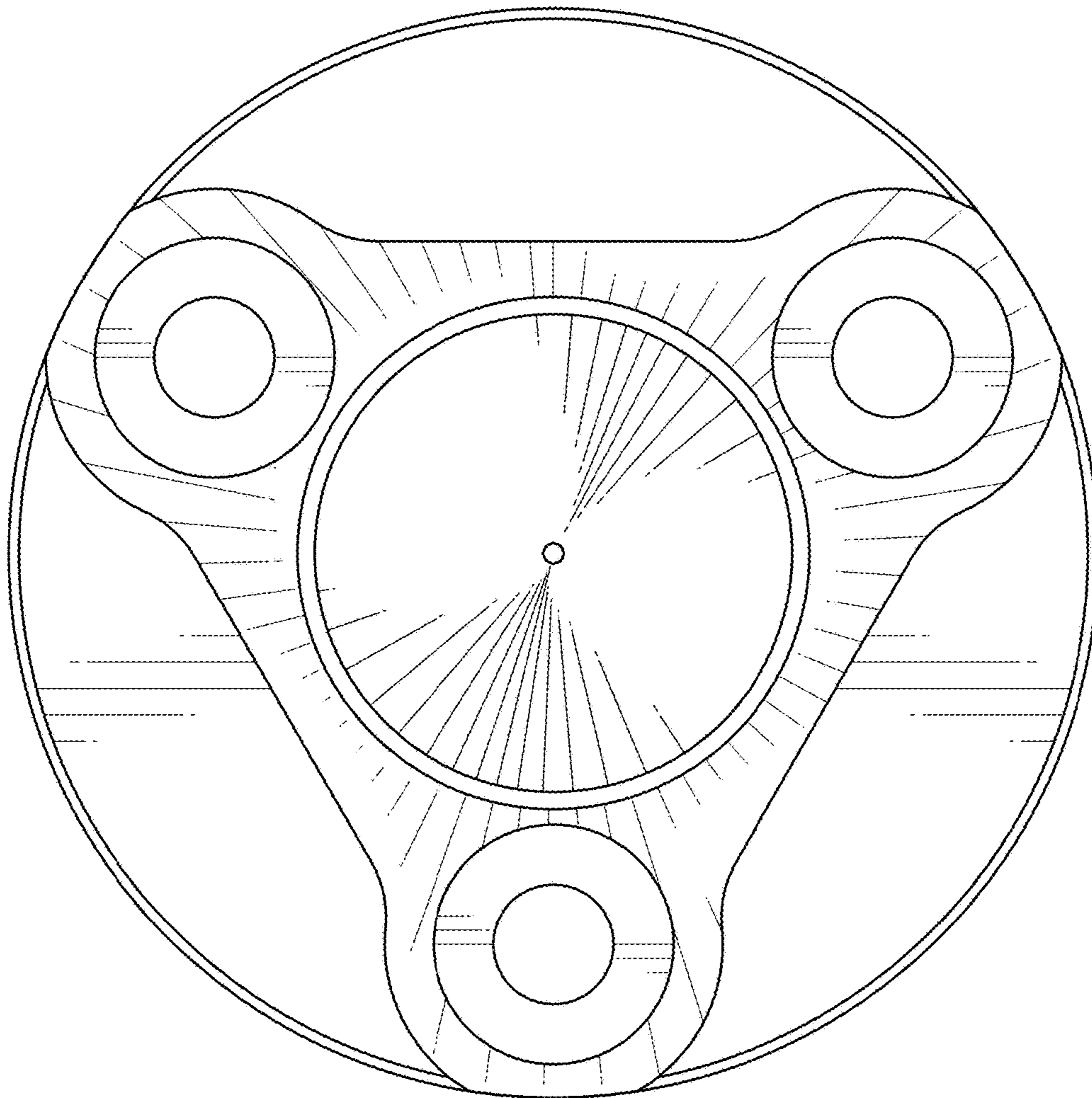


FIG. 7

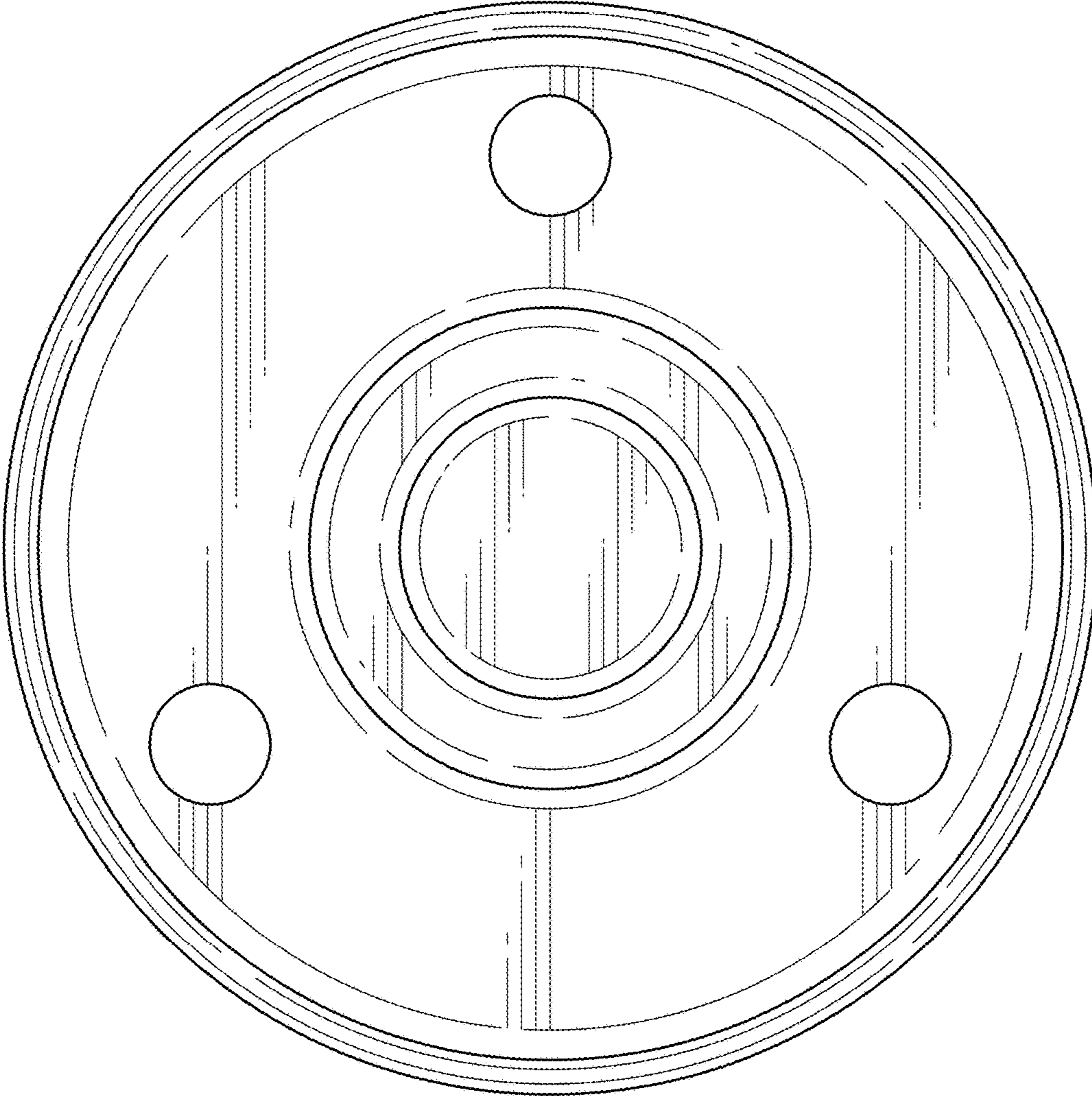


FIG. 8