



US00D827618S

(12) **United States Design Patent** (10) **Patent No.:** **US D827,618 S**
Nardin (45) **Date of Patent:** **** Sep. 4, 2018**

(54) **STAND FOR AN ELECTRONIC DEVICE**

(56) **References Cited**

(71) Applicant: **DEVIALET SOCIÉTÉ ANONYME**,
Paris (FR)

U.S. PATENT DOCUMENTS

(72) Inventor: **Emmanuel David Nardin**, Paris (FR)

D741,291 S * 10/2015 Fujioka D14/209.1
D766,879 S * 9/2016 Park D14/211
2012/0269503 A1 * 10/2012 Hale F16M 11/14
396/428

(73) Assignee: **DEVIALET**, Paris (FR)

(**) Term: **15 Years**

OTHER PUBLICATIONS

(21) Appl. No.: **35/503,074**

<https://devialetchat.com/showthread.php?tid=3204>[Apr. 25, 2018
10:36:22 AM] (Year: 2016).*

(22) Filed: **May 17, 2017**

* cited by examiner

(80) **Hague Agreement Data**

Primary Examiner — Michael A. Pratt

Int. Filing Date: **May 17, 2017**

Int. Reg. No.: **DM/096086**

Int. Reg. Date: **May 17, 2017**

Int. Reg. Pub. Date: **Jun. 2, 2017**

(57) **CLAIM**

The ornamental design for a stand for an electronic device,
as shown and described.

(51) **LOC (11) Cl.** **14-01**

(52) **U.S. Cl.**
USPC **D14/224**

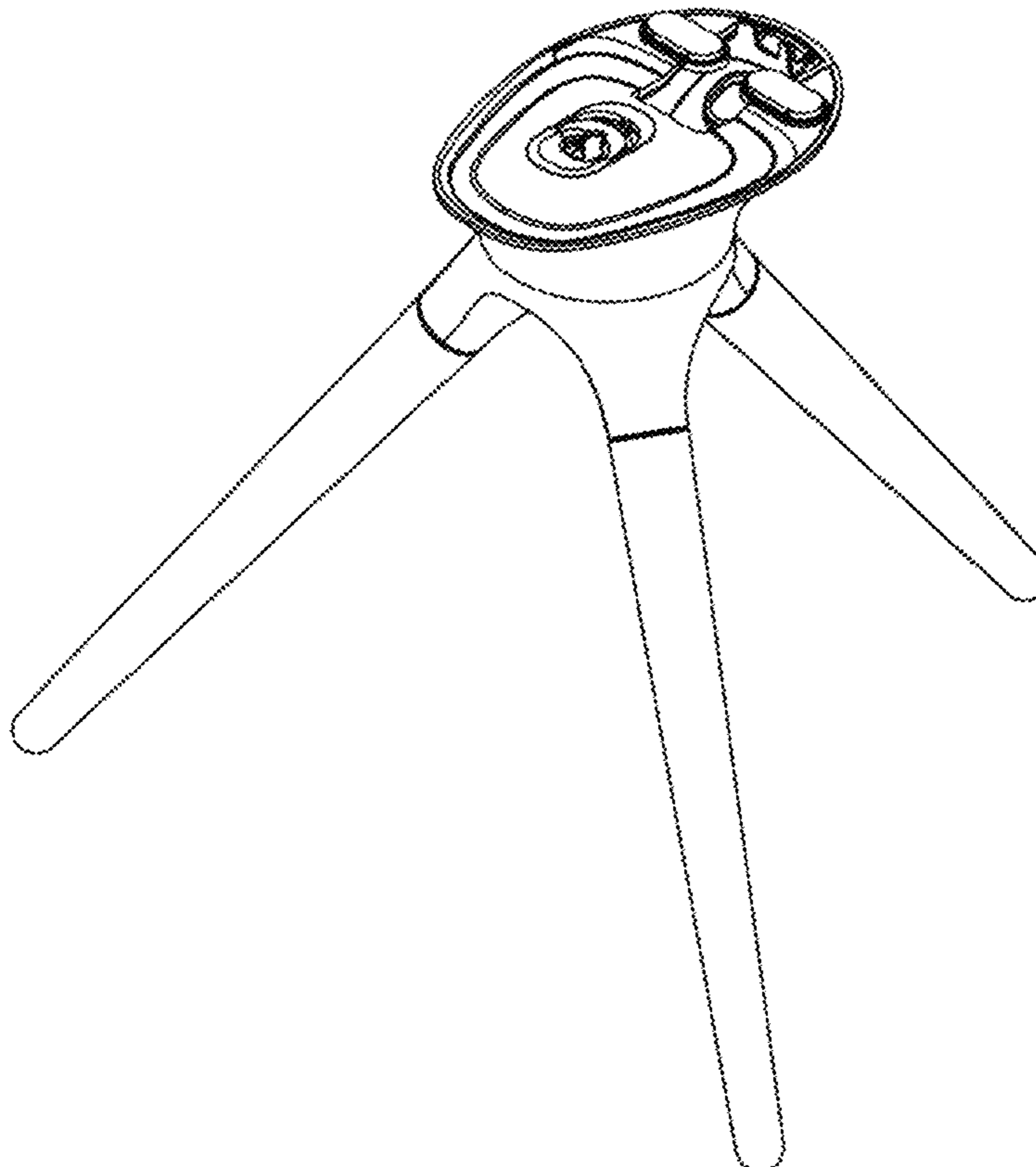
(58) **Field of Classification Search**
USPC D14/204, 209.1, 210, 211, 212, 213–217,
D14/221, 224
CPC ... H04R 1/26; H04R 5/00; H04R 5/02; H04R
1/02; H04R 1/28; H04R 7/26; H04R
25/00; H05K 5/00

DESCRIPTION

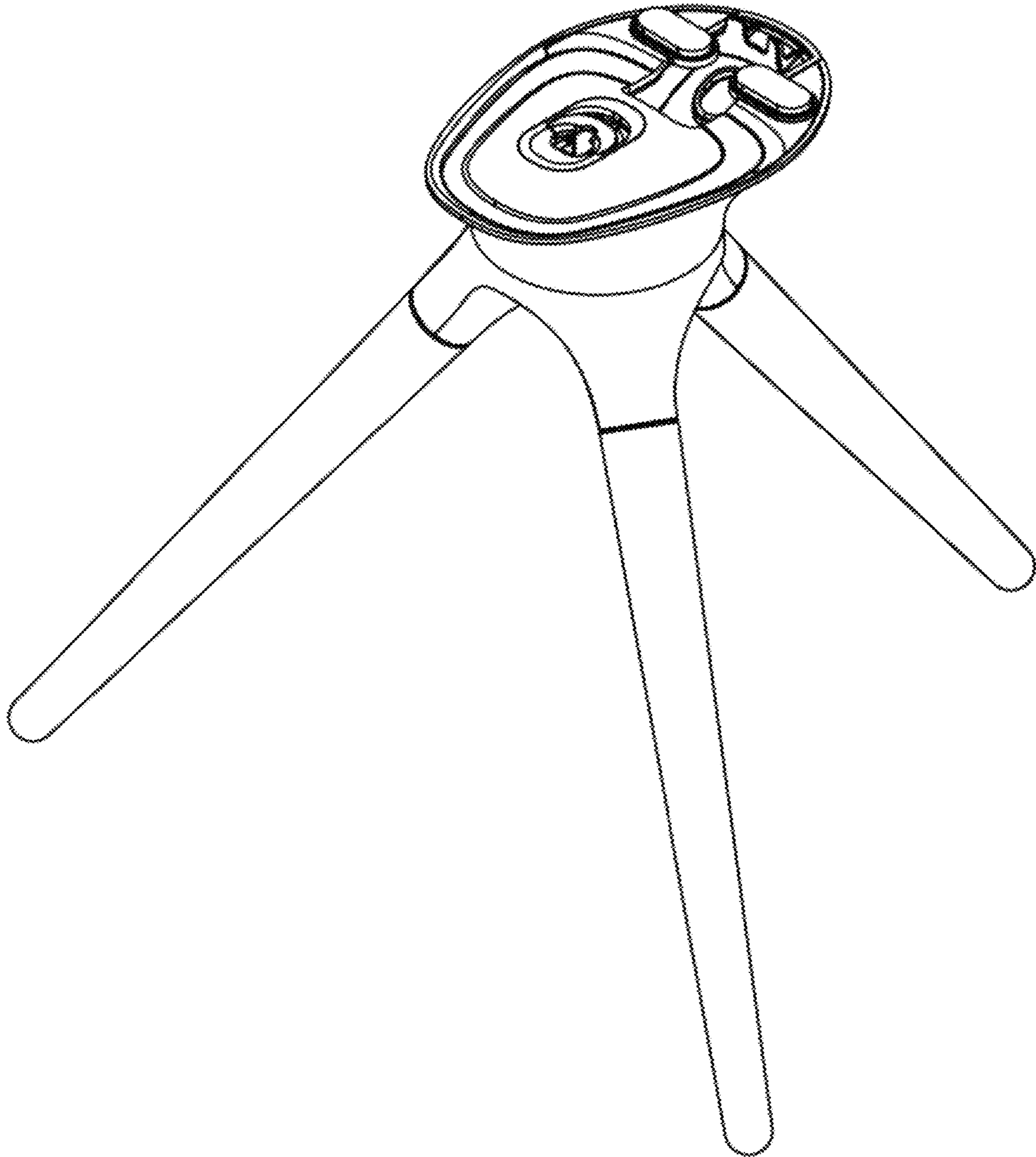
1. Stand for an electronic device
- 1.1 : Perspective
- 1.2 : Top
- 1.3 : Front
- 1.4 : Right
- 1.5 : Back
- 1.6 : Bottom

See application file for complete search history.

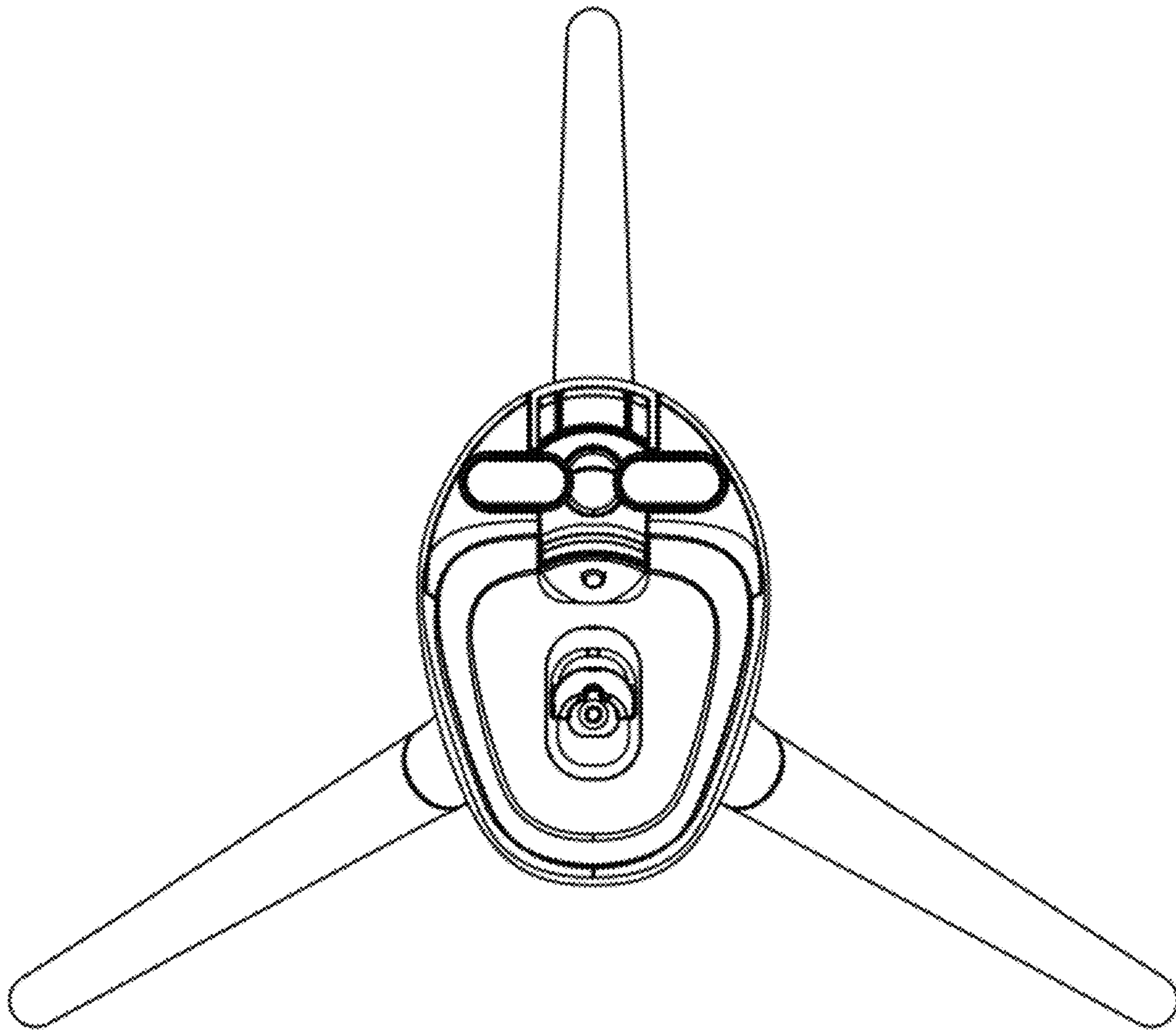
1 Claim, 6 Drawing Sheets



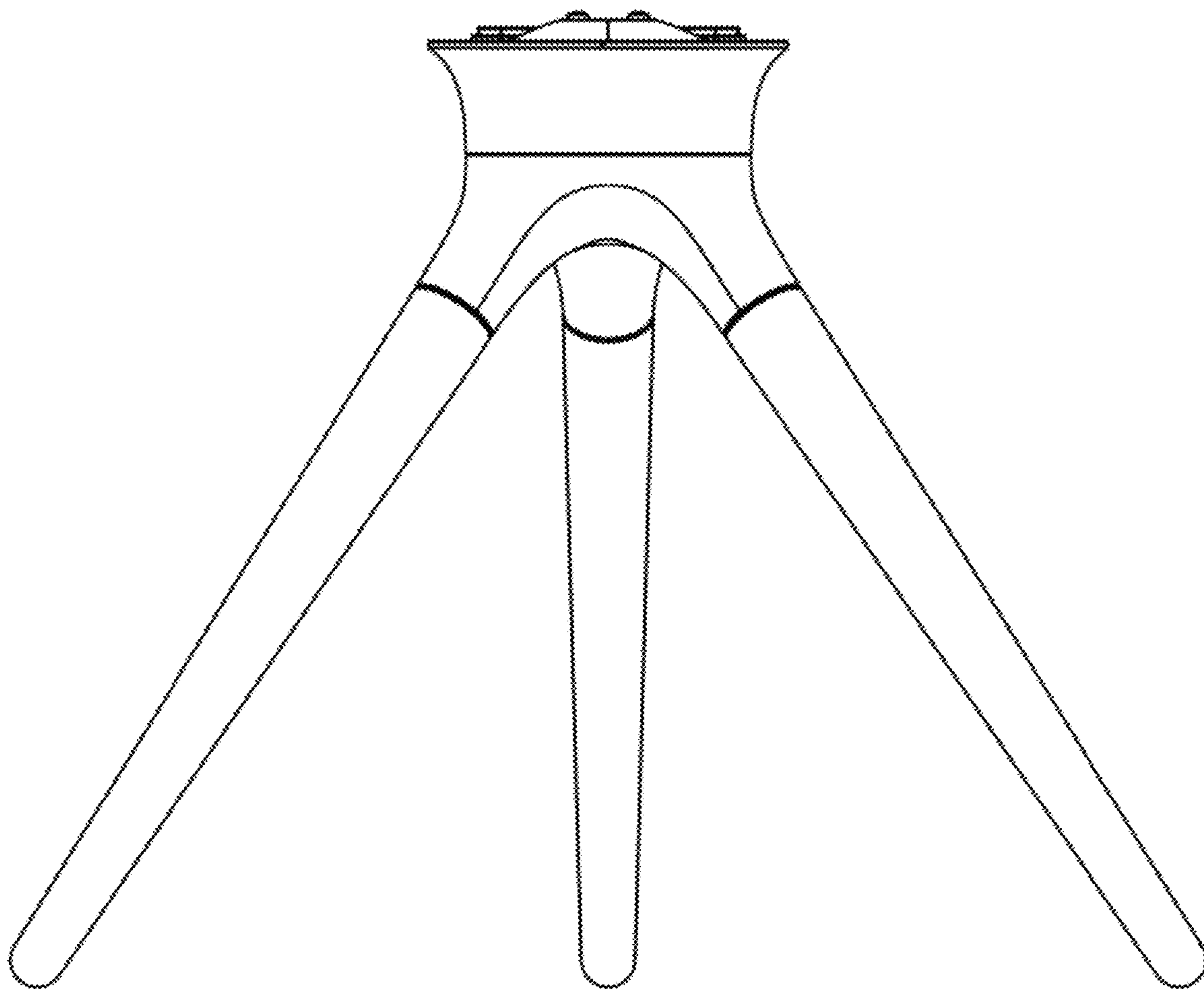
1.1



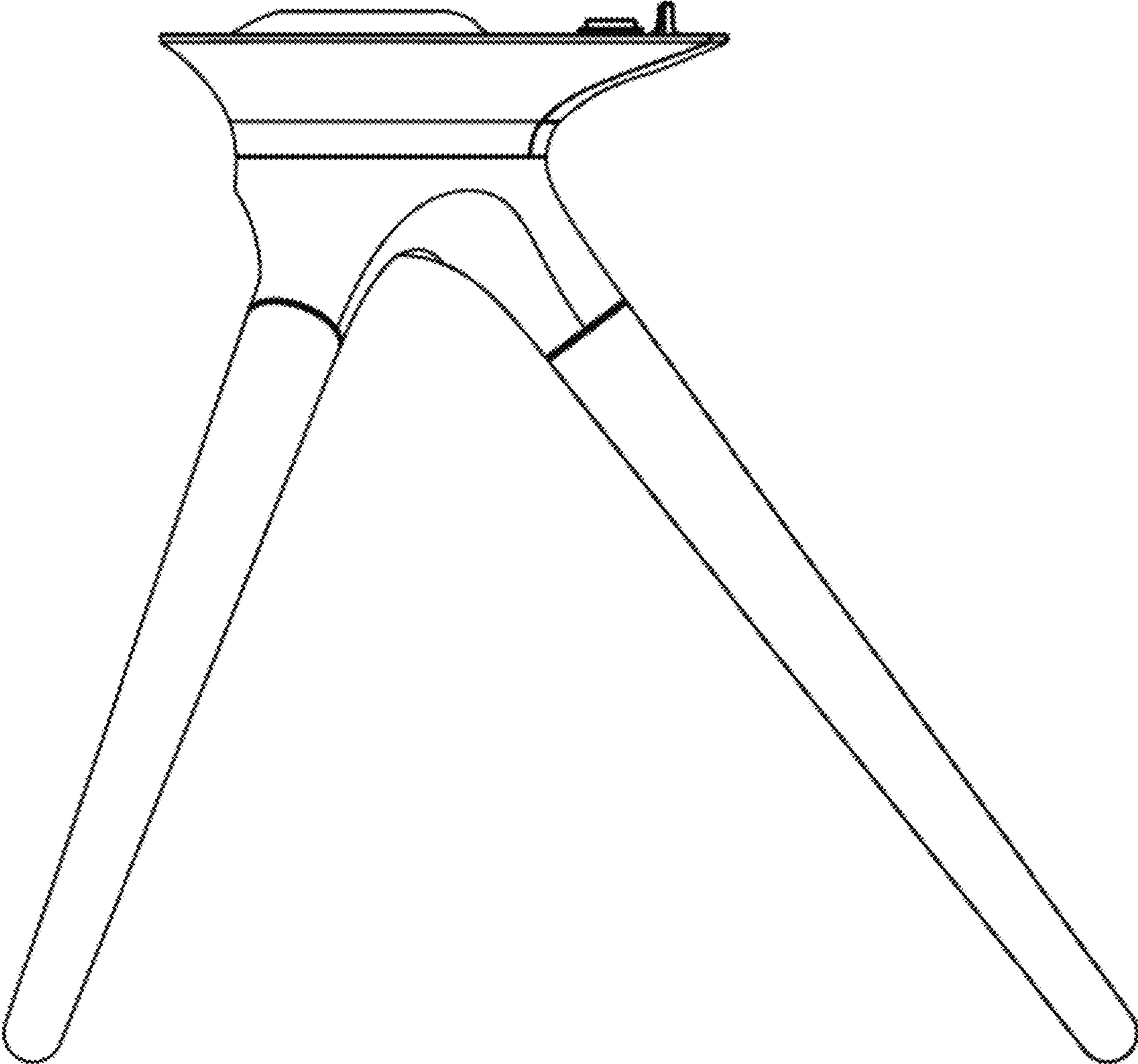
1.2



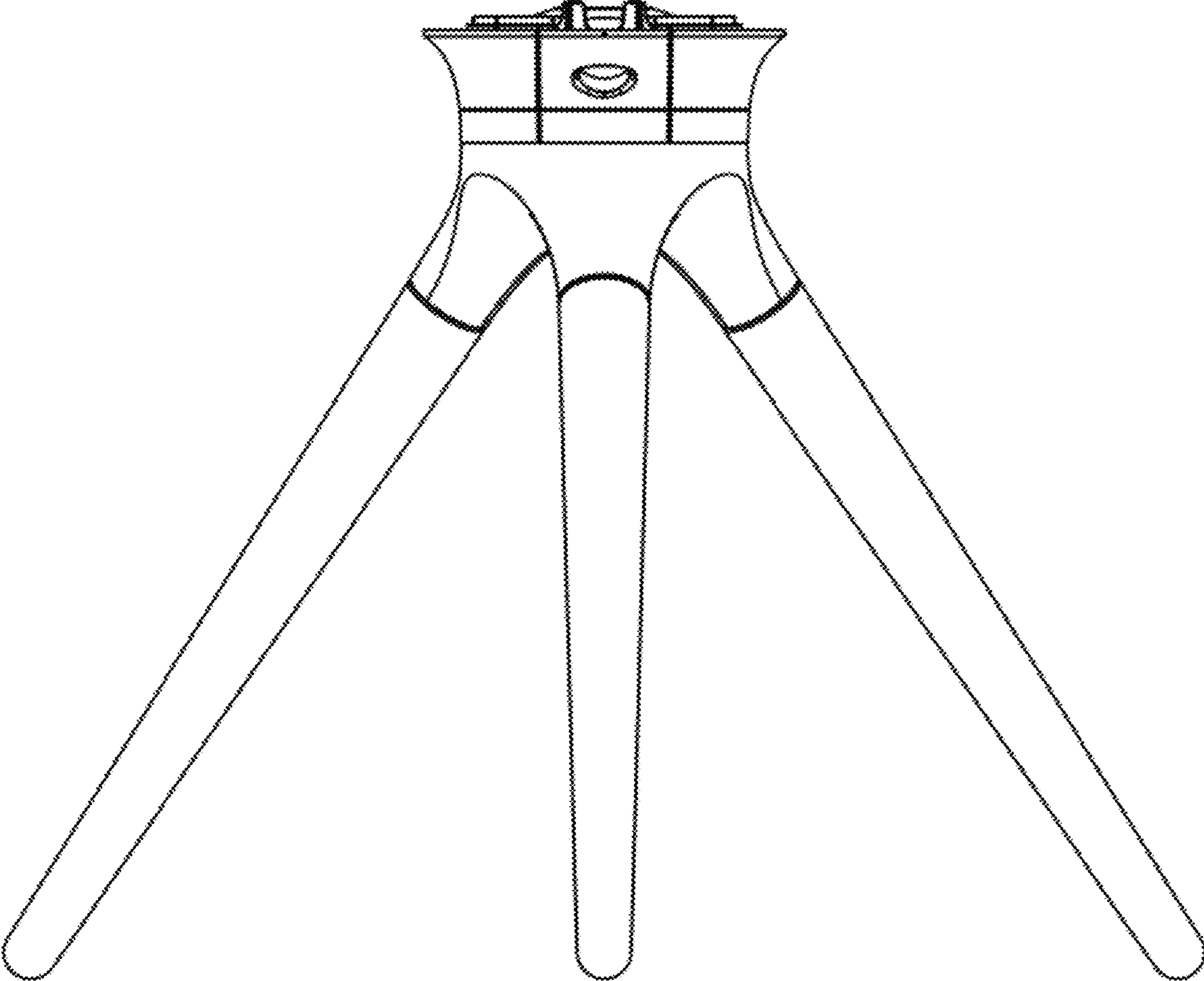
1.3



1.4



1.5



1.6

